



US00D889911S

(12) **United States Design Patent**  
**Godinger**

(10) **Patent No.:** **US D889,911 S**

(45) **Date of Patent:** **\*\* Jul. 14, 2020**

- (54) **AIRPLANE BEVERAGE DECANTER WITH STAND**
- (71) Applicant: **Godinger Silver Art, Ltd.**, Ridgewood, NY (US)
- (72) Inventor: **Arnold Godinger**, Brooklyn, NY (US)
- (73) Assignee: **GODINGER SILVER ART, LTD.**, Ridgewood, NY (US)
- (\*\*) Term: **15 Years**
- (21) Appl. No.: **29/718,923**
- (22) Filed: **Dec. 30, 2019**
- (51) **LOC (12) Cl.** ..... **07-01**
- (52) **U.S. Cl.**  
USPC ..... **D7/599; D7/515**
- (58) **Field of Classification Search**  
USPC ..... 211/133.6; 229/116.4; D21/448;  
D7/507, 515, 505, 300, 301, 599, 590;  
D9/673, 674  
CPC ..... B65D 81/368; F21V 21/096  
See application file for complete search history.

D306,113 S *	2/1990	McCarron	.....	D21/420
D308,281 S *	6/1990	Bergman	.....	D2/978
D312,667 S *	12/1990	Visco	.....	D21/448
D376,291 S	12/1996	Via et al.		
D394,090 S *	5/1998	Kato	.....	D21/448
D419,278 S *	1/2000	Knutson	.....	D21/448
D424,281 S *	5/2000	Jebber	.....	D2/869
D426,769 S *	6/2000	Chan	.....	D9/673
D431,773 S *	10/2000	Davis	.....	D11/131
D587,057 S	2/2009	Mandel		
D588,807 S *	3/2009	Azman	.....	D19/80
D606,795 S *	12/2009	Liao	.....	D7/300
7,654,441 B2 *	2/2010	Billen	.....	B65D 81/368 229/116.4
D614,432 S *	4/2010	Liao	.....	D7/300
D655,572 S *	3/2012	Evans	.....	D7/507
D754,536 S	4/2016	Arriaga		
D824,263 S	7/2018	Hirschhorn		
D837,587 S *	1/2019	Villalovos	.....	D7/388
D851,454 S	6/2019	Lefkowitz		
D861,432 S *	10/2019	Ou	.....	D7/507

(Continued)

*Primary Examiner* — Cynthia R Underwood  
(74) *Attorney, Agent, or Firm* — Cozen O'Connor

(57) **CLAIM**

The ornamental design for an airplane beverage decanter with stand, as shown and described.

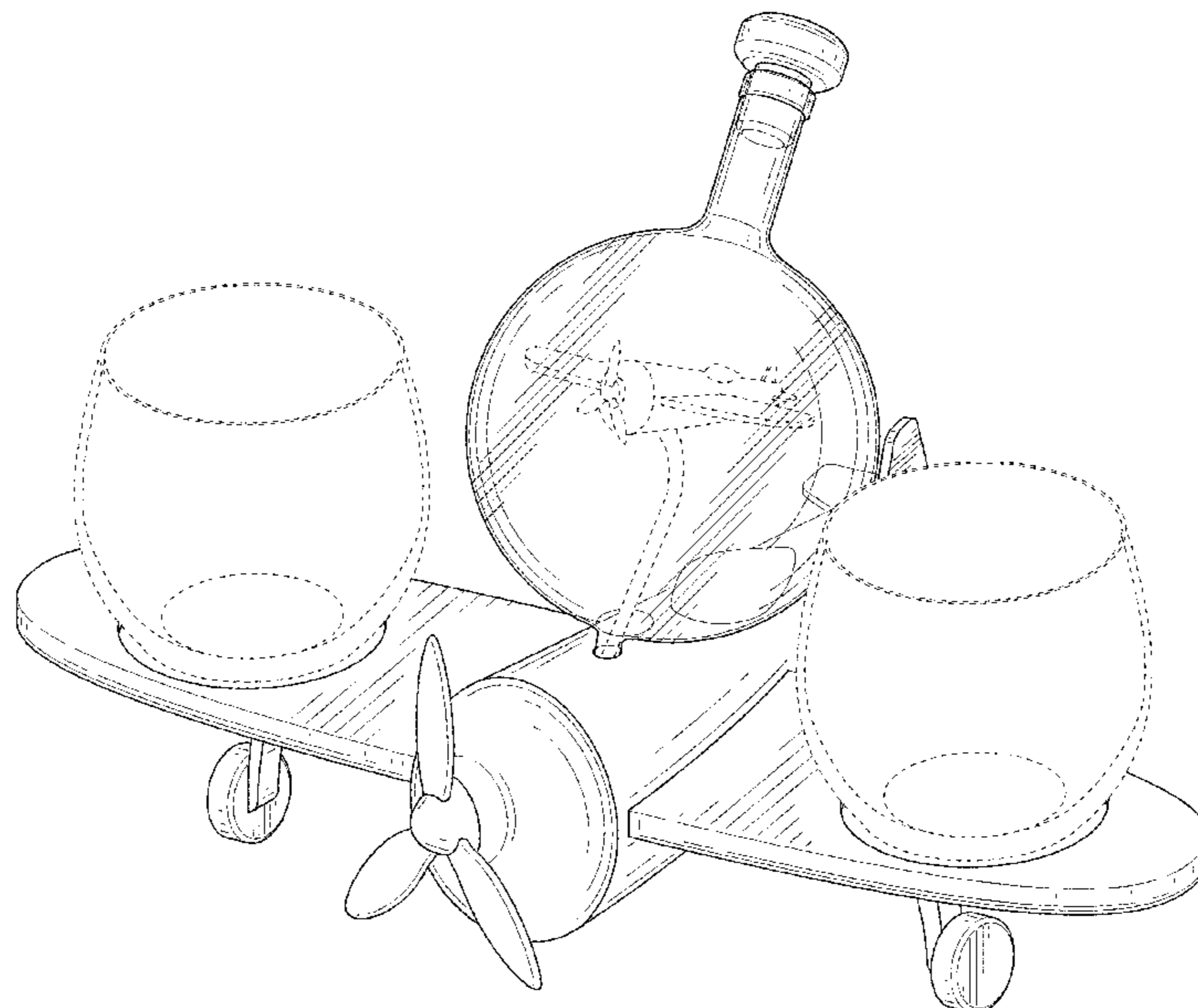
**DESCRIPTION**

FIG. 1 is a perspective view of an airplane decanter with stand in accordance with my new design;  
FIG. 2 is a front view thereof;  
FIG. 3 is a rear view thereof;  
FIG. 4 is a left side view, thereof;  
FIG. 5 is a right side view, thereof;  
FIG. 6 is a top view; and,  
FIG. 7 is a bottom view.  
The portions shown in dashed lines form no part of the claimed design.

**1 Claim, 6 Drawing Sheets**

(56) **References Cited**  
U.S. PATENT DOCUMENTS

D74,832 S	6/1927	Hamilton		
D75,747 S	1/1928	Popper		
D75,473 S *	6/1928	Branston	.....	D7/301
D85,826 S *	12/1931	Hoffman	.....	D9/673
D101,584 S *	10/1936	Hoffman	.....	D7/675
D113,053 S	8/1938	Stough		
D129,167 S	6/1941	Grunberg		
D138,778 S *	9/1944	Millstein	.....	D9/673
D160,533 S *	10/1950	Pinkos	.....	D7/594
3,368,693 A *	2/1968	Bochory	.....	F21V 21/096 211/133.6
D231,478 S *	4/1974	Lee	.....	D21/448
D305,592 S *	1/1990	Harris	.....	D7/567



(56)

**References Cited**

U.S. PATENT DOCUMENTS

D864,746 S \* 10/2019 Franco ..... D9/673  
D871,142 S \* 12/2019 McLean ..... D7/505  
D873,671 S \* 1/2020 Altieri ..... D9/680

\* cited by examiner

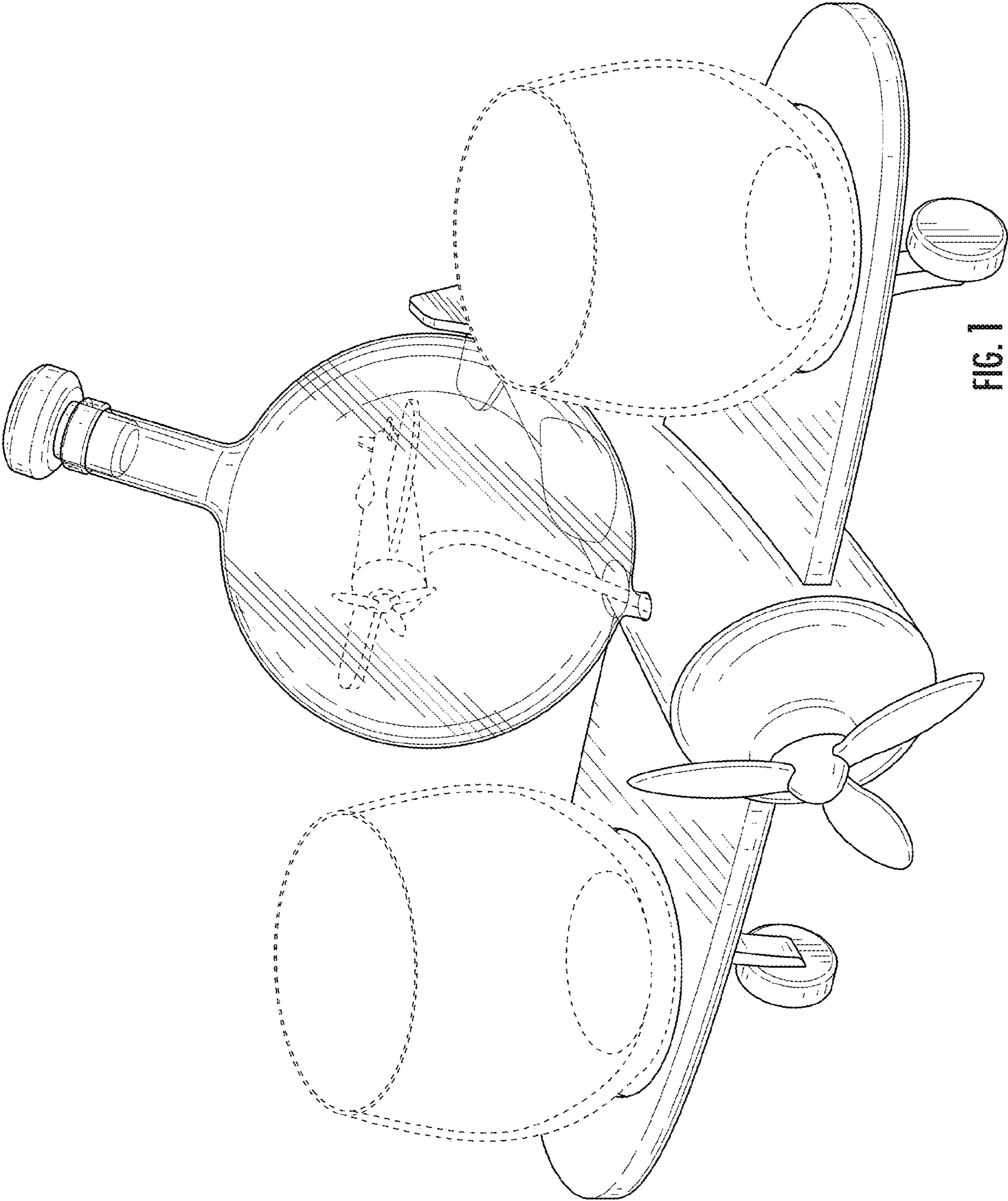
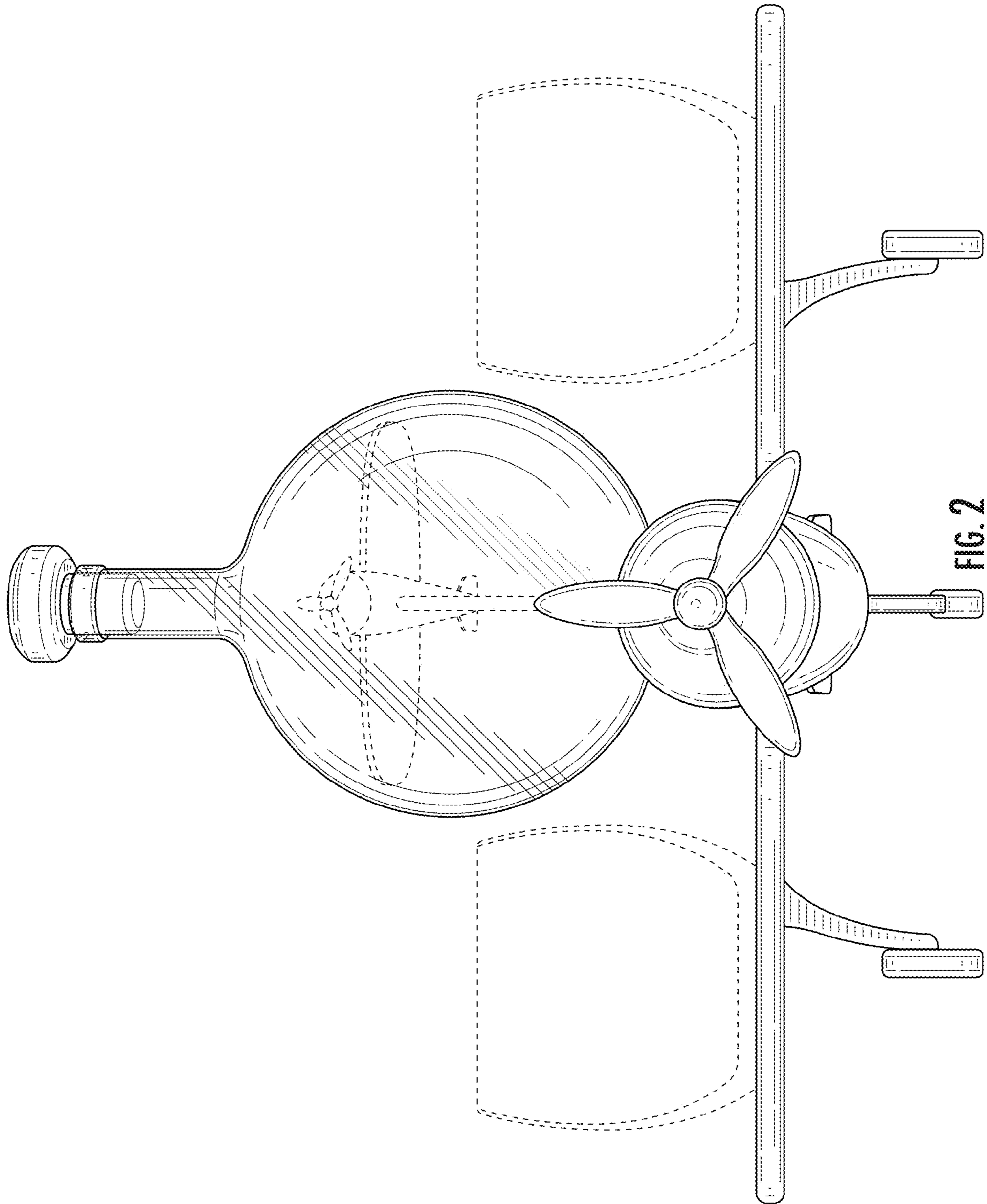
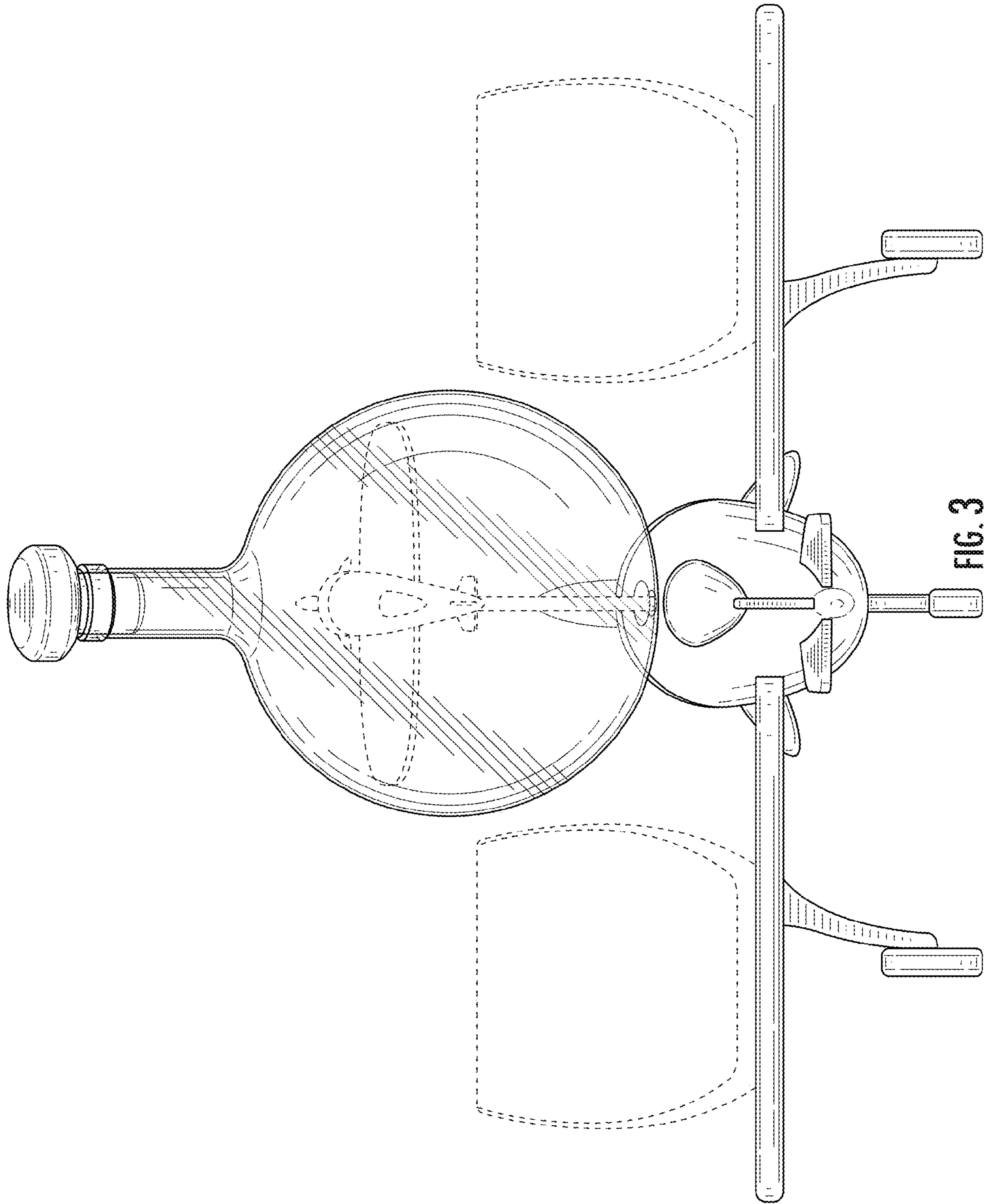


FIG. 1





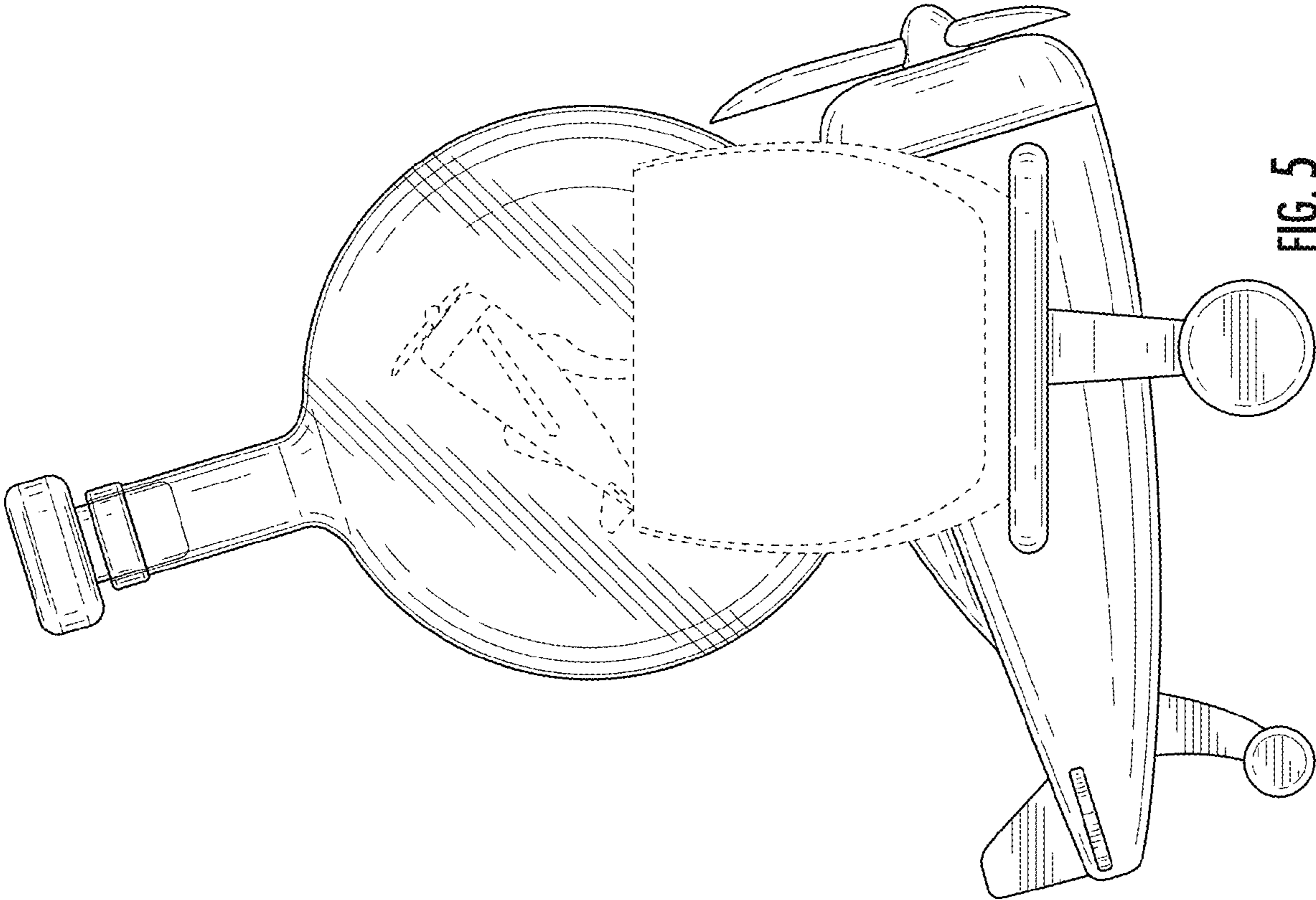


FIG. 5

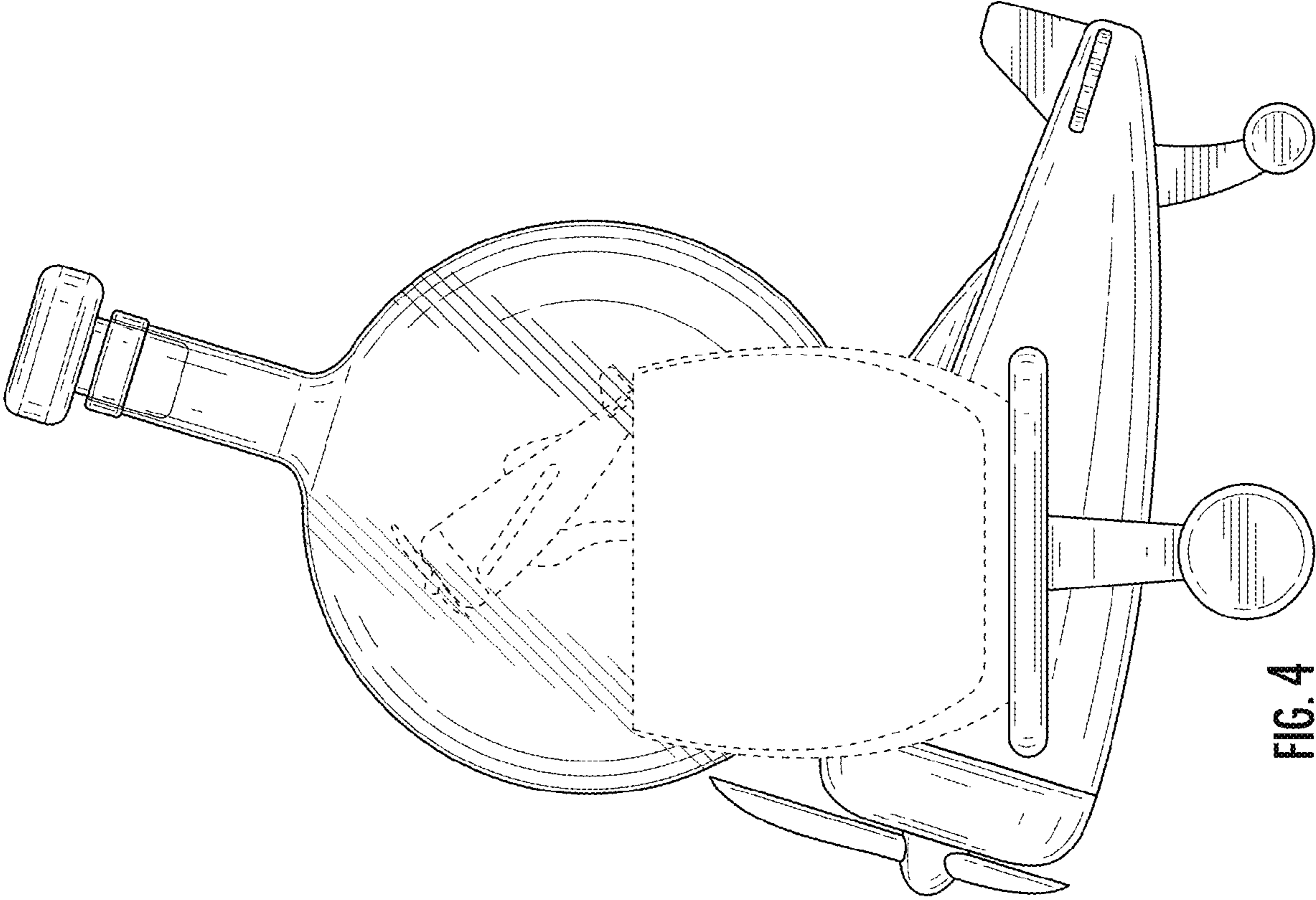


FIG. 4

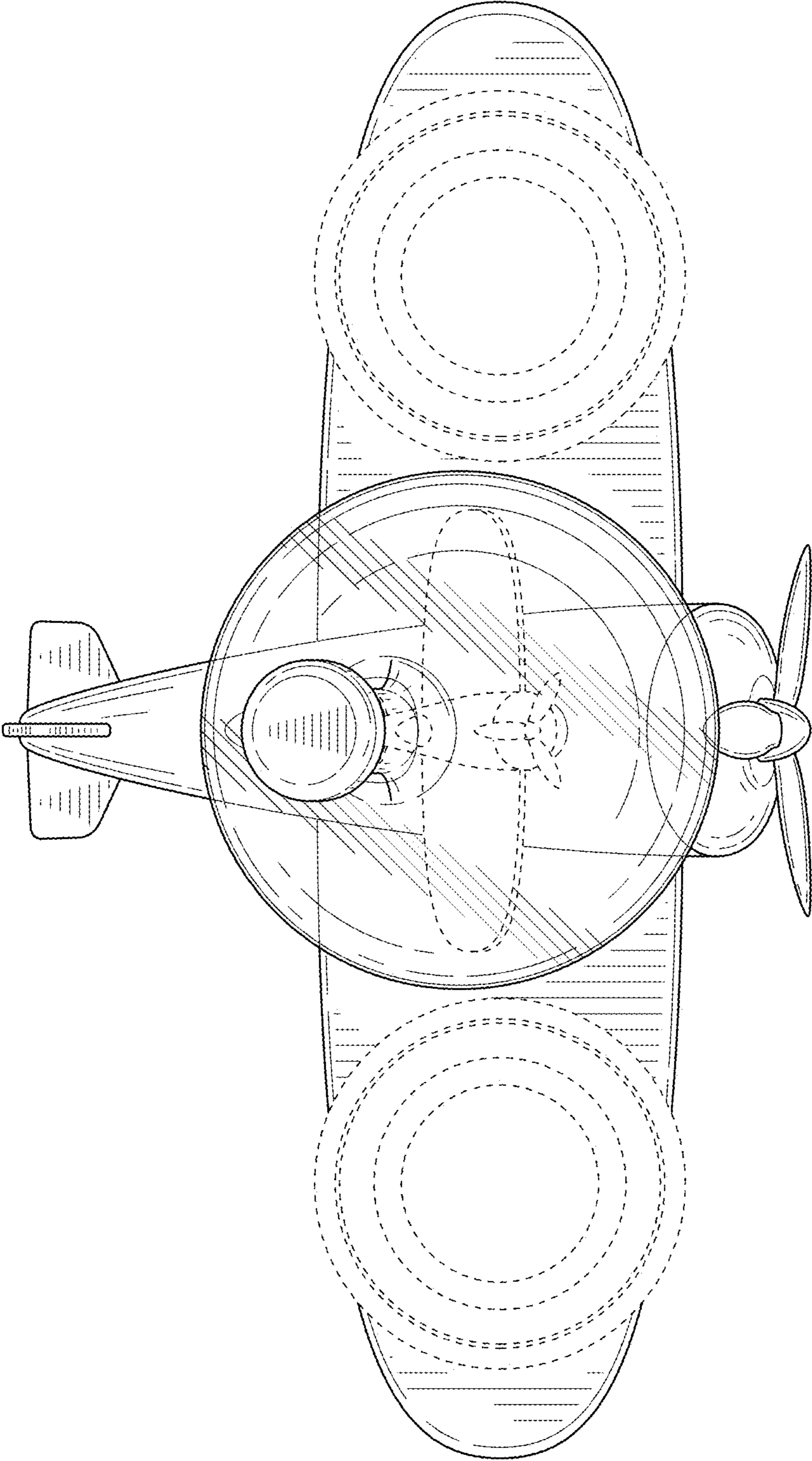


FIG. 6

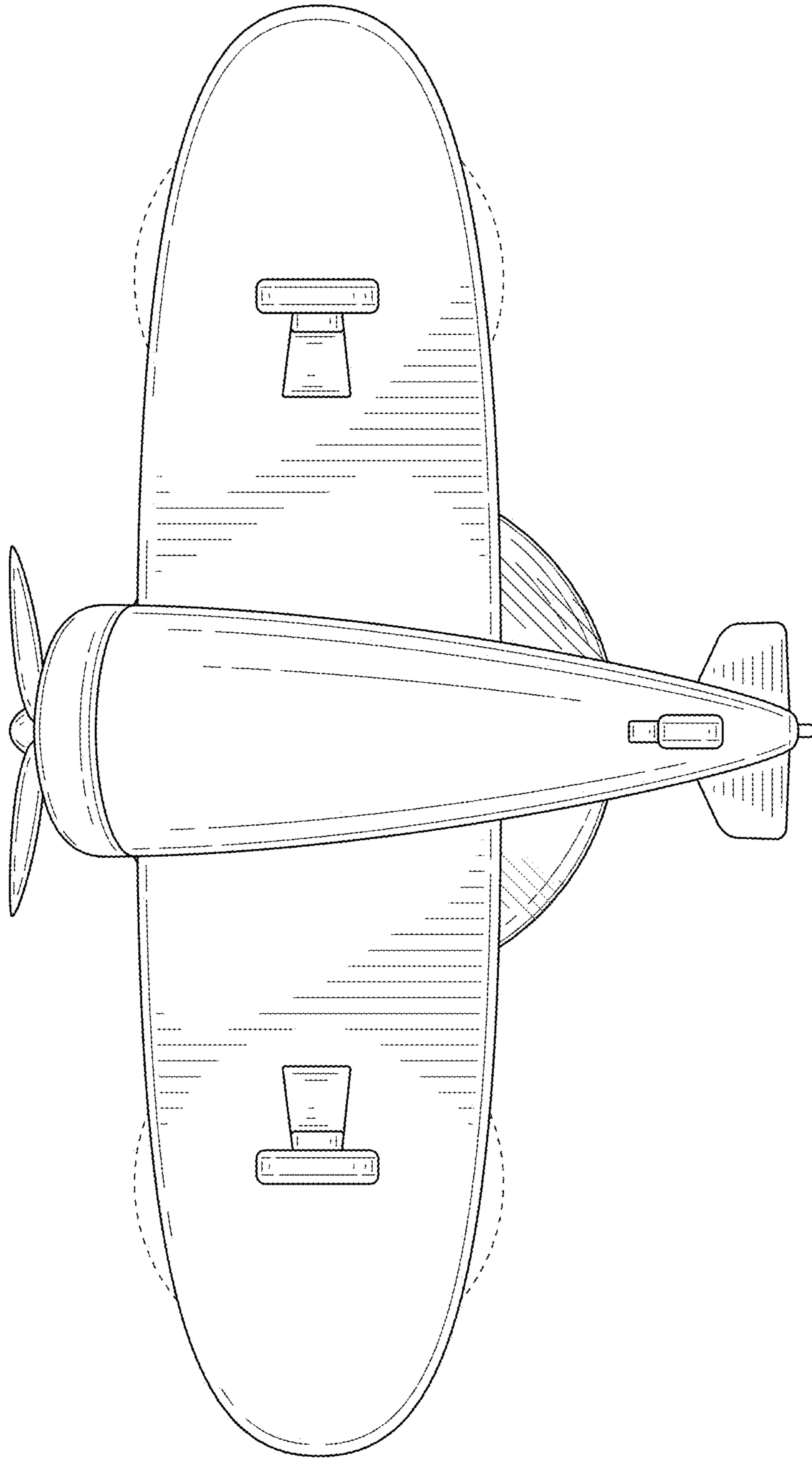


FIG. 7