



US00D889910S

(12) **United States Design Patent**
Wang et al.

(10) **Patent No.:** **US D889,910 S**
(45) **Date of Patent:** **** Jul. 14, 2020**

(54) **GALLON WATER BOTTLE WITH FLIP CAP**

D838,598 S * 1/2019 Melkonian D9/531
D871,845 S * 1/2020 Huang D7/510
D881,647 S * 4/2020 Wang D7/510

(71) Applicant: **SHEN ZHEN QUICK FIT PLASTIC CO., LTD.**, Shenzhen (CN)

(72) Inventors: **Qi Wang**, Shenzhen (CN); **Hui Kang**, Shenzhen (CN)

(**) Term: **15 Years**

(21) Appl. No.: **29/693,778**

(22) Filed: **Jun. 5, 2019**

(51) **LOC (12) Cl.** **07-01**

(52) **U.S. Cl.**
USPC **D7/511**; D7/532; D7/536; D9/531

(58) **Field of Classification Search**
USPC D7/507, 509, 510, 511, 529, 531, 532, D7/523, 533, 534, 535, 536, 392.1, 296.1, D7/396.2; D9/531, 503, 516, 517, 435; D3/202
CPC A47G 19/22; A47G 19/2288; A47G 19/2205; A47G 19/2266; A45F 3/16
See application file for complete search history.

(56) **References Cited**

U.S. PATENT DOCUMENTS

D476,850 S * 7/2003 Featherston D7/510
D504,319 S * 4/2005 Crawford D9/531
D529,339 S * 10/2006 Carreno D7/511
D747,146 S * 1/2016 Struckmeier D7/510
D802,433 S 11/2017 Ozamiz et al.
D805,350 S 12/2017 Cetera
D805,846 S * 12/2017 Kirkpatrick D7/510

OTHER PUBLICATIONS

https://www.amazon.com/QuiFit-Strainer-Infuser-Fitness-Enthusiasts/dp/B07VS22T71/ref=sr_1_7?dchild=1&keywords=QuiFit+Motivational+Gallon+Water+Bottle+with+Time+Marker&qid=1588190842&sr=8-7 (Year: 2019).*

* cited by examiner

Primary Examiner — Jae Liang

(74) *Attorney, Agent, or Firm* — Erson IP (Nelson IP)

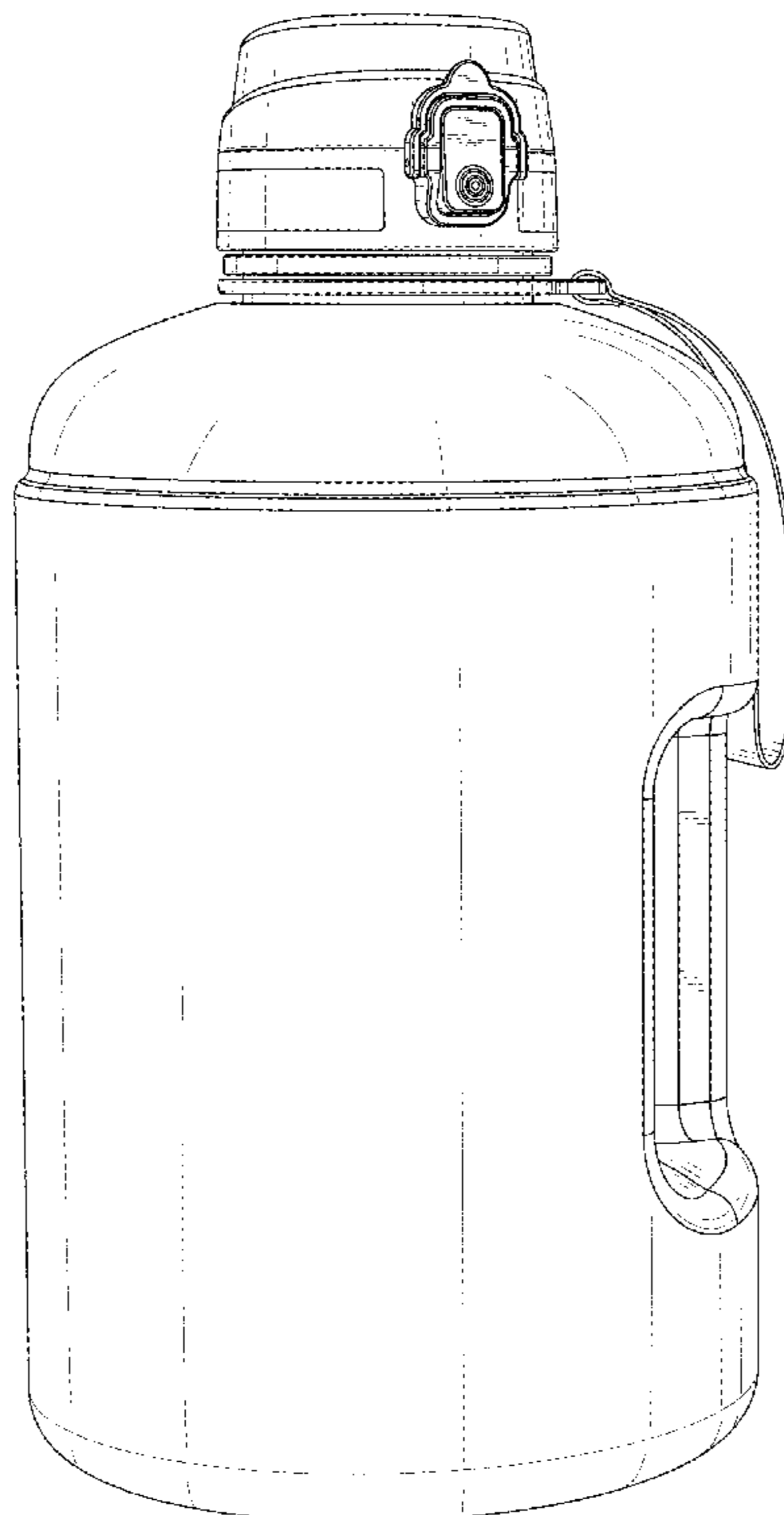
(57) **CLAIM**

The ornamental design for a gallon water bottle with flip cap, as shown and described.

DESCRIPTION

FIG. 1 is a perspective view of a gallon water bottle with flip cap showing my new design; FIG. 2 is a front view thereof; FIG. 3 is a rear view thereof; FIG. 4 is a left side view thereof; FIG. 5 is a right side view thereof; FIG. 6 is a top plan view thereof; and, FIG. 7 is a bottom plan, view thereof. The broken lines arc for the purposes of illustrating portions of the gallon water bottle with flip cap and form no part of the claimed design.

1 Claim, 7 Drawing Sheets



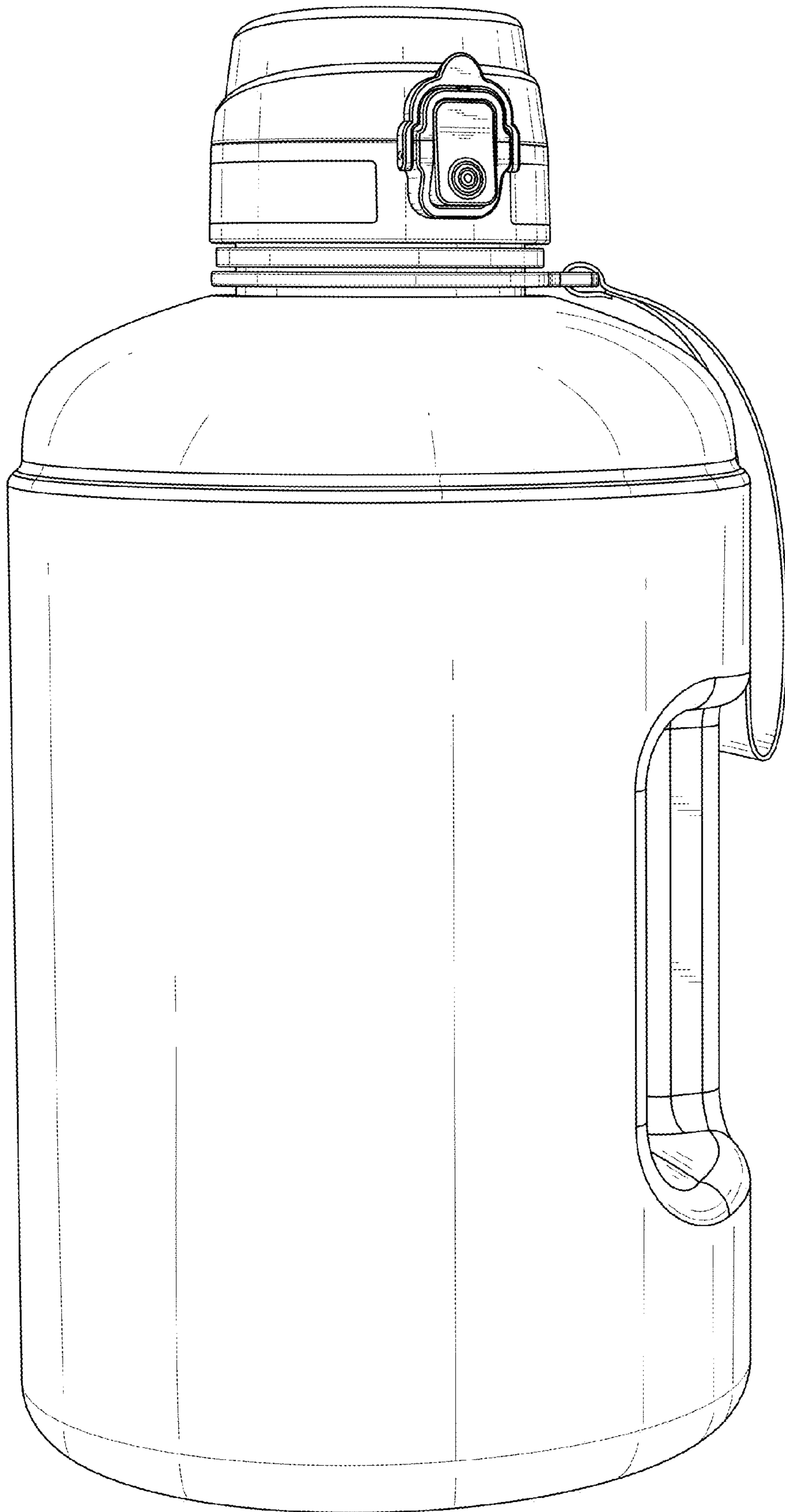


FIG. 1

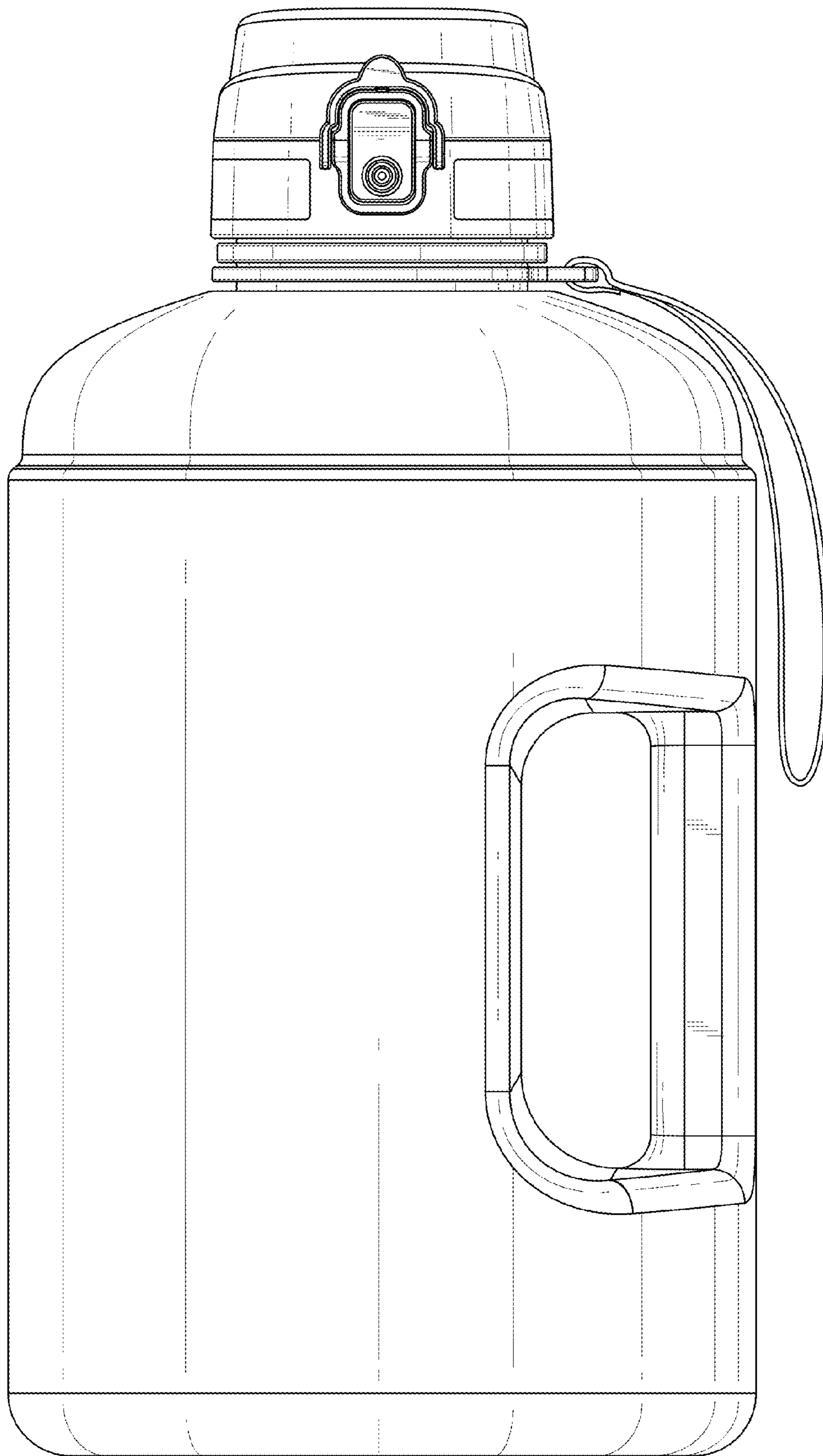


FIG. 2

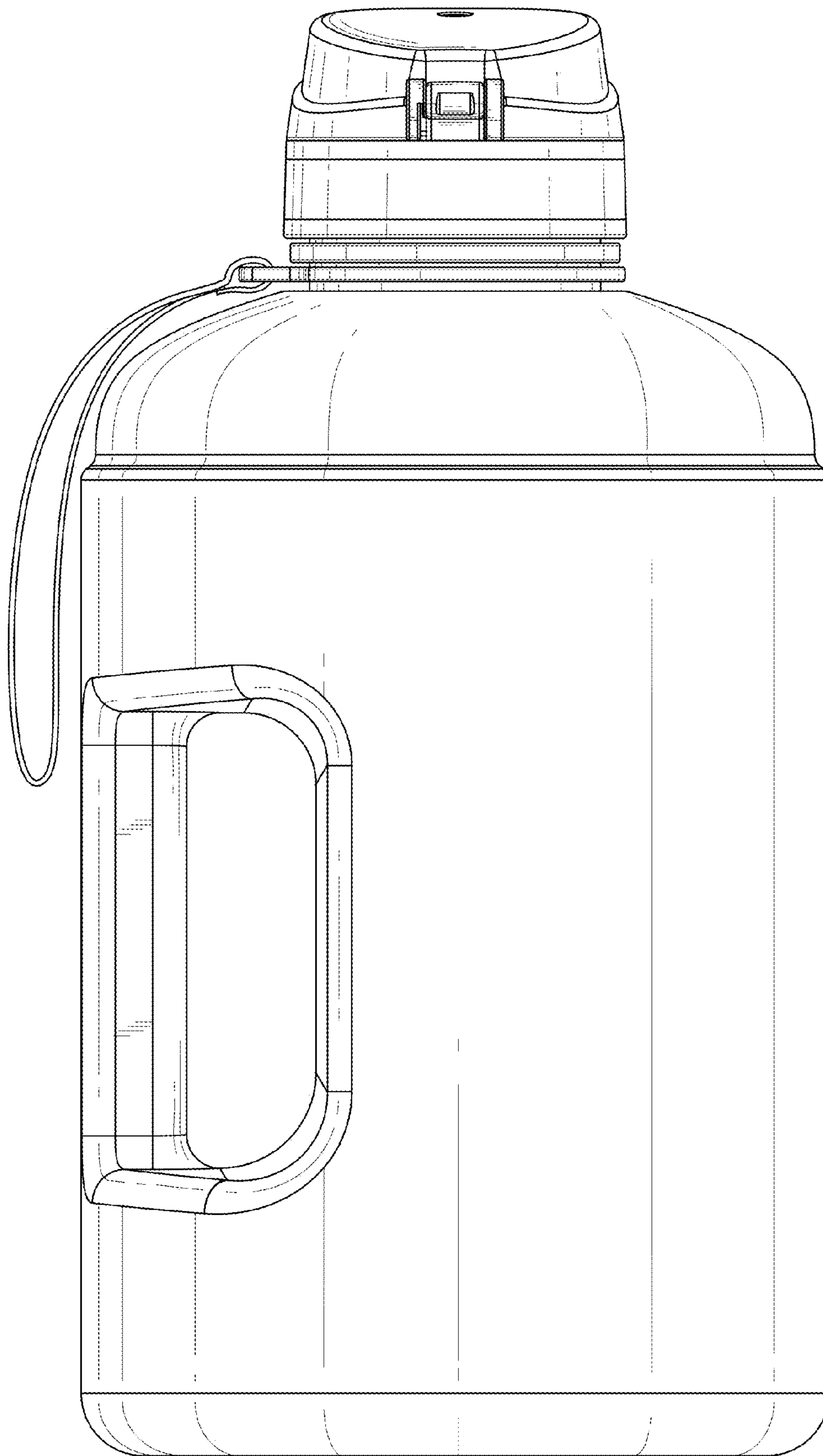


FIG. 3

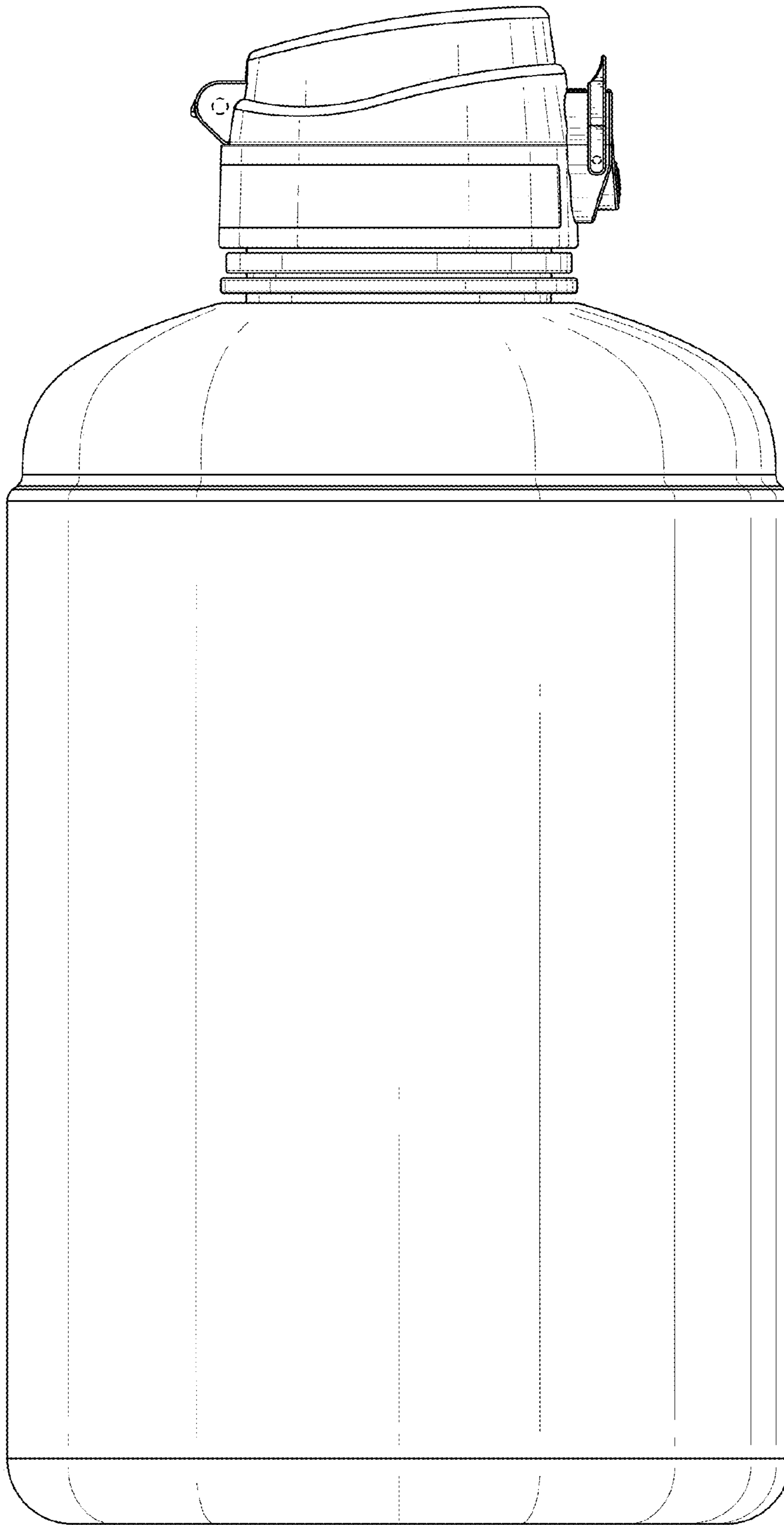


FIG. 4

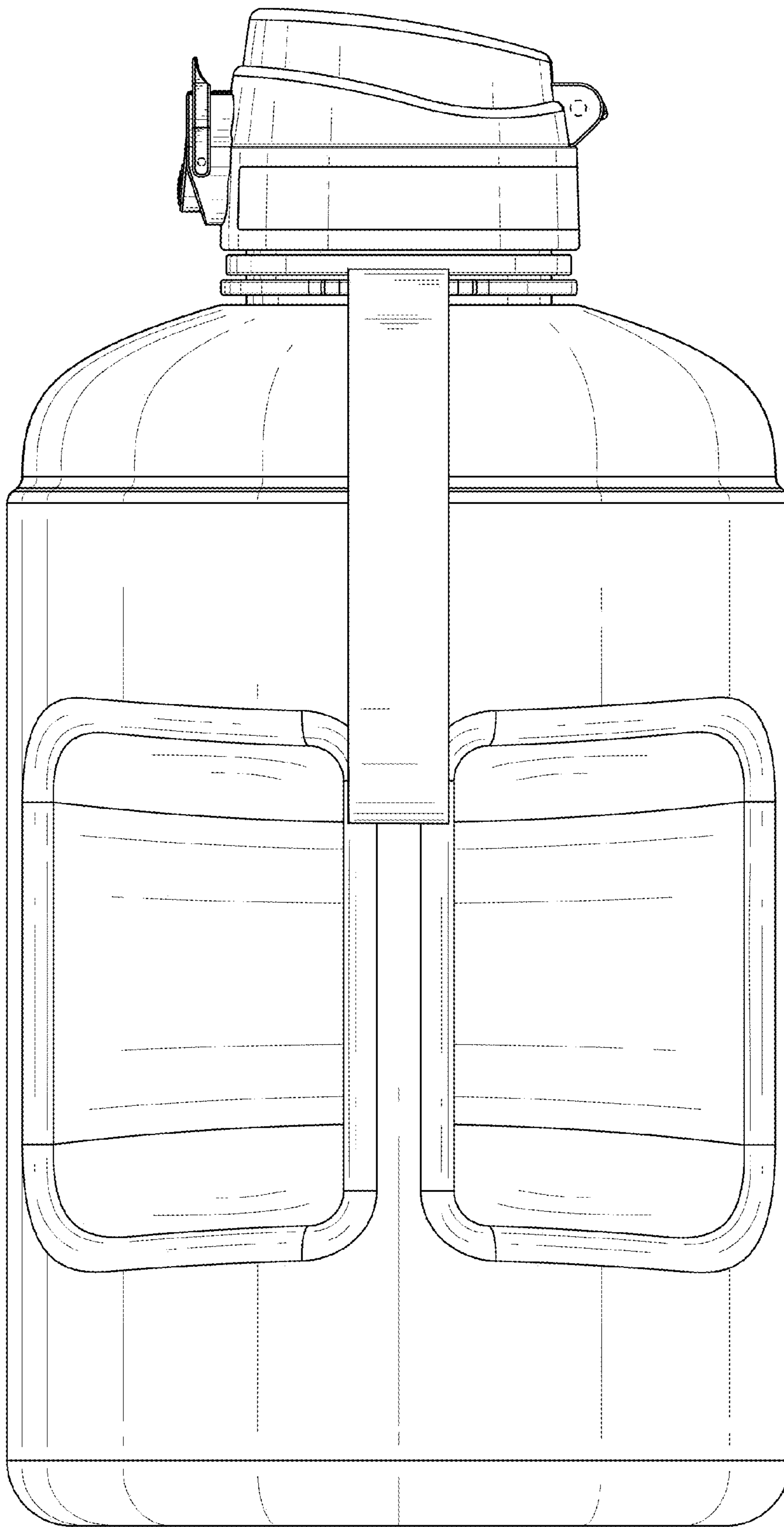


FIG. 5

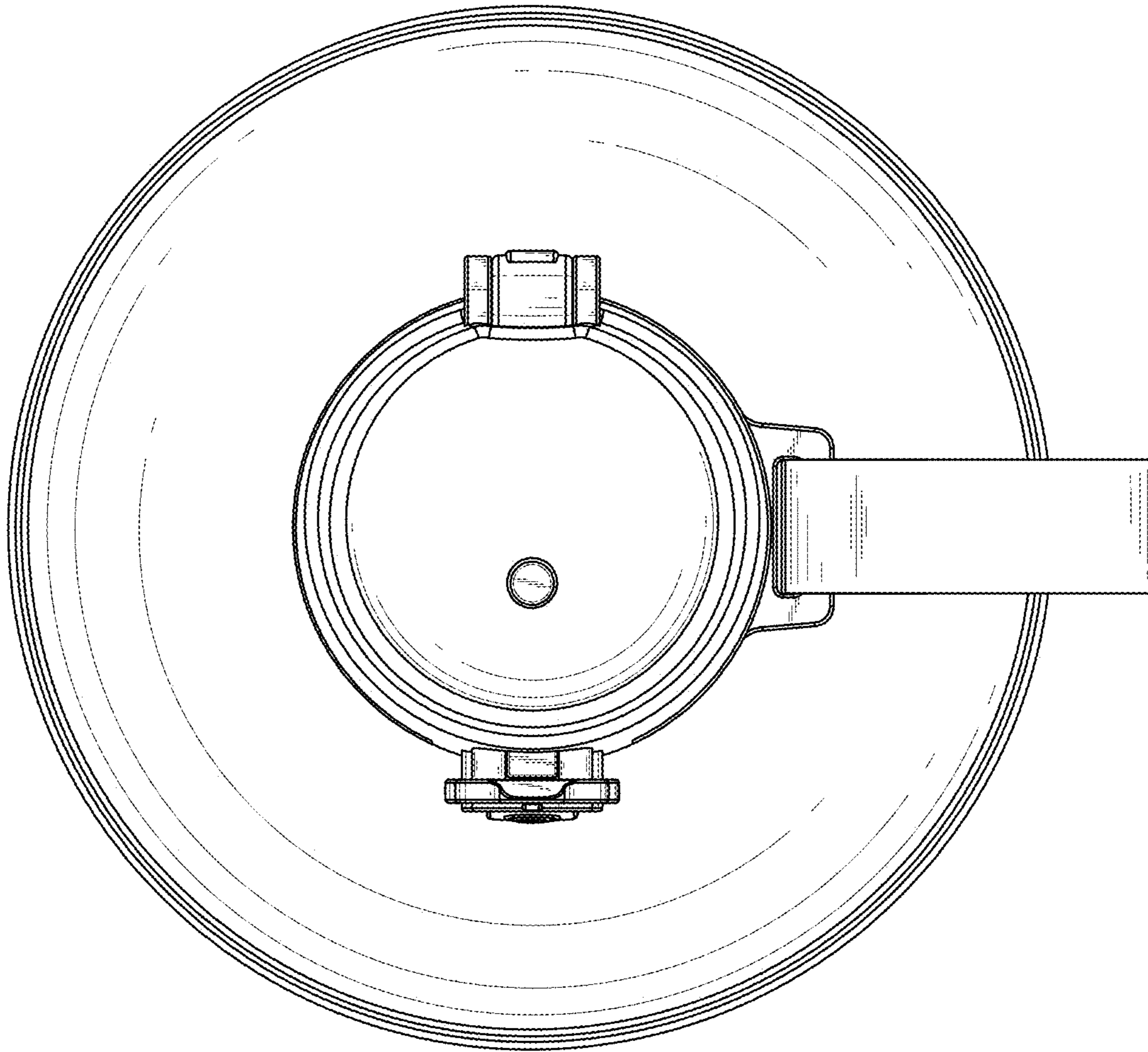


FIG. 6

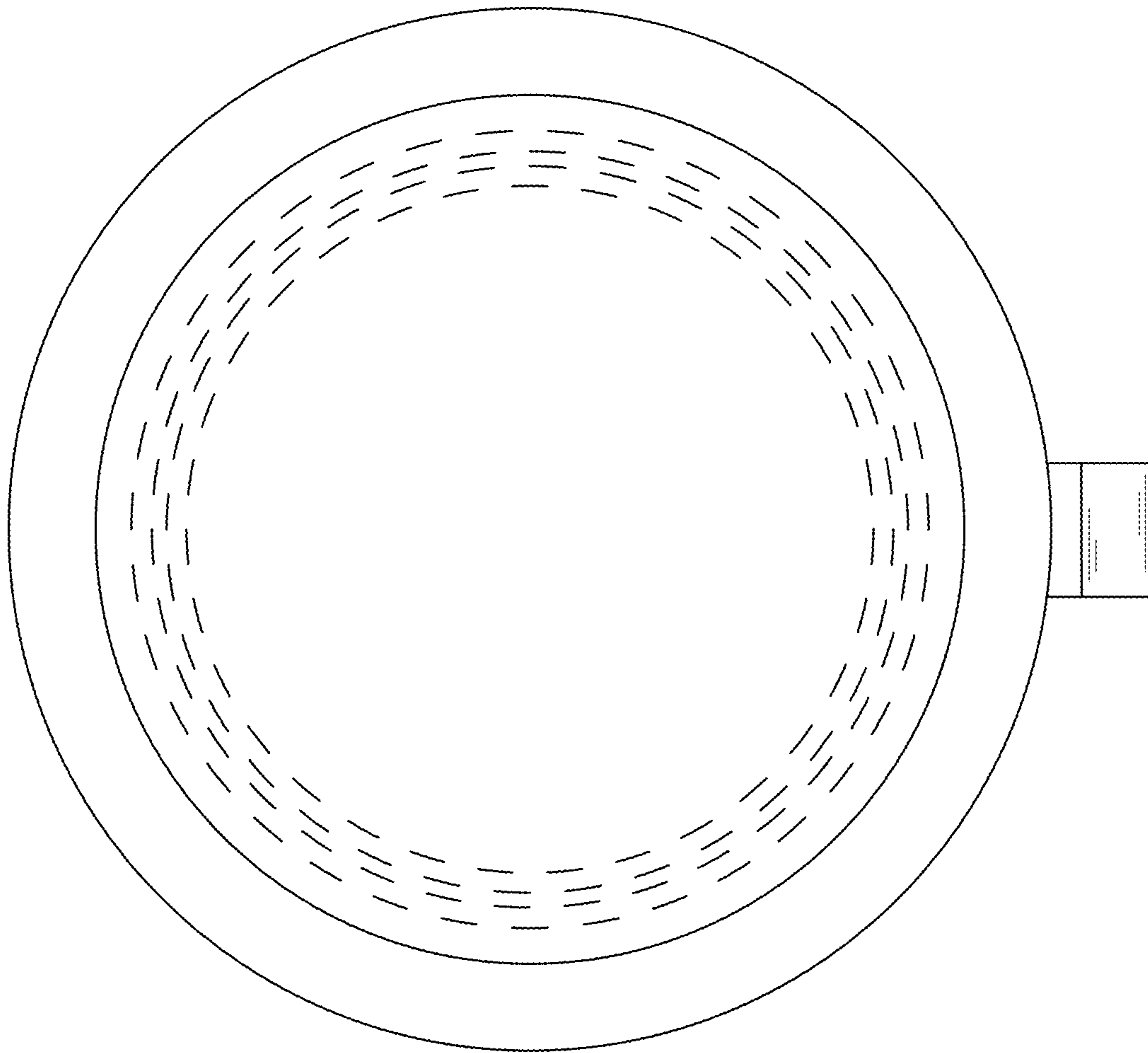


FIG. 7