



US00D889908S

(12) **United States Design Patent**
Romzek

(10) **Patent No.:** **US D889,908 S**

(45) **Date of Patent:** **** Jul. 14, 2020**

- (54) **WIRE RING DEVICE THAT COMBINES WITH A CHARCOAL GRATE TO FORM A SHAKABLE BASKET**
- (71) Applicant: **Chadwick Irvin Romzek**, Neenah, WI (US)
- (72) Inventor: **Chadwick Irvin Romzek**, Neenah, WI (US)
- (**) Term: **15 Years**
- (21) Appl. No.: **29/680,269**
- (22) Filed: **Feb. 14, 2019**
- (51) **LOC (12) Cl.** **07-02**
- (52) **U.S. Cl.**
USPC **D7/409; D7/354**
- (58) **Field of Classification Search**
USPC D3/306; D7/323, 332, 335-337, D7/354-355, 359-364, 387-388, 402, D7/407-409
CPC A21B 2/00; A21B 3/00; A21B 3/13; A21B 3/15; A21B 5/00; A21B 5/02; A23N 12/06; A23N 12/08; A23N 12/10; A47J 27/04; A47J 36/22; A47J 37/00; A47J 37/04; A47J 37/041; A47J 37/042; A47J 37/06; A47J 37/0688; A47J 37/0694; A47J 37/07; A47J 37/0704; A47J 37/0786; A47J 37/10; A47J 47/16; A47J 47/20; A47J 2037/00; A47J 2037/06; A47J 2037/0611; A47J 2037/07; A47J 2037/0786; A47J 2037/0795; F24C 15/10; F24C 15/12; F24C 15/14; F24C 15/16; F24C 15/164; F24C 15/18
See application file for complete search history.

- D577,256 S * 9/2008 Schutte D7/409
- D671,286 S 11/2012 Pelosi
- D733,495 S * 7/2015 Tyson D7/354
- D748,437 S 2/2016 Goodman
- D751,186 S 3/2016 Romzek
- D755,012 S * 5/2016 Zemel D7/354
- 9,339,145 B1 * 5/2016 Owczarzak A47J 37/0786

(Continued)

Primary Examiner — Ricky Pham

(74) *Attorney, Agent, or Firm* — Jeffrey S. Sokol

(57) **CLAIM**

The ornamental design of a wire ring device that combines with a charcoal grate to form a shakable basket, as shown and described.

DESCRIPTION

FIG. 1 is a top perspective view showing the wire ring device, and further showing the charcoal grate in broken lines spaced from and aligned for receipt into the wire ring device;

FIG. 2 is a top plan view showing the wire ring device;

FIG. 3 is a bottom plan view showing the wire ring device;

FIG. 4 is a front elevation view showing the wire ring device;

FIG. 5 is a side elevation view showing the wire ring device; and,

FIG. 6 is a top perspective view showing the wire ring device with the charcoal grate shown in broken lines captured inside the wire ring device to form a shakable basket, and further showing charcoal in broken lines within the shakable basket.

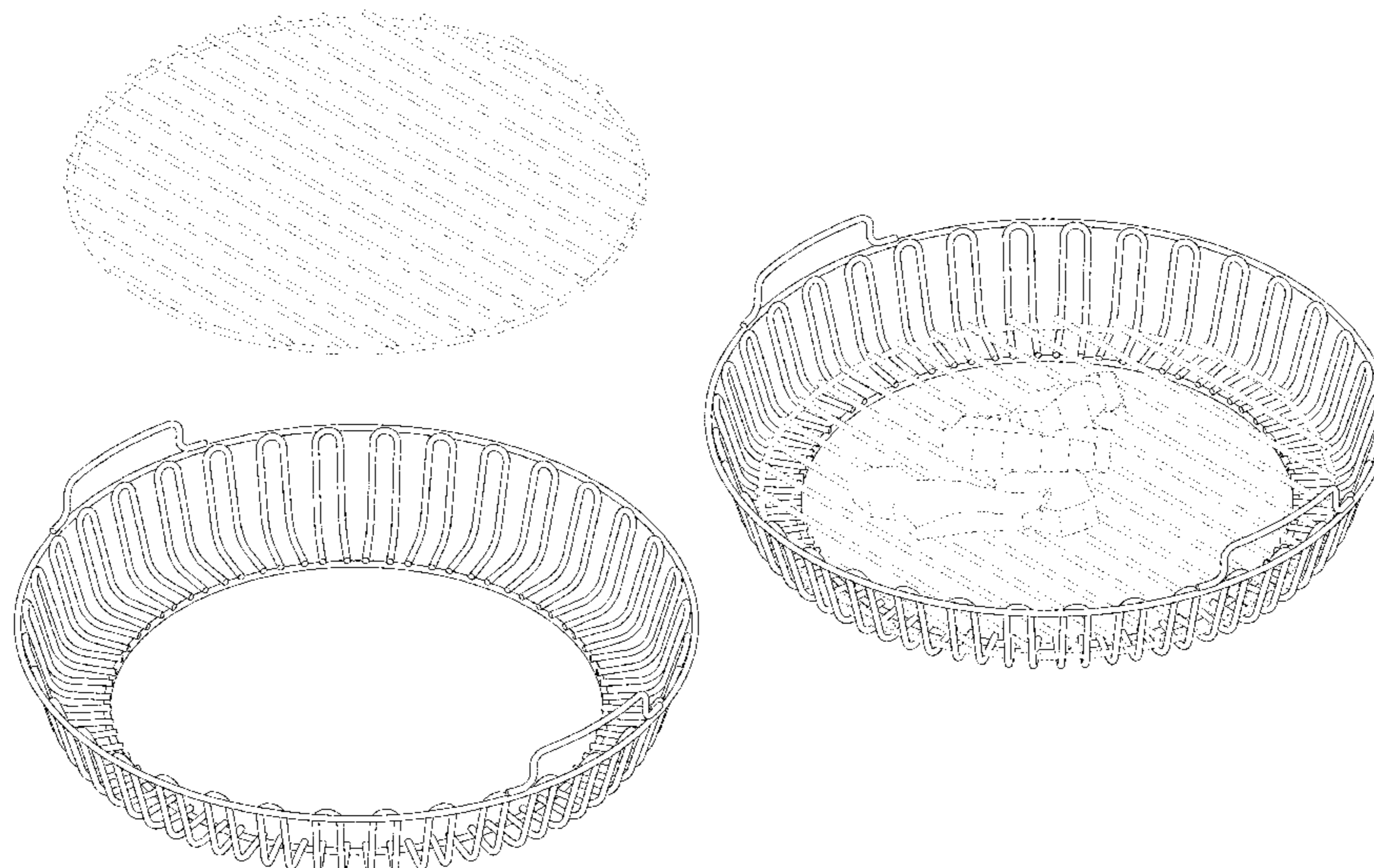
The rear elevation view opposite FIG. 4 is a mirror image. The side elevation view opposite FIG. 5 is a mirror image. The charcoal grate shown in broken lines in FIGS. 1 and 6 and the charcoal shown in broken lines in FIG. 6 illustrate environmental structure and form no part of the claimed inventive design.

1 Claim, 5 Drawing Sheets

(56) **References Cited**

U.S. PATENT DOCUMENTS

- 4,052,934 A * 10/1977 Shinman A47J 36/22 99/355
- 5,195,424 A * 3/1993 Guajaca A47J 27/04 126/348



(56)

References Cited

U.S. PATENT DOCUMENTS

D784,771 S	4/2017	Goodman	
D810,438 S	2/2018	Romzek	
D842,649 S *	3/2019	Mishan	D7/409
D858,193 S *	9/2019	Romzek	D7/409
D863,885 S *	10/2019	Woller	D7/409
D866,183 S *	11/2019	Romzek	D3/306
D878,860 S *	3/2020	Halasinski	D7/409
D880,938 S *	4/2020	Chen	D7/409
2014/0261379 A1 *	9/2014	Mehler	A47J 37/0694 126/25 R

* cited by examiner

FIG. 1

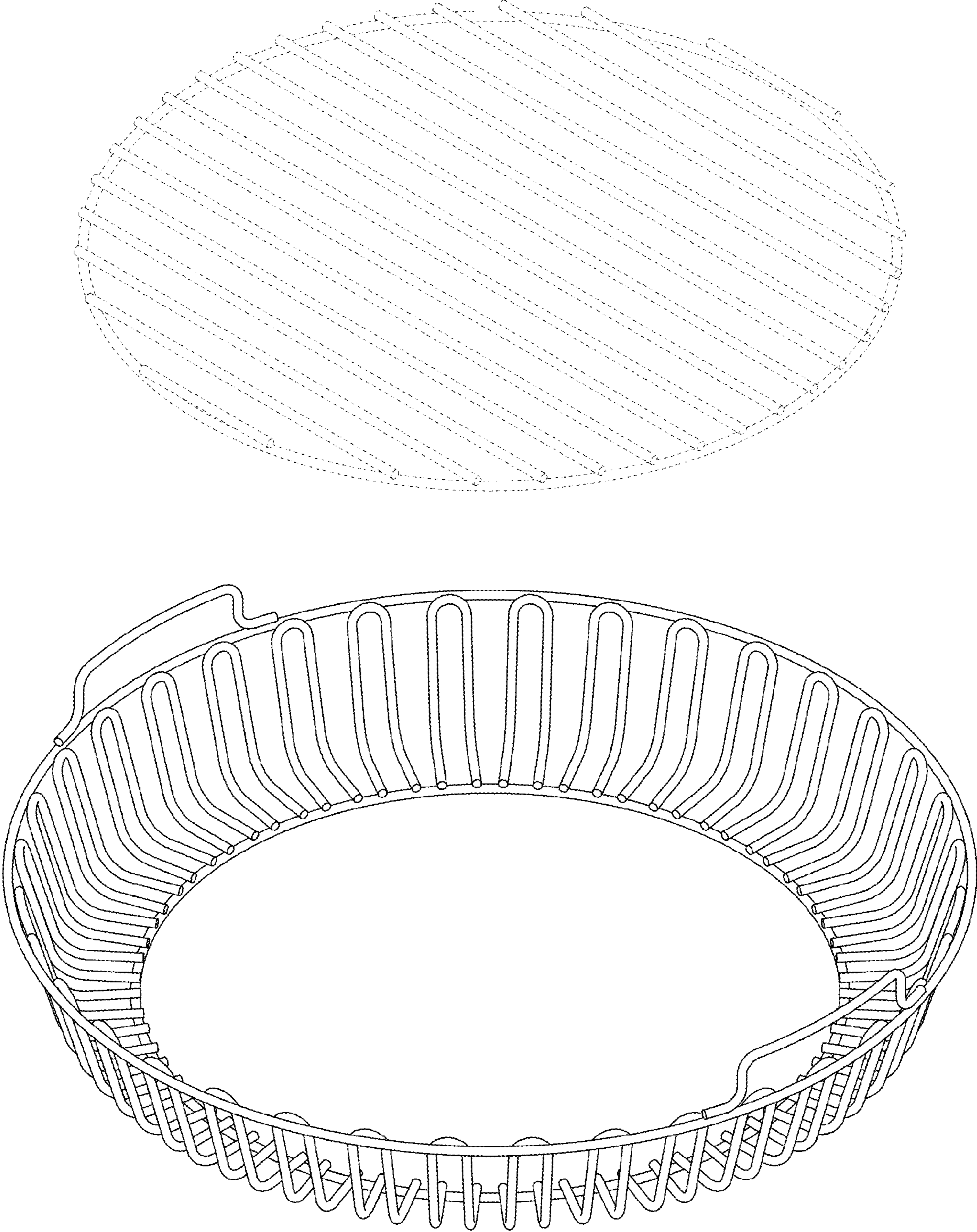


FIG. 2

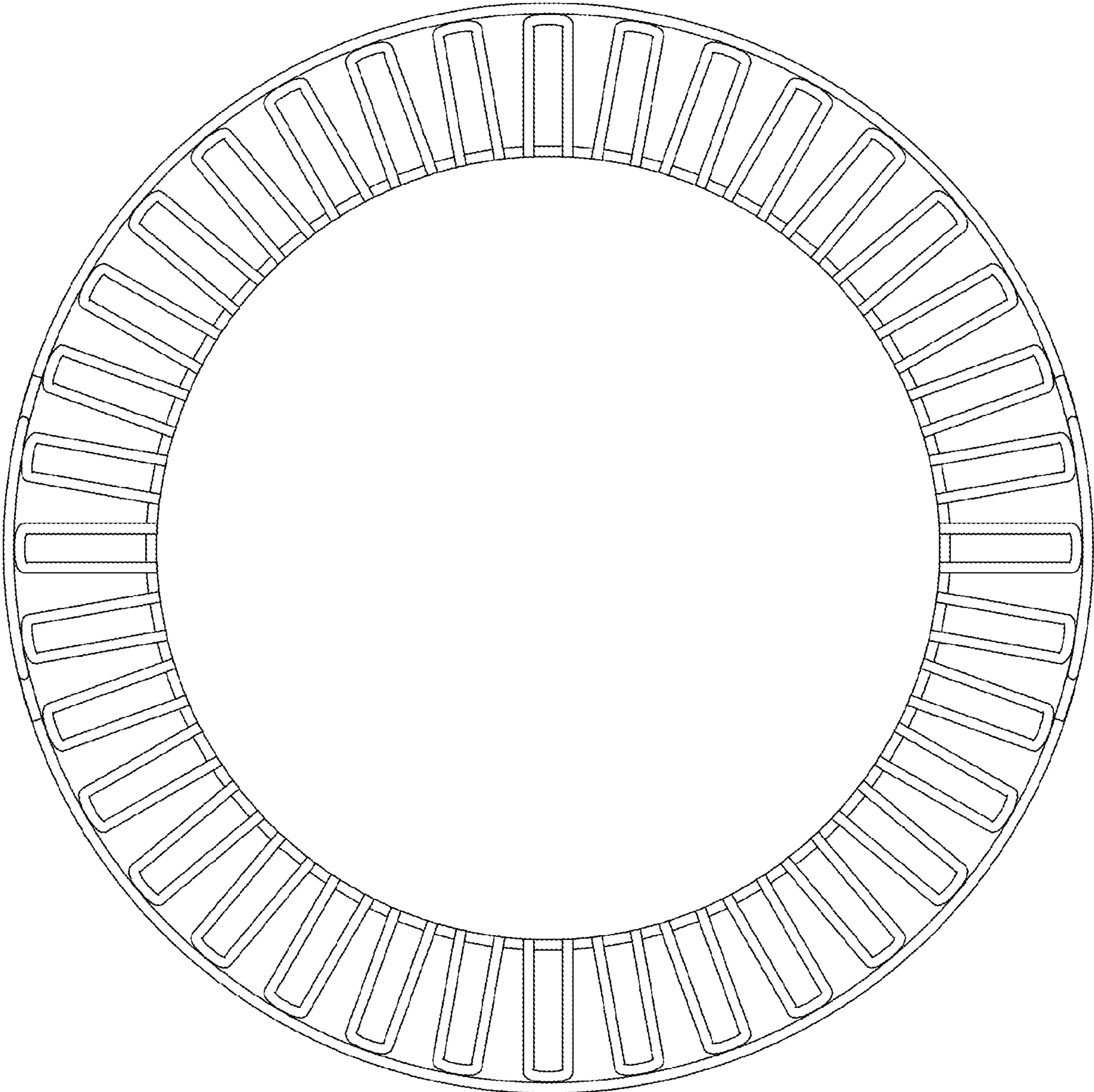


FIG. 3

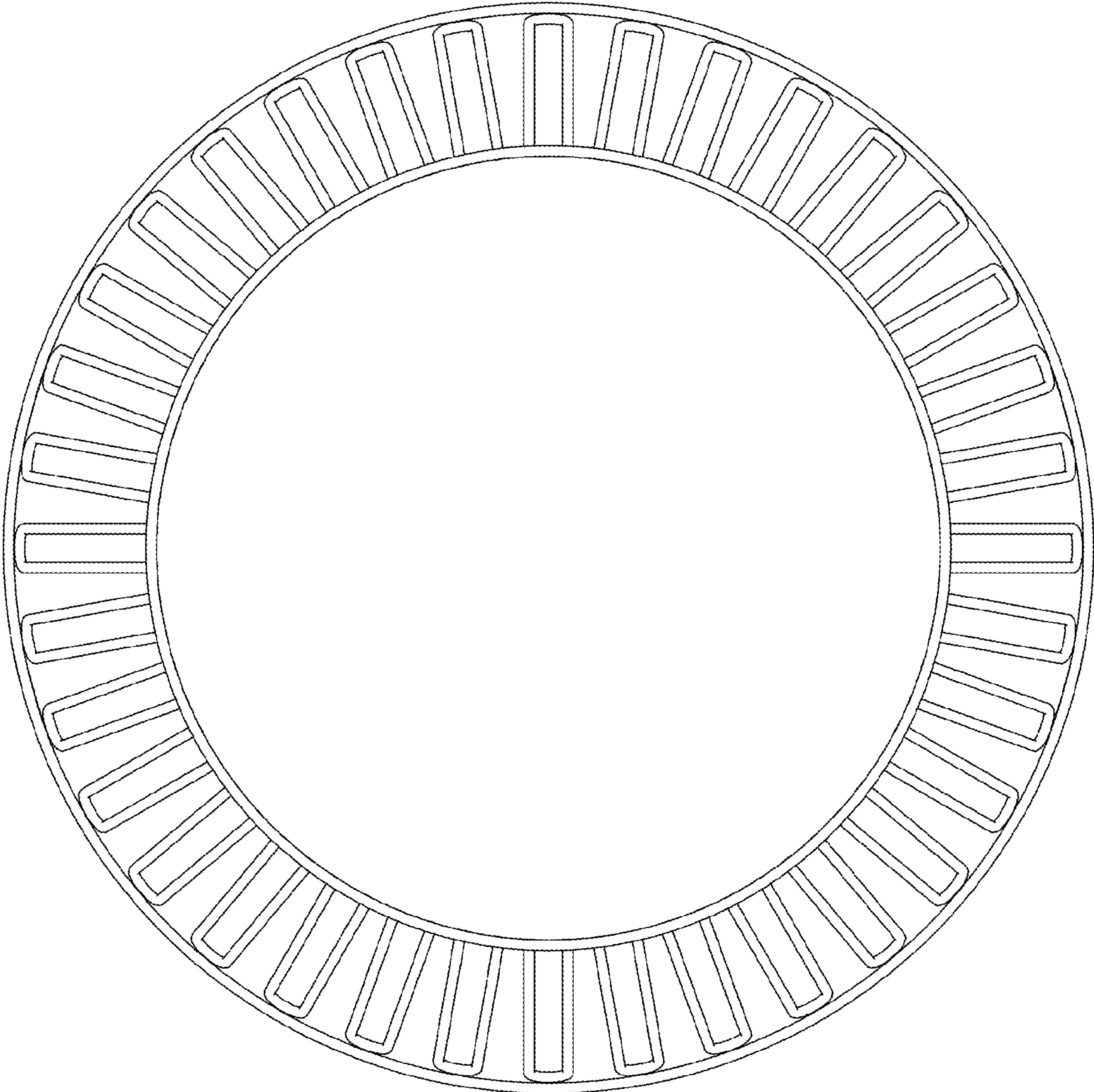


FIG. 4

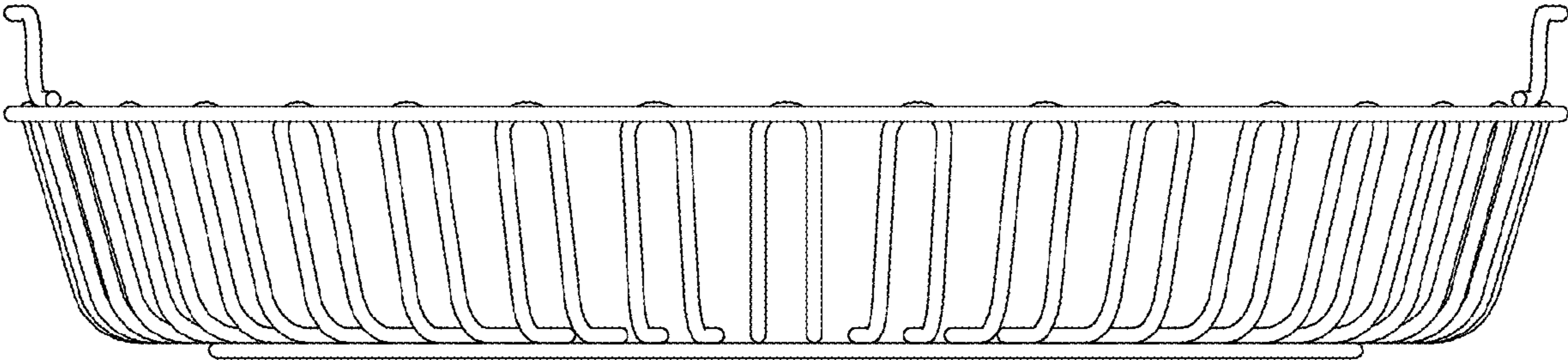


FIG. 5

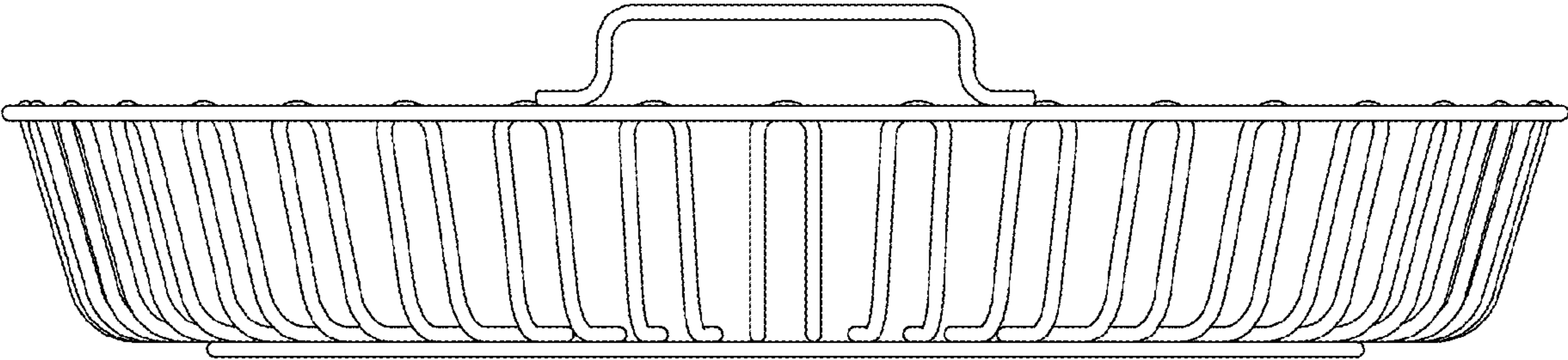


FIG. 6

