



US00D889906S

(12) **United States Design Patent**
Yin et al.

(10) **Patent No.:** **US D889,906 S**
(45) **Date of Patent:** **** Jul. 14, 2020**

- (54) **BURR GRINDER**
- (71) Applicant: **WHIRLPOOL CORPORATION**,
Benton Harbor, MI (US)
- (72) Inventors: **Zhao Yi Yin**, Benton Harbor, MI (US);
Ben C. Shao, Stevensville, MI (US);
John W. McConnell, St. Joseph, MI
(US); **Mansour Ourasanah**, Chicago,
IL (US)
- (73) Assignee: **Whirlpool Corporation**, Benton
Harbor, MI (US)
- (**) Term: **15 Years**
- (21) Appl. No.: **29/643,860**
- (22) Filed: **Apr. 12, 2018**
- (51) **LOC (12) Cl.** **07-01**
- (52) **U.S. Cl.**
USPC **D7/397; D7/373**
- (58) **Field of Classification Search**
USPC D7/300, 372, 373, 309-311, 306, 397;
D8/62
CPC A47J 42/08; A47J 42/50
See application file for complete search history.

(56) **References Cited**

U.S. PATENT DOCUMENTS

D343,758 S *	2/1994	Beeren	D7/309
D353,075 S *	12/1994	Littmann	D7/373
D483,221 S	12/2003	Ledingham et al.		
D500,427 S	1/2005	Fung		
D580,208 S *	11/2008	Cheng	D7/306
D653,905 S *	2/2012	Bodum	D7/373

D673,419 S	1/2013	De Pra		
D708,921 S *	7/2014	Hoare	D7/372
D764,863 S *	8/2016	Lee	D7/373
9,427,110 B2 *	8/2016	Hoare	A47J 42/08
D804,893 S *	12/2017	De' Longhi et al.	D7/373
D839,041 S *	1/2019	Vu	D7/373
D839,659 S *	2/2019	Cometti	D7/373
D849,464 S *	5/2019	McConnell	D7/310
D853,174 S *	7/2019	Zernhelt	D7/373
D861,407 S *	10/2019	Vu	D7/310
2010/0011975 A1 *	1/2010	Mazzer	A47J 42/54 99/538
2016/0235249 A1 *	8/2016	Teahan	A47J 42/38
2017/0138782 A1 *	5/2017	Beber	A47J 42/38
2018/0303288 A1 *	10/2018	Mazzer	A47J 42/40

* cited by examiner

Primary Examiner — Marianne N Pandozzi

(74) *Attorney, Agent, or Firm* — Price Heneveld LLP

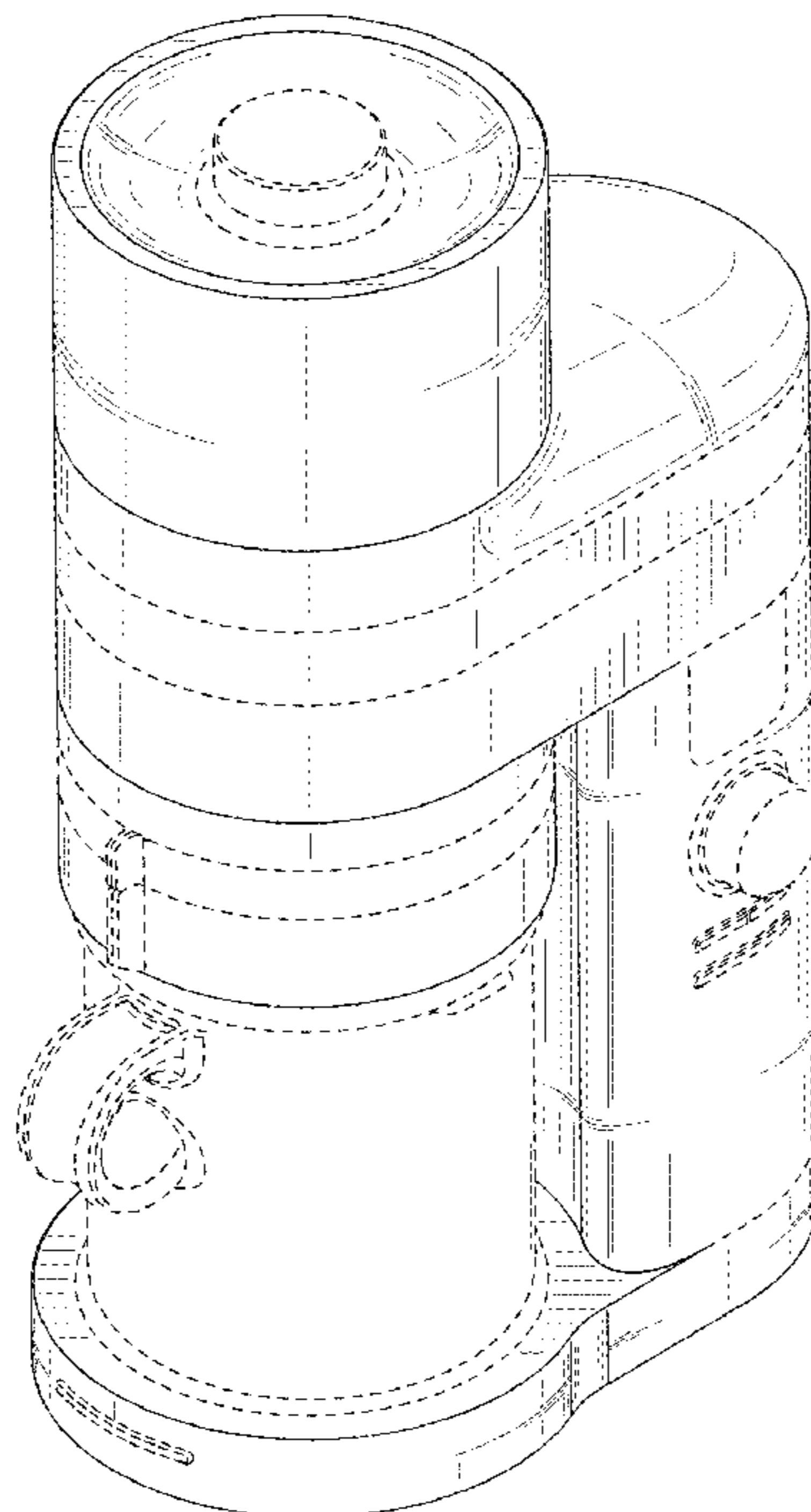
(57) **CLAIM**

The ornamental design for a burr grinder, as shown and described.

DESCRIPTION

FIG. 1 is a front perspective view of a burr grinder according to our design;
 FIG. 2 is a rear perspective view thereof;
 FIG. 3 is a front elevation view thereof;
 FIG. 4 is a back elevation view thereof;
 FIG. 5 is a left side elevation view thereof;
 FIG. 6 is a right side elevation view thereof;
 FIG. 7 is a top plan view thereof; and,
 FIG. 8 is a bottom plan view thereof.
 The broken lines in the drawing depict portions of the burr grinder that form no part of the claimed design.

1 Claim, 8 Drawing Sheets



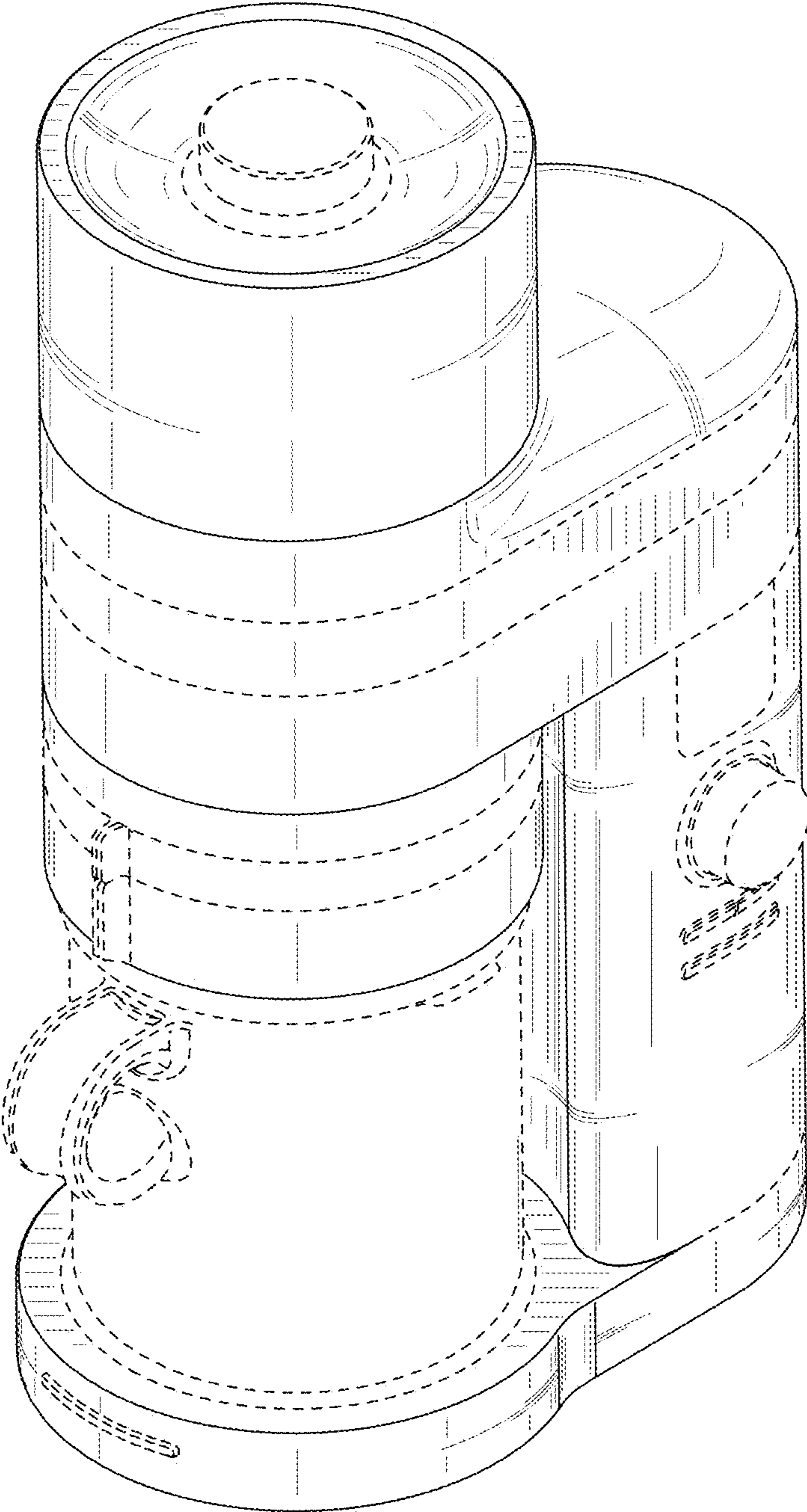


FIG. 1

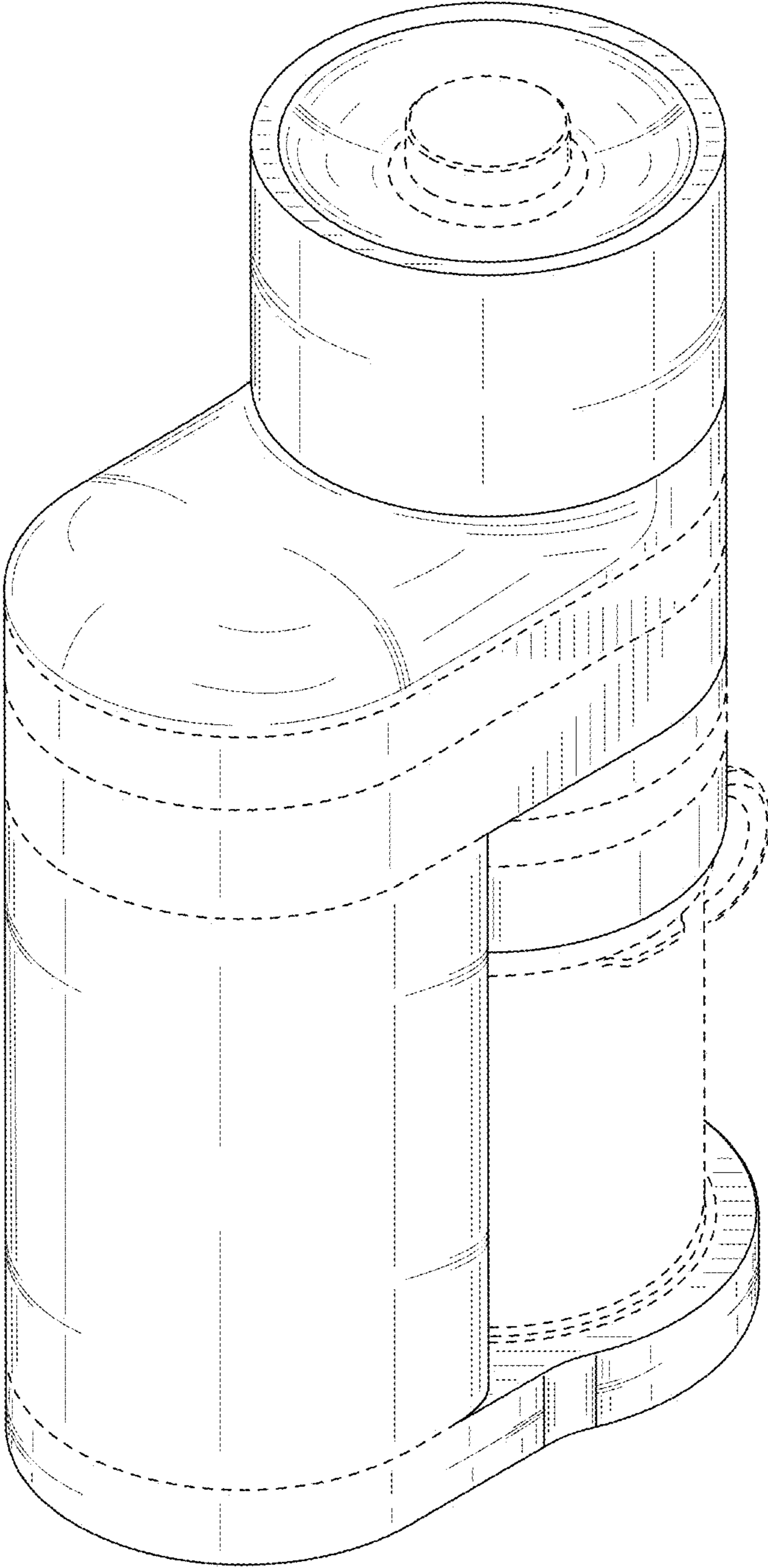


FIG. 2

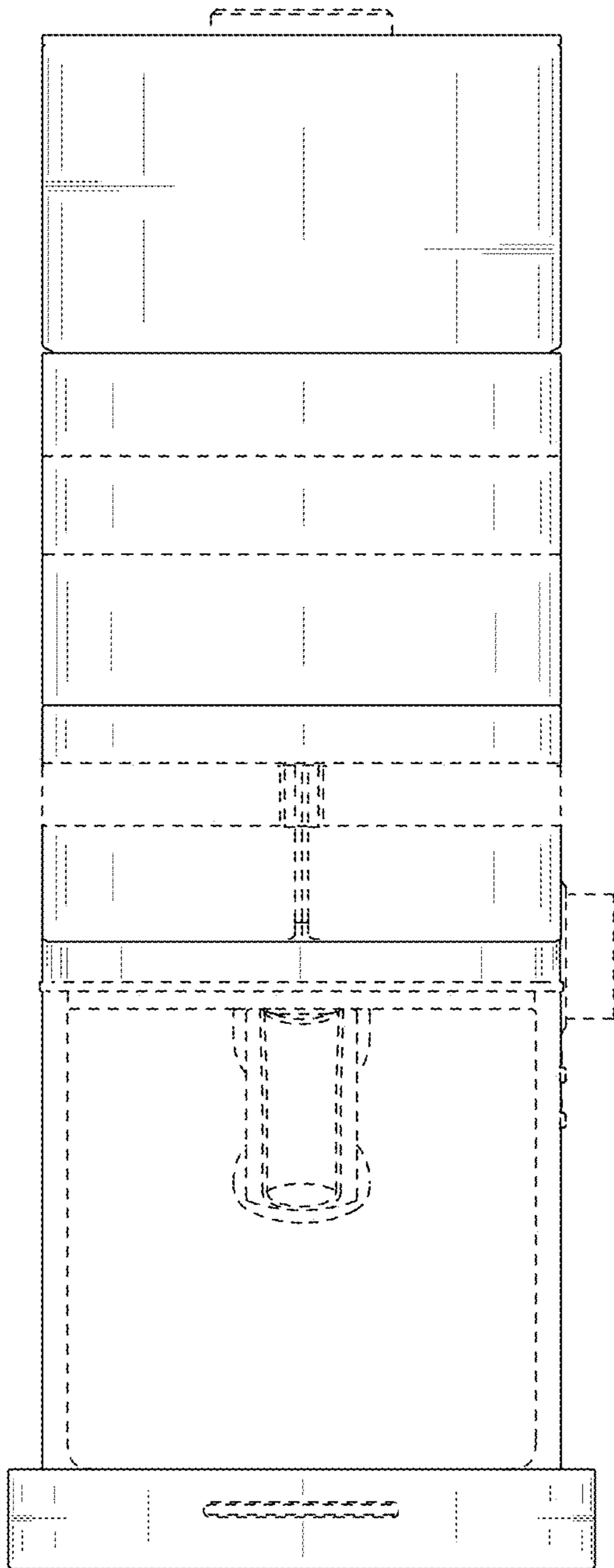


FIG. 3

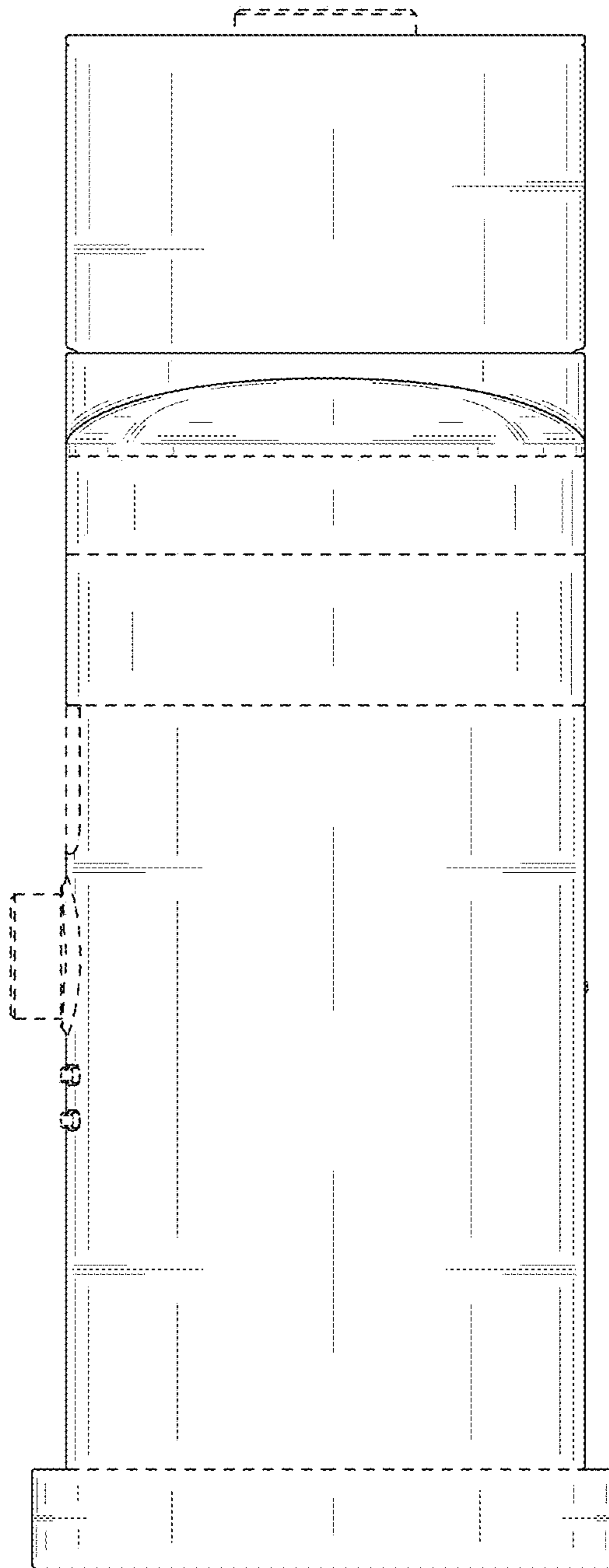


FIG. 4

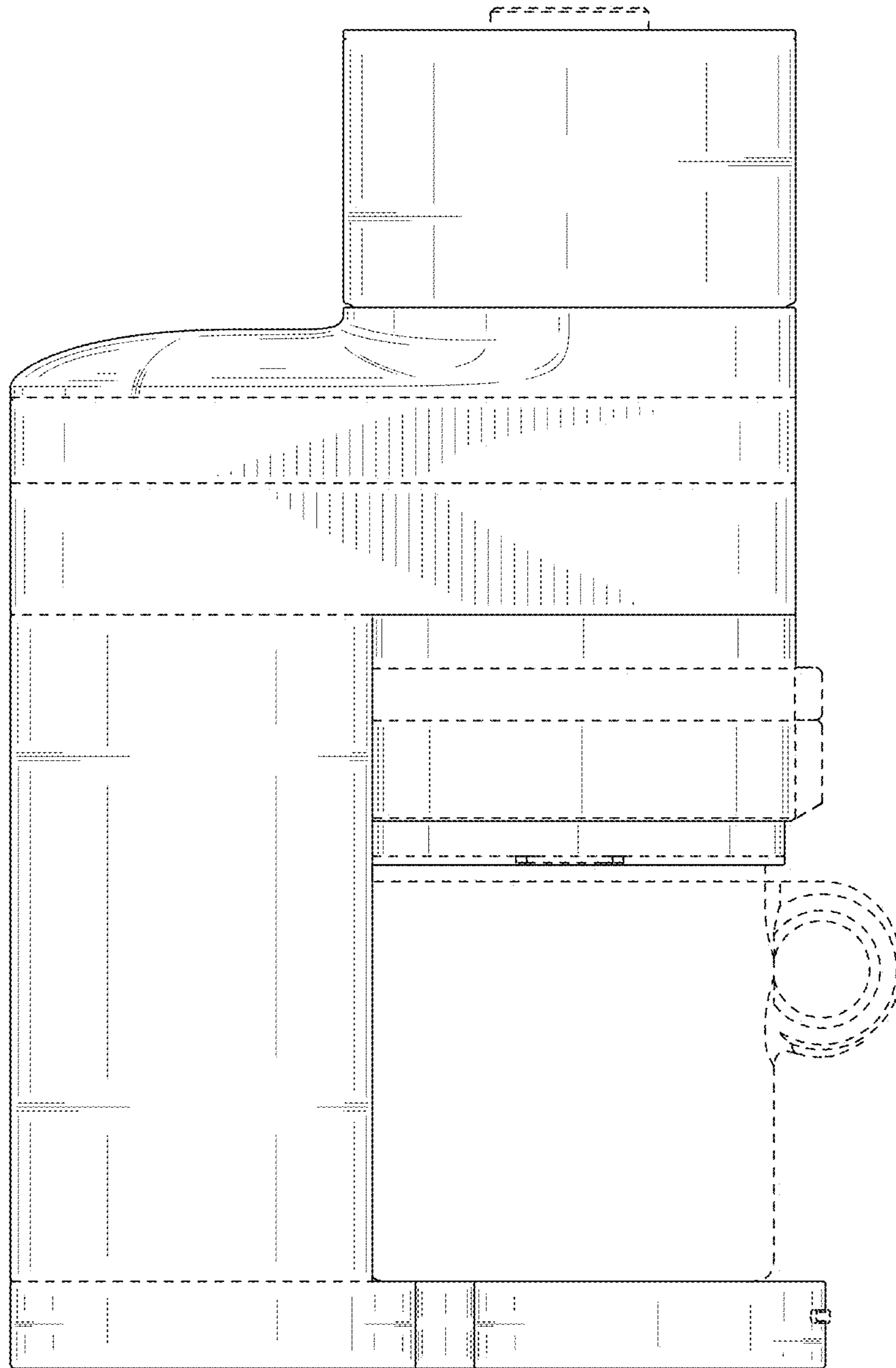


FIG. 5

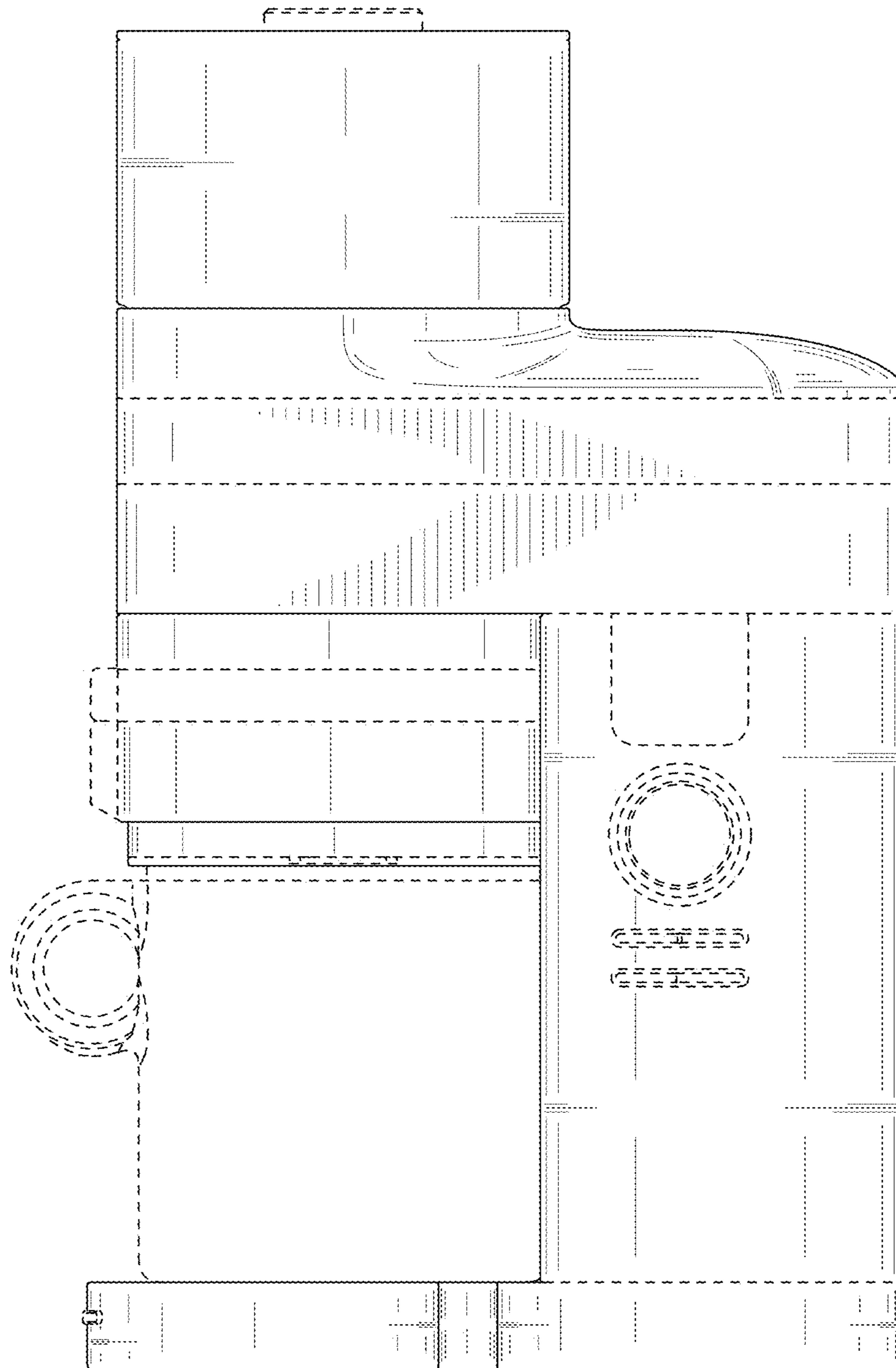


FIG. 6

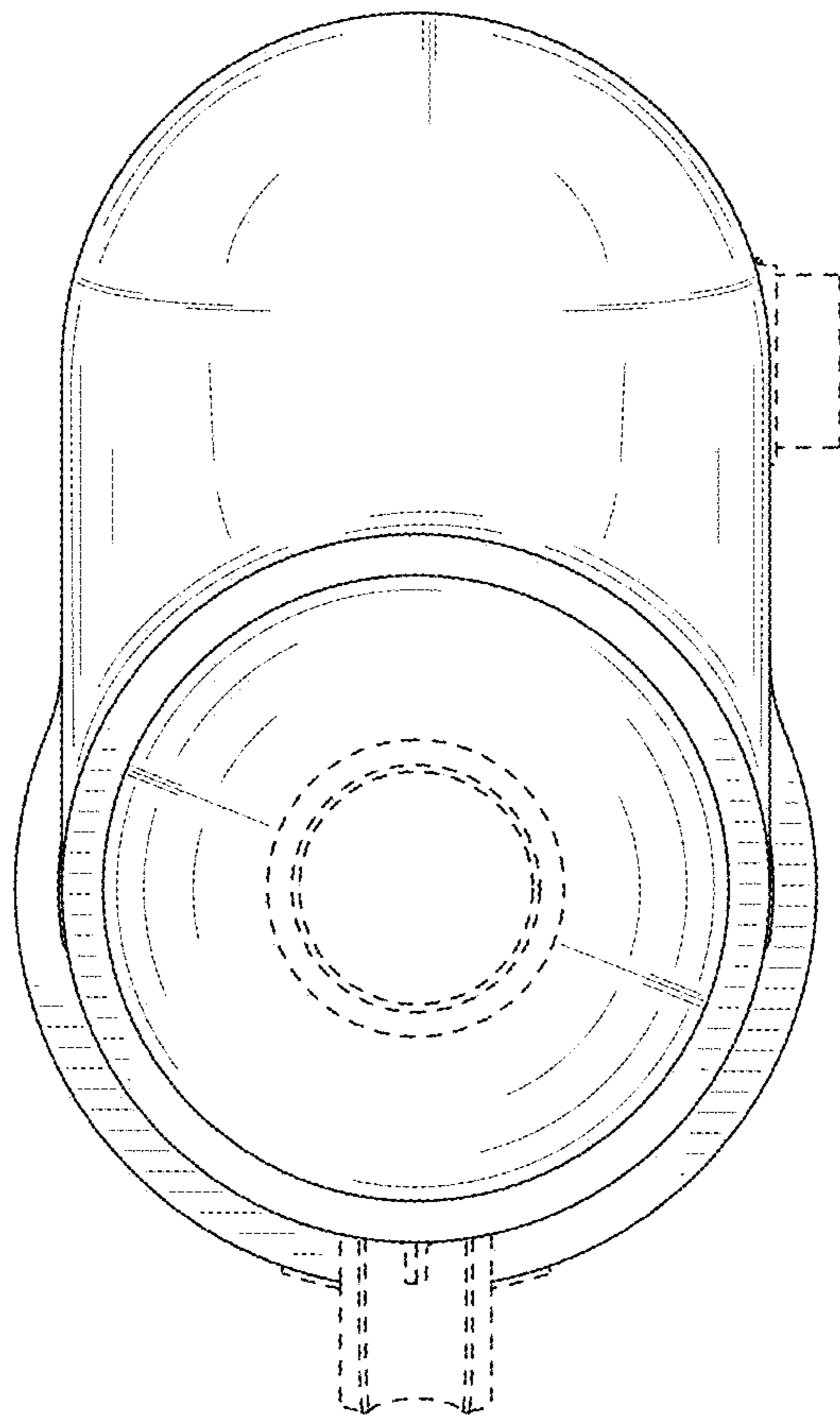


FIG. 7

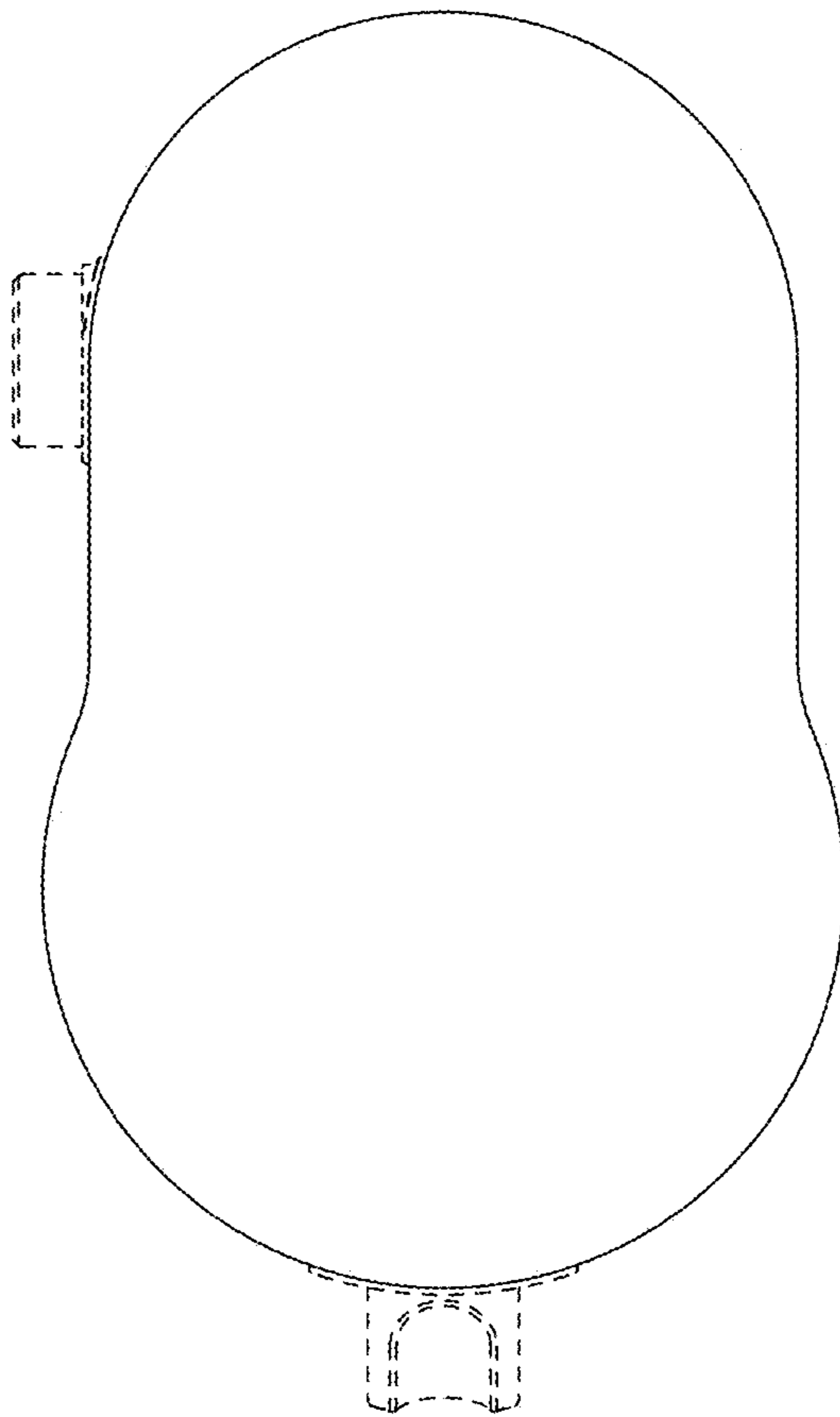


FIG. 8