



US00D889904S

(12) **United States Design Patent**
Lane et al.

(10) **Patent No.:** **US D889,904 S**

(45) **Date of Patent:** **** Jul. 14, 2020**

(54) **LID FOR BEVERAGE CONTAINER**

(71) Applicants: **Marvin Lane**, Wheeling, IL (US);
Dwayne Boroski, Lake in the Hills, IL (US); **Audra Norvilas**, Palos Park, IL (US); **Kelly Tina Lin**, Plainfield, IL (US)

(72) Inventors: **Marvin Lane**, Wheeling, IL (US);
Dwayne Boroski, Lake in the Hills, IL (US); **Audra Norvilas**, Palos Park, IL (US); **Kelly Tina Lin**, Plainfield, IL (US)

(73) Assignee: **Thermos L.L.C.**, Schaumburg, IL (US)

(**) Term: **15 Years**

(21) Appl. No.: **29/663,583**

(22) Filed: **Sep. 17, 2018**

(51) **LOC (12) Cl.** **07-99**

(52) **U.S. Cl.**
USPC **D7/392**

(58) **Field of Classification Search**
USPC D7/392, 392.1, 510, 511, 536, 900;
D9/447, 503, 532, 549
CPC B65D 81/3869; B65D 41/0407; B65D 39/00;
A47J 41/0011
See application file for complete search history.

(56) **References Cited**

U.S. PATENT DOCUMENTS

- D532,650 S * 11/2006 de Groote D7/392
- D565,407 S 4/2008 Kick
- D590,661 S 4/2009 Kitamura et al.
- D626,837 S 11/2010 Meyers et al.
- D655,131 S * 3/2012 Nilsson B65D 47/148
D7/392.1
- D679,541 S * 4/2013 Samartgis D7/392.1
- D687,661 S * 8/2013 Cetera D7/300.1

- D690,559 S 10/2013 Lane
- D696,551 S * 12/2013 Meyers D7/392.1
- D742,230 S * 11/2015 Charles D7/396.2
- D778,118 S 2/2017 Du
- D779,872 S * 2/2017 Bergstrom D7/392.1
- 10,143,980 B1 * 12/2018 Marko B01F 7/162

(Continued)

OTHER PUBLICATIONS

Steamed not Fried website, LifeFactory Bottles, Earliest publication date Dec. 1, 2014, [site visited Jun. 29, 2019], Available on the Internet URL <https://web.archive.org/web/20141201054421/http://www.steamednotfried.com/lifefactory-bottles> (Year: 2014).*

(Continued)

Primary Examiner — Karen S Acker

Assistant Examiner — Steven B Reinholdt, Jr.

(74) *Attorney, Agent, or Firm* — Polsinelli PC

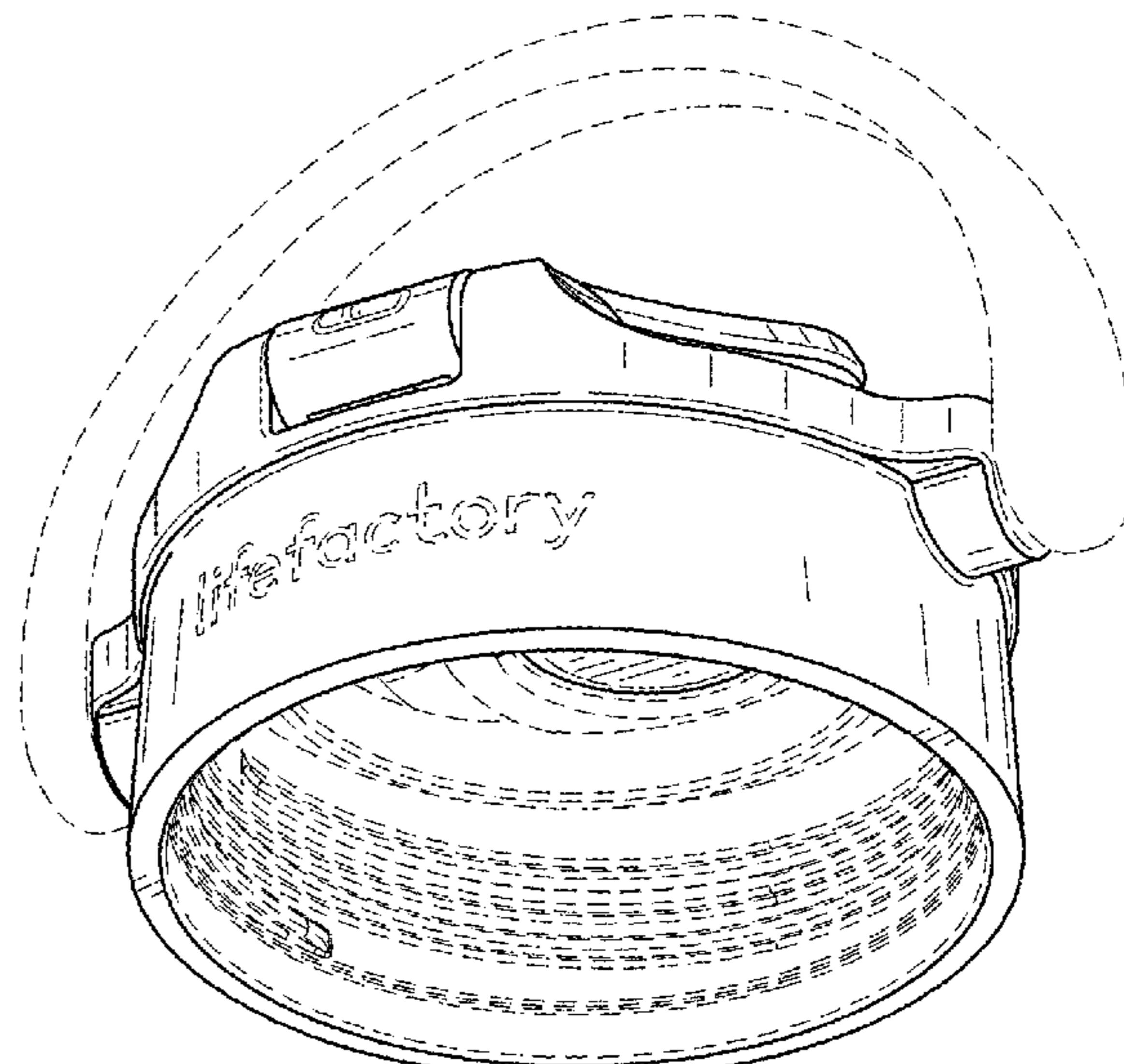
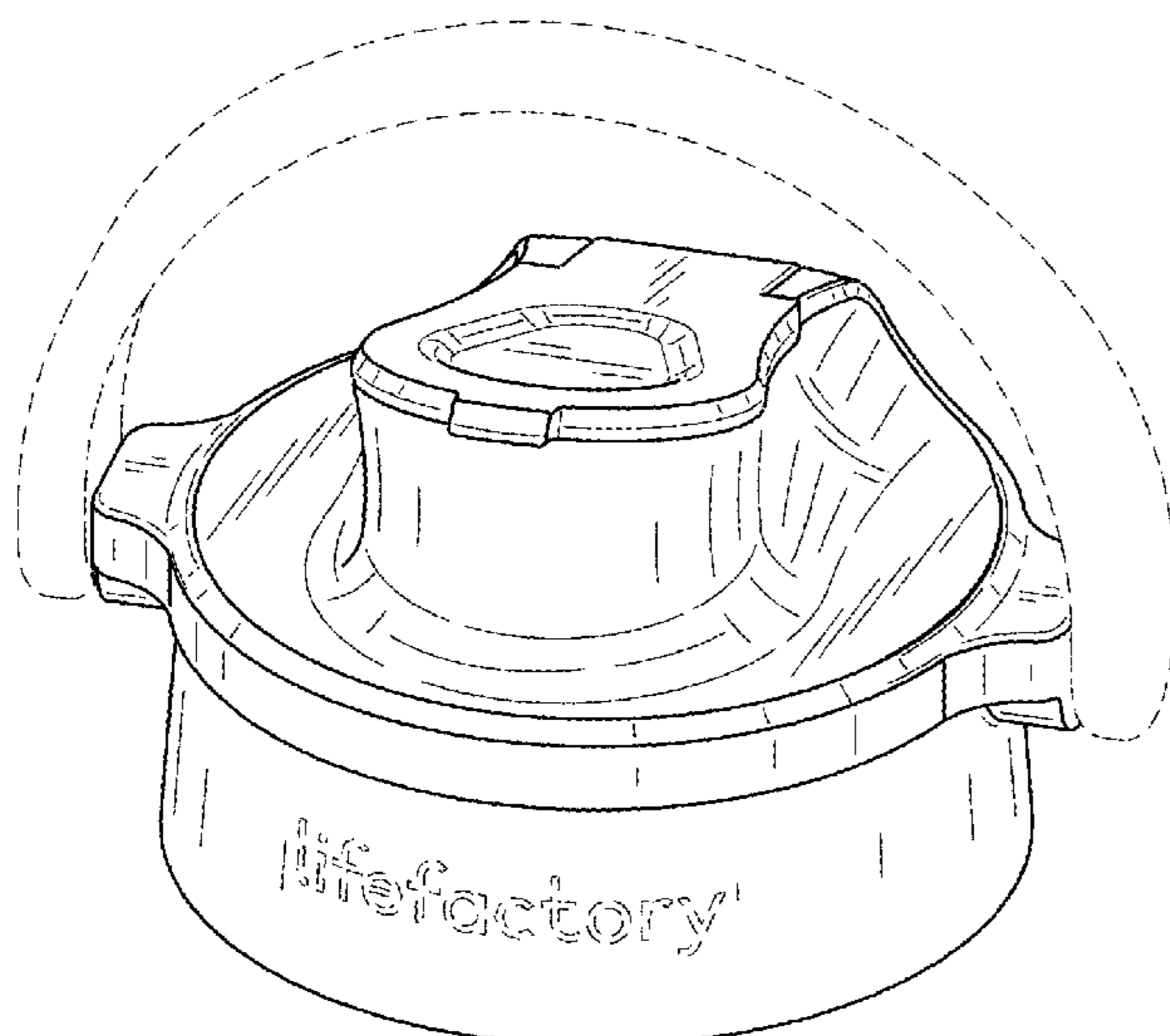
(57) **CLAIM**

The ornamental design for a lid for beverage container, as shown and described.

DESCRIPTION

FIG. 1 is an upper perspective view of a lid for beverage container showing our new design; FIG. 2 is a lower perspective view of the lid for beverage container; FIG. 3 is a front view of the lid for beverage container; FIG. 4 is a rear view of the lid for beverage container; FIG. 5 is a right side view of the lid for beverage container; FIG. 6 is a left side view of the lid for beverage container; FIG. 7 is a top view of the lid for beverage container; and, FIG. 8 is a bottom view of the lid for beverage container. The broken lines showing in the figures are included for the purpose of illustrating portions of the lid for beverage container that form no part of the claimed design.

1 Claim, 4 Drawing Sheets



(56)

References Cited

U.S. PATENT DOCUMENTS

2005/0205607 A1 9/2005 Hierzer et al.
2014/0360908 A1* 12/2014 Sorensen B65D 21/0228
206/501

OTHER PUBLICATIONS

Amazon.com, Lifefactory with Active Flip Cap, Date first listed on Amazon Jun. 24, 2019, [visited site on Mar. 6, 2020], Available on the Internet URL <https://www.amazon.com/dp/B07TFBPM46/> (Year: 2019).*

YouTube.com—Kadriankovac, Publication date Nov. 20, 2016, [site visited Mar. 6, 2020], Available on the Internet URL <https://www.youtube.com/watch?v=jNYmv-RQvLc> (Year: 2016).*

Screen Capture from Instagram clip entitled “Red or white #wine” 1 page, posted Apr. 27, 2016 by “lifefactory”, [Retrieved from <https://www.instagram.com/p/BEuVlJrtL40/> on Mar. 3, 2020].

* cited by examiner

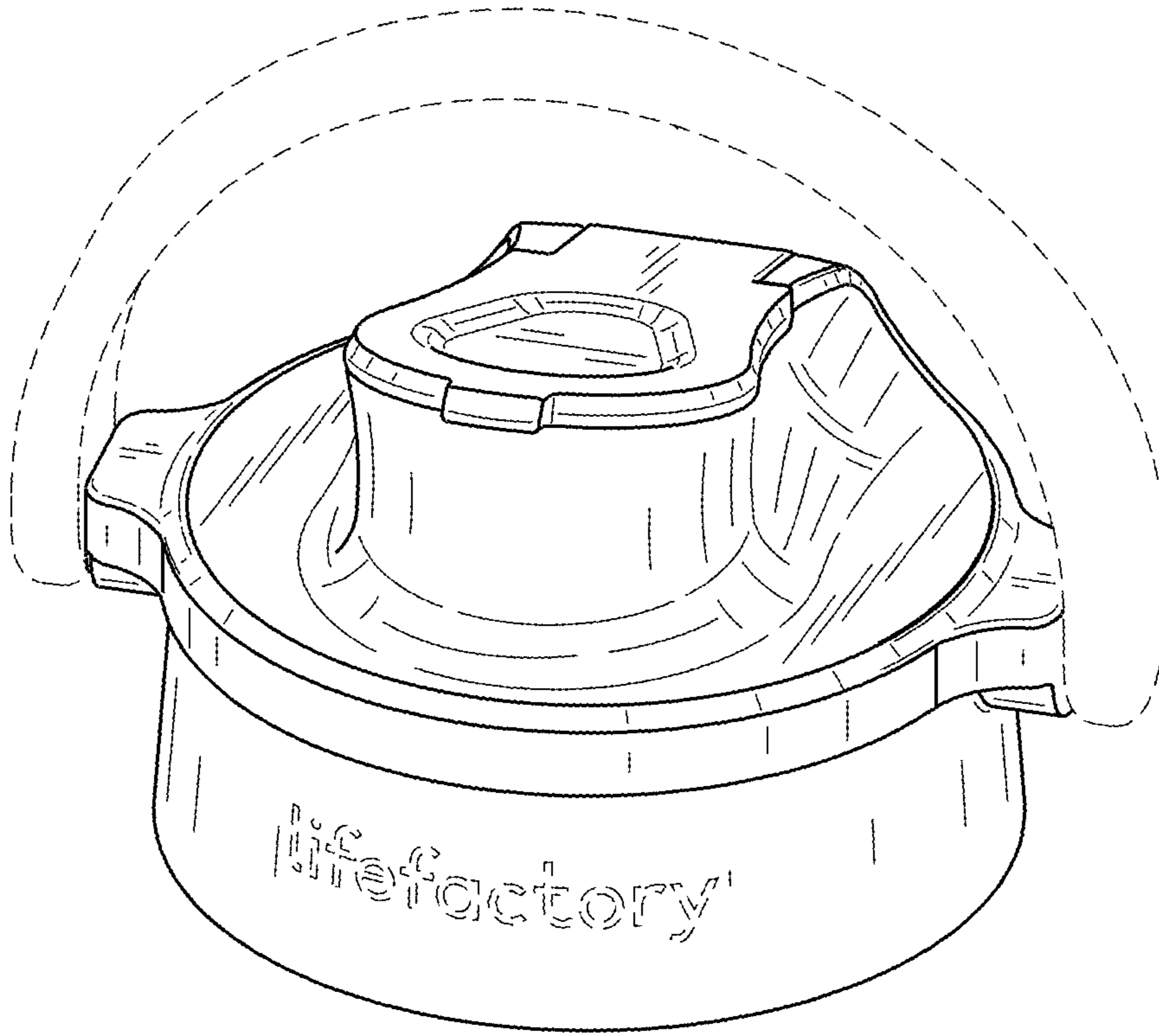


FIG. 1

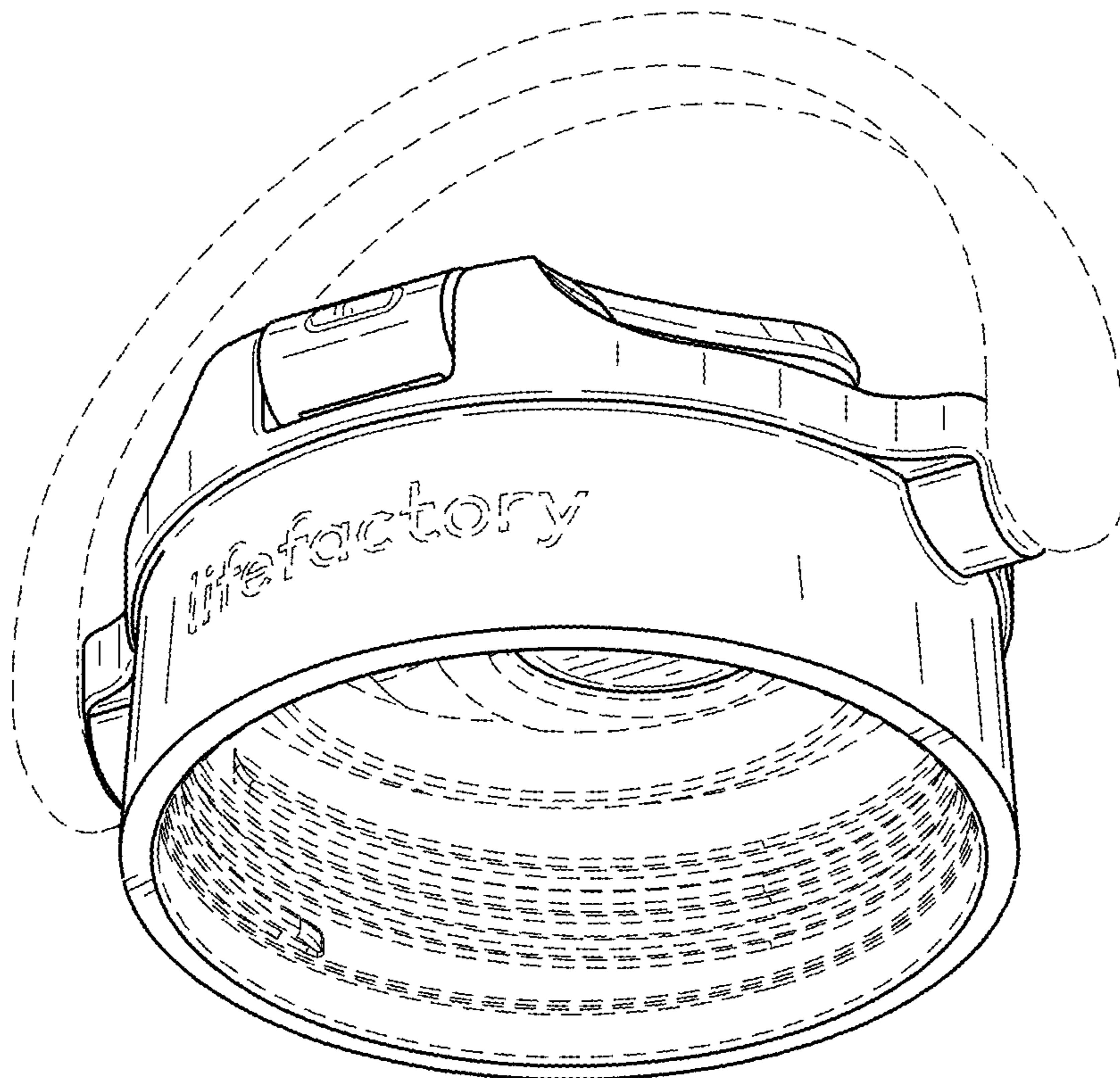


FIG. 2

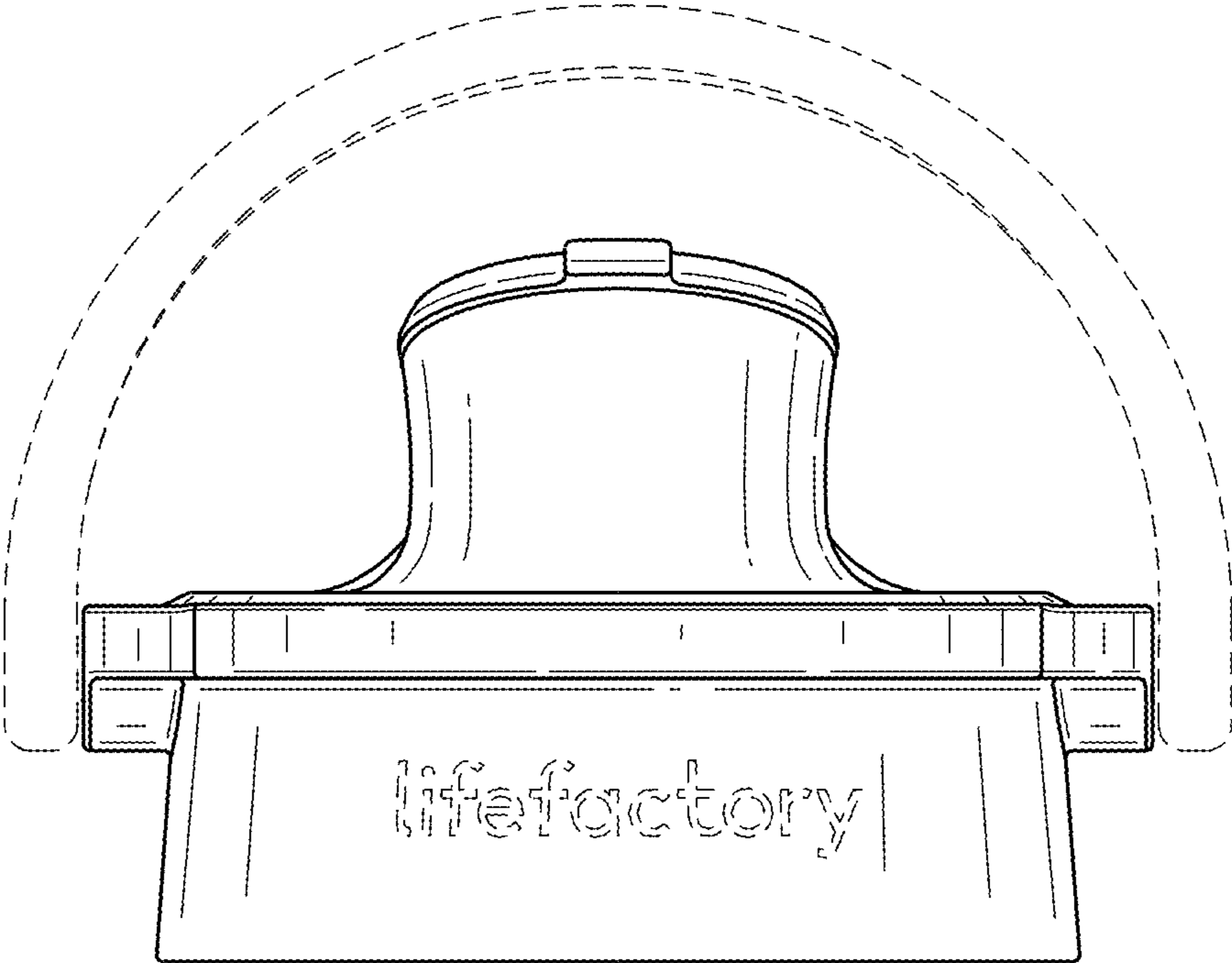


FIG. 3

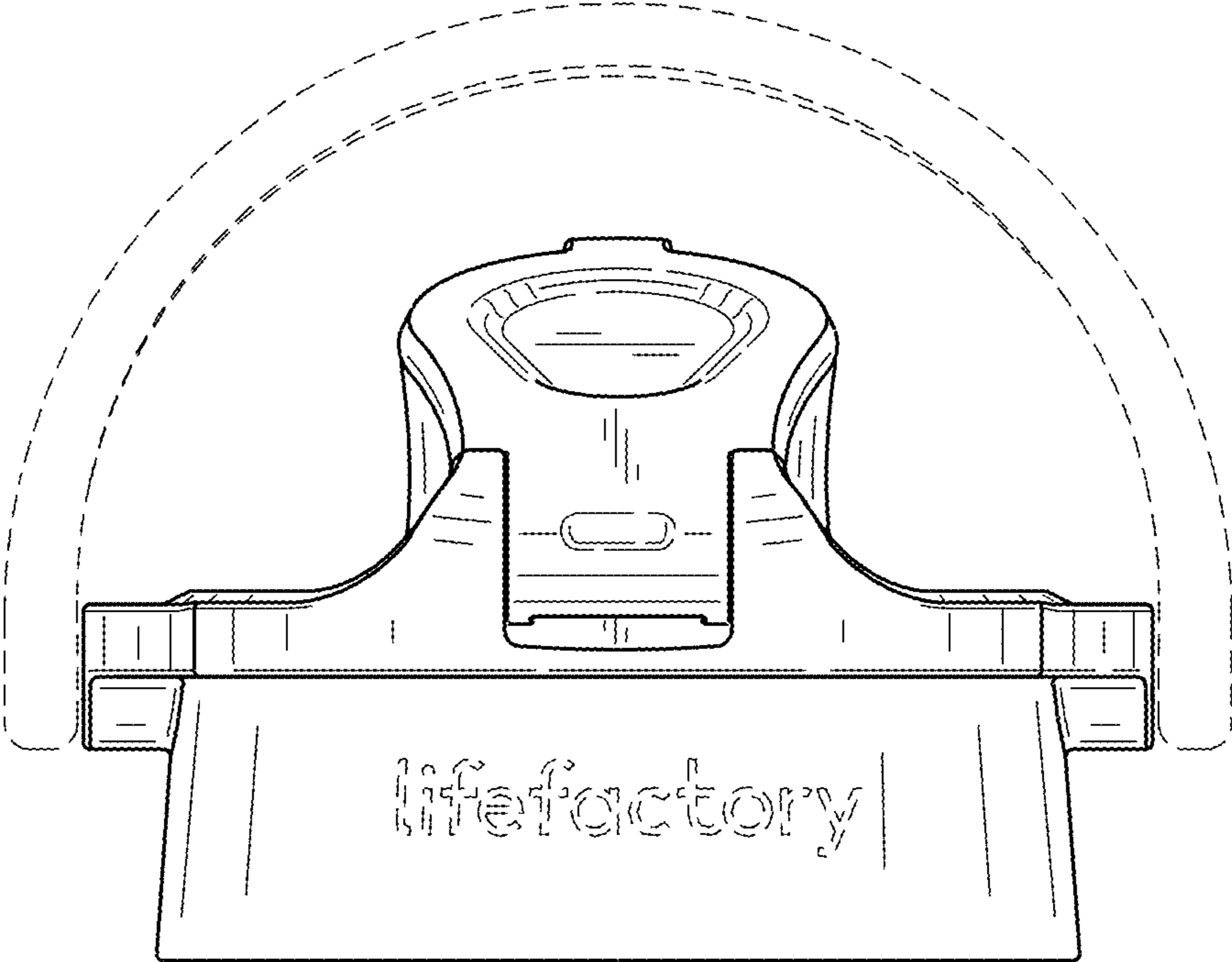


FIG. 4

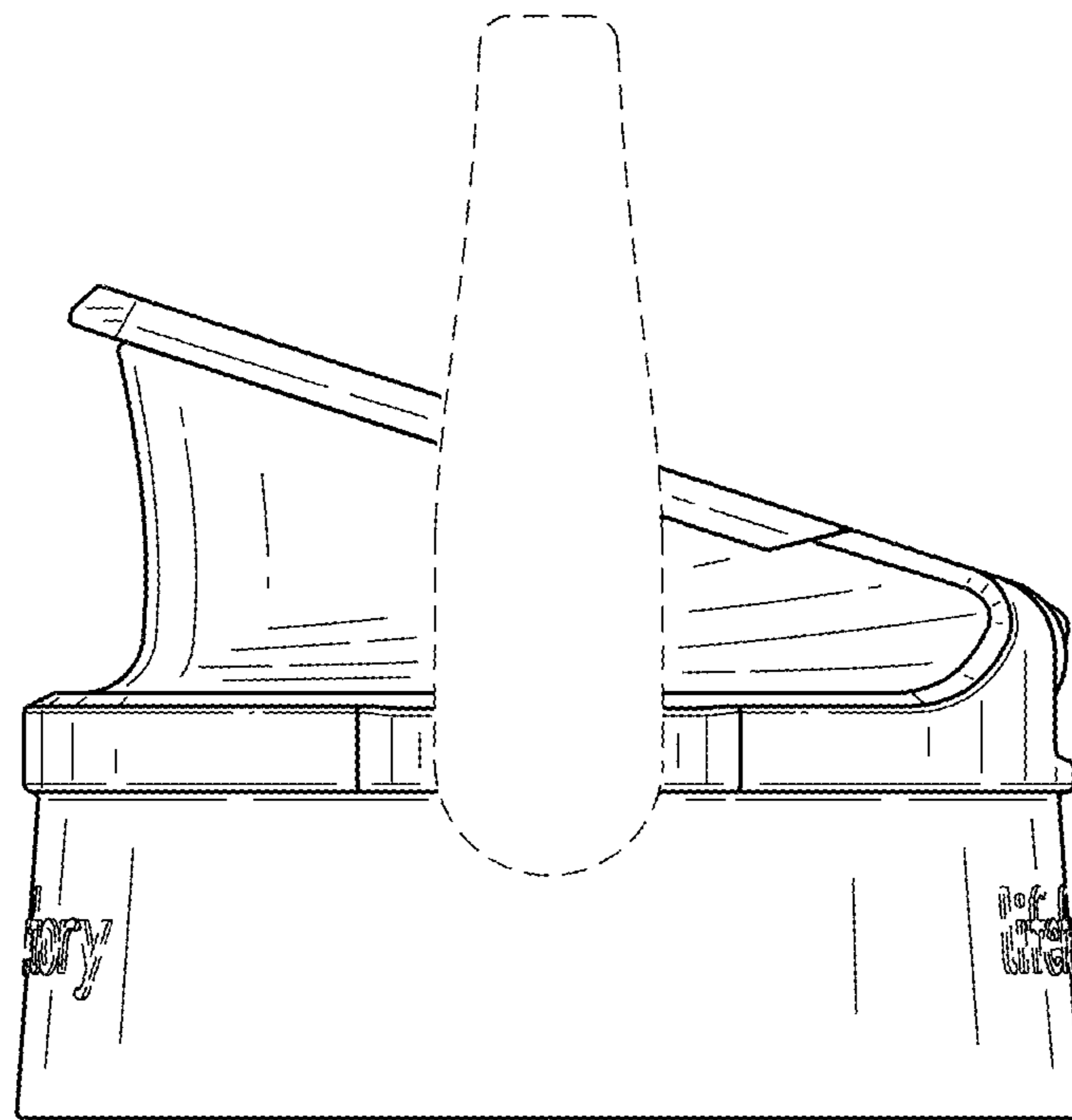


FIG. 5

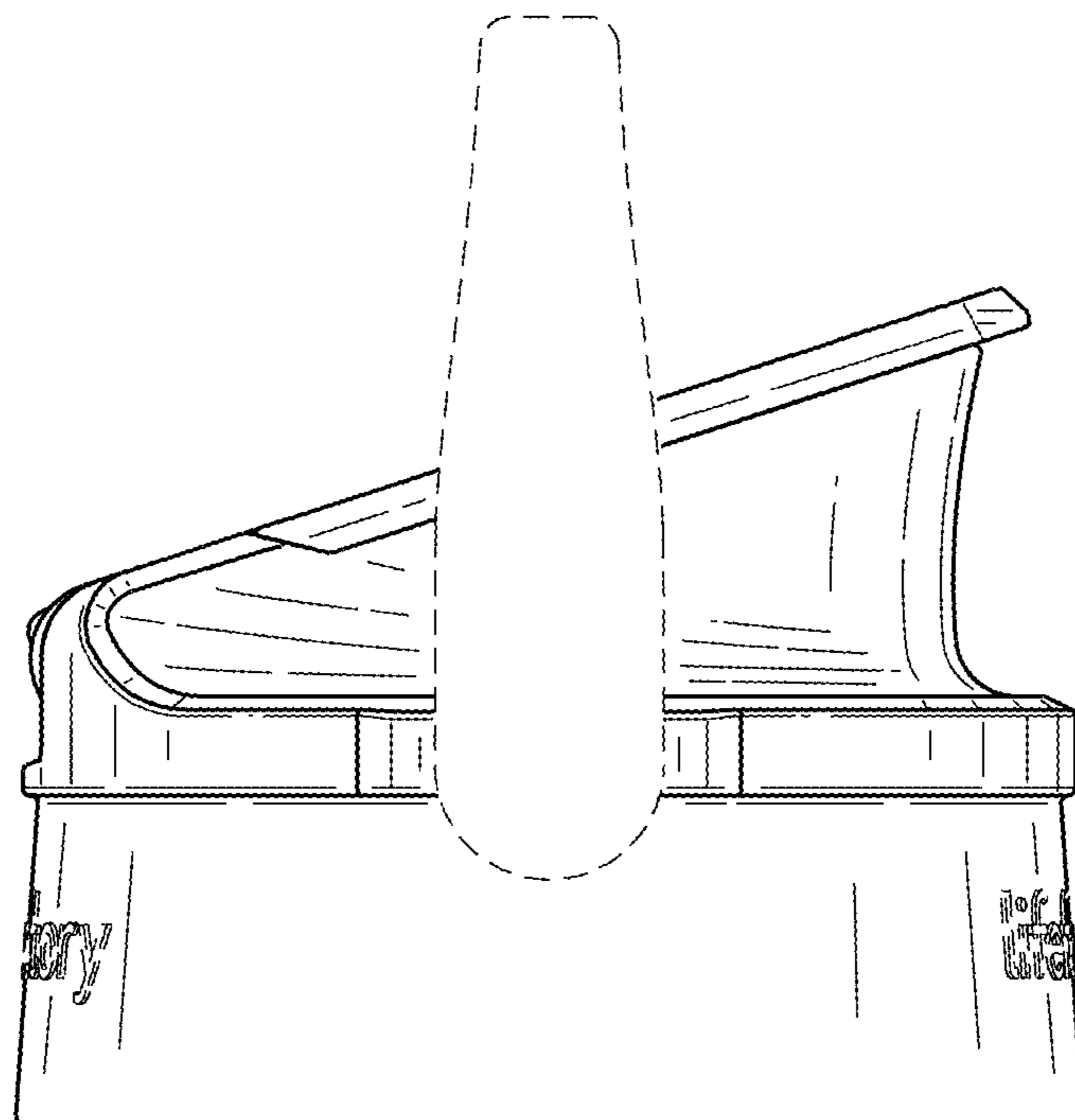


FIG. 6

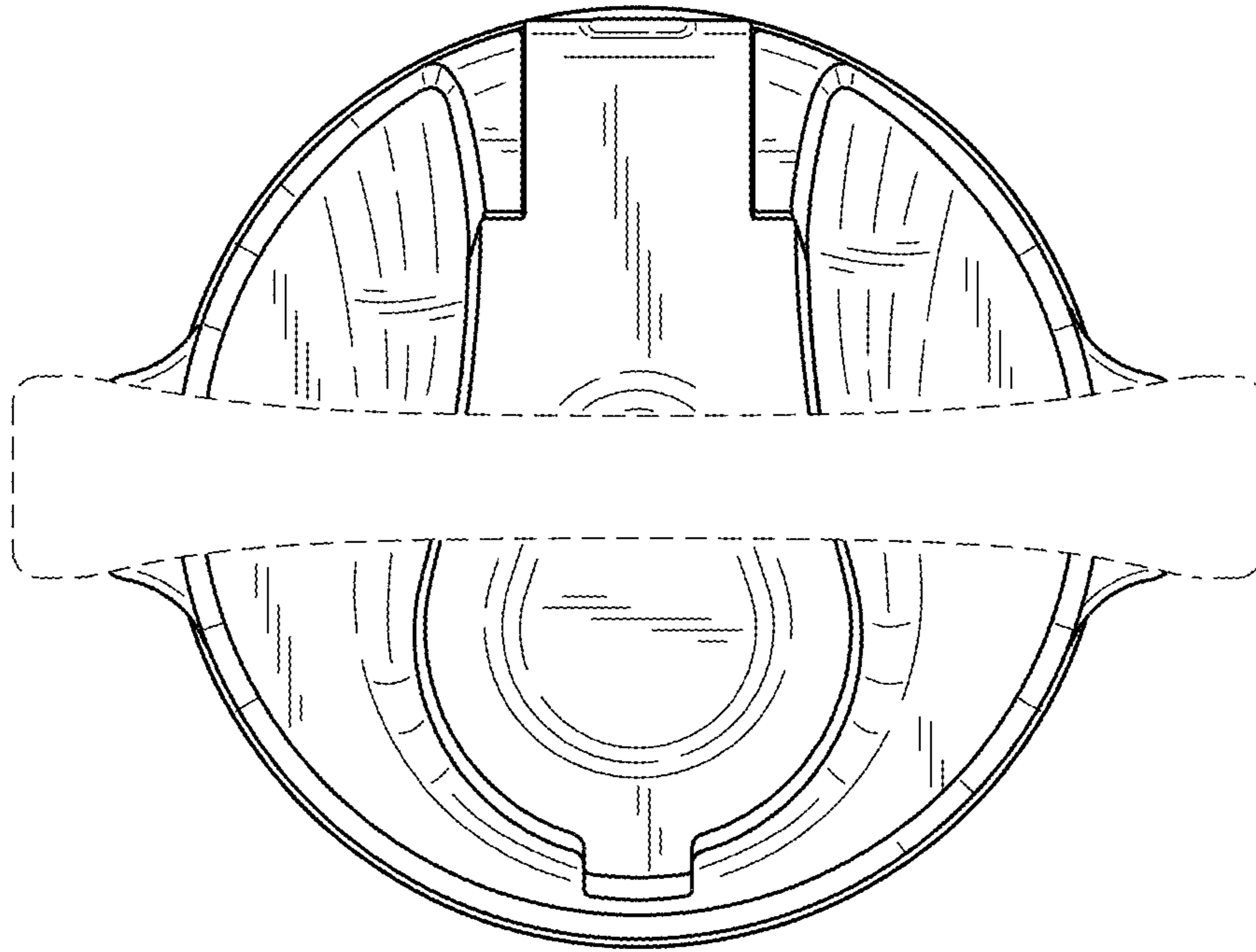


FIG. 7

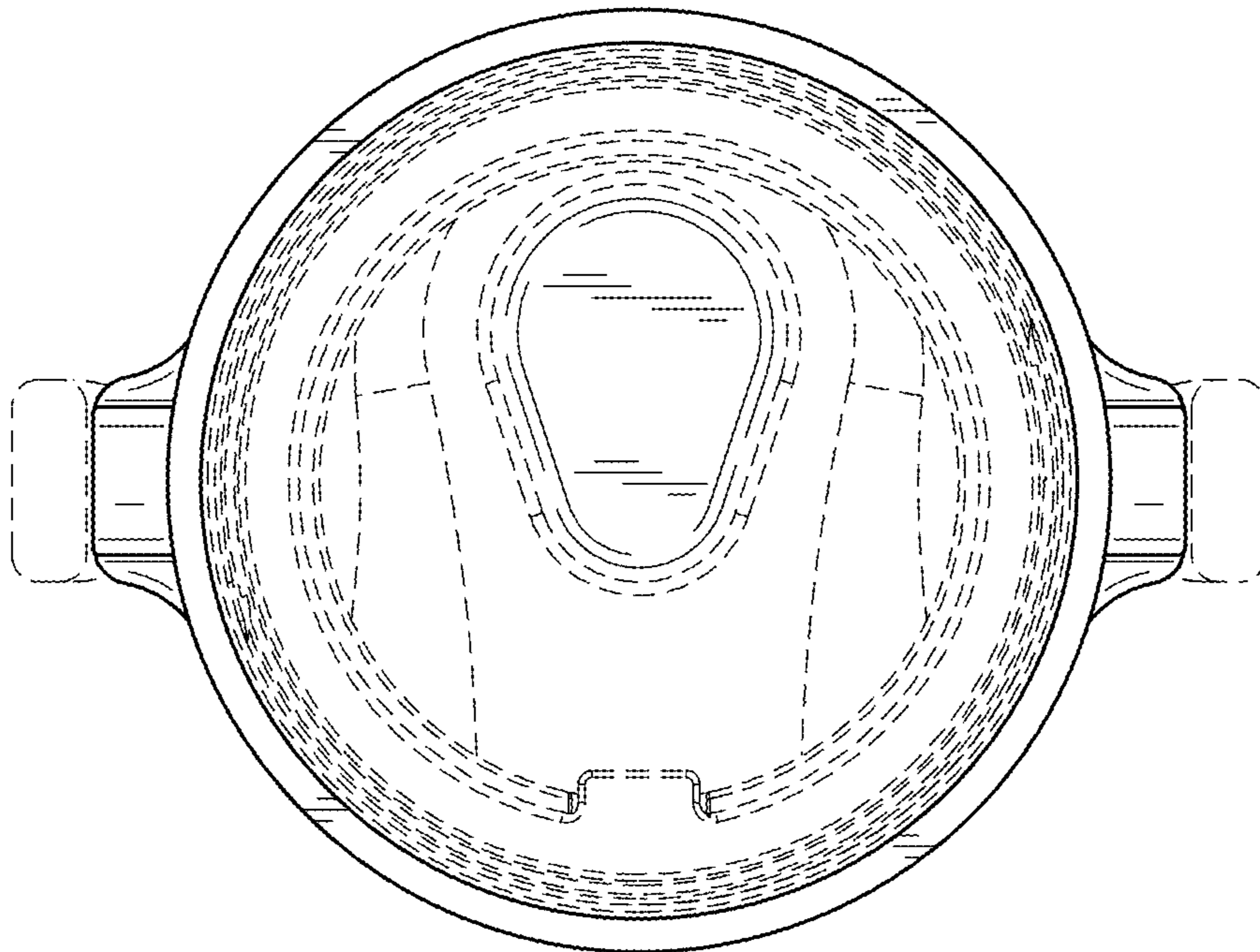


FIG. 8