



US00D889903S

(12) **United States Design Patent**
Cheng

(10) **Patent No.:** **US D889,903 S**
(45) **Date of Patent:** **** Jul. 14, 2020**

(54) **LID FOR A STORAGE CONTAINER**

(71) Applicant: **Meyer Intellectual Properties Ltd.**,
Kowloon (HK)

(72) Inventor: **Stanley Kin Sui Cheng**, Hillsborough,
CA (US)

(73) Assignee: **MEYER INTELLECTUAL
PROPERTIES LIMITED**, Hong Kong
(CN)

(**) Term: **15 Years**

(21) Appl. No.: **29/702,965**

(22) Filed: **Aug. 22, 2019**

Related U.S. Application Data

(63) Continuation-in-part of application No. 29/671,970,
filed on Nov. 30, 2018, and a continuation-in-part of
(Continued)

(51) **LOC (12) Cl.** **07-02**

(52) **U.S. Cl.**
USPC **D7/391**

(58) **Field of Classification Search**
USPC D7/354, 391, 392, 392.1, 393, 397,
D7/601-602, 629-630, 538-542;
(Continued)

(56) **References Cited**

U.S. PATENT DOCUMENTS

3,109,575 A 11/1963 Aldington et al.
3,515,306 A 6/1970 Roper et al.
(Continued)

Primary Examiner — Ricky Pham

(74) *Attorney, Agent, or Firm* — Edward S. Sherman

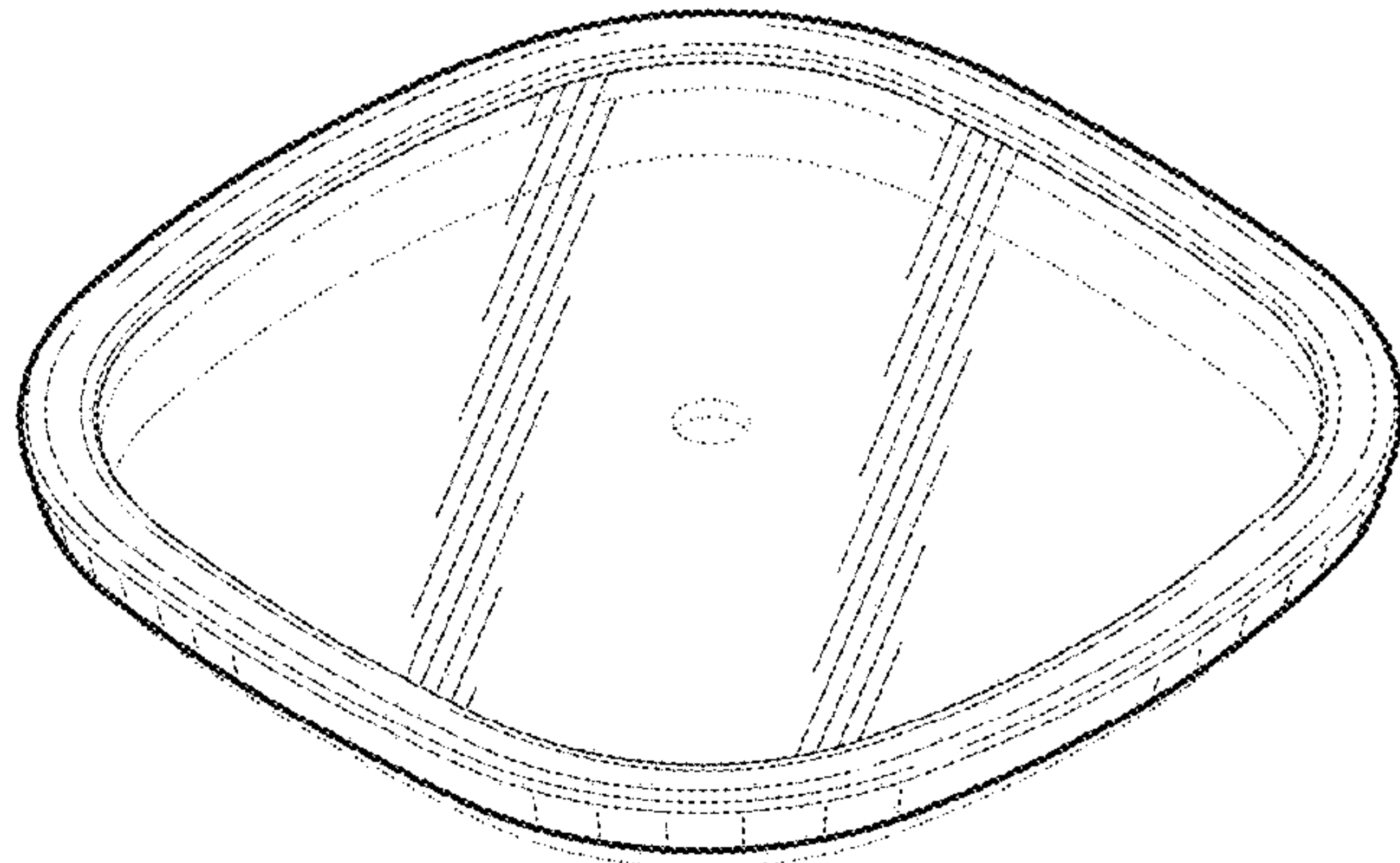
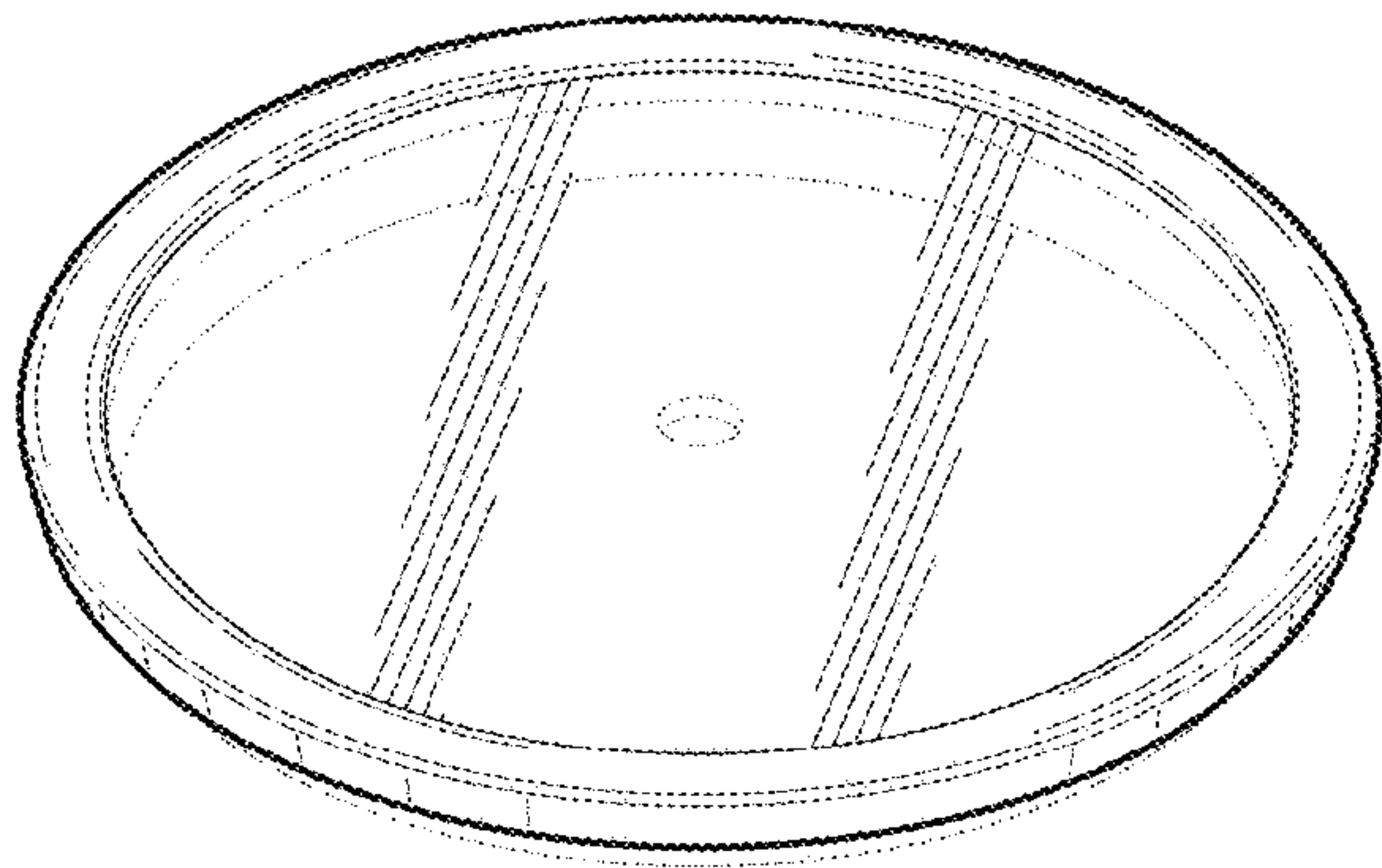
(57) **CLAIM**

The ornamental design for a lid for a storage container,
substantially as shown and described.

DESCRIPTION

FIG. 1 is a perspective view of a first embodiment of the “lid for a storage container”, showing my new design;
FIG. 2 is a front side elevation view thereof; the rear side elevation view being a mirror image thereof;
FIG. 3 is a top plan view thereof;
FIG. 4 is a bottom plan view thereof;
FIG. 5 is a right side elevation view thereof; the left side elevation view being a mirror image thereof;
FIG. 6 is a cross-sectional elevation view thereof taken at section line 6-6 in FIG. 3;
FIG. 7 is a perspective view of a second embodiment of the “lid for a storage container”, showing my new design;
FIG. 8 is a front side elevation view thereof; the rear side elevation view being a mirror image thereof;
FIG. 9 is a top plan view thereof;
FIG. 10 is a bottom plan view thereof;
FIG. 11 is a right side elevation view thereof; the left side elevation view being a mirror image thereof;
FIG. 12 is a cross-sectional elevation view thereof taken at section line 12-12 in FIG. 9;
FIG. 13 is a perspective view of a third embodiment of the “lid for a storage container”, showing my new design;
FIG. 14 is a front side elevation view thereof; the rear side elevation view being a mirror image thereof;
FIG. 15 is a top plan view thereof;
FIG. 16 is a bottom plan view thereof;
FIG. 17 is a right side elevation view thereof; the left side elevation view being a mirror image thereof; and,
FIG. 18 is a cross-sectional elevation view thereof taken at section line 12-12 in FIG. 15.
The broken lines in the drawings represent unclaimed portions of the design.

1 Claim, 9 Drawing Sheets



Related U.S. Application Data

application No. 29/653,062, filed on Jun. 12, 2018,
now Pat. No. Des. 867,056.

(58) **Field of Classification Search**

USPC D9/414, 424–432, 435, 438, 443,
D9/451–452

CPC A47J 36/027; A47J 36/06; A47J 37/10;
A47J 37/101; B65D 21/0209; B65D
43/00; B65D 43/02; B65D 43/0206;
B65D 43/022; B65D 43/161; B65D
43/162; B65D 45/00; B65D 45/16; B65D
45/18; B65D 51/16; B65D 51/1683;
B65D 51/1688; B65D 51/1694; B65D
2251/00; B65F 1/1615

See application file for complete search history.

(56) **References Cited**

U.S. PATENT DOCUMENTS

4,412,630	A	11/1983	Daenen
D286,026	S	10/1986	Rayner
D374,793	S	10/1996	Eickel
D389,058	S	1/1998	Landis

D398,997	S	9/1998	Taylor	
D502,049	S	2/2005	Munson et al.	
D628,894	S	12/2010	Pontes	
D651,475	S	1/2012	Lindsay et al.	
D660,148	S *	5/2012	Killandi	D9/435
D716,603	S *	11/2014	Yessin	D7/391
D730,112	S	5/2015	Yessin et al.	
D731,241	S	6/2015	Yessin et al.	
D738,161	S *	9/2015	Yessin	D7/391
D746,626	S *	1/2016	Lagsdin	D7/354
D750,423	S *	3/2016	Shirley	D7/391
D750,424	S	3/2016	Shirley et al.	
D750,425	S	3/2016	Shirley et al.	
D751,335	S	3/2016	Shirley et al.	
D759,427	S *	6/2016	Wiggins	D7/391
D770,277	S *	11/2016	Carlson	D9/443
D773,239	S	12/2016	Taylor	
D774,887	S	12/2016	Torrison et al.	
D776,529	S *	1/2017	Torrison	D9/435
D801,110	S	10/2017	Sarnoff et al.	
D805,835	S *	12/2017	Yessin	D7/391
D805,836	S *	12/2017	Yessin	D7/391
D812,965	S *	3/2018	Ogilvie	D7/391
D816,396	S	5/2018	Eades et al.	
D816,500	S	5/2018	Torrison et al.	
D867,056	S *	11/2019	Cheng	D7/391
D871,834	S *	1/2020	Sarnoff	D7/392.1

* cited by examiner

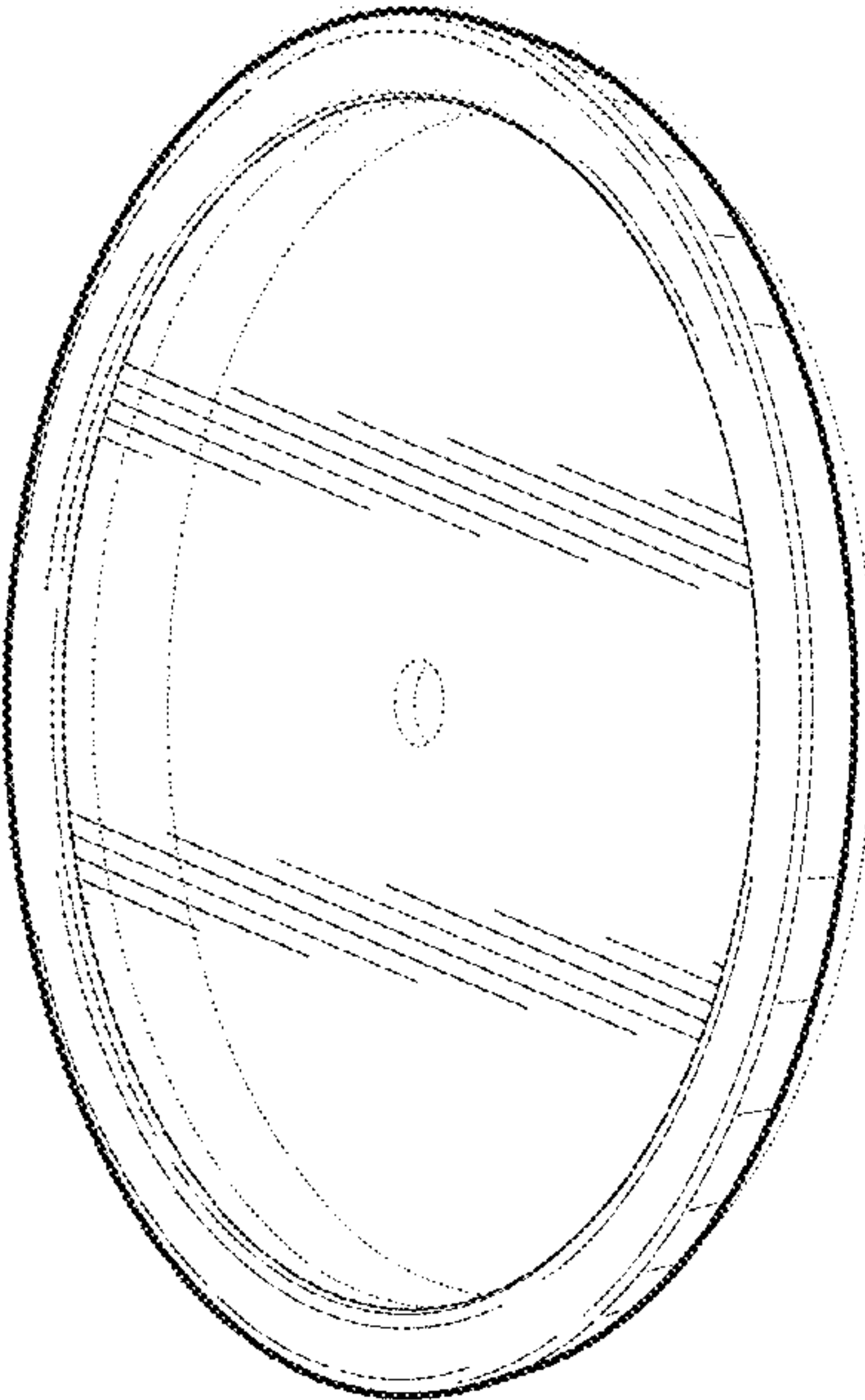


FIG.1

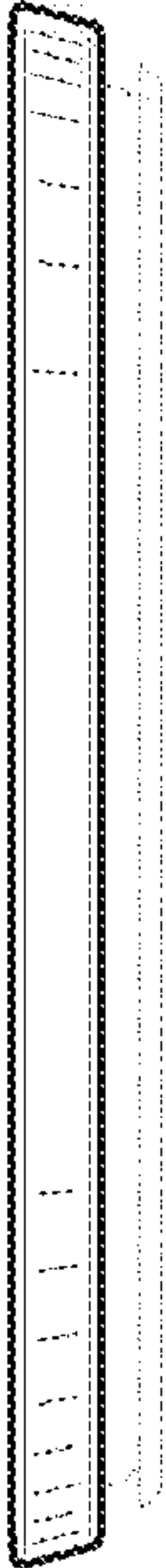


FIG.2

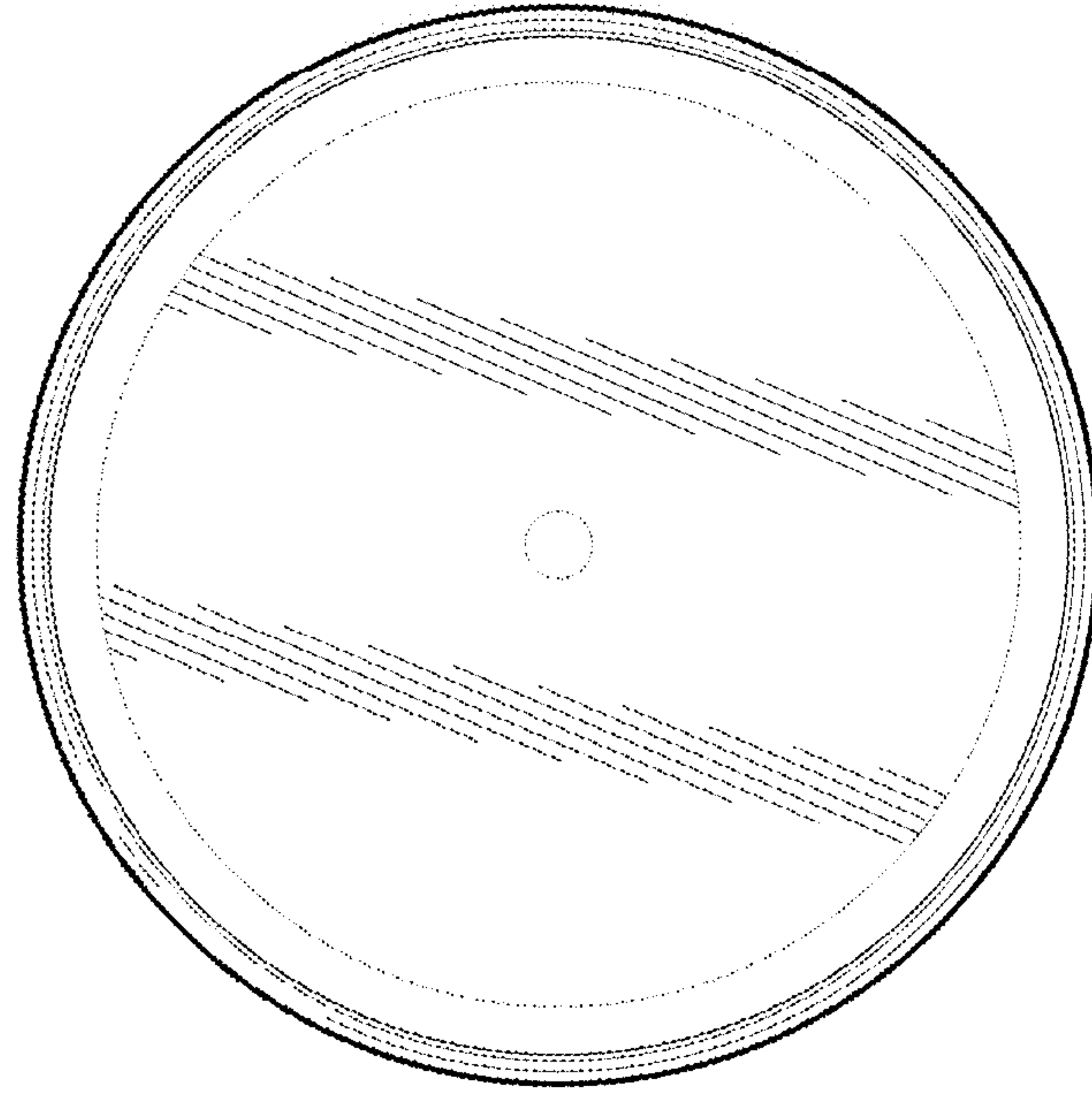


FIG.4

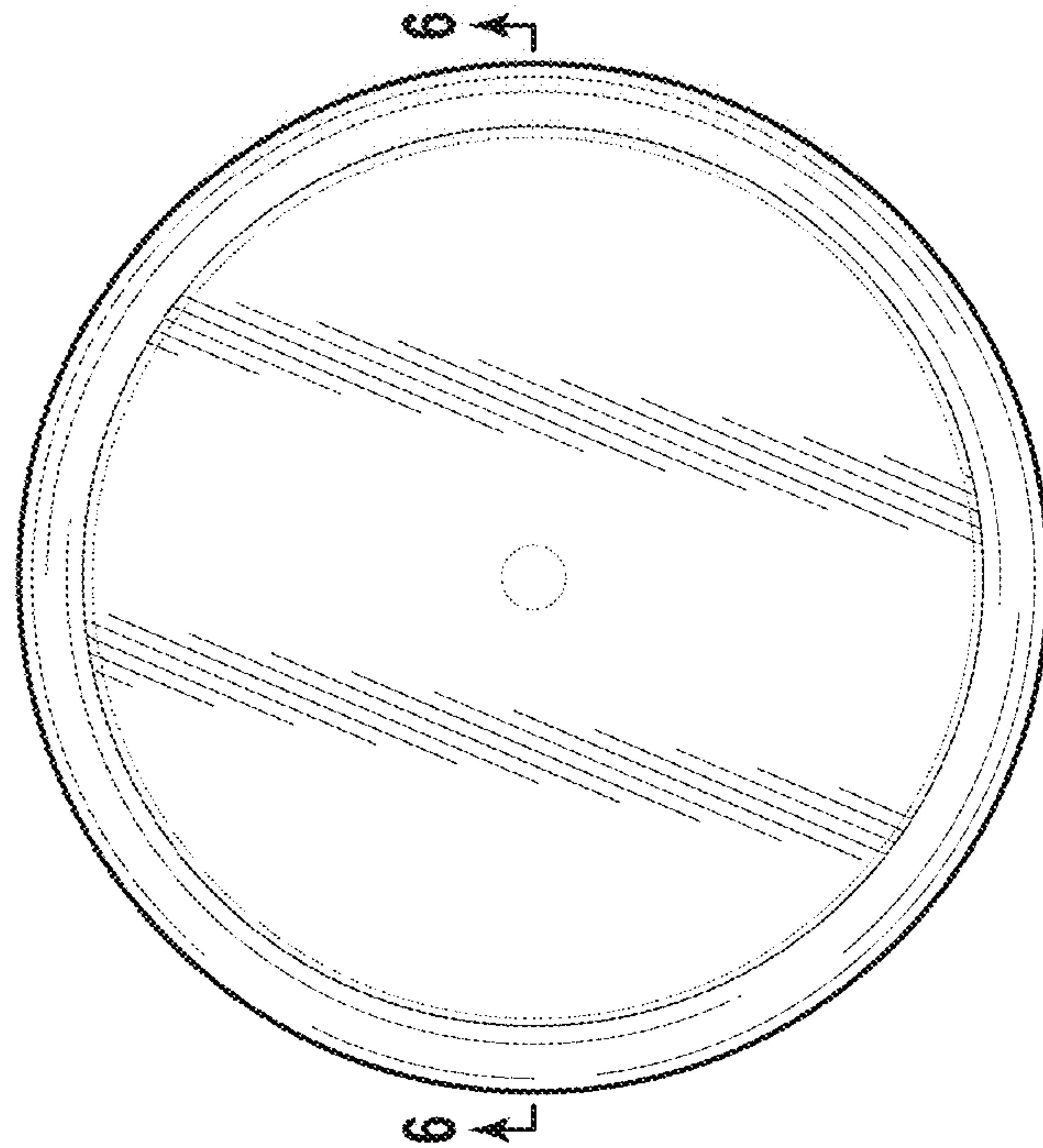


FIG.3

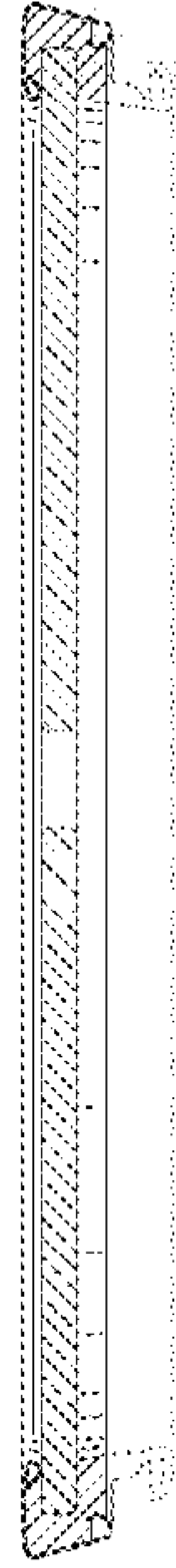


FIG. 5

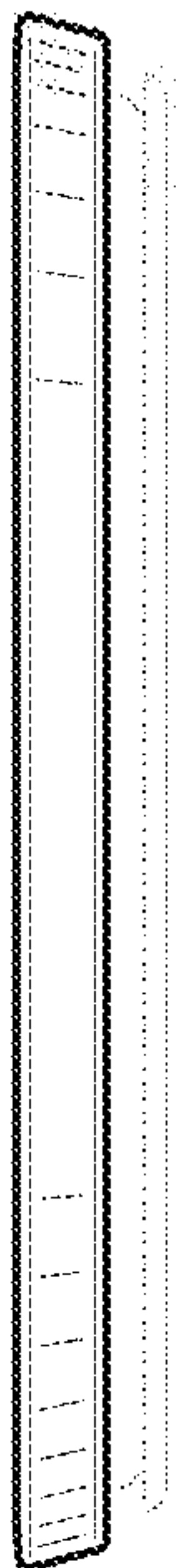


FIG. 6

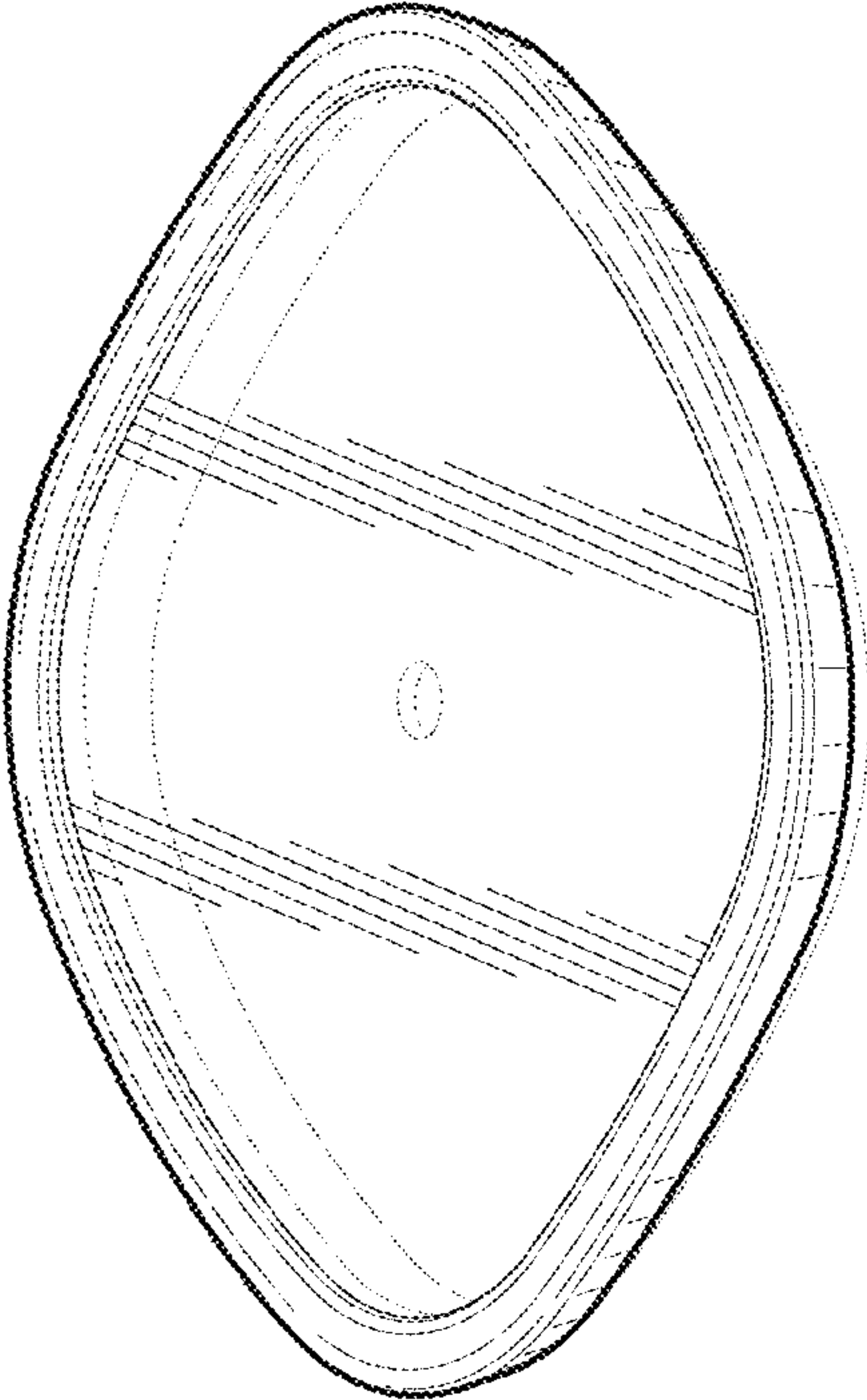


FIG. 7

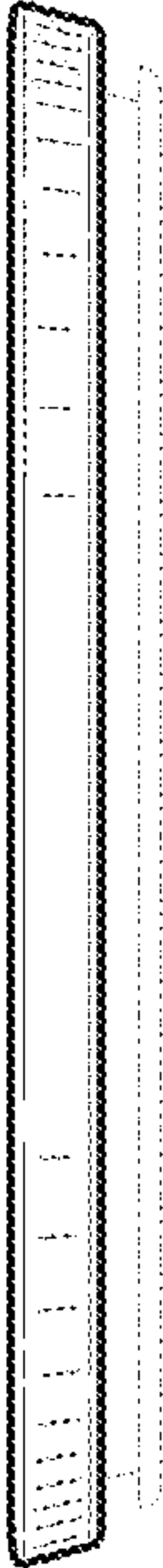


FIG. 8

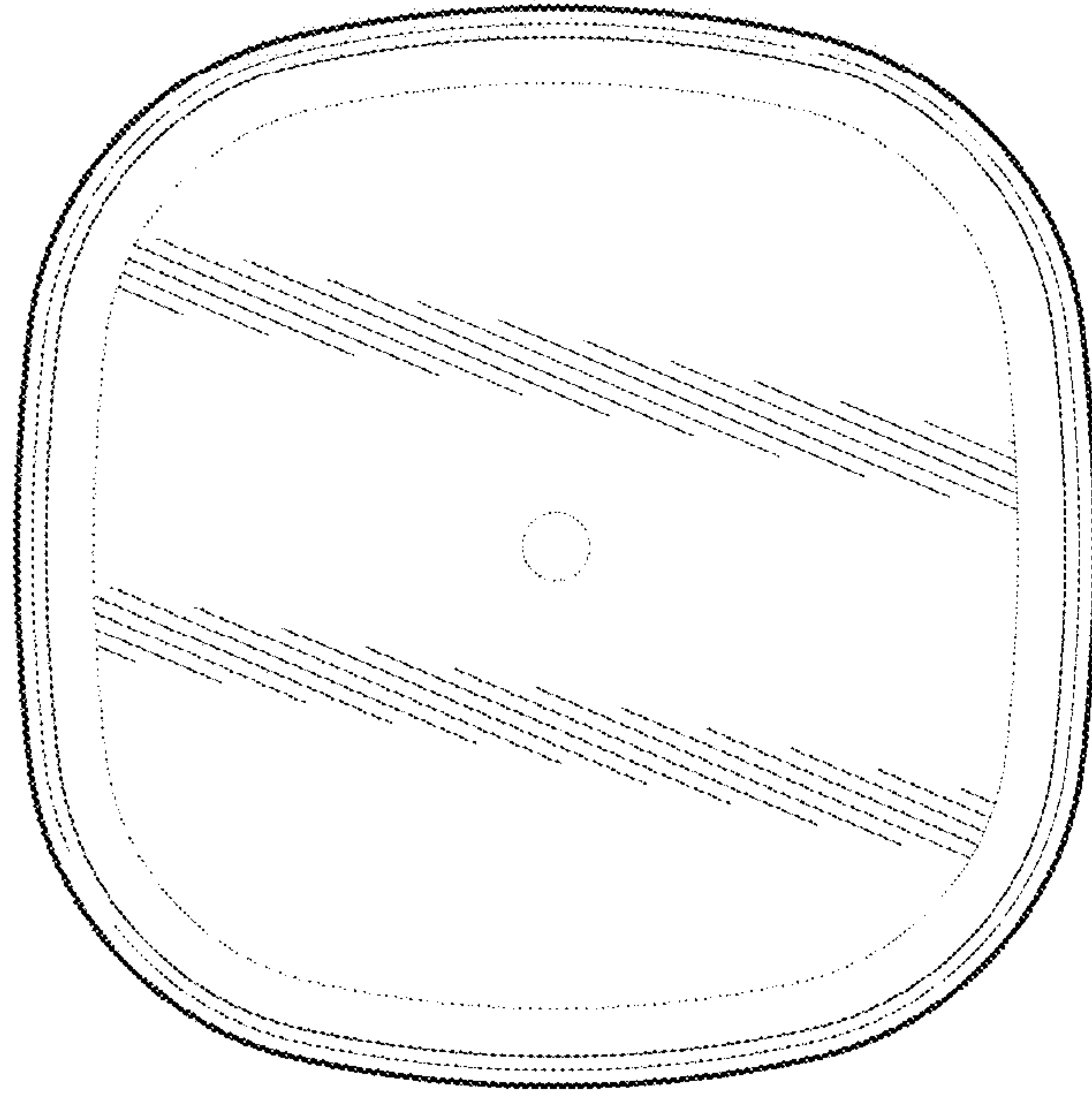


FIG. 10

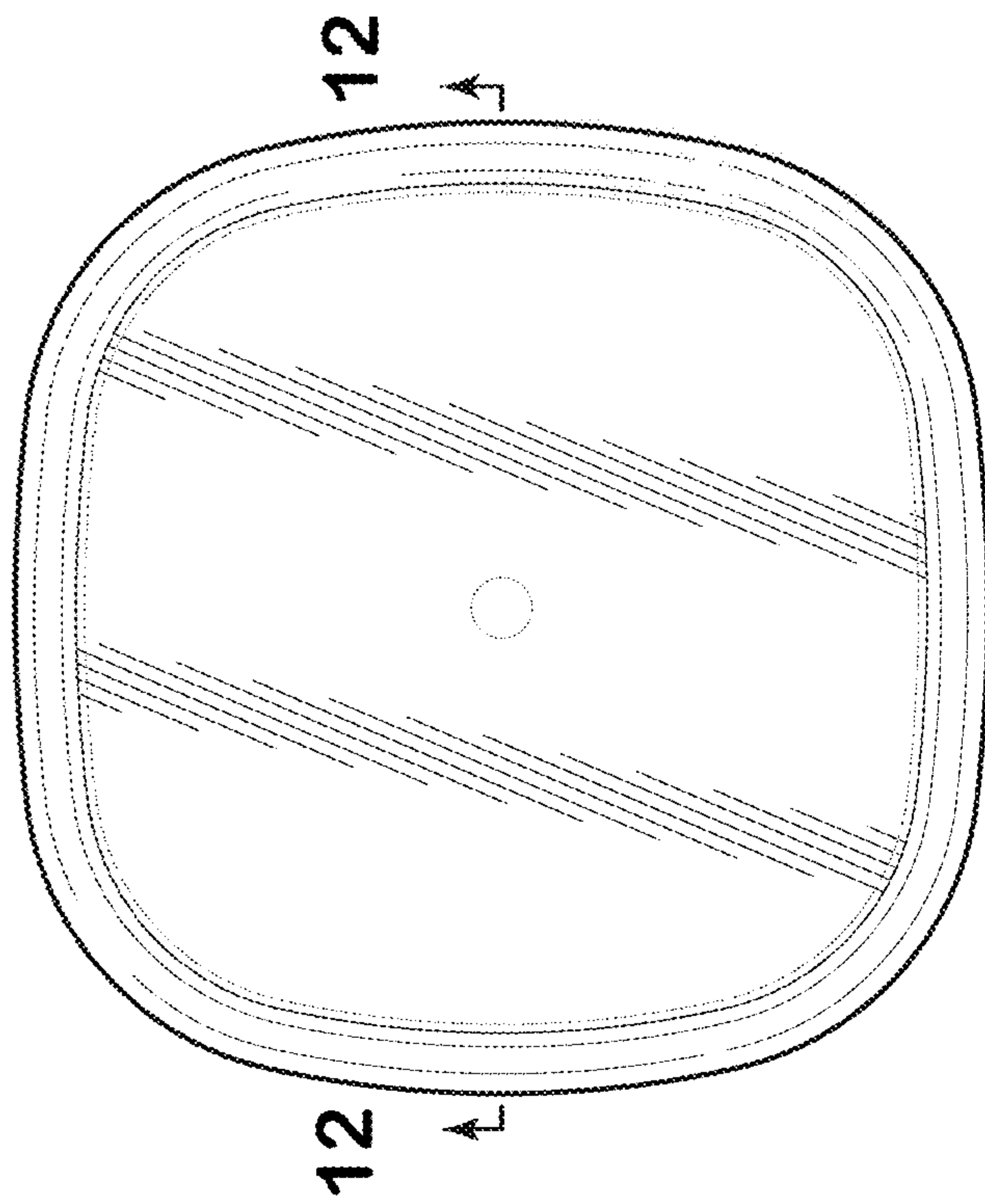


FIG. 9

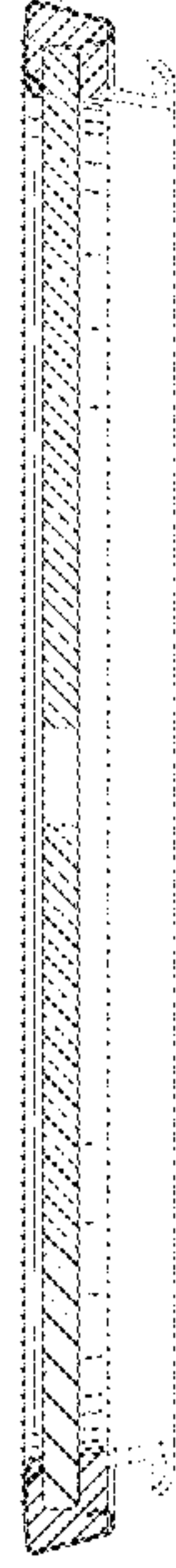


FIG. 11

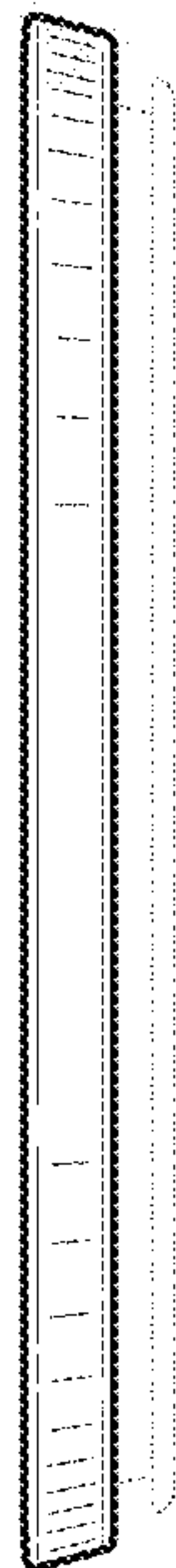


FIG. 12

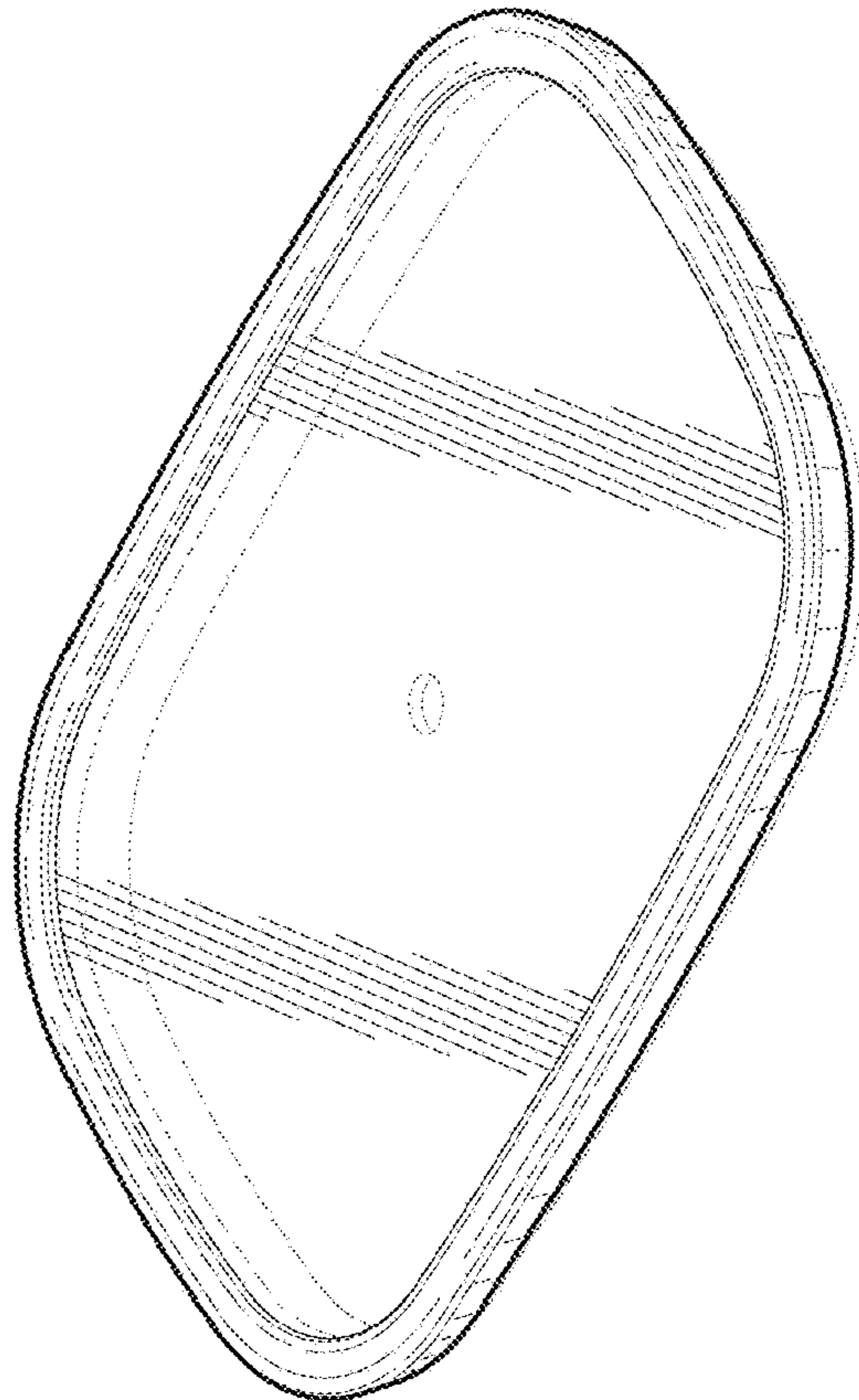


FIG. 13

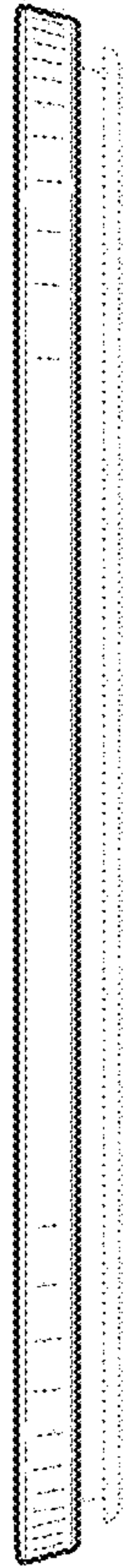


FIG. 14

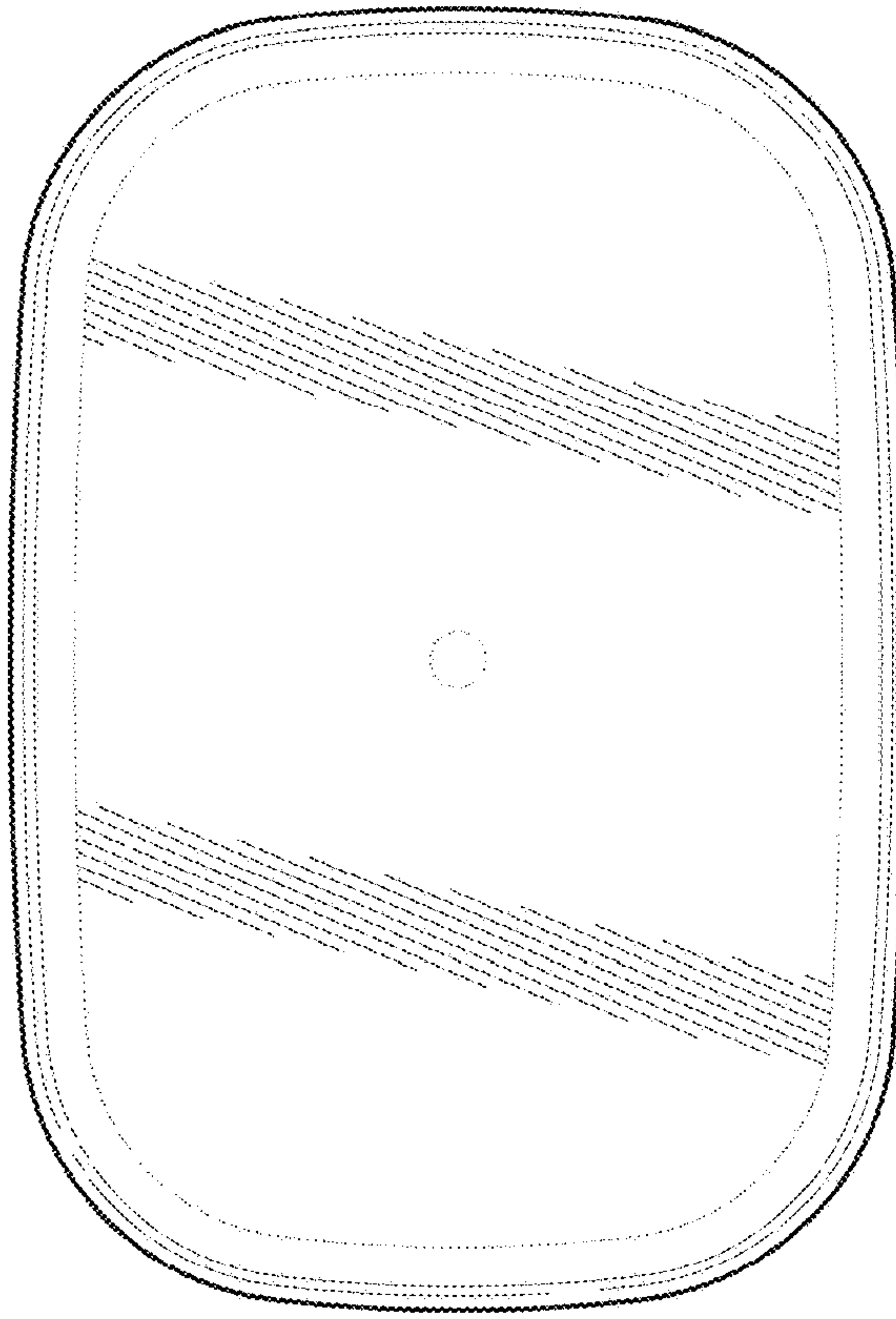


FIG. 16

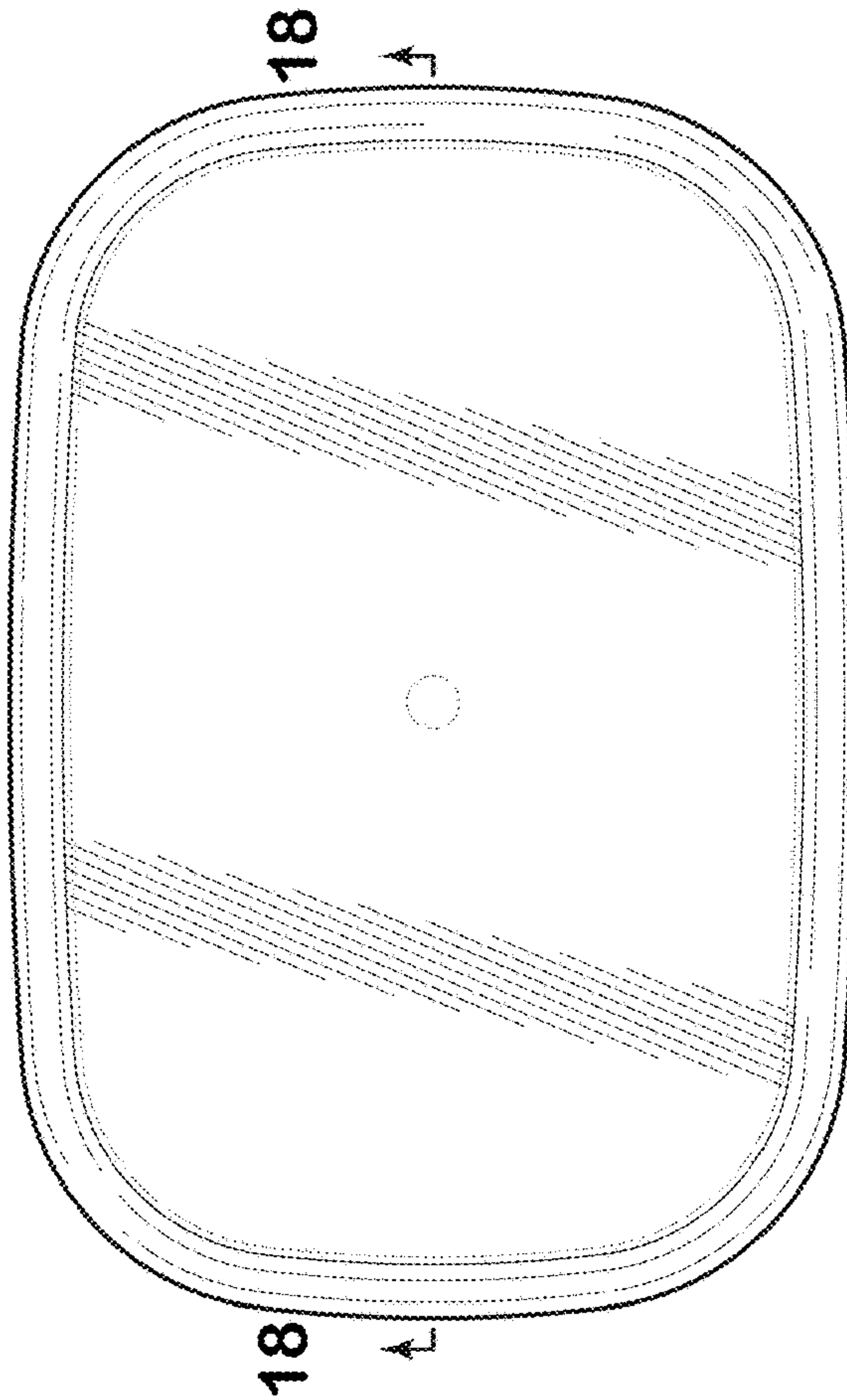


FIG. 15

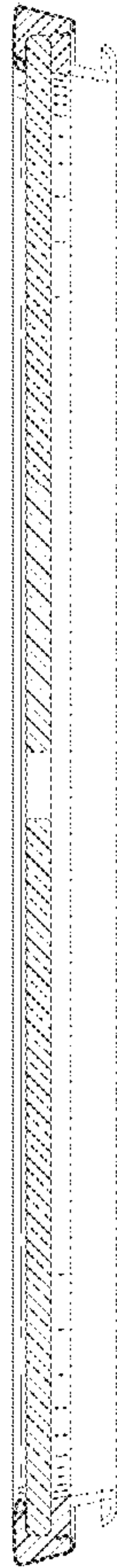


FIG. 18

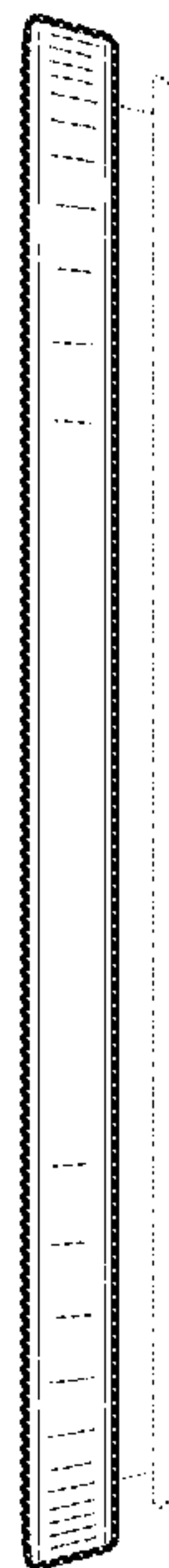


FIG. 17