



US00D889901S

(12) **United States Design Patent**
Cheng et al.

(10) **Patent No.:** **US D889,901 S**
(45) **Date of Patent:** **** Jul. 14, 2020**

(54) **COOKWARE VESSEL BODY**

(71) Applicant: **Meyer Intellectual Properties Limited**,
Kowloon (HK)

(72) Inventors: **Stanley Kin Sui Cheng**, Hillsborough,
CA (US); **Roberto Tarenga**, Milan (IT)

(73) Assignee: **MEYER INTELLECTUAL
PROPERTIES LIMITED**, Hong Kong
(CN)

(**) Term: **15 Years**

(21) Appl. No.: **29/695,278**

(22) Filed: **Jun. 18, 2019**

Related U.S. Application Data

(63) Continuation-in-part of application No. 29/660,109,
filed on Aug. 17, 2018, and a continuation-in-part of
application No. 29/660,102, filed on Aug. 17, 2018.

(51) **LOC (12) Cl.** **07-02**

(52) **U.S. Cl.**
USPC **D7/354; D7/359**

(58) **Field of Classification Search**
USPC D7/323, 354–363, 391, 393–396, 409,
D7/538, 545, 560, 562, 587; D9/429,
D9/500

CPC A47G 19/12; A47J 27/00; A47J 27/002;
A47J 27/08; A47J 27/21; A47J 27/58;
A47J 36/025; A47J 36/02; A47J 36/06;
A47J 36/12; A47J 37/00; A47J 37/10;
A47J 37/101; A47J 37/103; A47J 37/12;
A47J 37/1204; A47J 45/061; A47J
45/071; A47J 45/08; H05B 6/12

See application file for complete search history.

(56) **References Cited**

U.S. PATENT DOCUMENTS

D132,280 S *	5/1942	Miller	D7/560
D328,997 S *	9/1992	Gerlach	D7/354
D414,375 S *	9/1999	Diulius	D7/354
6,267,830 B1 *	7/2001	Groll	A47J 36/02 148/531
D449,204 S	10/2001	Groll	
D474,936 S	5/2003	Groll	
D509,106 S *	9/2005	de Groote	D7/587
D517,865 S *	3/2006	Rocha	D7/562
D588,861 S *	3/2009	Cheng	D7/361
D599,609 S *	9/2009	Ruffoni	D7/354
D606,405 S *	12/2009	Takata	D9/428

(Continued)

Primary Examiner — Ricky Pham

(74) *Attorney, Agent, or Firm* — Edward S. Sherman

(57) **CLAIM**

The ornamental design for a cookware vessel body, as shown and described.

DESCRIPTION

The patent or application file contains at least one drawing executed in color. Copies of this patent or patent application publication with color drawing(s) will be provided by the Office upon request and payment of the necessary fee.

FIG. 1 is a side elevation view of the “cookware vessel body”, showing our new design;

FIG. 2 is a bottom perspective view thereof;

FIG. 3 is a top perspective view thereof;

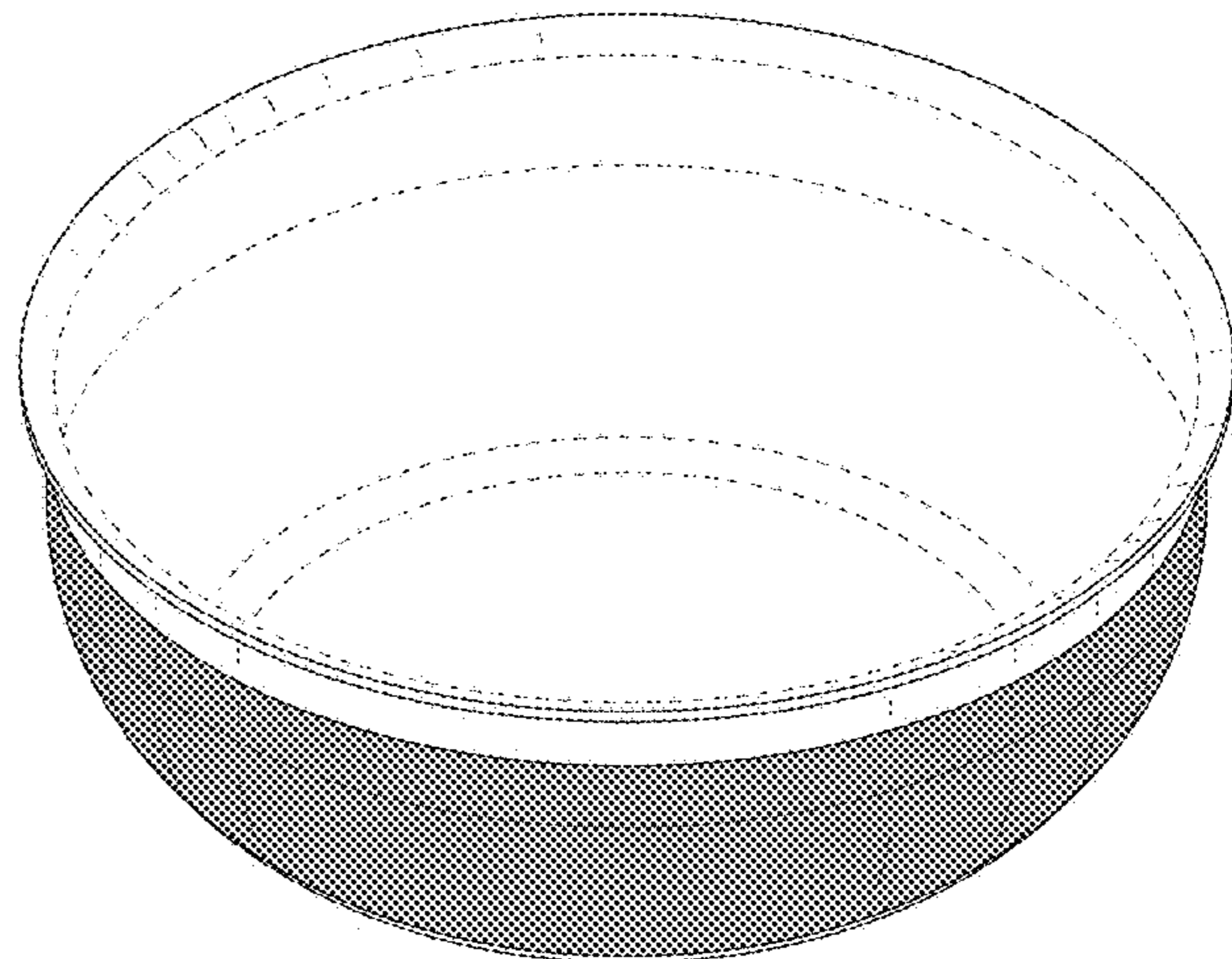
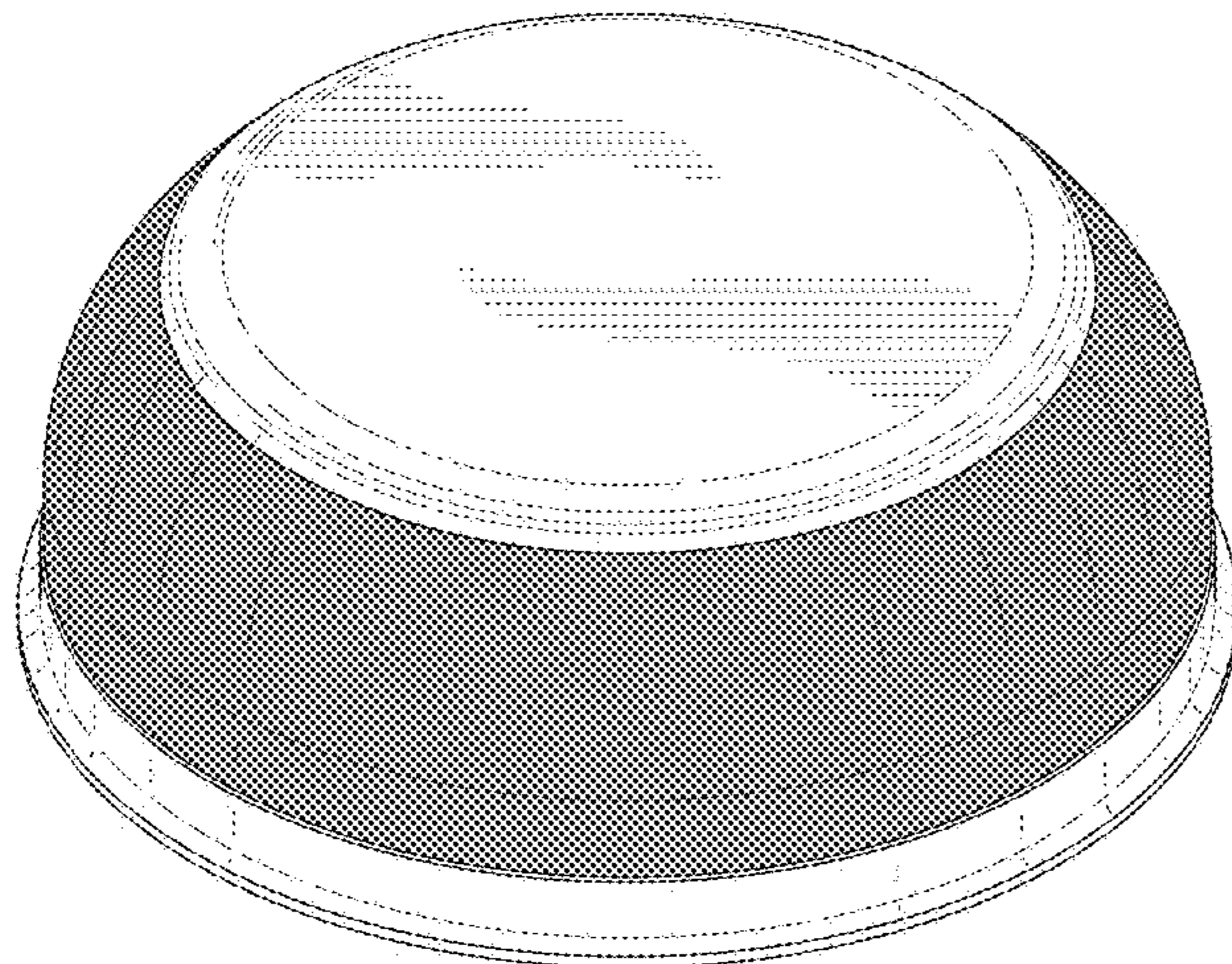
FIG. 4 is a top plan view thereof; and,

FIG. 5 is a bottom plan view thereof.

The color of the embodiments of the design are not limited to the exact hue, brightness an saturation depicted.

The broken lines in various FIGS are for illustrative purposes only, depicting the environment of the new design, forming no part thereof as claimed. The appearance of any portion of the article between broken lines forms no part of the claimed design.

1 Claim, 5 Drawing Sheets
(4 of 5 Drawing Sheet(s) Filed in Color)



(56)

References Cited

U.S. PATENT DOCUMENTS

D625,149	S	*	10/2010	Stamper	D7/538
D629,246	S	*	12/2010	Ruffoni	D7/354
D639,602	S	*	6/2011	Bodum	D7/354
D641,585	S		7/2011	Cheng		
D649,054	S	*	11/2011	Sharma	D7/630
D652,670	S		1/2012	Rae		
D665,627	S	*	8/2012	De Winter	D7/543
8,425,752	B2	*	4/2013	Cheng	A47J 36/02 205/118
D699,067	S	*	2/2014	Cheng	D7/354
D709,317	S	*	7/2014	Cheng	D7/354
D710,686	S	*	8/2014	Gowens	D9/429
D715,092	S	*	10/2014	Thun	D7/354
D738,159	S	*	9/2015	Cheng	D7/354
D750,420	S	*	3/2016	Hu	D7/354
D764,857	S	*	8/2016	McConnell	D7/354
D820,027	S	*	6/2018	Weernink	D7/354
D871,159	S	*	12/2019	Ellison	D7/587
D876,875	S	*	3/2020	Wang	D7/359
D876,876	S	*	3/2020	Wang	D7/359

* cited by examiner

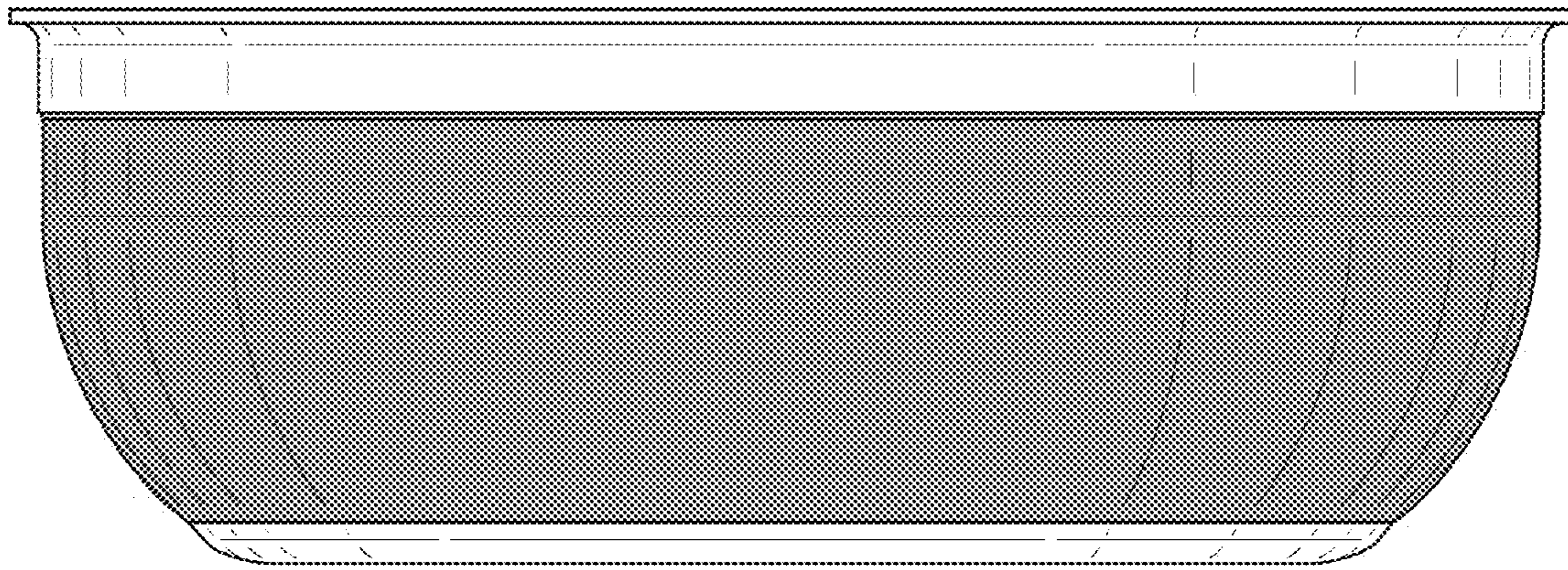


FIG. 1

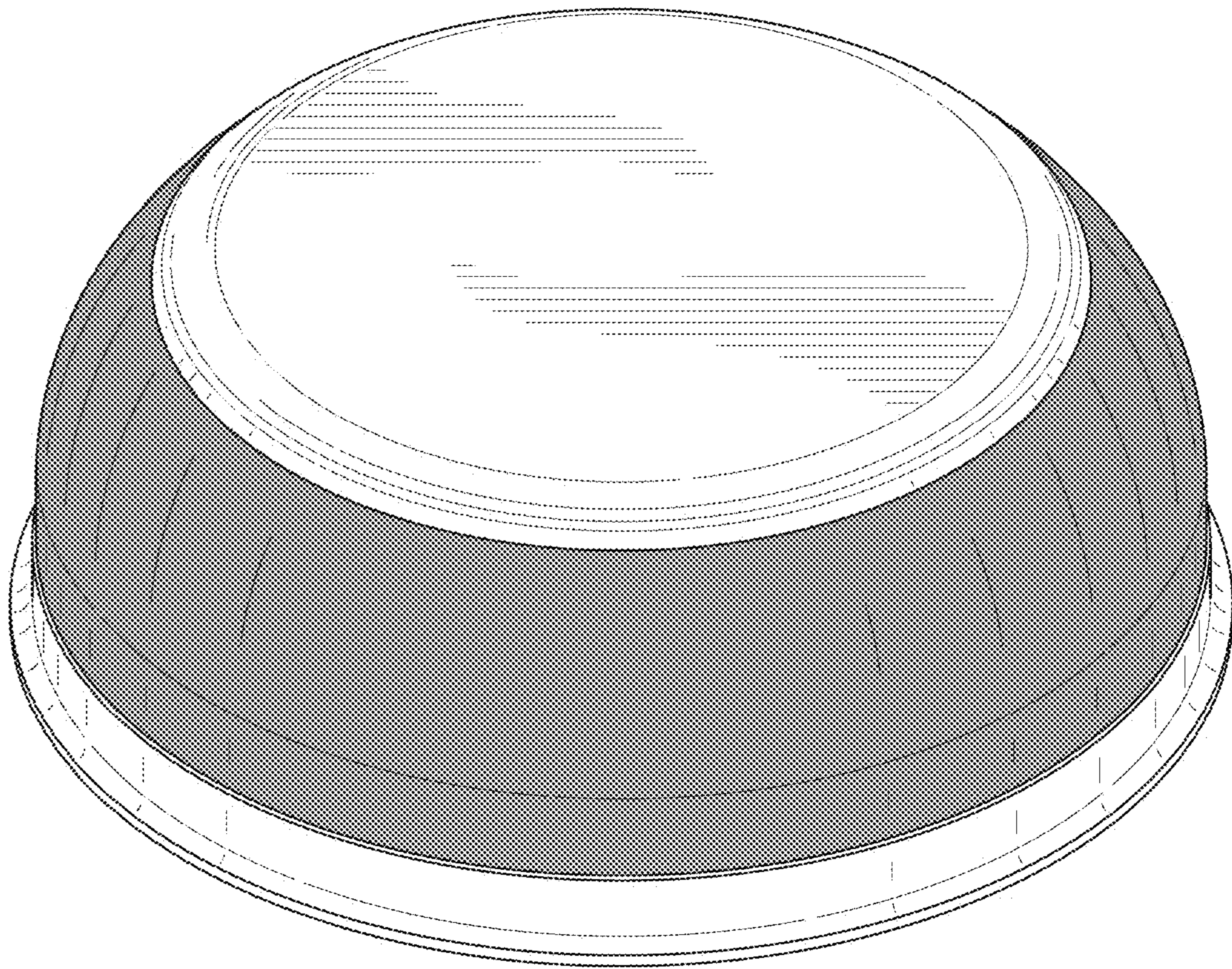


FIG. 2

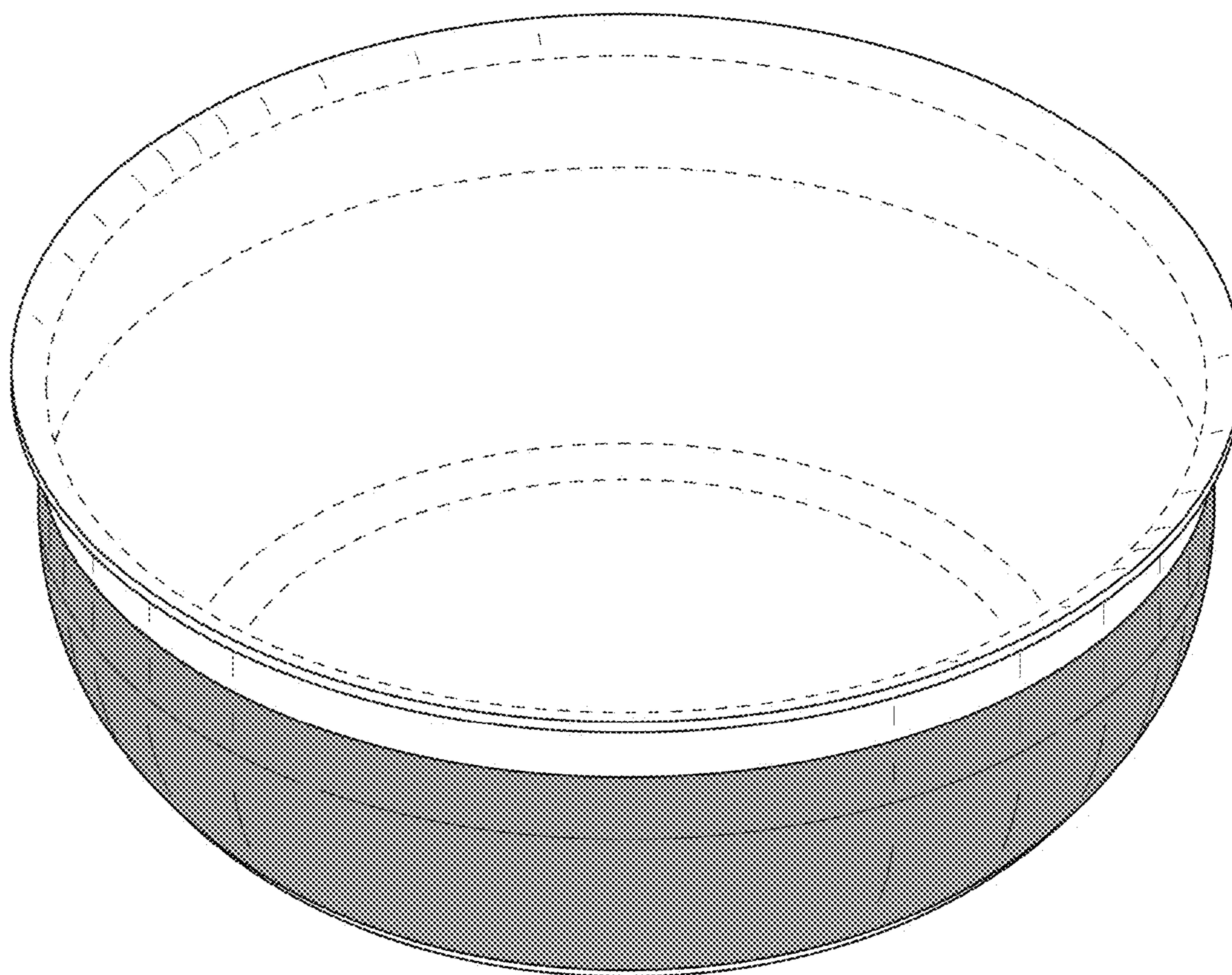


FIG. 3

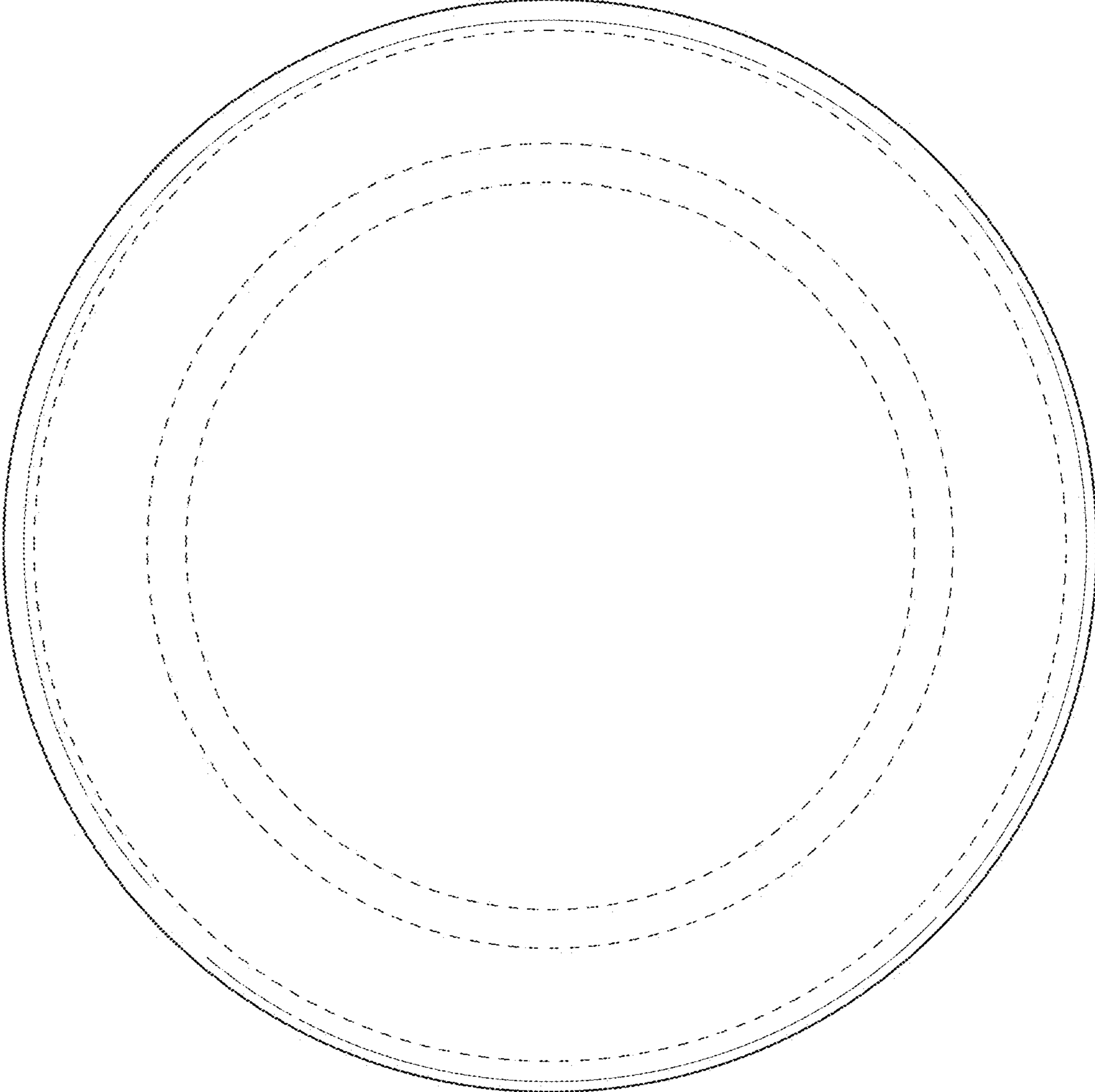


FIG. 4

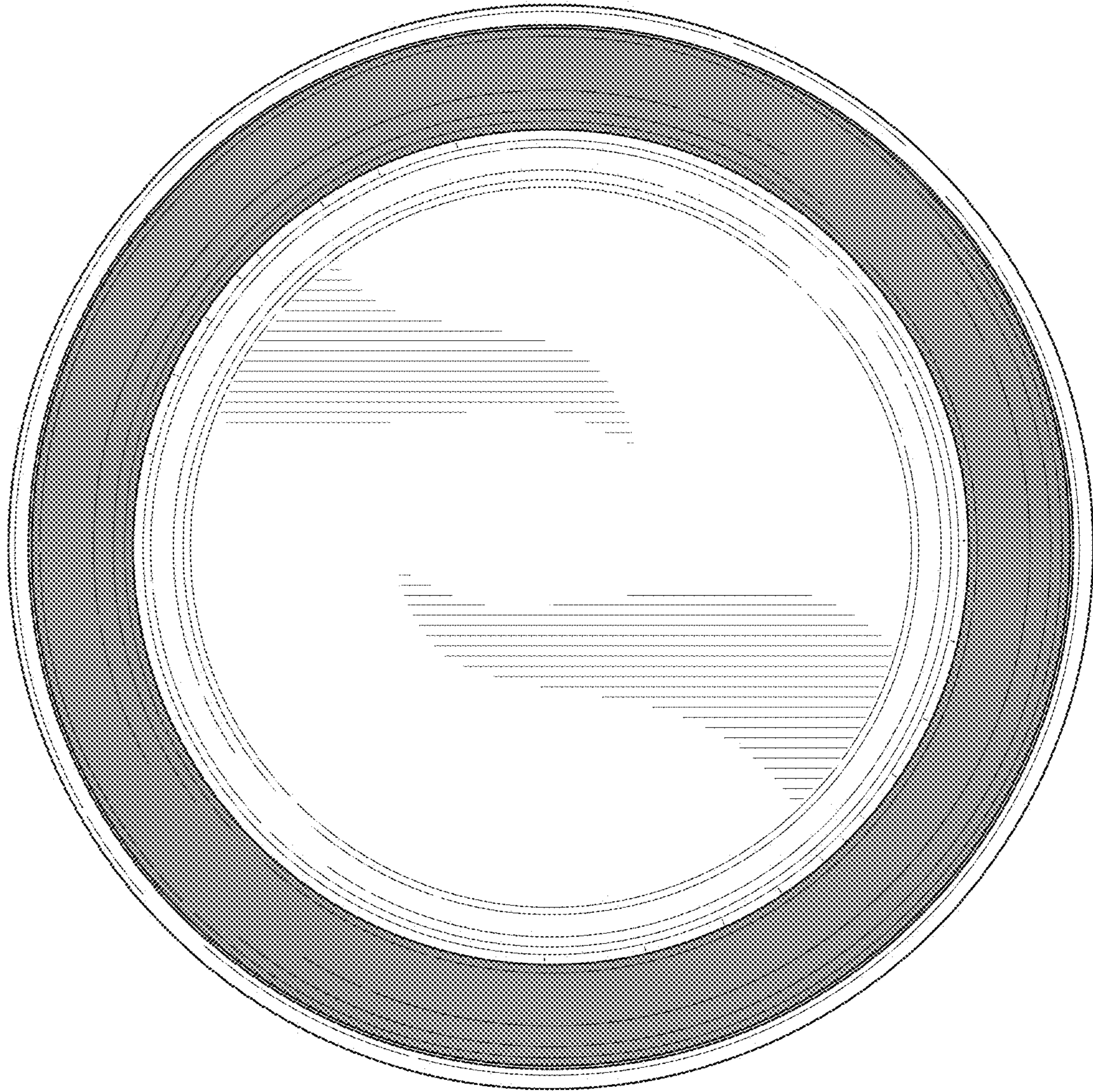


FIG. 5