



US00D889900S

(12) **United States Design Patent**  
**Cheng**

(10) **Patent No.:** **US D889,900 S**

(45) **Date of Patent:** **\*\* Jul. 14, 2020**

(54) **COOKWARE VESSEL BODY**

(71) Applicant: **Meyer Intellectual Properties Ltd.**,  
Kowloon (HK)

(72) Inventor: **Stanley Kin Sui Cheng**, Hillsborough,  
CA (US)

(73) Assignee: **MEYER INTELLECTUAL  
PROPERTIES LIMITED**, Hong Kong  
(CN)

(\*\*) Term: **15 Years**

(21) Appl. No.: **29/660,109**

(22) Filed: **Aug. 17, 2018**

(51) **LOC (12) Cl.** ..... **07-02**

(52) **U.S. Cl.**  
USPC ..... **D7/354**

(58) **Field of Classification Search**  
USPC ..... D7/323, 354–363, 391, 393–396, 409,  
D7/538, 545, 560, 562, 587; D9/429,  
D9/500  
CPC ..... A47G 19/12; A47J 27/00; A47J 27/002;  
A47J 27/08; A47J 27/21; A47J 27/58;  
A47J 36/025; A47J 36/02; A47J 36/06;  
A47J 36/12; A47J 37/00; A47J 37/10;  
A47J 37/101; A47J 37/103; A47J 37/12;  
A47J 37/1204; A47J 45/061; A47J  
45/071; A47J 45/08; H05B 6/12  
See application file for complete search history.

(56) **References Cited**

**U.S. PATENT DOCUMENTS**

D132,280 S *	5/1942	Miller	.....	D7/560
D328,997 S *	9/1992	Gerlach	.....	D7/354
D414,375 S *	9/1999	Diulus	.....	D7/354
6,267,830 B1 *	7/2001	Groll	.....	A47J 36/02 148/531

(Continued)

*Primary Examiner* — Ricky Pham

(74) *Attorney, Agent, or Firm* — Edward S. Sherman

(57) **CLAIM**

The ornamental design for a cookware vessel body, as shown and described.

**DESCRIPTION**

The patent or application file contains at least one drawing executed in color. Copies of this patent or patent application publication with color drawing(s) will be provided by the Office upon request and payment of the necessary fee.

FIG. 1 is a side elevation view of a first embodiment of the “cookware vessel body”, showing my new design;

FIG. 2 is a bottom perspective view thereof;

FIG. 3 is a top perspective view thereof;

FIG. 4 is a top plan view thereof;

FIG. 5 is a bottom plan view thereof;

FIG. 6 is a side elevation view of a second embodiment of the “cookware vessel body”, showing my new design;

FIG. 7 is a bottom perspective view thereof;

FIG. 8 is a top perspective view thereof;

FIG. 9 is a top plan view thereof;

FIG. 10 is a bottom plan view thereof;

FIG. 11 is a side elevation view of a third embodiment of the “cookware vessel body”, showing my new design;

FIG. 12 is a bottom perspective view thereof;

FIG. 13 is a top perspective view thereof;

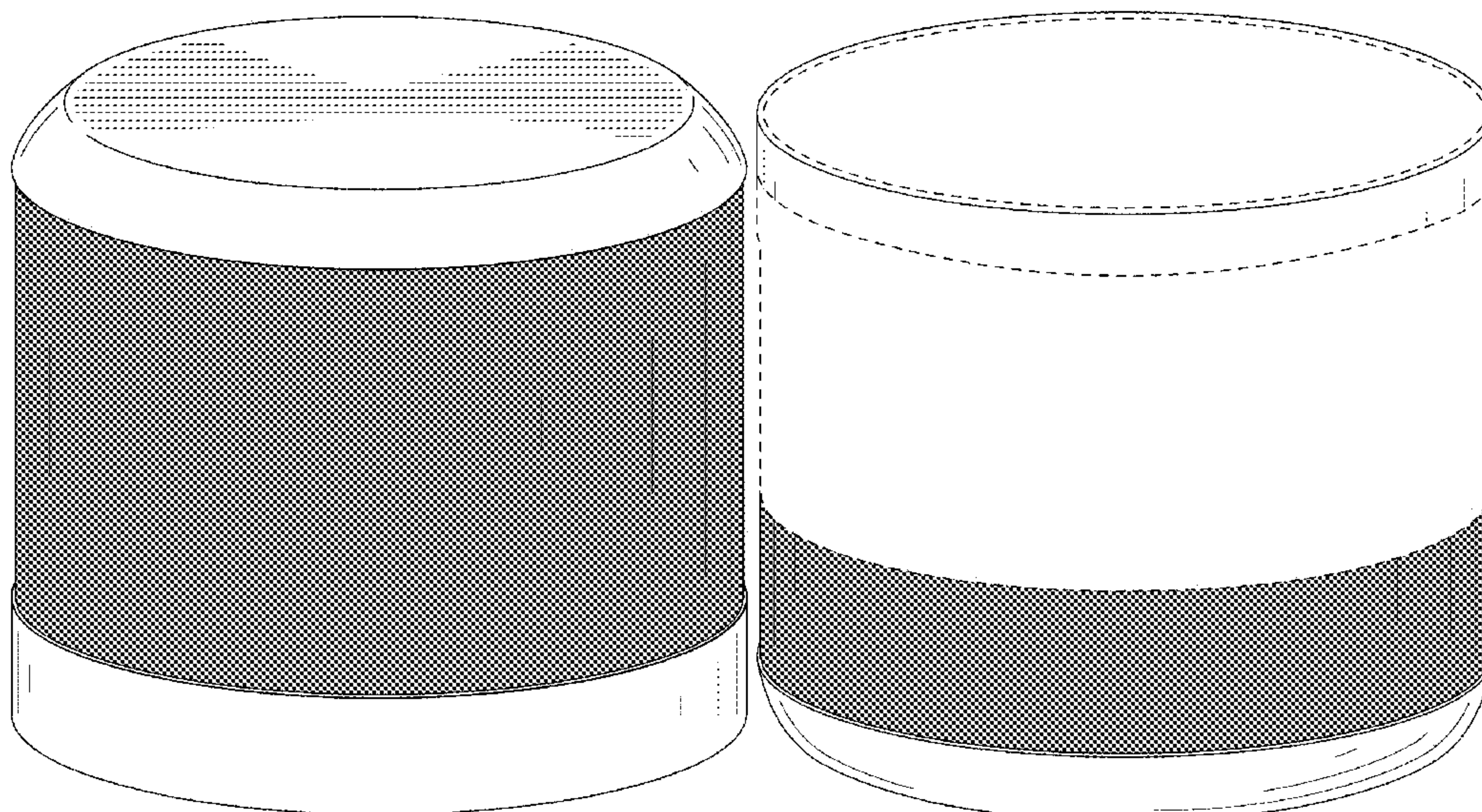
FIG. 14 is a top plan view thereof; and,

FIG. 15 is a bottom plan view thereof.

The color of the embodiments of the design are not limited to the exact hue, brightness and saturation depicted.

The broken lines in various FIGS are for illustrative purposes only, depicting the environment of the new design, forming no part thereof as claimed. The appearance of any portion of the article between broken lines forms no part of the claimed design.

**1 Claim, 12 Drawing Sheets**  
**(9 of 12 Drawing Sheet(s) Filed in Color)**



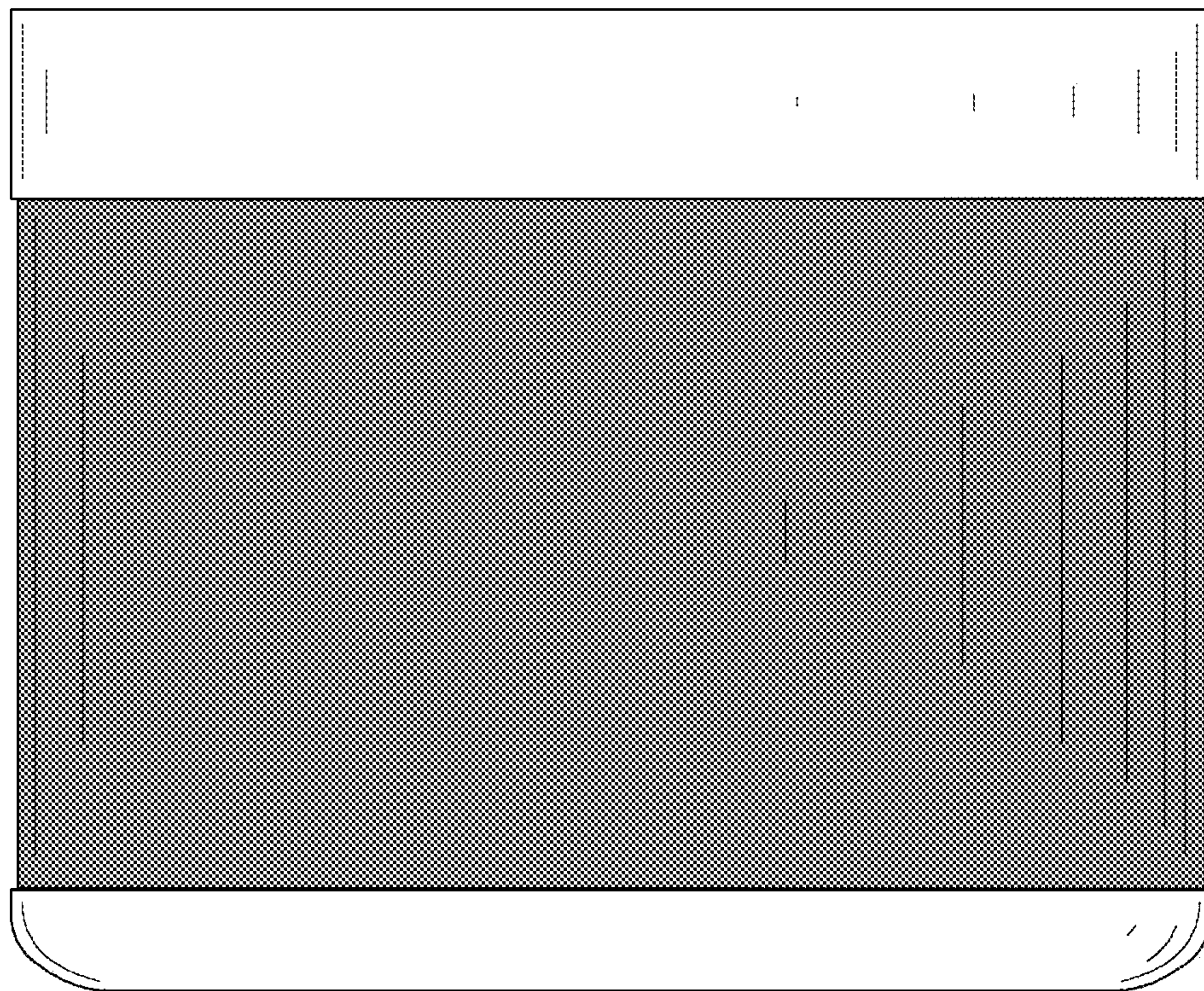
(56)

**References Cited**

U.S. PATENT DOCUMENTS

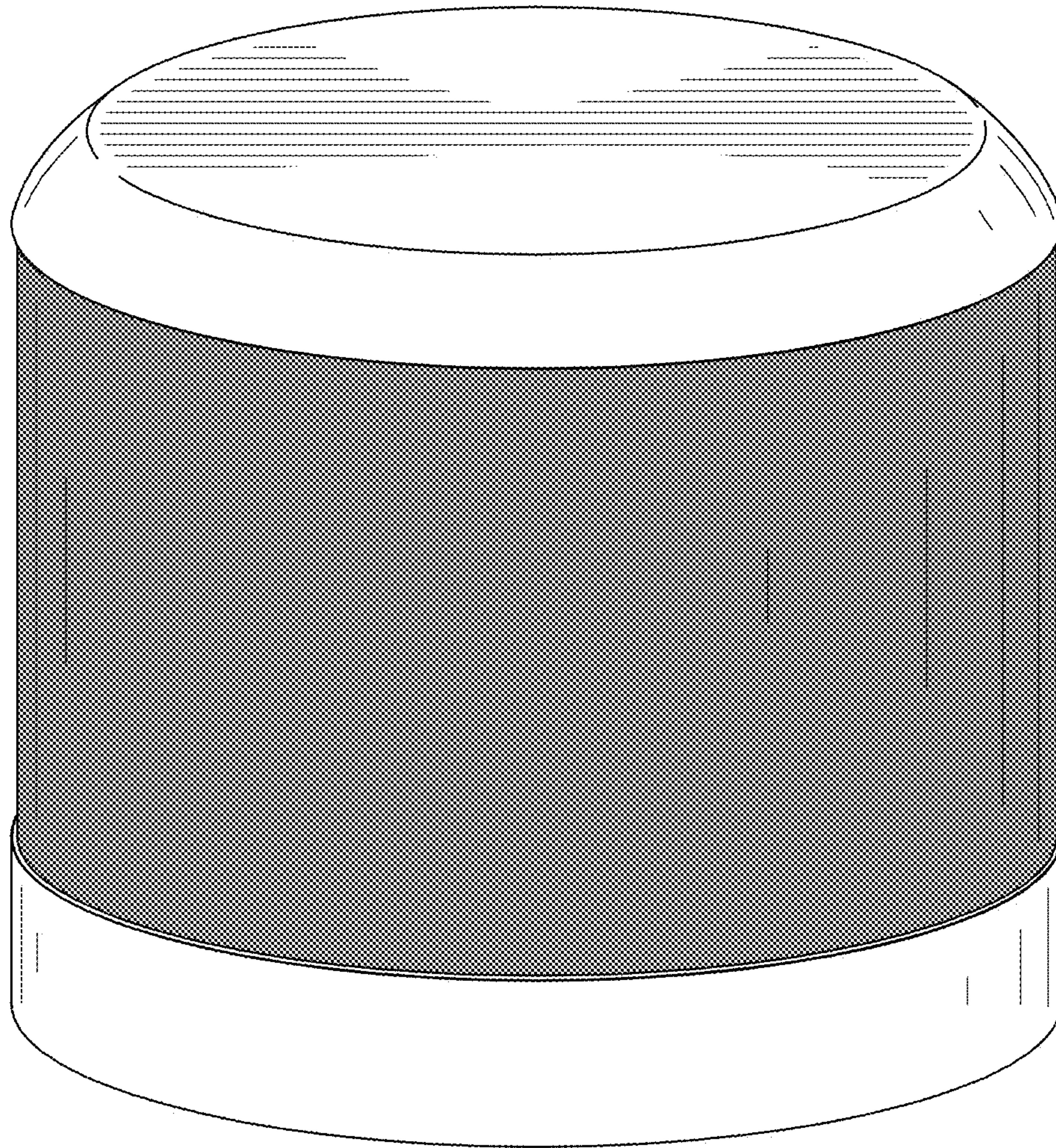
D449,204	S	10/2001	Groll	
D474,936	S	5/2003	Groll	
D509,106	S *	9/2005	de Groote .....	D7/587
D517,865	S *	3/2006	Rocha .....	D7/562
D588,861	S *	3/2009	Cheng .....	D7/361
D599,609	S *	9/2009	Ruffoni .....	D7/354
D606,405	S *	12/2009	Takata .....	D9/428
D625,149	S *	10/2010	Stamper .....	D7/538
D629,246	S *	12/2010	Ruffoni .....	D7/354
D639,602	S *	6/2011	Bodum .....	D7/354
D641,585	S	7/2011	Cheng	
D649,054	S *	11/2011	Sharma .....	D7/630
D652,670	S	1/2012	Rae	
D665,627	S *	8/2012	De Winter .....	D7/543
8,425,752	B2 *	4/2013	Cheng .....	A47J 36/02 205/118
D699,067	S *	2/2014	Cheng .....	D7/354
D709,317	S *	7/2014	Cheng .....	D7/354
D710,686	S *	8/2014	Gowens .....	D9/429
D715,092	S *	10/2014	Thun .....	D7/354
D738,159	S *	9/2015	Cheng .....	D7/354
D750,420	S *	3/2016	Hu .....	D7/354
D764,857	S *	8/2016	McConnell .....	D7/354
D820,027	S *	6/2018	Weernink .....	D7/354
D871,159	S *	12/2019	Ellison .....	D7/587
D876,875	S *	3/2020	Wang .....	D7/359
D876,876	S *	3/2020	Wang .....	D7/359

\* cited by examiner

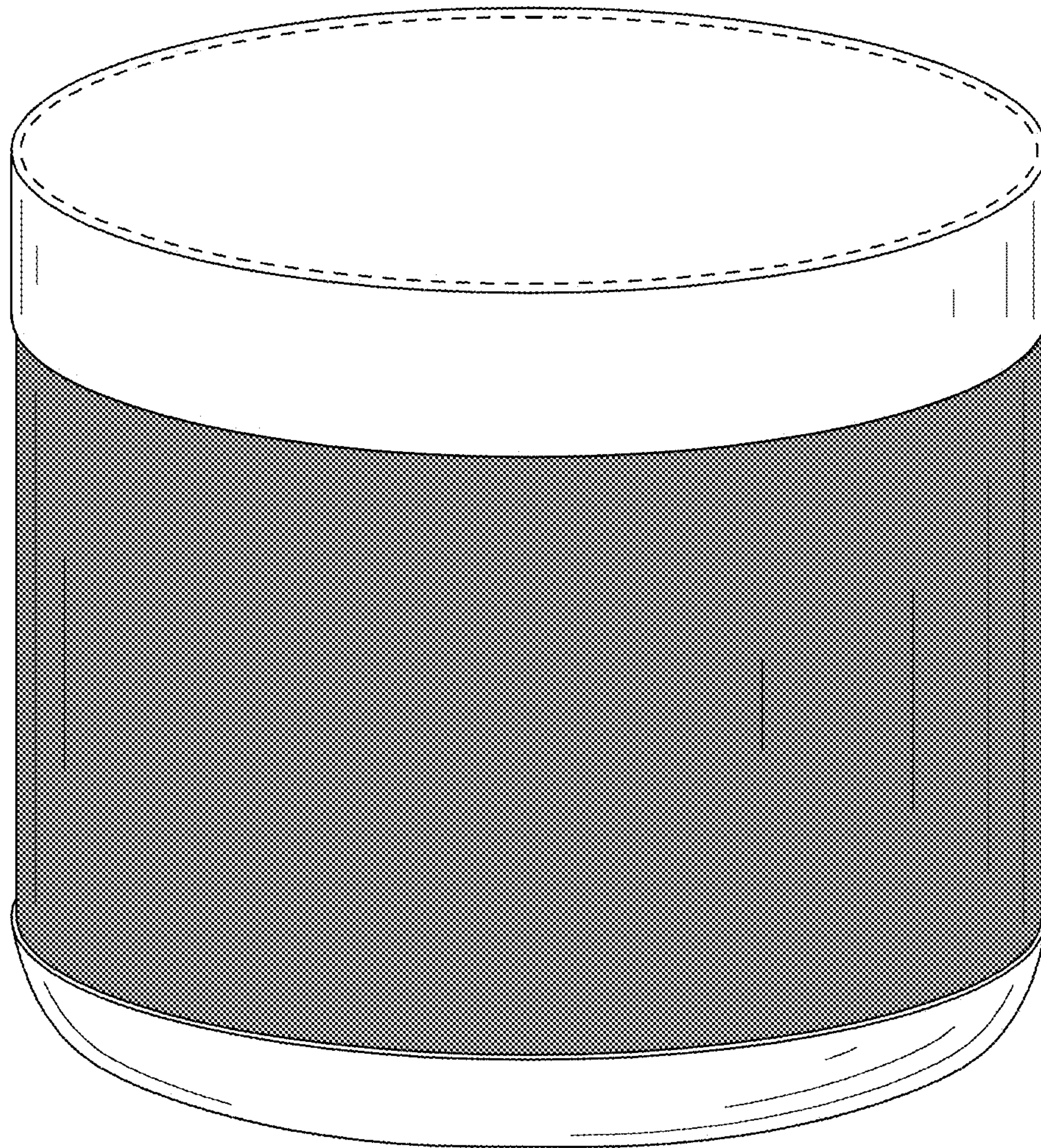


*FIG. 1*





**FIG. 2**



**FIG. 3**

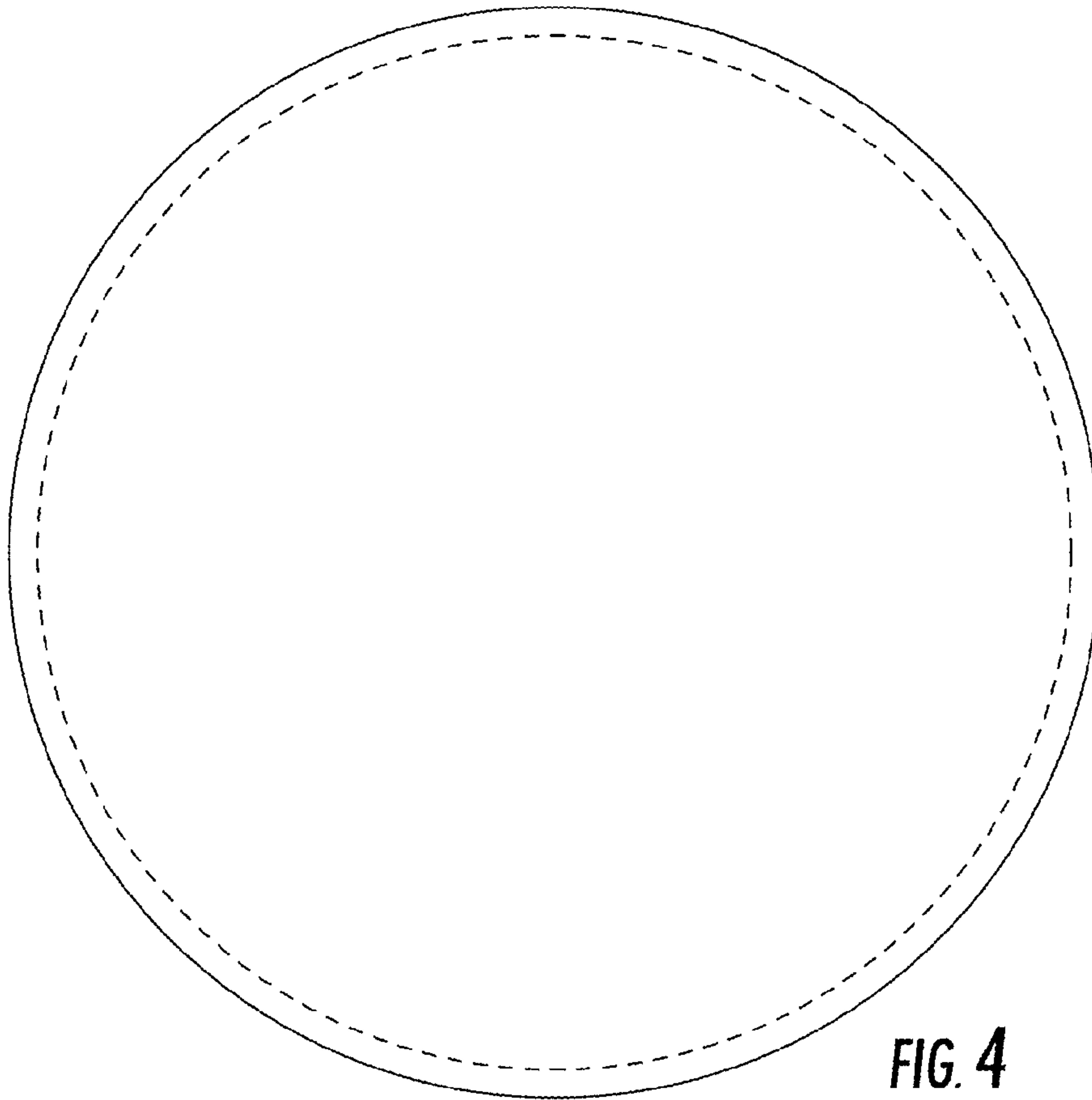


FIG. 4

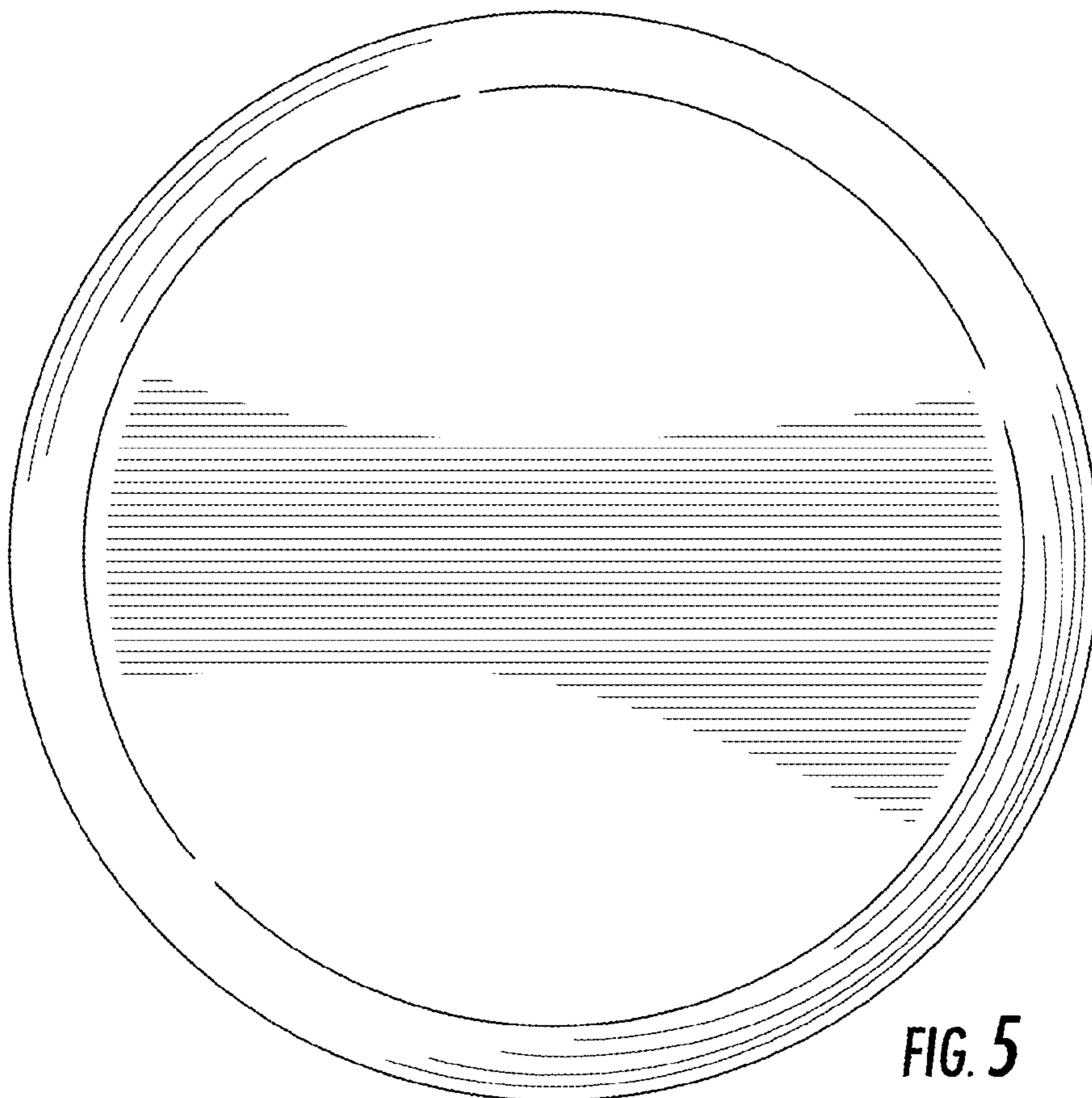


FIG. 5

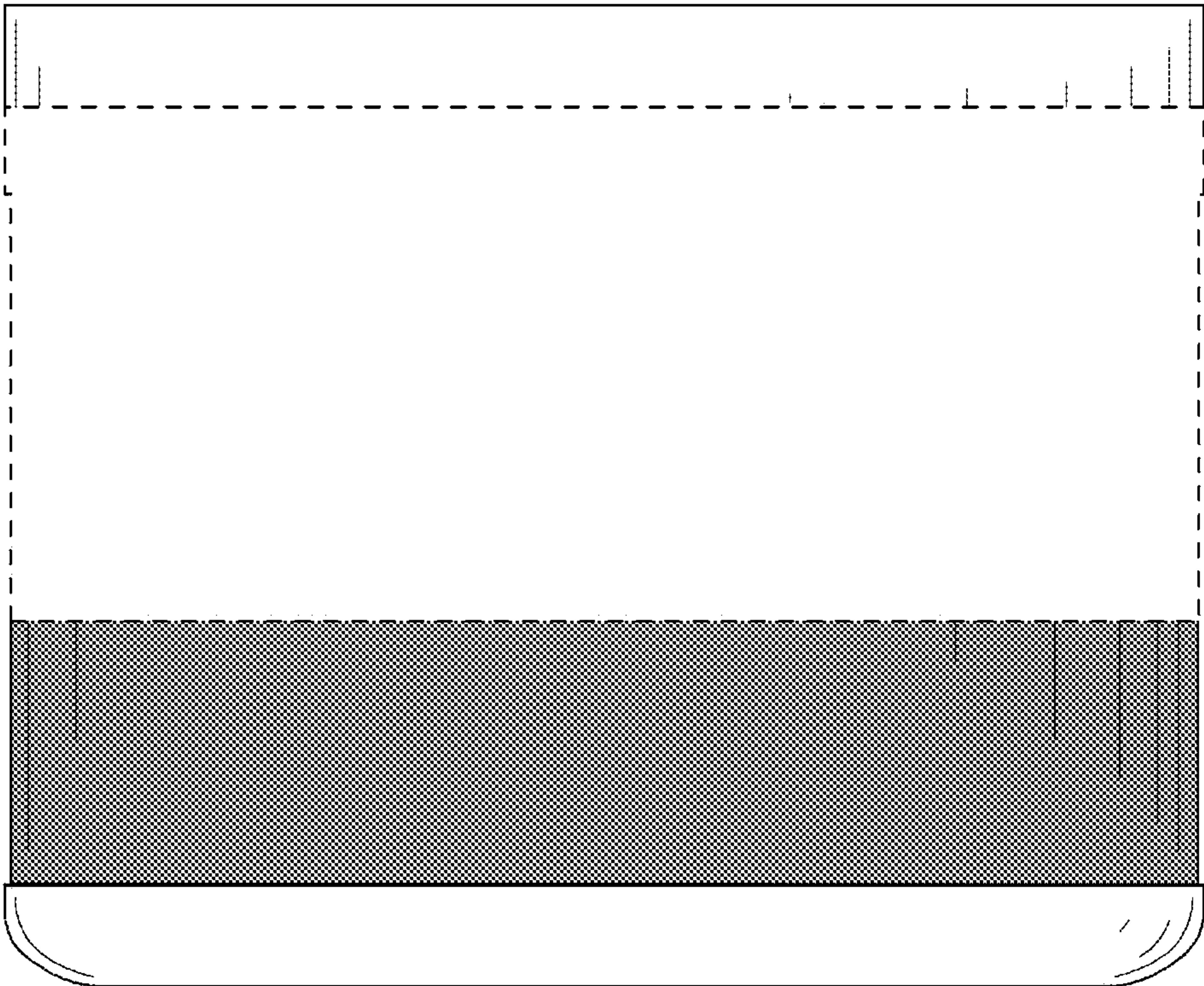
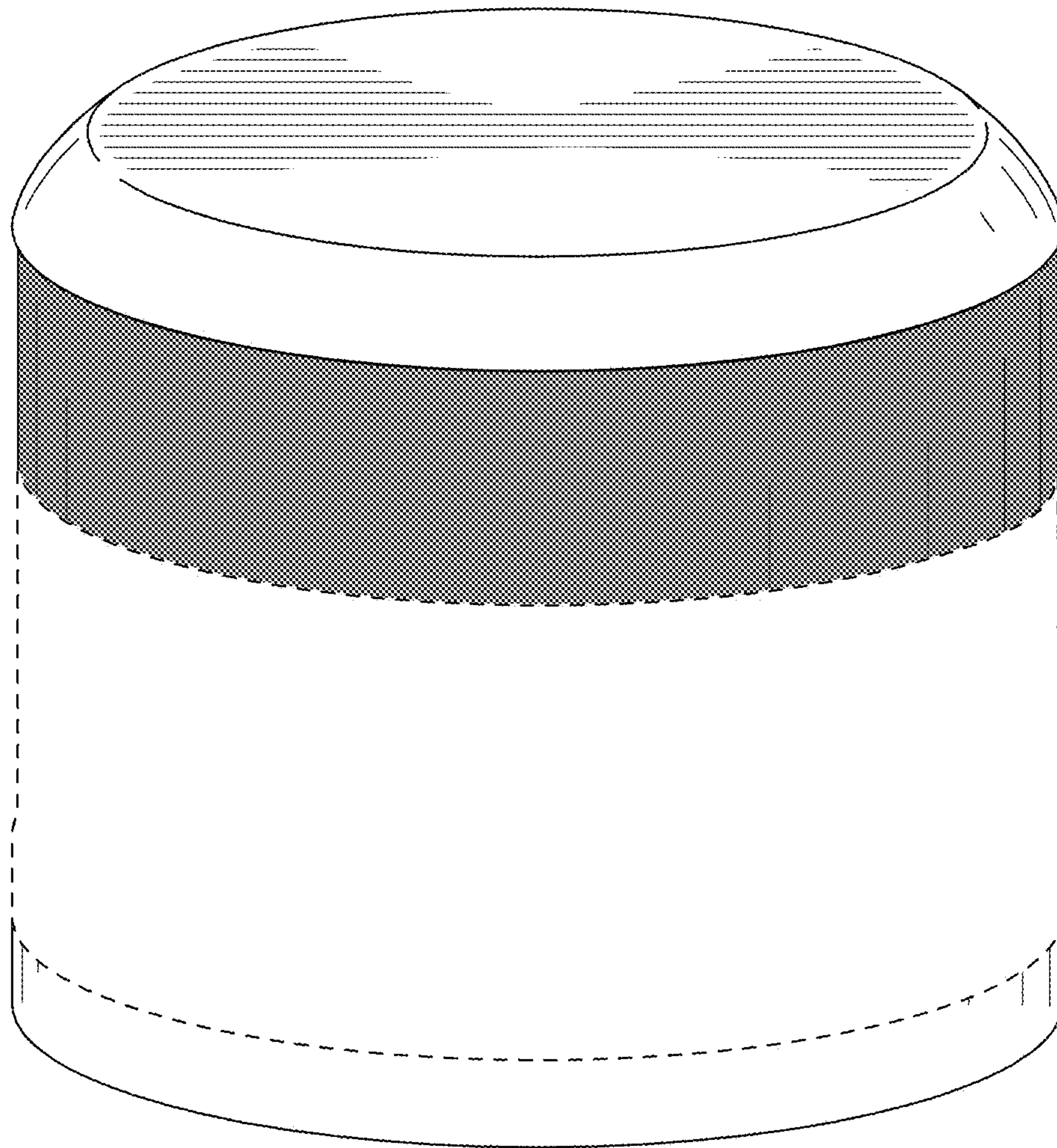


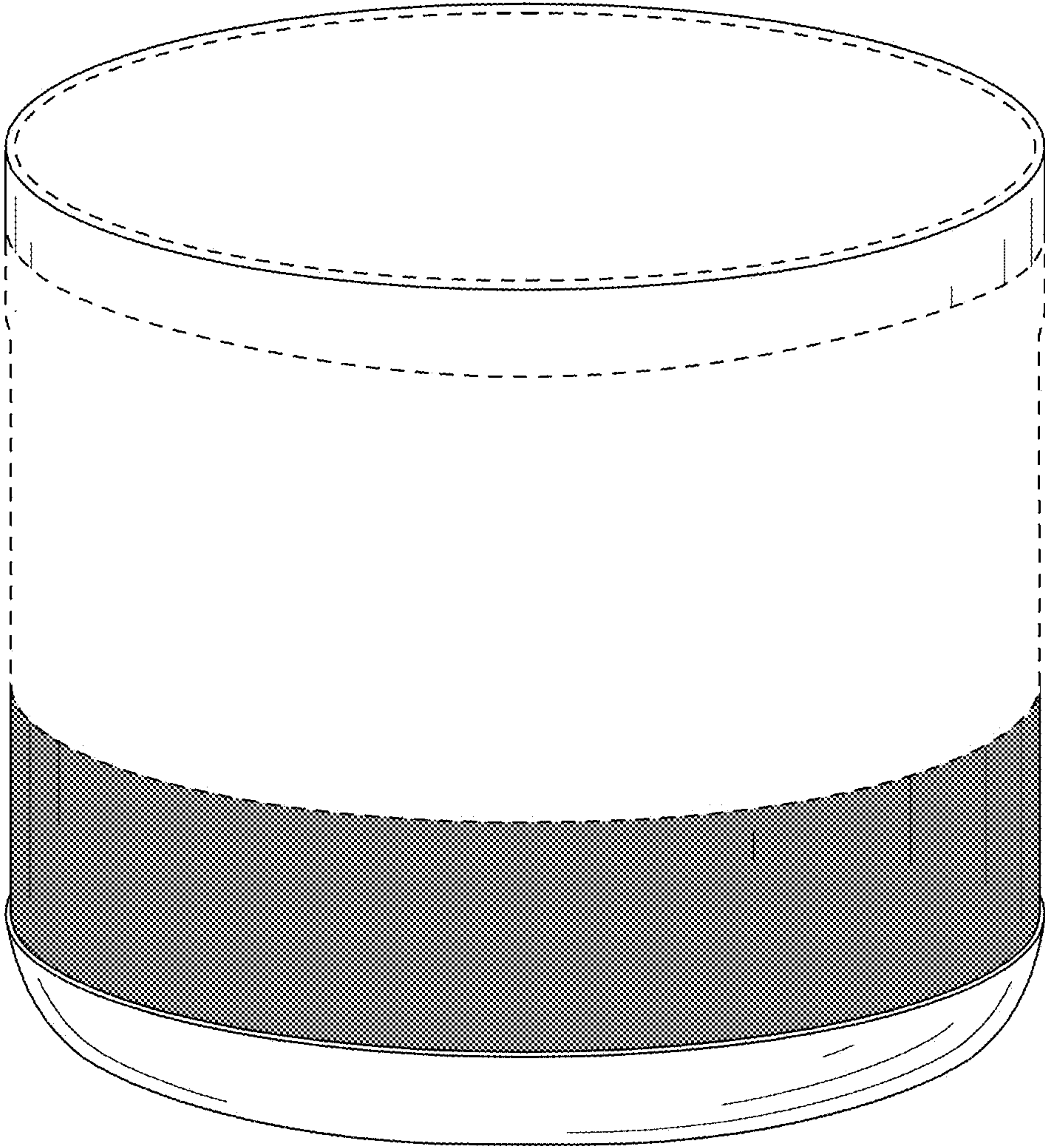
FIG. 6



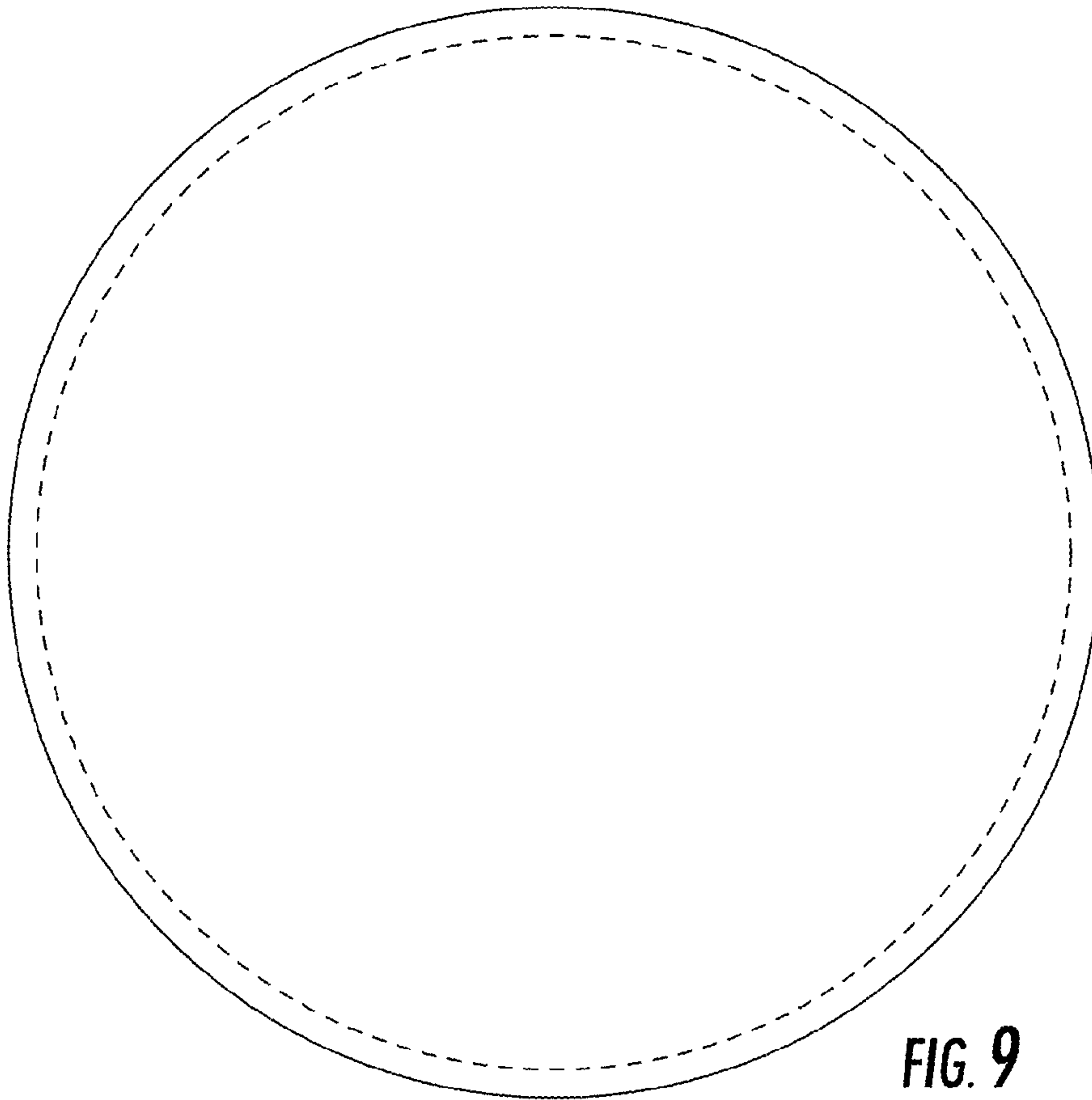


**FIG. 7**

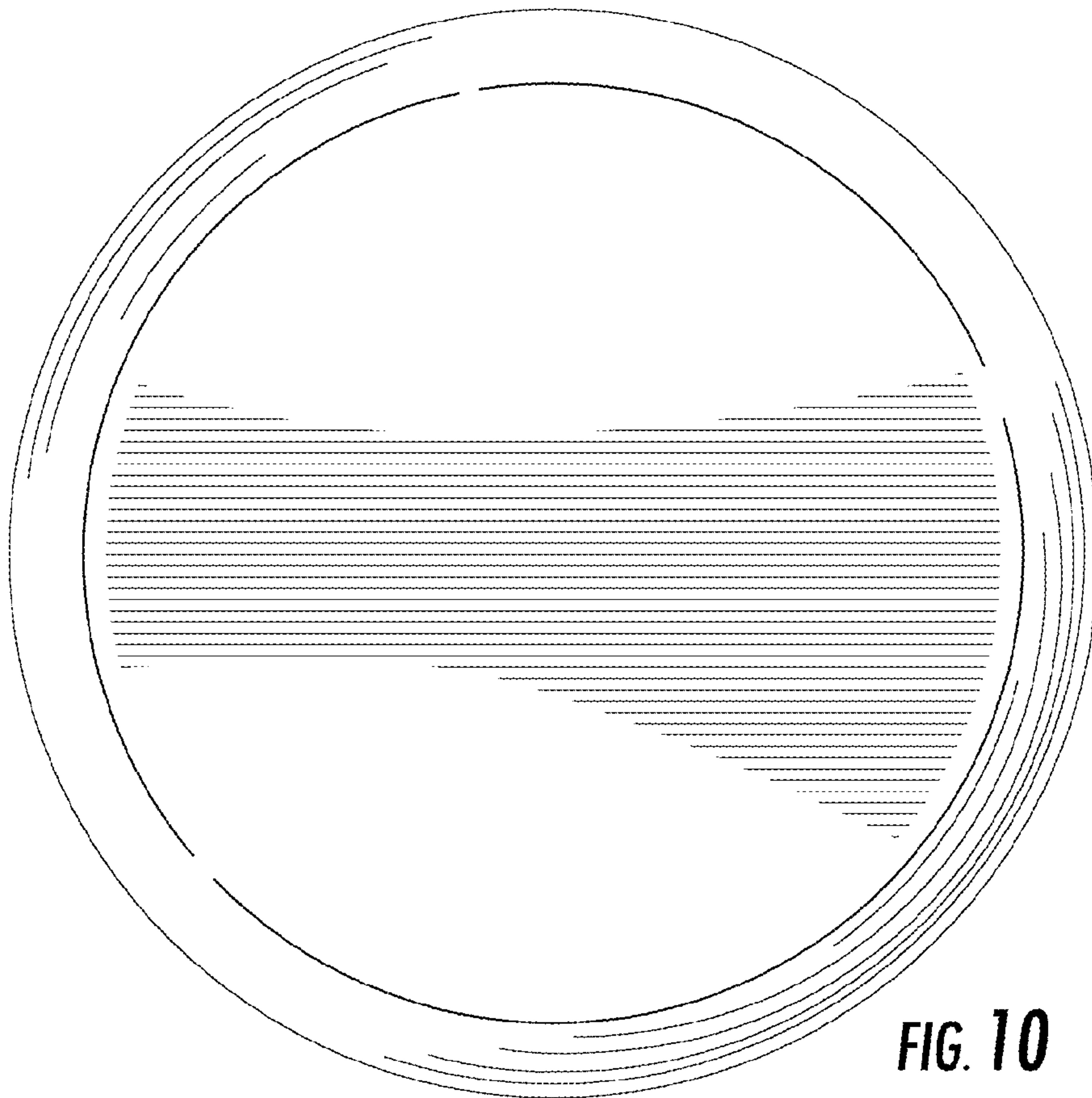




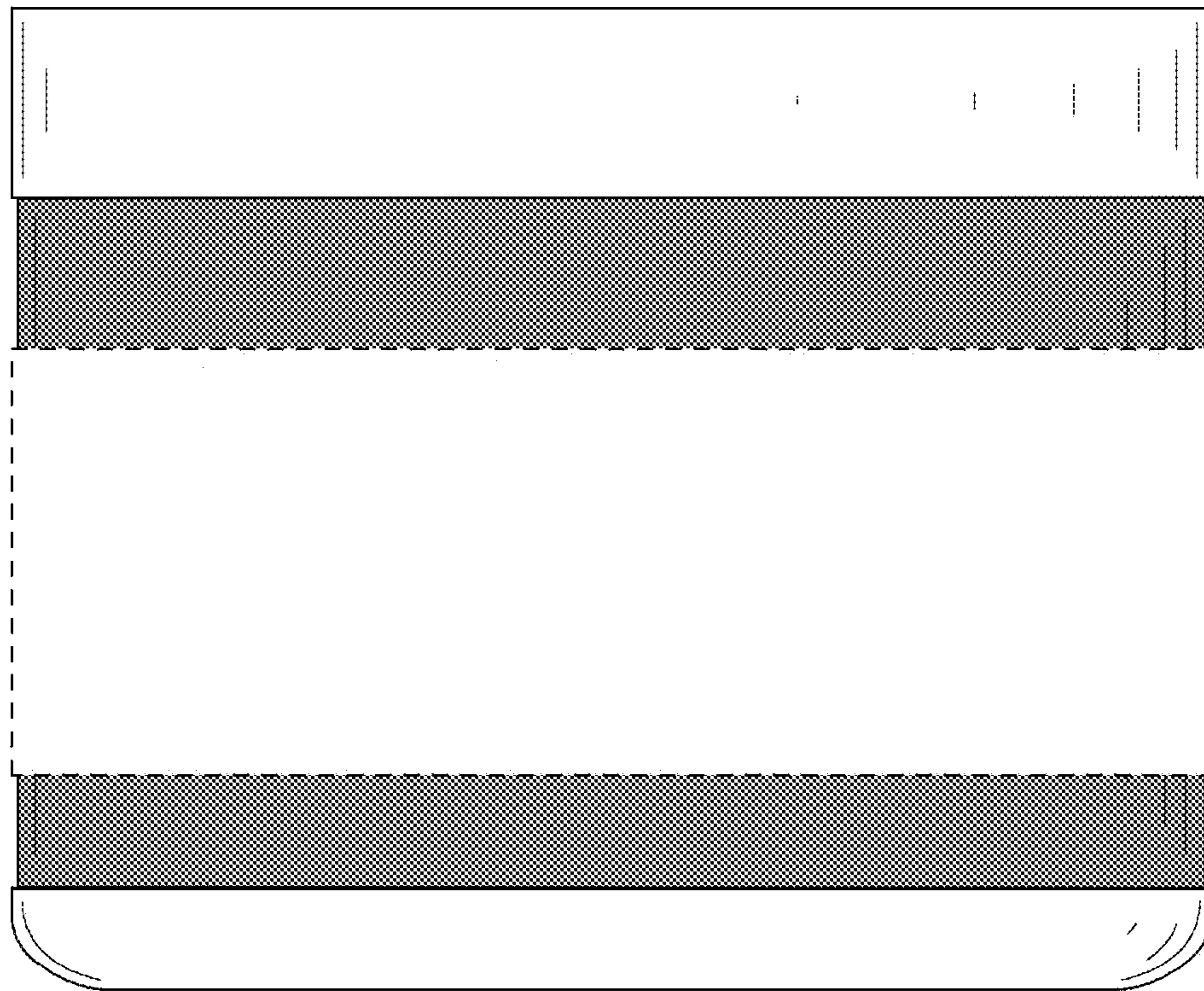
**FIG. 8**



**FIG. 9**

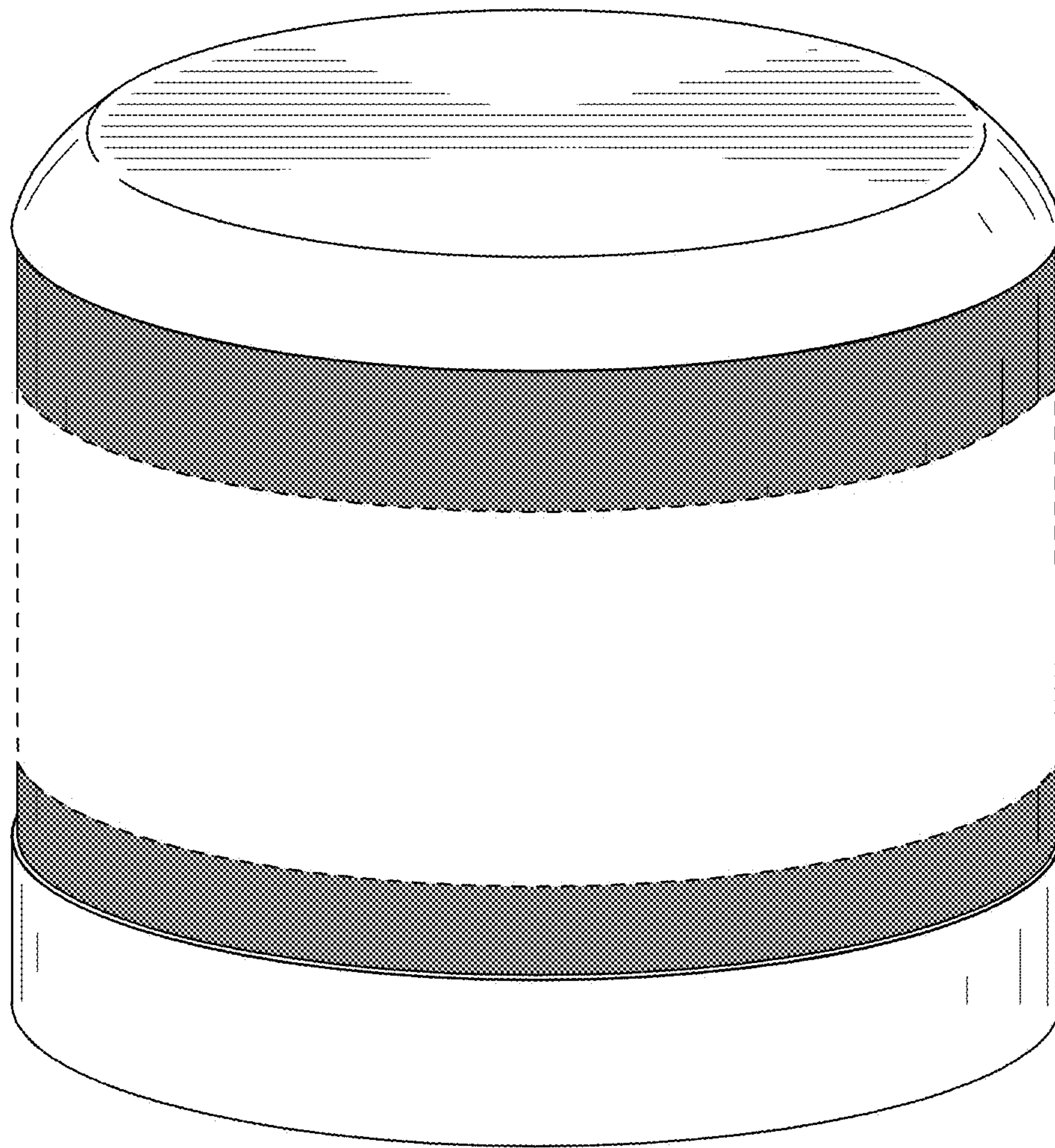


**FIG. 10**

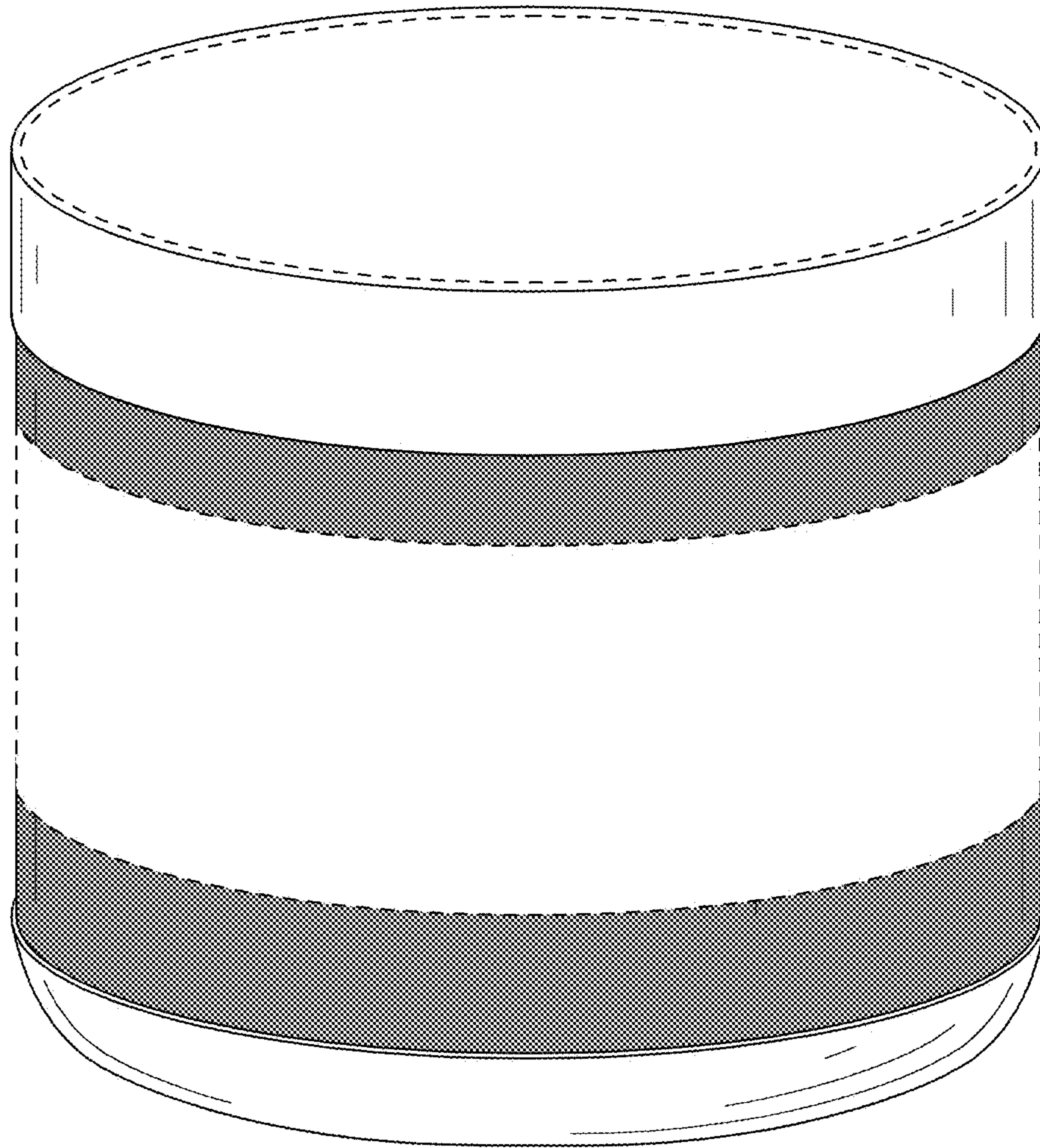


**FIG. 11**

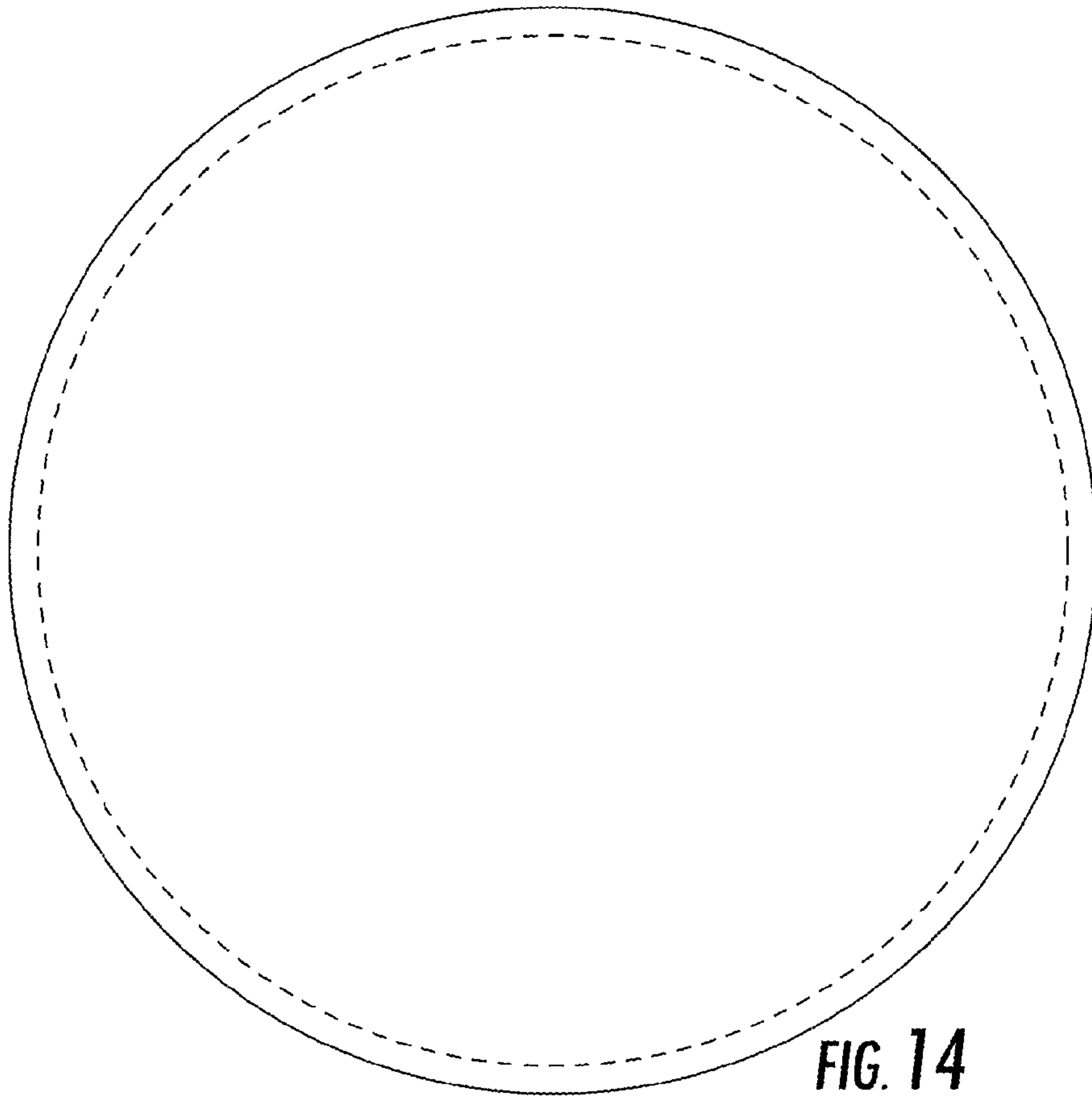




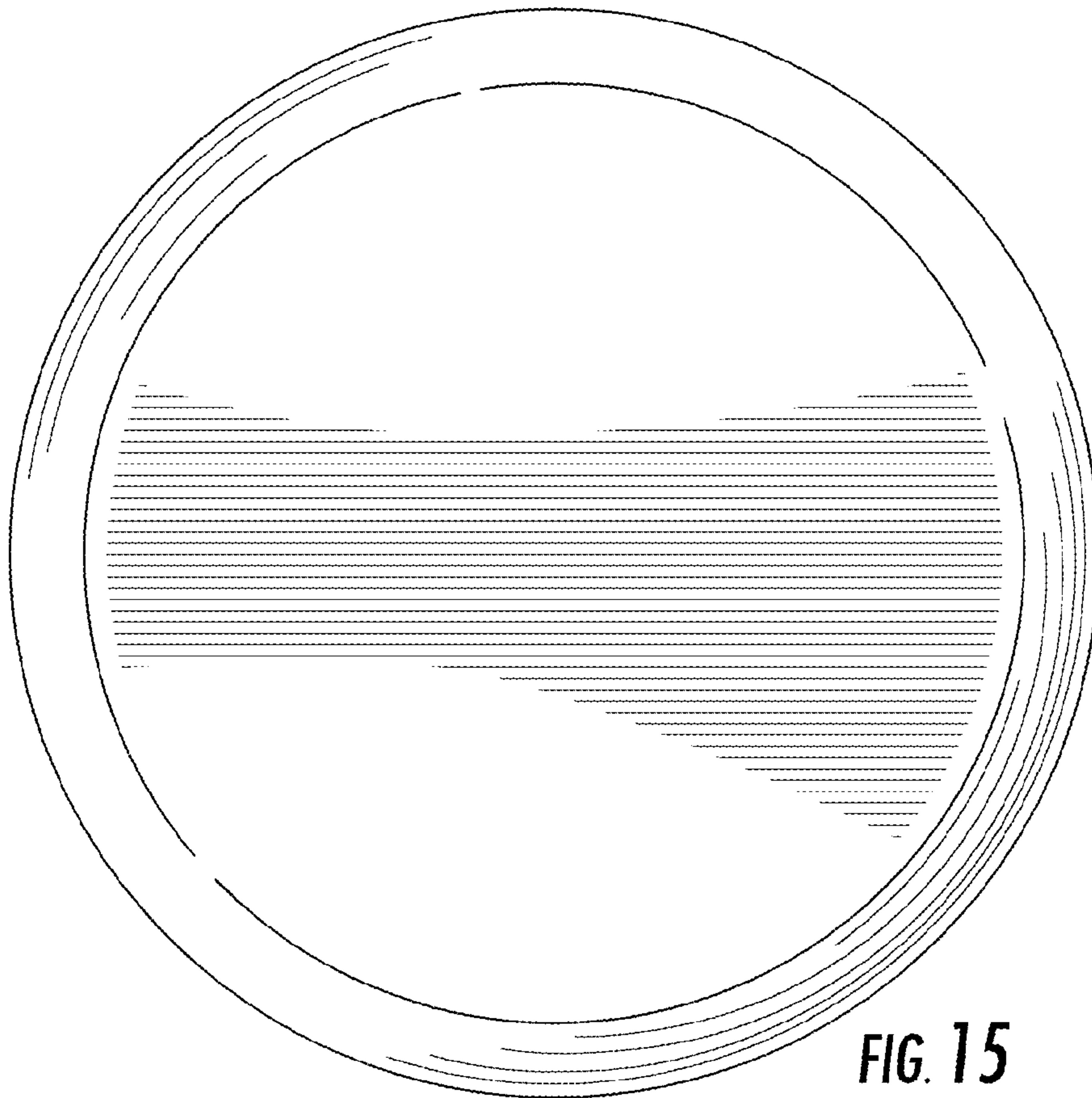
**FIG. 12**



**FIG. 13**



**FIG. 14**



**FIG. 15**