



US00D889897S

(12) **United States Design Patent** (10) **Patent No.:** **US D889,897 S**  
**Park et al.** (45) **Date of Patent:** **\*\* Jul. 14, 2020**

(54) **ELECTRIC RANGE**

(71) Applicant: **Coway Co., Ltd.**,  
Choongcheongnam-do (KR)  
(72) Inventors: **Junhyuk Park**, Gyeonggi-do (KR);  
**Eungkyu Park**, Seoul (KR)  
(73) Assignee: **Coway Co., Ltd.**,  
Choongcheongnam-do (KR)

(\*\*) Term: **15 Years**

(21) Appl. No.: **29/669,328**

(22) Filed: **Nov. 7, 2018**

(30) **Foreign Application Priority Data**

May 9, 2018 (KR) ..... 30-2018-0021372  
May 9, 2018 (KR) ..... 30-2018-0021385

(51) **LOC (12) Cl.** ..... **07-02**

(52) **U.S. Cl.**  
USPC ..... **D7/346**

(58) **Field of Classification Search**  
USPC ..... D7/323, 337, 339, 341, 352, 354-355,  
D7/362-367, 409-411  
CPC ..... A21B 1/06; A21B 1/50; A21B 1/52; A47J  
36/26; A47J 37/04; A47J 37/06; A47J  
37/015; A47J 37/067; A47J 37/0611;  
A47J 37/0629; A47J 37/0676; F24C 7/06;  
F24C 7/083; F24C 15/02; F24C 15/166;  
H05B 3/20; H05B 3/40  
See application file for complete search history.

(56) **References Cited**

U.S. PATENT DOCUMENTS

3,251,355 A \* 5/1966 Keating ..... A47J 36/26  
126/40  
D811,802 S \* 3/2018 Brija ..... D7/362  
D832,027 S \* 10/2018 Lee ..... D7/362  
D833,198 S \* 11/2018 Lee ..... D7/352

\* cited by examiner

*Primary Examiner* — Ricky Pham

(74) *Attorney, Agent, or Firm* — Millen, White, Zelano & Branigan, P.C.; William Nixon

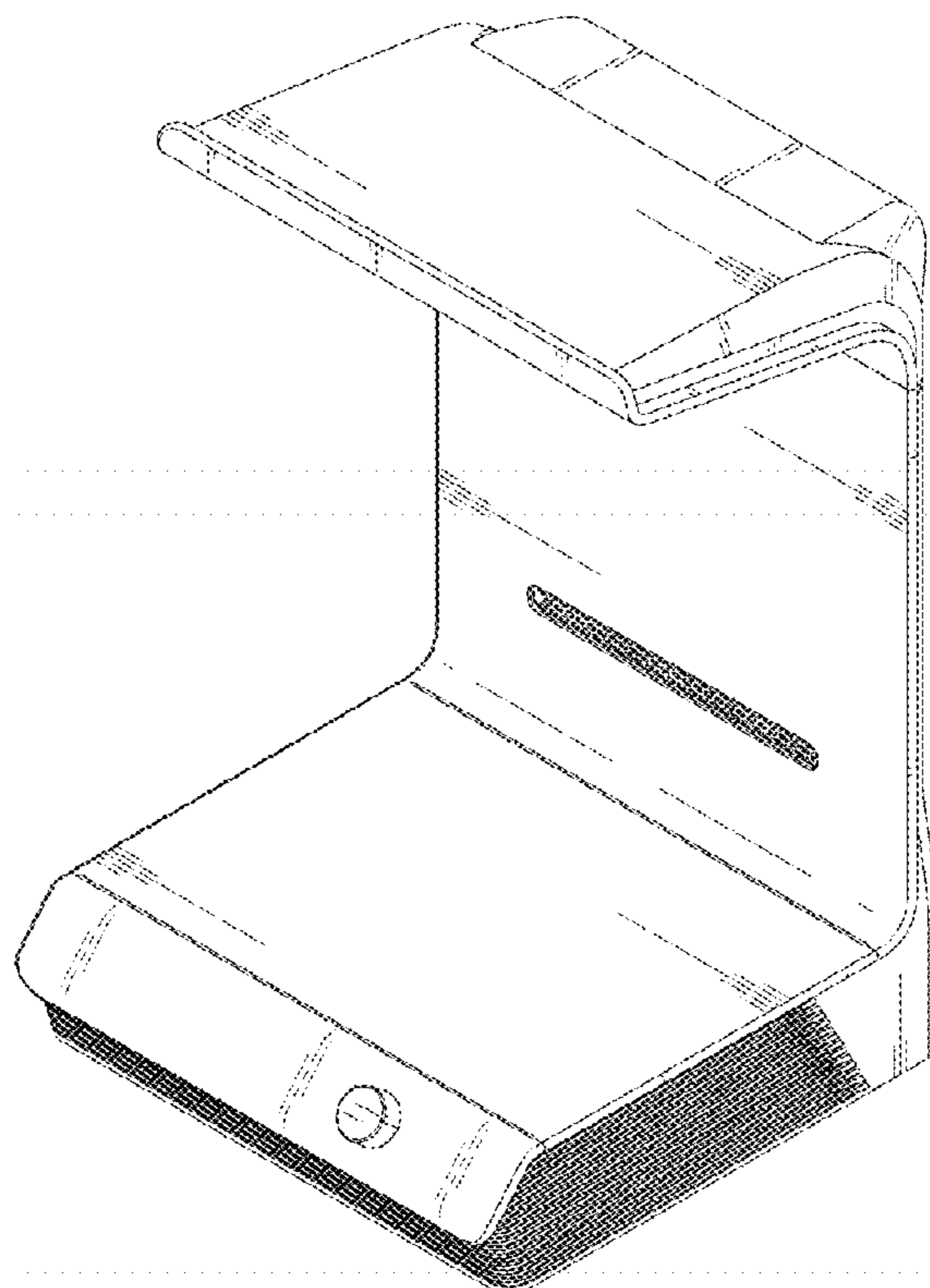
(57) **CLAIM**

The ornamental design for an electric range, as shown and described.

**DESCRIPTION**

FIG. 1 illustrates a front perspective view of the electric range showing our new design;  
FIG. 2 illustrates a front elevational view thereof;  
FIG. 3 illustrates a rear elevational view thereof;  
FIG. 4 illustrates a left side elevational view thereof;  
FIG. 5 illustrates a right side elevational view thereof;  
FIG. 6 illustrates a top plan view thereof; and,  
FIG. 7 illustrates a bottom plan view thereof.

**1 Claim, 7 Drawing Sheets**



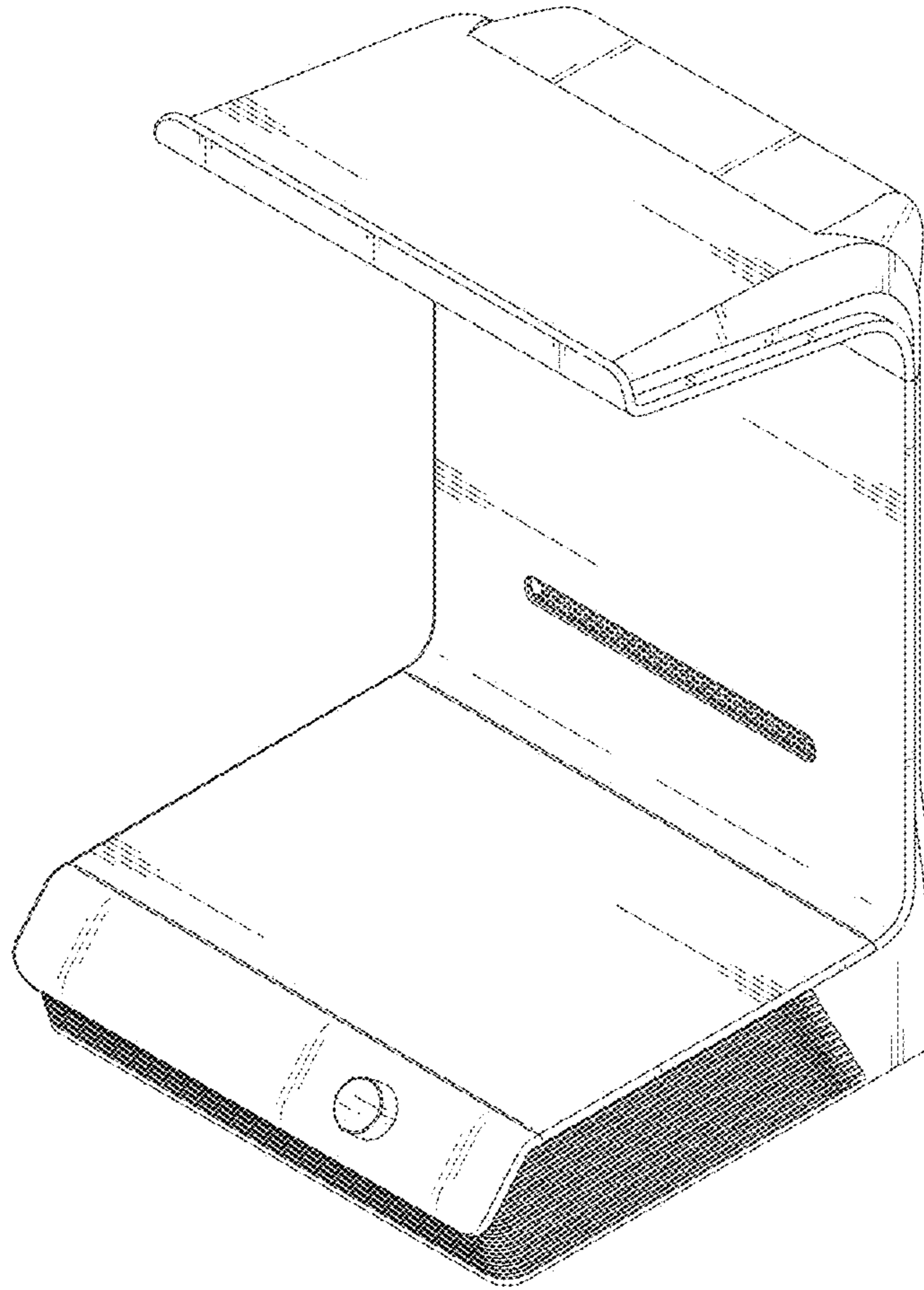


FIG. 1

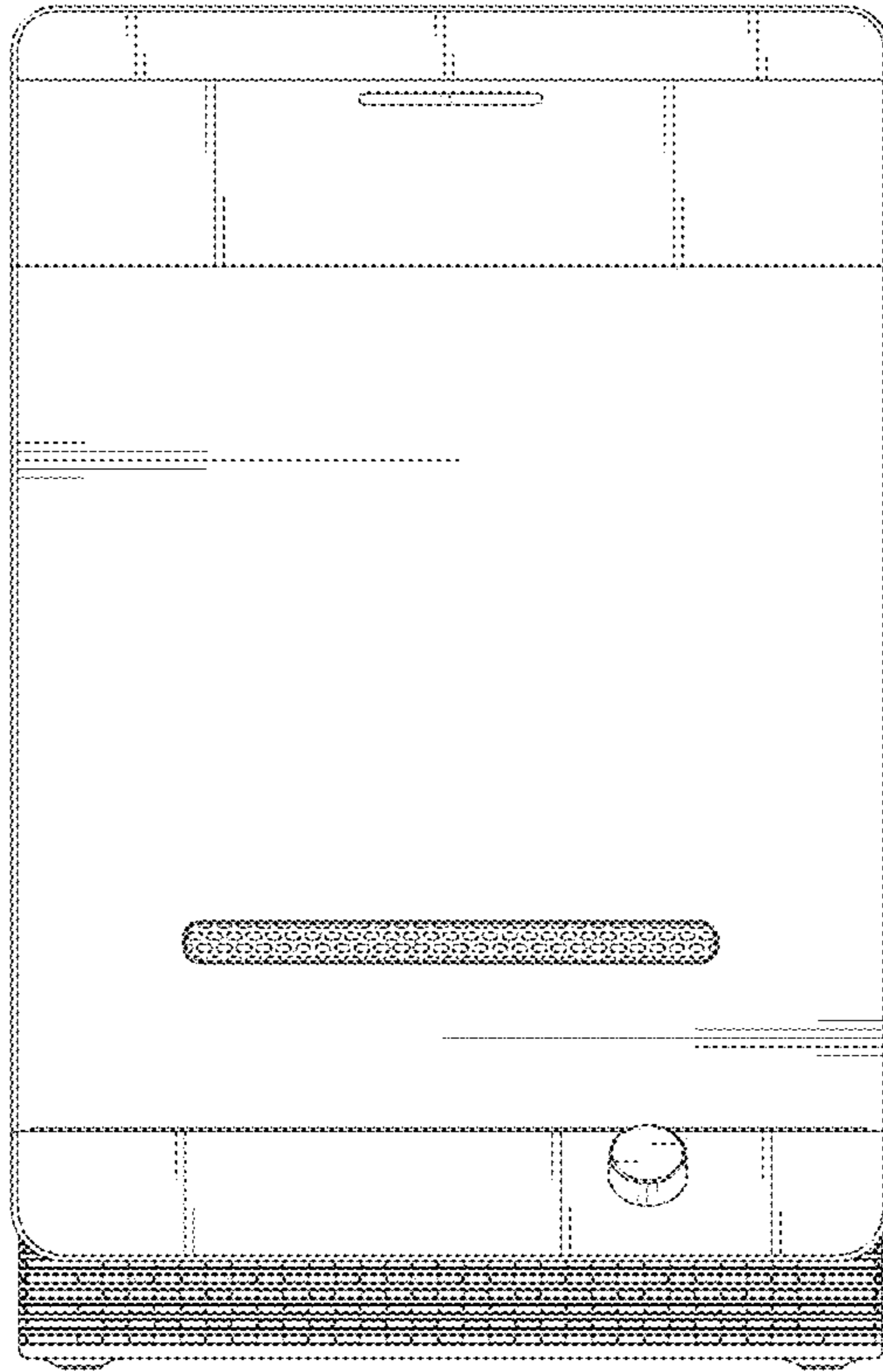


FIG. 2

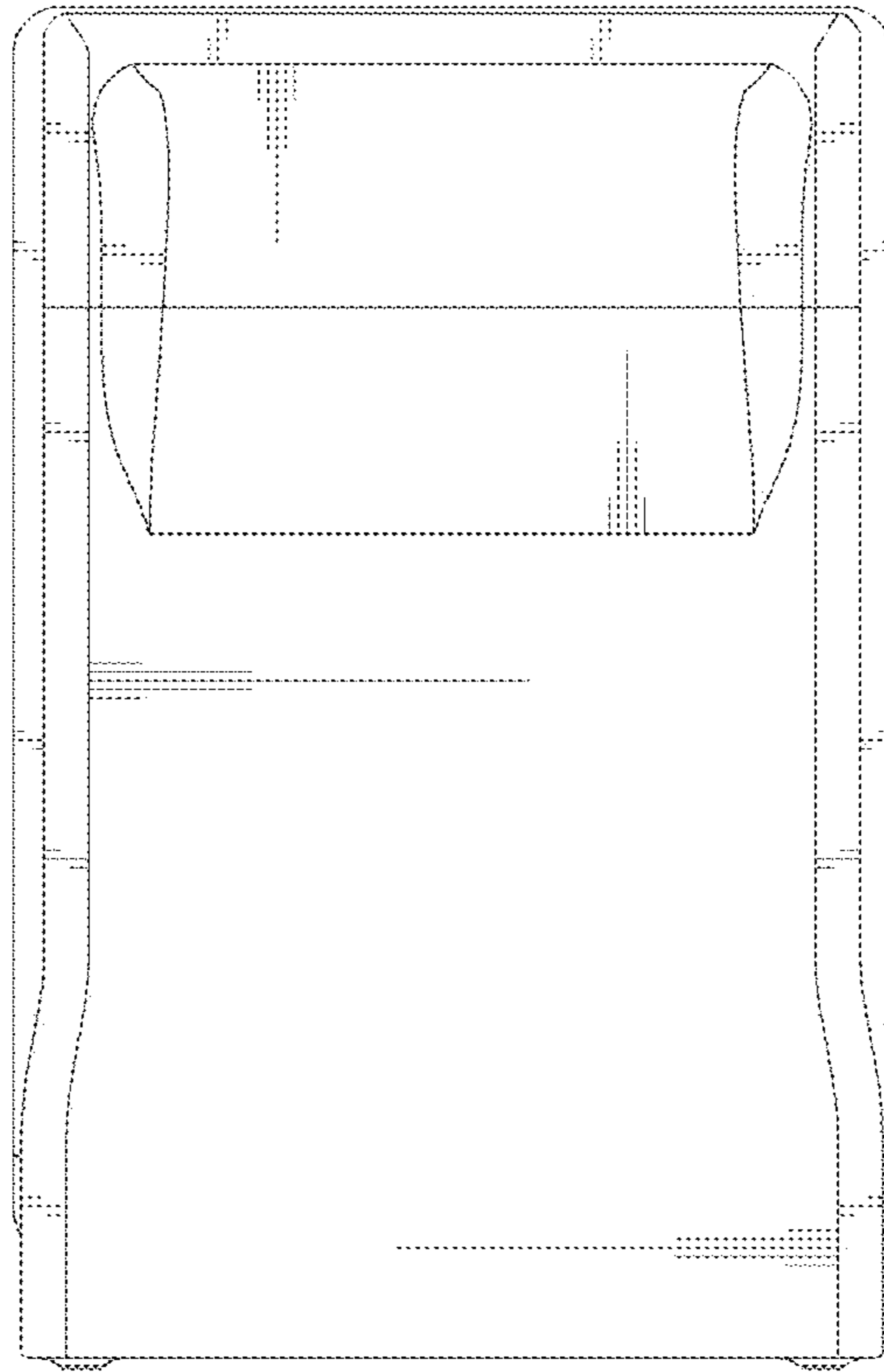


FIG. 3

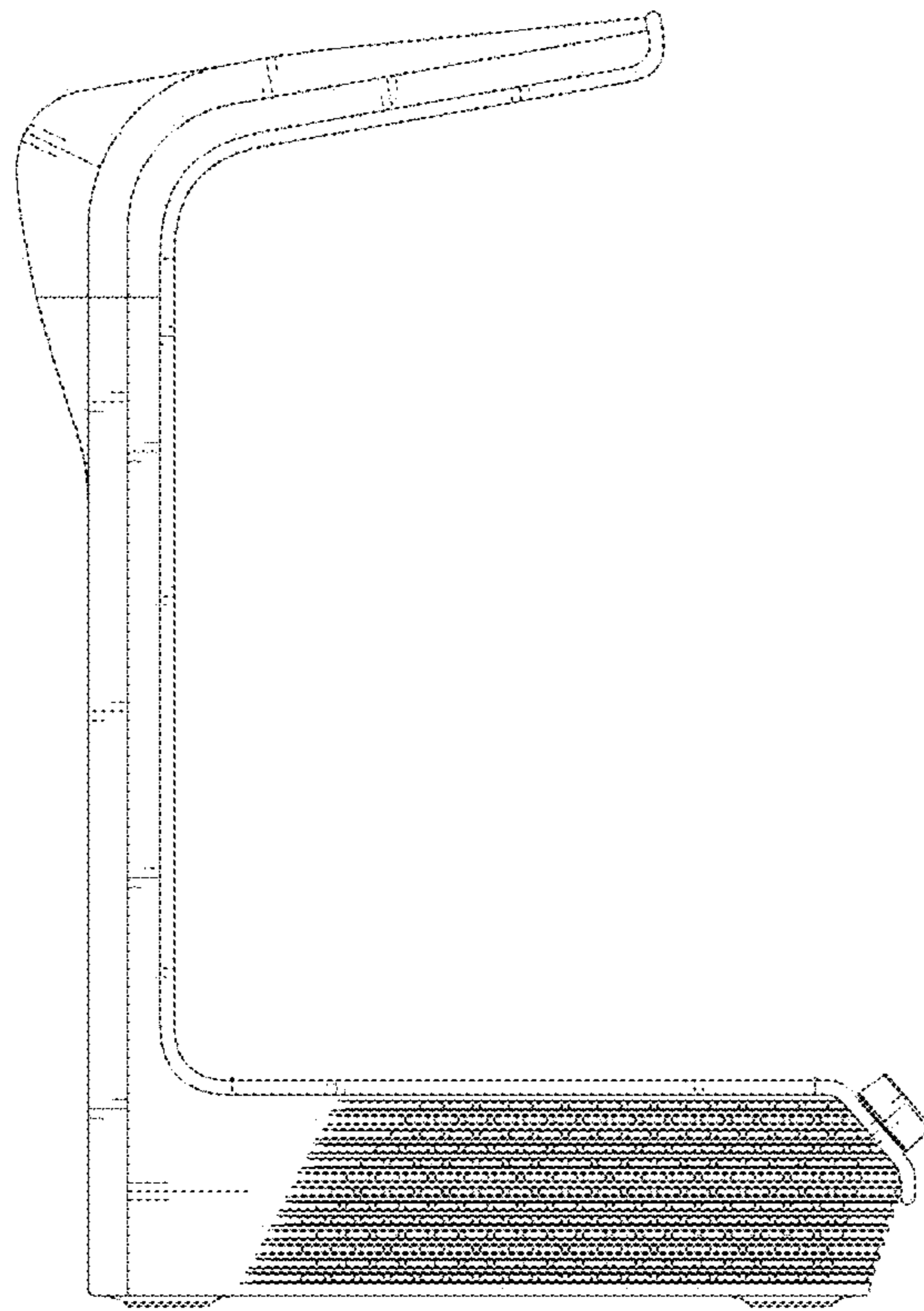


FIG. 4

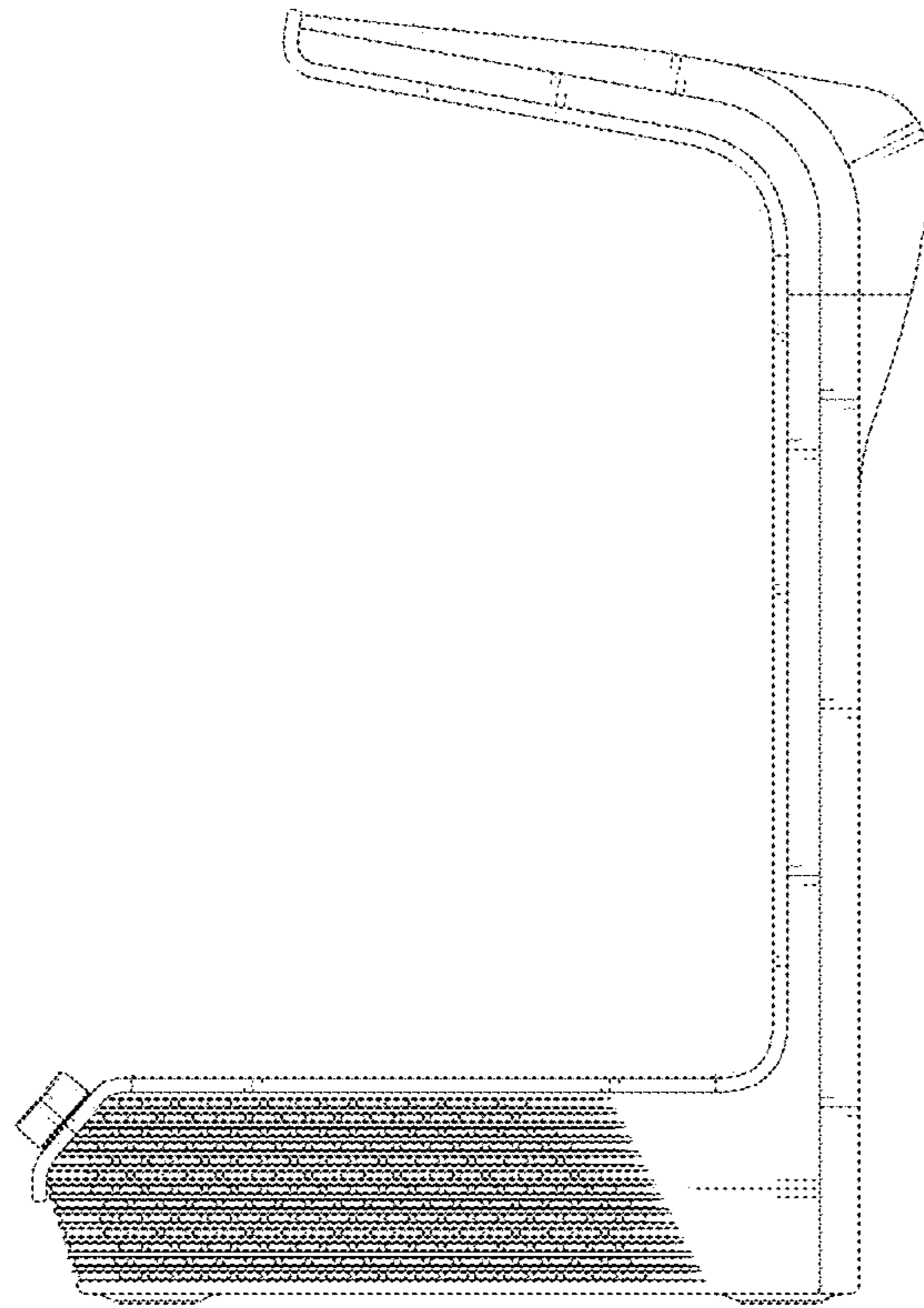


FIG. 5

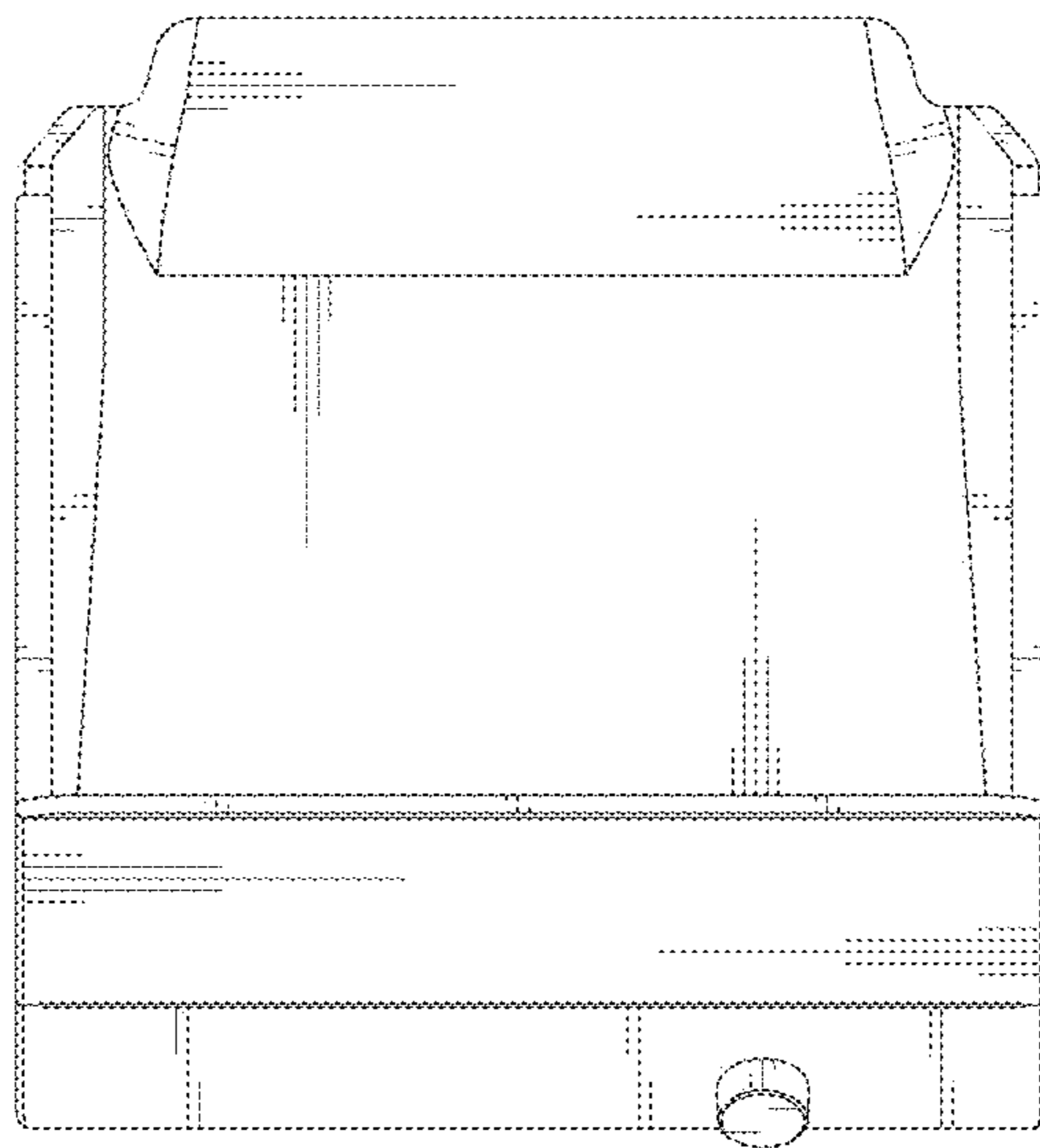


FIG. 6

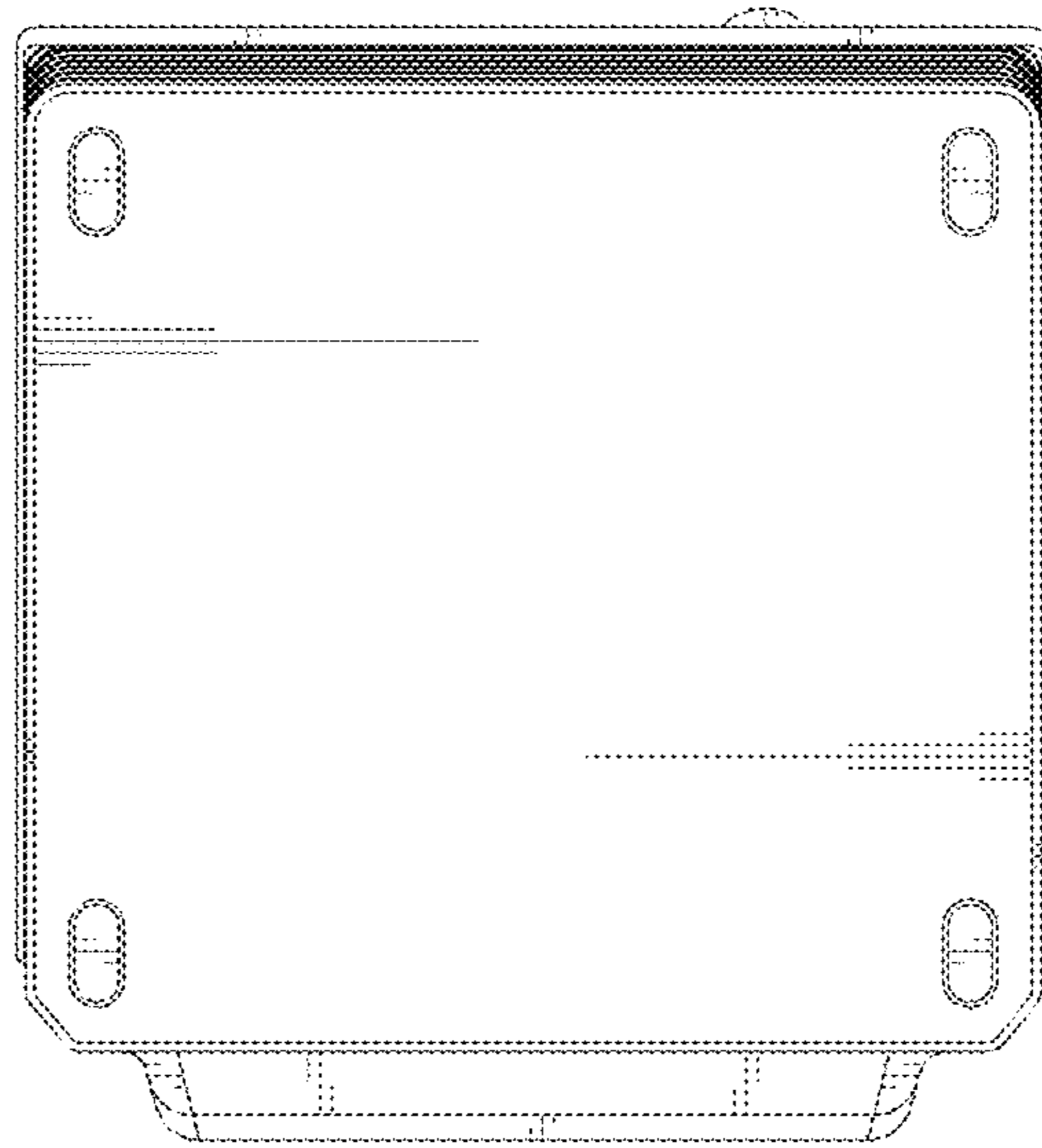


FIG. 7