



US00D889895S

(12) **United States Design Patent**
Chen et al.

(10) **Patent No.:** **US D889,895 S**
(45) **Date of Patent:** **** Jul. 14, 2020**

- (54) **INSULATED PITCHER**
- (71) Applicants: **Yijun Chen**, Shanghai (CN); **Bin Zhang**, Shanghai (CN); **Xichao Zhu**, Shanghai (CN)
- (72) Inventors: **Yijun Chen**, Shanghai (CN); **Bin Zhang**, Shanghai (CN); **Xichao Zhu**, Shanghai (CN)
- (73) Assignee: **Shanghai Solid Stainless Steel Products Co., Ltd.**, Shanghai (CN)
- (**) Term: **15 Years**
- (21) Appl. No.: **29/650,904**
- (22) Filed: **Jun. 11, 2018**
- (51) **LOC (12) Cl.** **07-01**
- (52) **U.S. Cl.**
USPC **D7/318**
- (58) **Field of Classification Search**
USPC D7/300, 312, 316-318, 321, 322, 393, D7/395, 396, 397, 399, 400, 590, 598, D7/600; D9/435, 544, 545, 549
CPC A47G 19/12; A47G 19/14; A47G 19/16; A47G 19/22; A47J 31/00; A47J 27/21; A47J 27/21008
See application file for complete search history.

D787,252 S *	5/2017	Bodum	D7/317
D789,134 S *	6/2017	Lin	D7/316
D789,725 S *	6/2017	Kestenbaum	D7/317
D789,726 S *	6/2017	Adeloju	D7/317
D815,482 S *	4/2018	Bell	D7/318
D847,554 S *	5/2019	Zhang	D7/318

OTHER PUBLICATIONS

Isosteel Pot | posted at Amazon.com, posted on Aug. 1, 2014, © 1996-2019 Amazon.com, [online], [site visited Jun. 29, 2019]. Available from Internet, URL: <https://www.amazon.com/Isosteel-VA-9346K-Stainless-Tableline-Double-Walled/dp/B00A4B7HYM/> (Year: 2014).*

* cited by examiner

Primary Examiner — Derrick E Holland
Assistant Examiner — Andrew Kerr

(74) *Attorney, Agent, or Firm* — Shawn Gordon, Esq.; Dunkiel Saunders Elliott Raubvogel & Hand, PLLC

(57) **CLAIM**

The ornamental design for an insulated pitcher, as shown and described.

DESCRIPTION

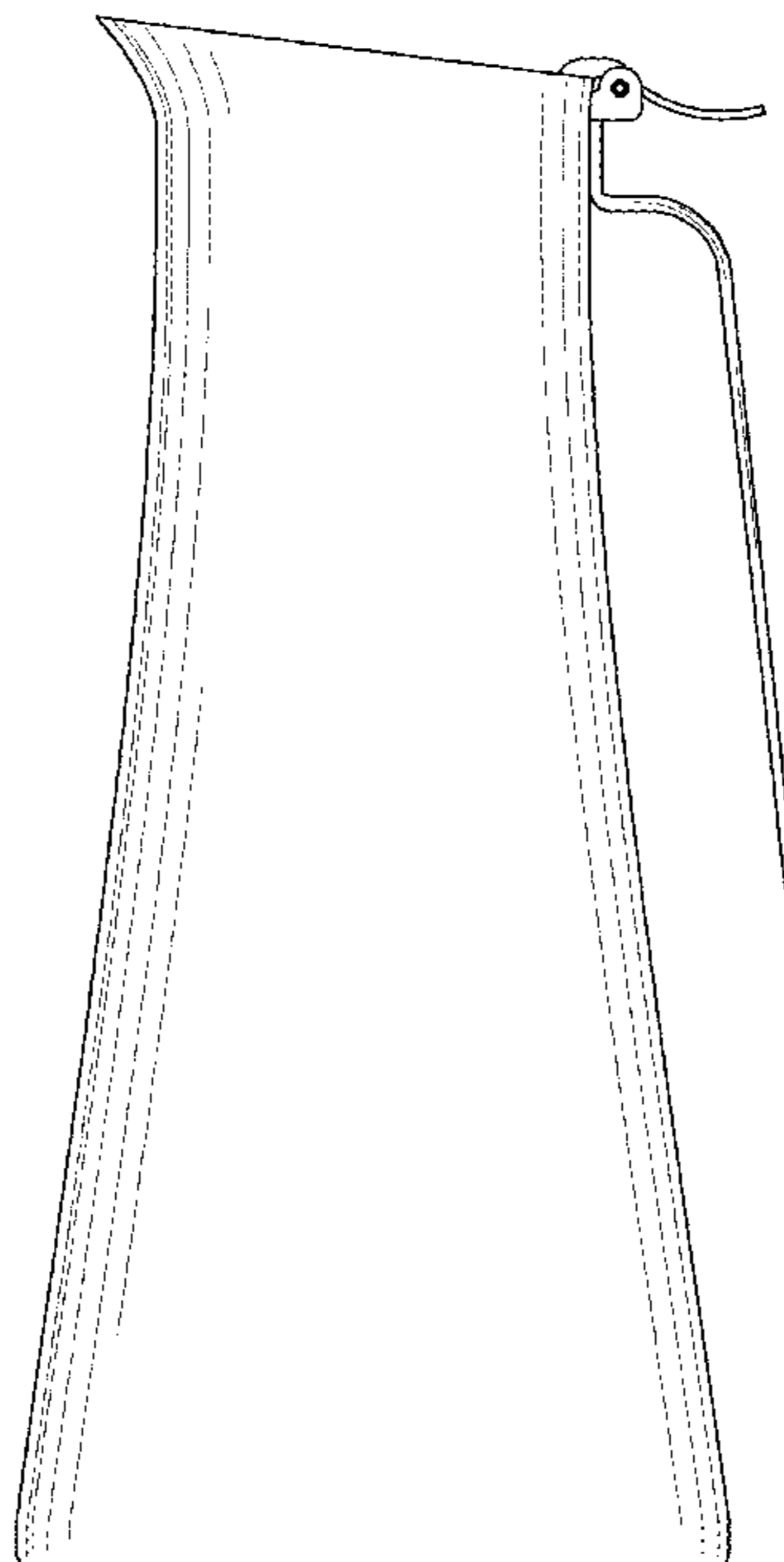
FIG. 1 is a front elevation view of an insulated pitcher, showing our new design;
FIG. 2 is a rear elevation view thereof;
FIG. 3 is a left side elevation view thereof;
FIG. 4 is a right side elevation view thereof;
FIG. 5 is a top plan view thereof;
FIG. 6 is a bottom plan view thereof;
FIG. 7 is a perspective view thereof; and,
FIG. 8 is a perspective view thereof in an open state.
The broken lines in FIG. 6 depict portions of the insulated pitcher that form no part of the claimed design.

1 Claim, 7 Drawing Sheets

(56) **References Cited**

U.S. PATENT DOCUMENTS

5,407,270 A *	4/1995	Barile	A47J 43/27 366/247
D603,647 S *	11/2009	Bodum	D7/317
D688,506 S *	8/2013	Steiner	D7/317
D752,375 S *	3/2016	Maitland	D7/317
D783,334 S *	4/2017	Kotani	D7/317



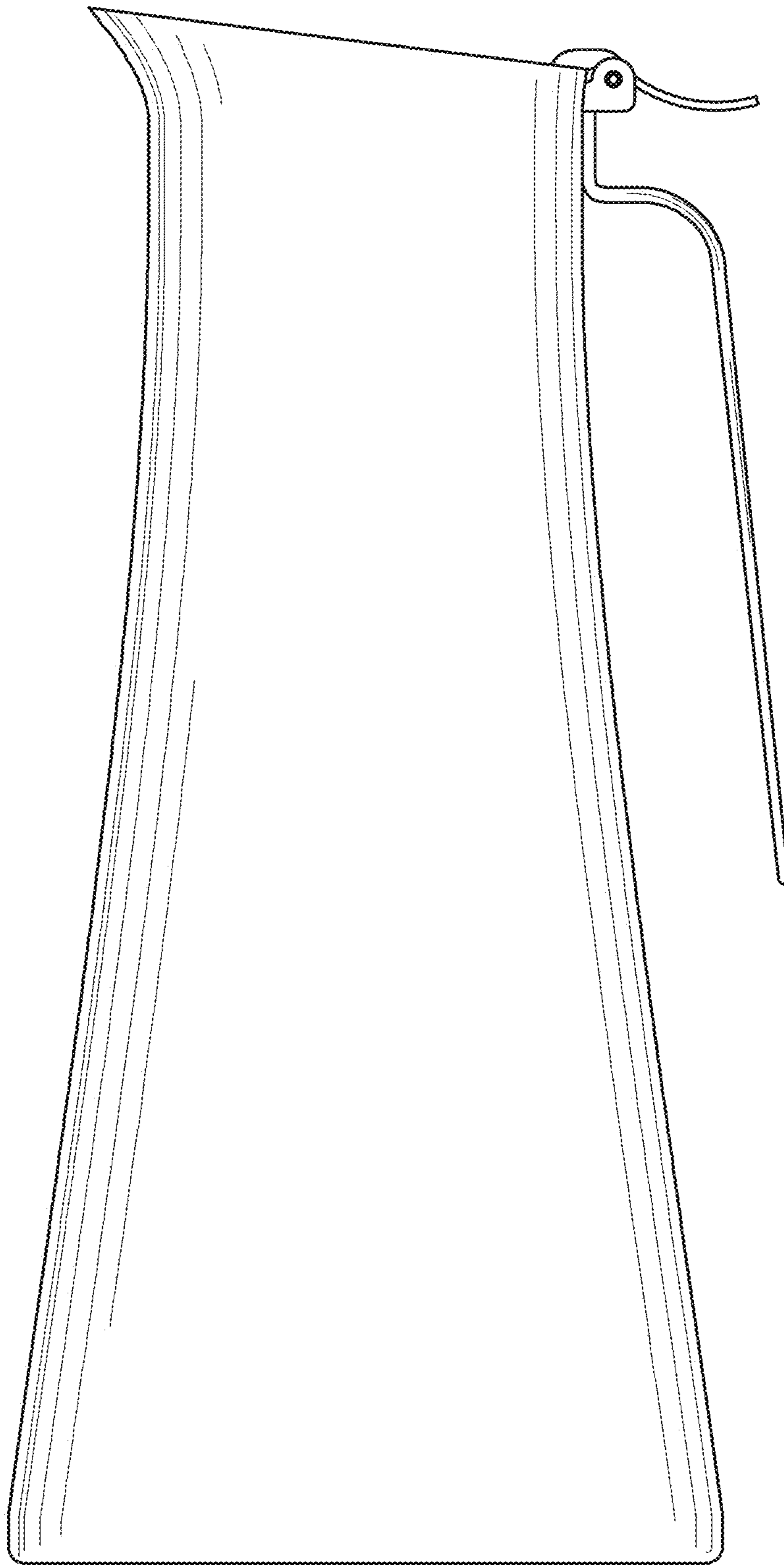


FIG. 1

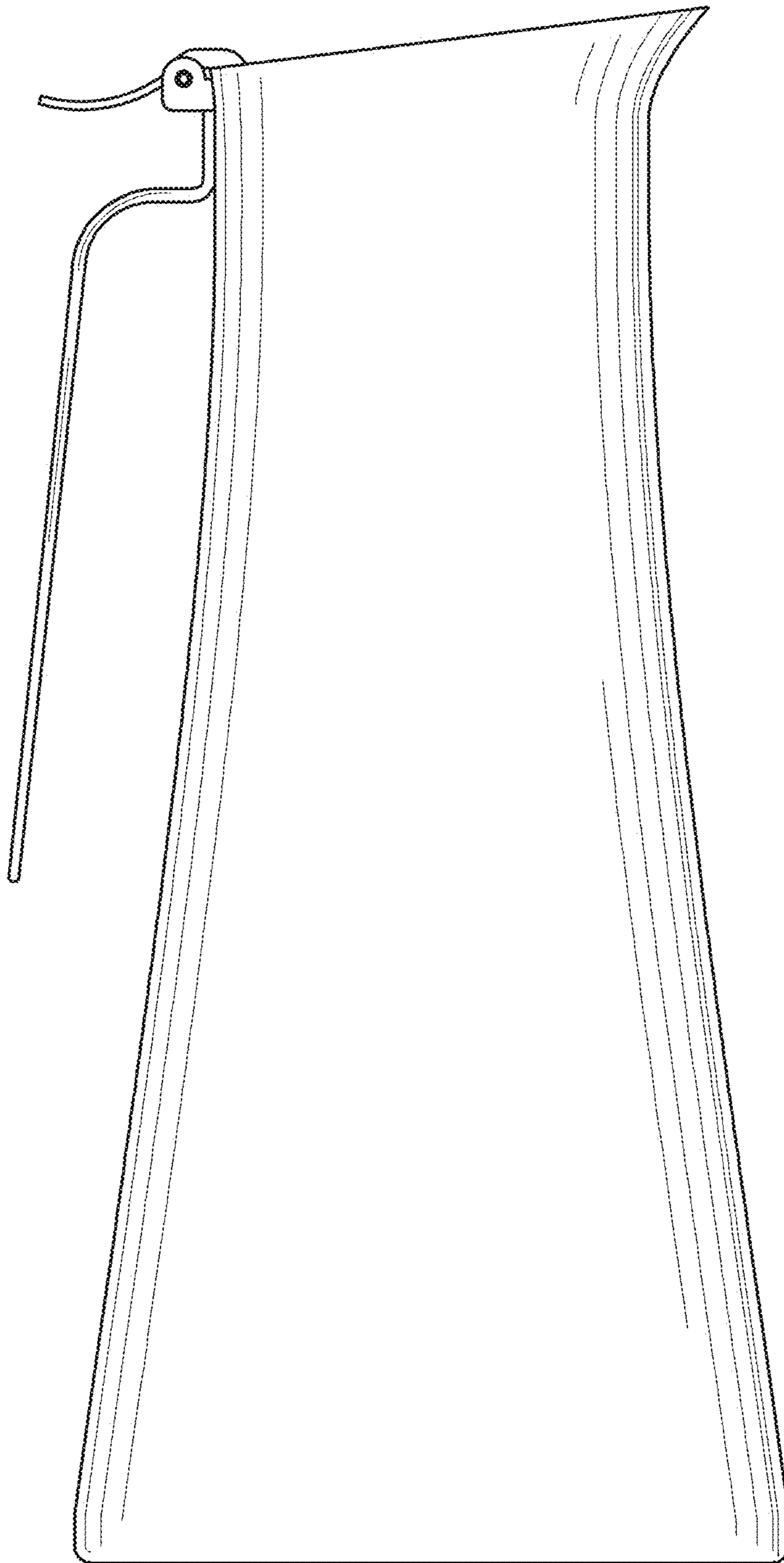


FIG. 2

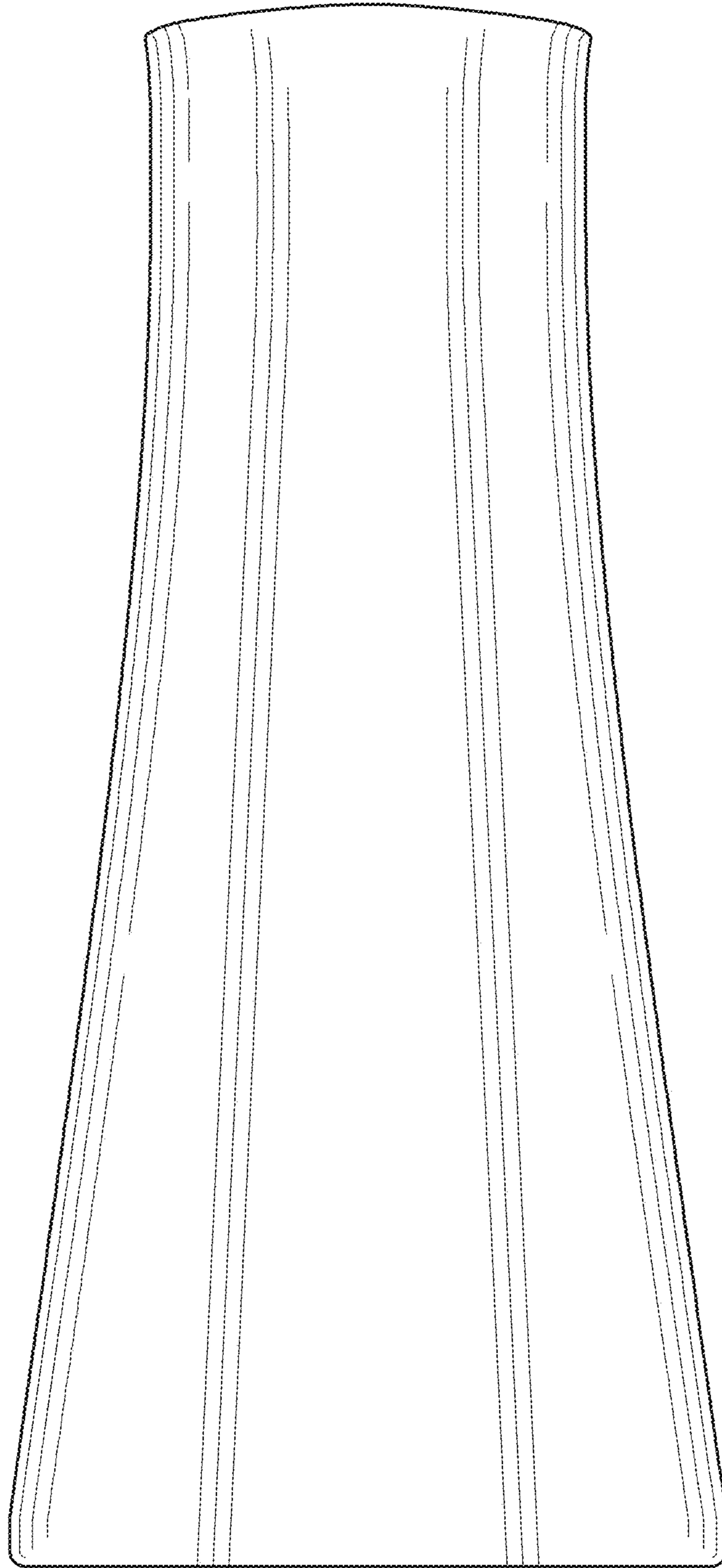


FIG. 3

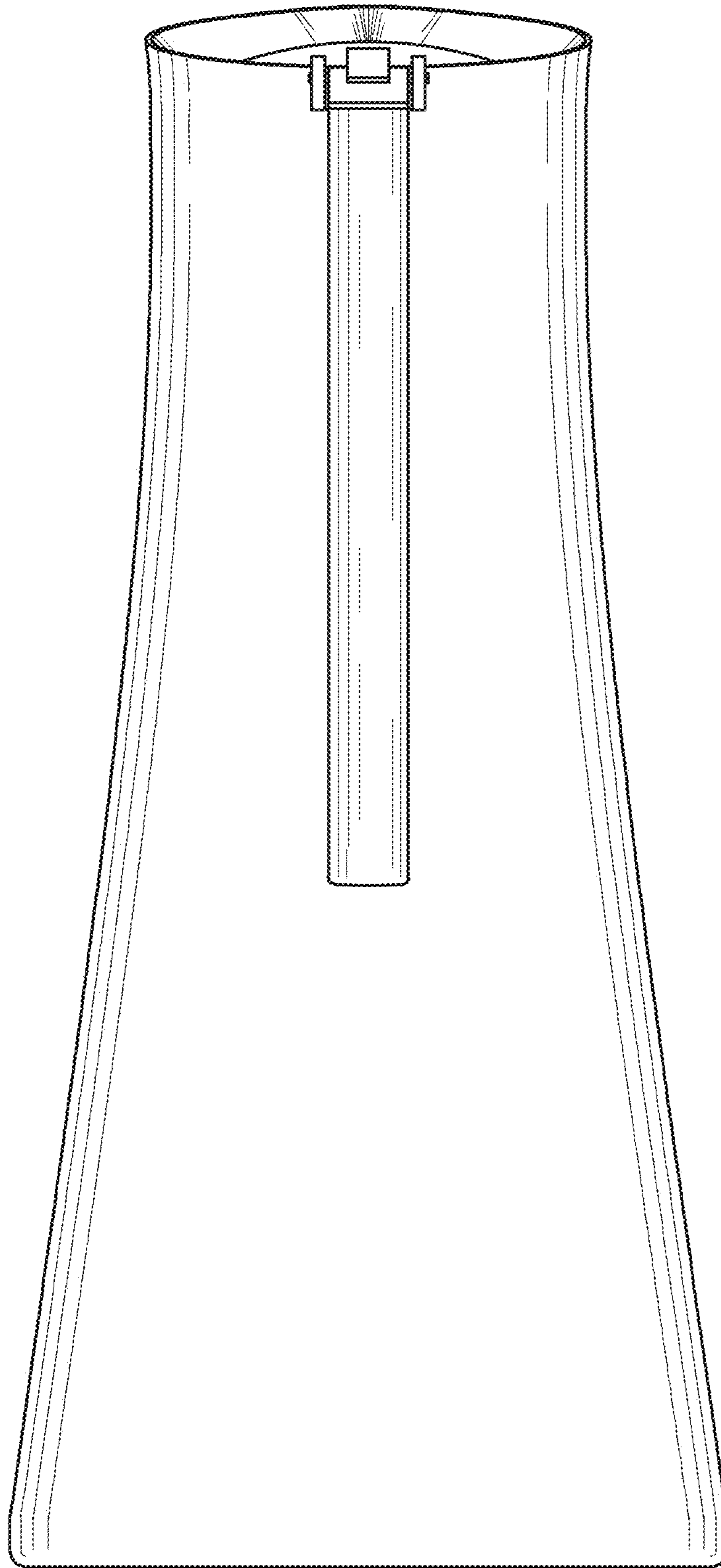


FIG.4

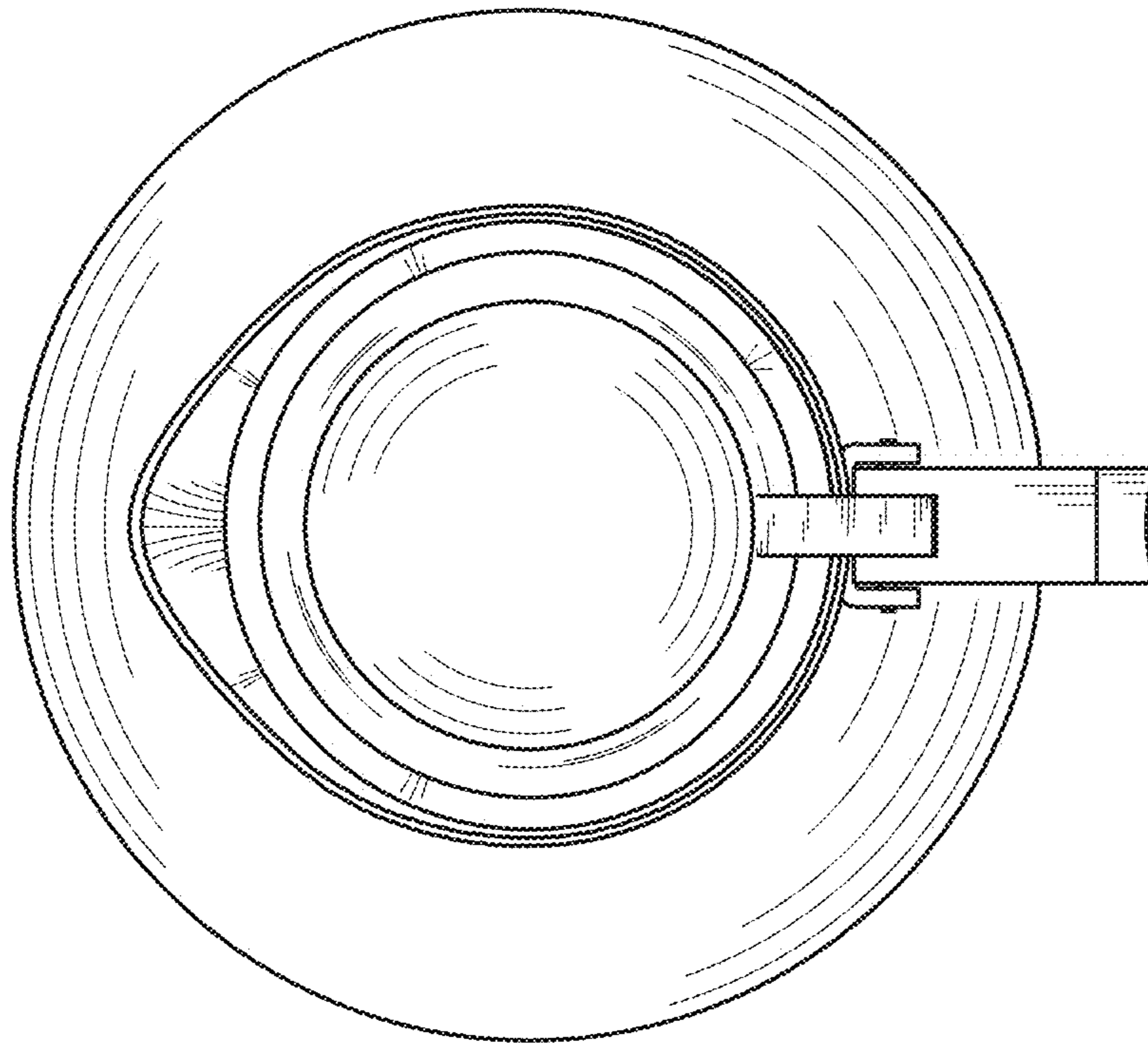


FIG. 5

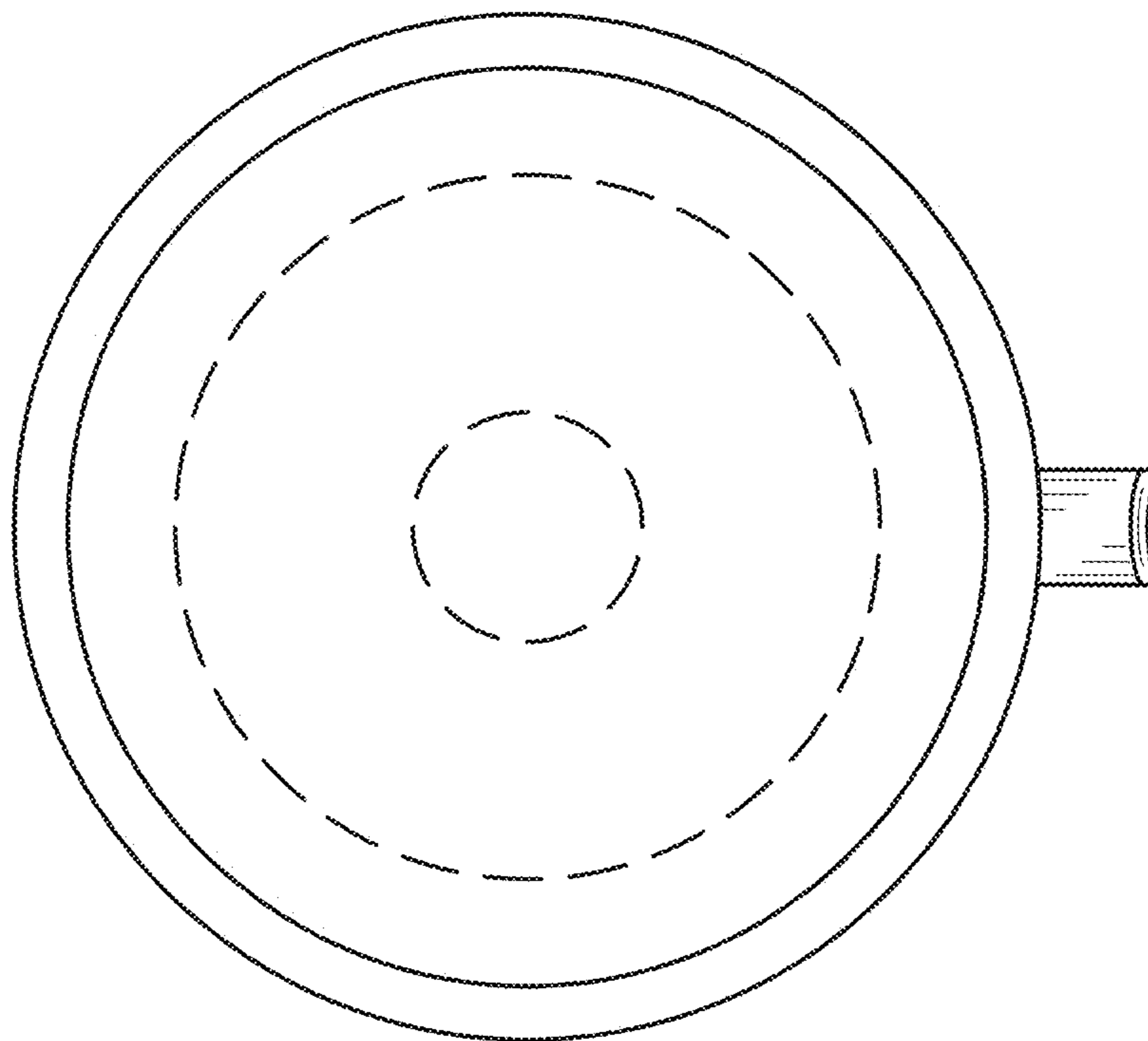


FIG. 6

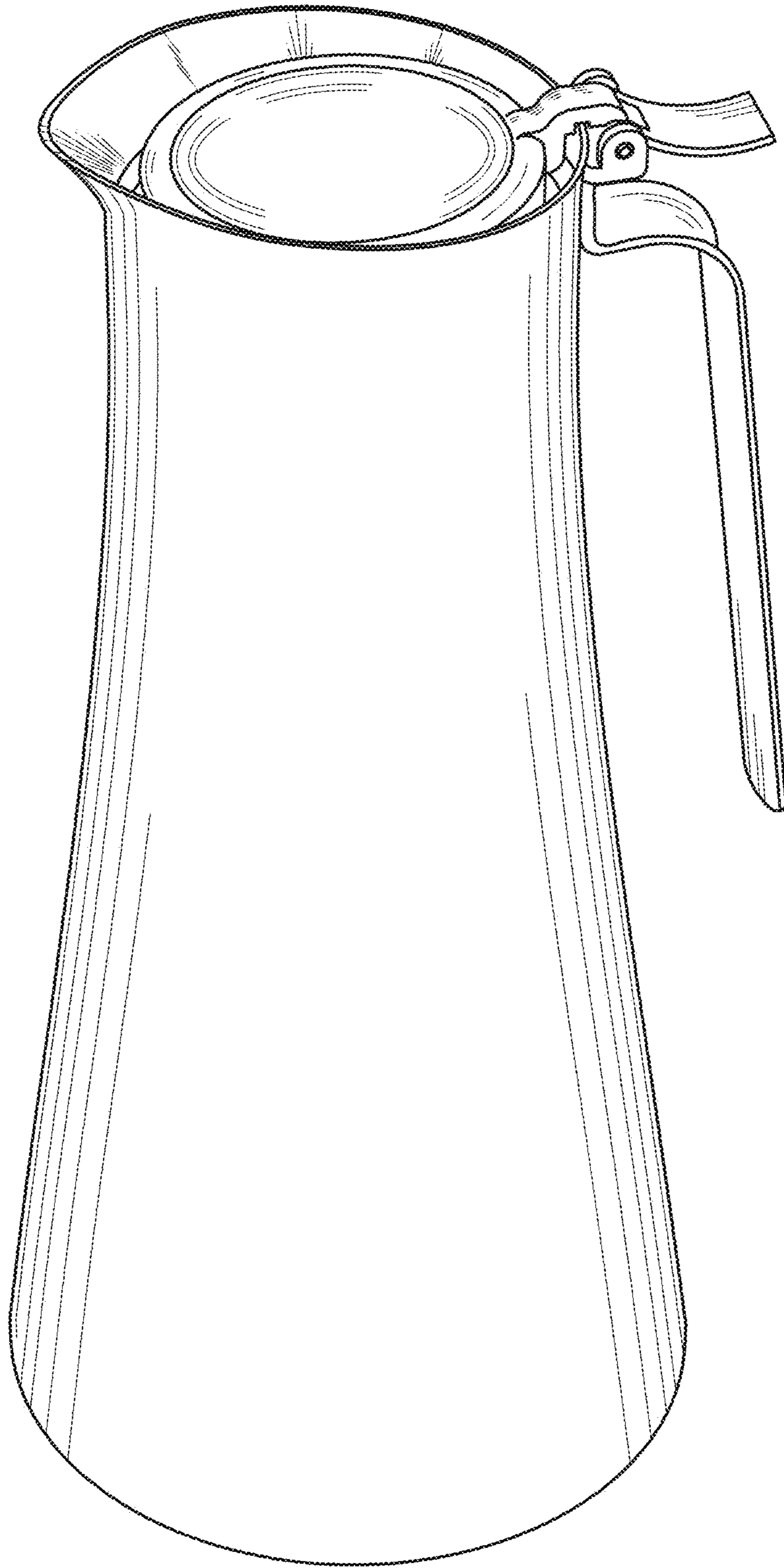


FIG.7

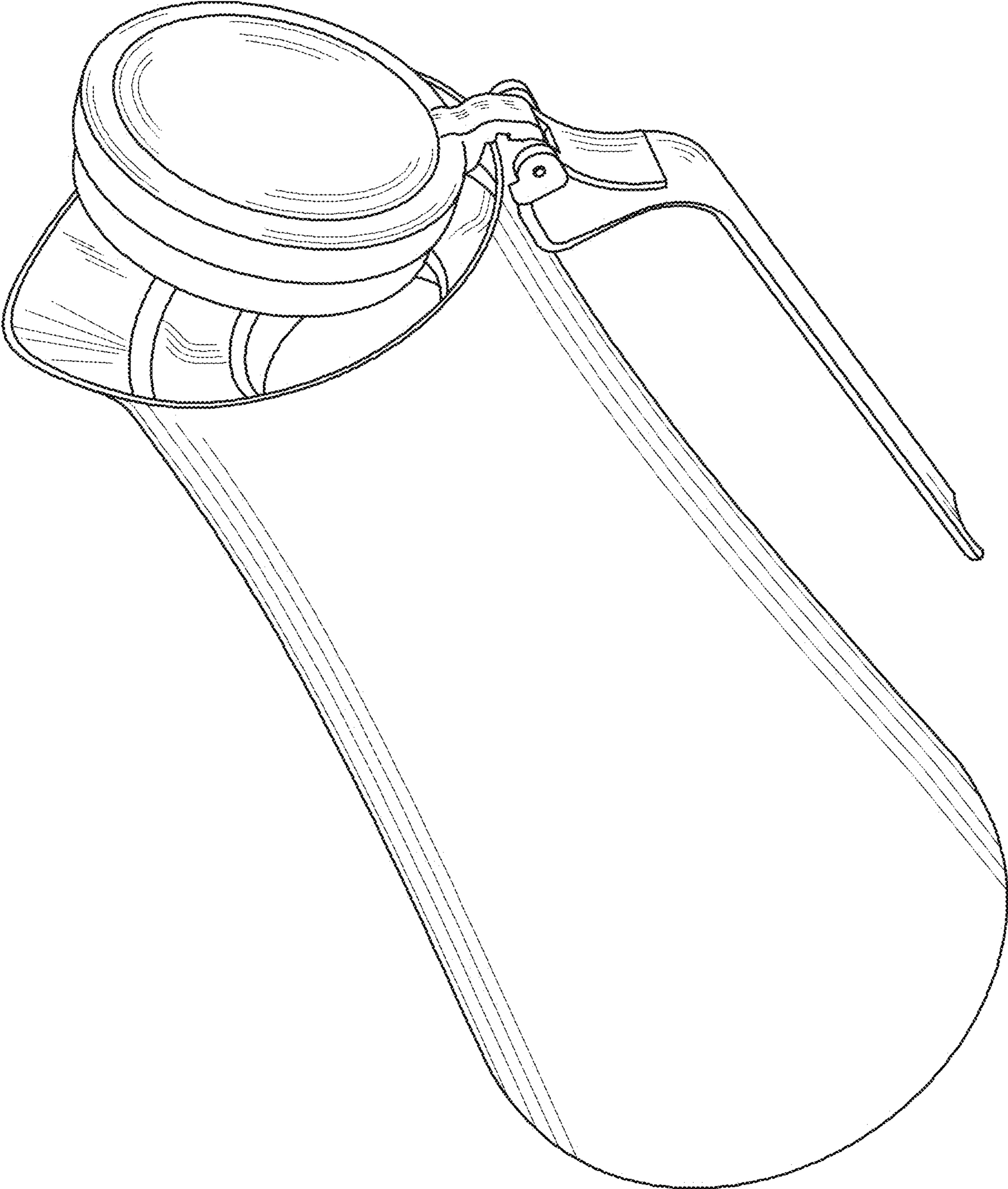


FIG.8