



US00D889892S

(12) **United States Design Patent**
Su et al.

(10) **Patent No.:** **US D889,892 S**

(45) **Date of Patent:** **** Jul. 14, 2020**

(54) **DRAWER SIDE PANEL**

(71) Applicants: **KING SLIDE WORKS CO., LTD.**,
Kaohsiung (TW); **KING SLIDE
TECHNOLOGY CO., LTD.**,
Kaohsiung (TW)

(72) Inventors: **Fang-Cheng Su**, Kaohsiung (TW);
Ci-Bin Huang, Kaohsiung (TW);
Shih-Lung Huang, Kaohsiung (TW);
Shan-Yao Chen, Kaohsiung (TW);
Ching-Fu Chiu, Kaohsiung (TW);
Shu-Chen Lin, Kaohsiung (TW)

(73) Assignees: **King Slide Works Co., Ltd.**,
Kaohsiung (TW); **King Slide
Technology Co., Ltd.**, Kaohsiung (TW)

(**) Term: **15 Years**

(21) Appl. No.: **29/707,151**

(22) Filed: **Sep. 26, 2019**

Related U.S. Application Data

(62) Division of application No. 29/599,204, filed on Mar.
31, 2017, now Pat. No. Des. 871,812.

(51) **LOC (12) Cl.** **06-06**

(52) **U.S. Cl.**
USPC **D6/705.4; D6/705.2; D6/705.5**

(58) **Field of Classification Search**
USPC D3/297; D6/663, 664, 664.1, 671, 671.1,
D6/671.2, 671.3, 671.4, 705, 705.2,
D6/705.4, 705.5, 707.19

CPC A47B 17/04; A47B 47/03; A47B 67/00;
A47B 67/04; A47B 88/00; A47B 88/40;
A47B 77/00

See application file for complete search history.

(56) **References Cited**

U.S. PATENT DOCUMENTS

D252,436 S * 7/1979 Elliott D6/706
D255,741 S * 7/1980 Litchfield D6/705.4

D298,708 S * 11/1988 Nygren D6/705.4
D456,192 S * 4/2002 Domenig D6/705.4
D684,399 S * 6/2013 Gasser D6/705.5
D746,090 S * 12/2015 Grabher D6/705.5
D757,474 S * 5/2016 Grabher D6/705.5
10,383,440 B2 * 8/2019 Chen A47B 88/493
10,398,228 B2 * 9/2019 Chen A47B 88/477
D861,403 S * 10/2019 Hurford D6/705
10,455,938 B2 * 10/2019 Chen A47B 96/07
D871,812 S * 1/2020 Su D6/705.4
2020/0049195 A1 * 2/2020 Chen A47B 88/43

* cited by examiner

Primary Examiner — Mary Ann Calabrese

Assistant Examiner — Catherine Ho

(74) *Attorney, Agent, or Firm* — Rosenberg, Klein & Lee

(57) **CLAIM**

The ornamental design for a drawer side panel, as shown and described.

DESCRIPTION

FIG. 1 is a perspective view of a drawer side panel showing my present design;

FIG. 2 is a front view thereof;

FIG. 3 is a rear view thereof;

FIG. 4 is a left view thereof;

FIG. 5 is a right view thereof;

FIG. 6 is a top plan view thereof;

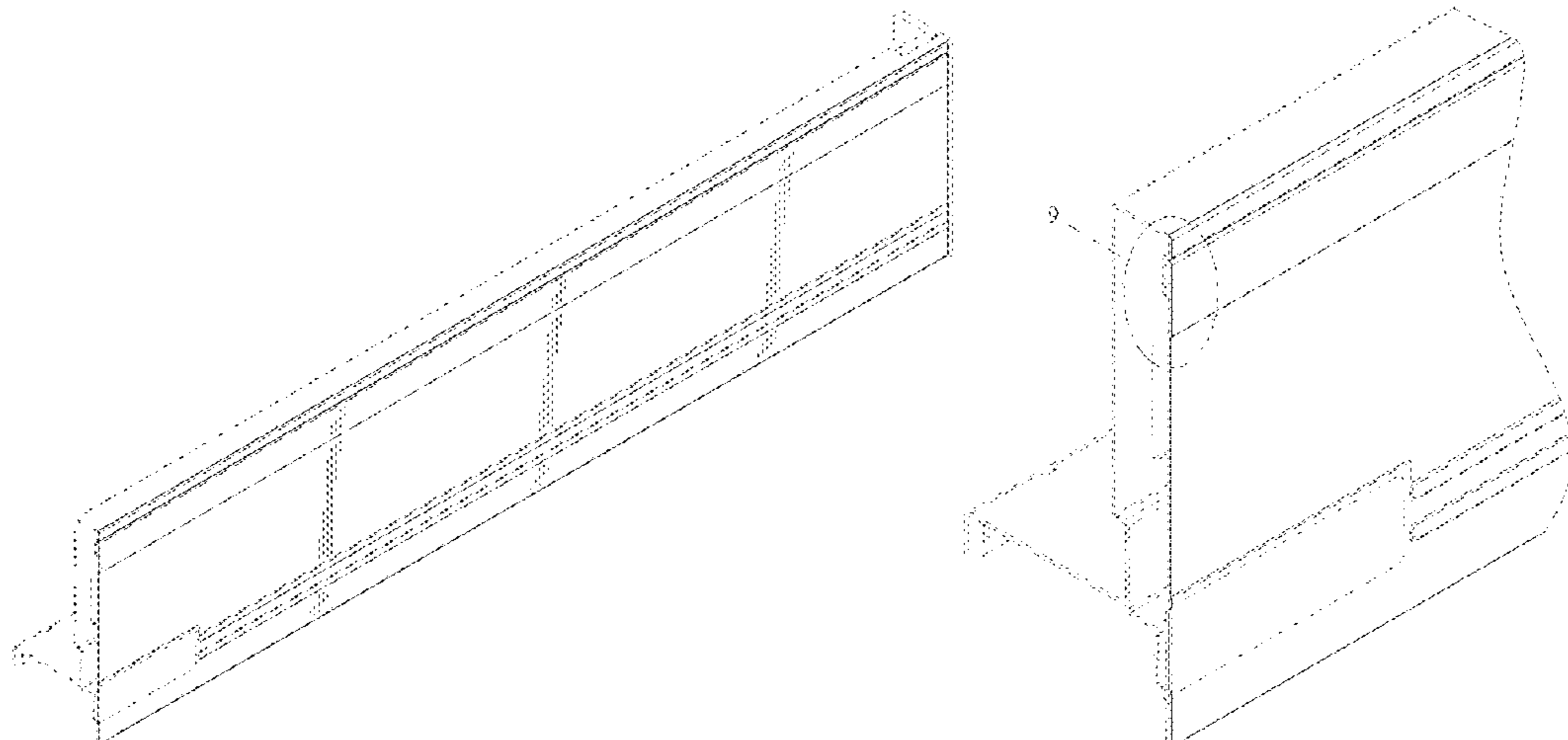
FIG. 7 is a bottom plan view thereof;

FIG. 8 is an enlarged fragmentary view of left side of the perspective view of FIG. 1; and,

FIG. 9 is an enlarged detailed view of the encircled area 9 in FIG. 8.

All broken line portions of the figure drawings are included to show portions of the article that form no part of the claimed design.

1 Claim, 6 Drawing Sheets



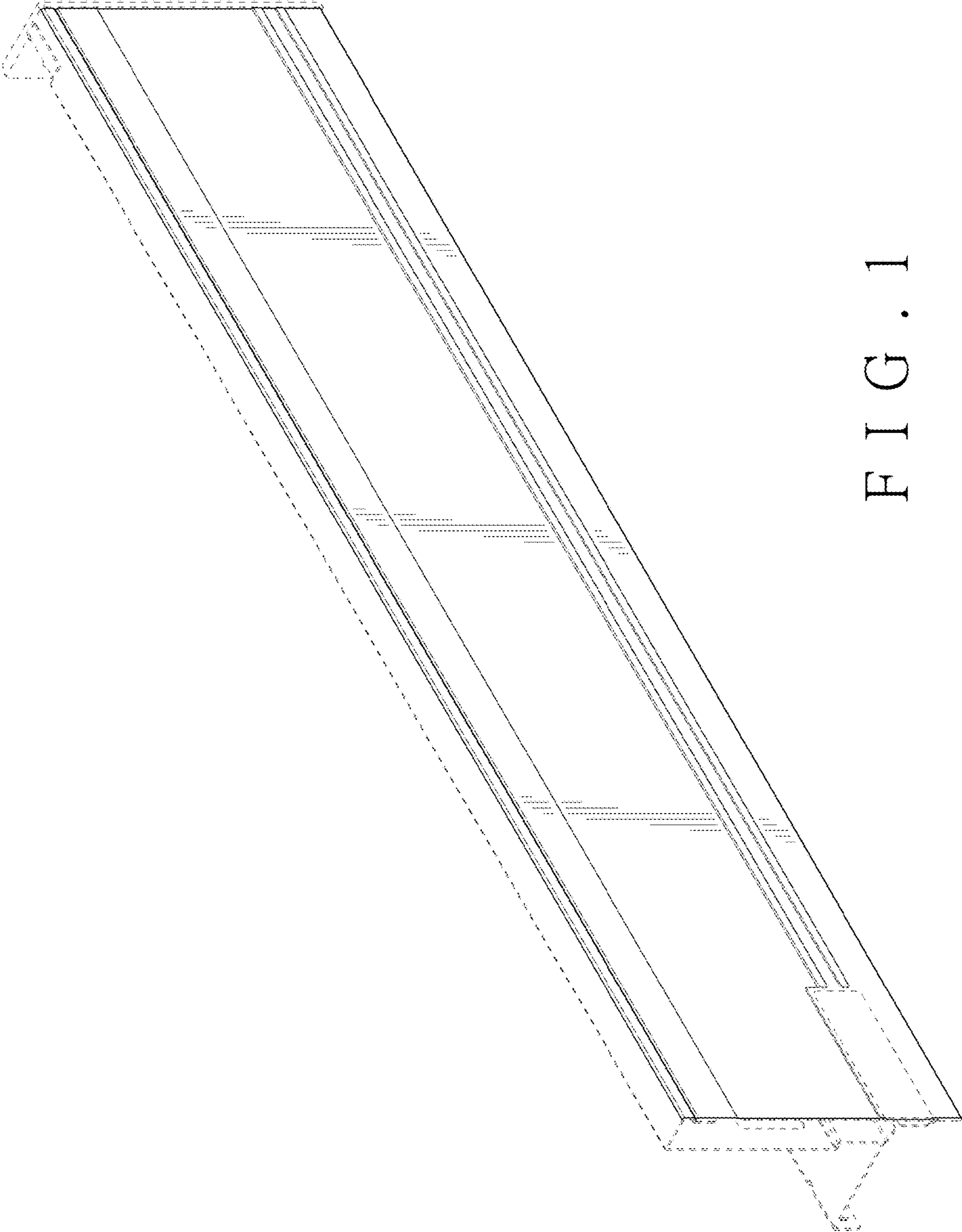


FIG. 1

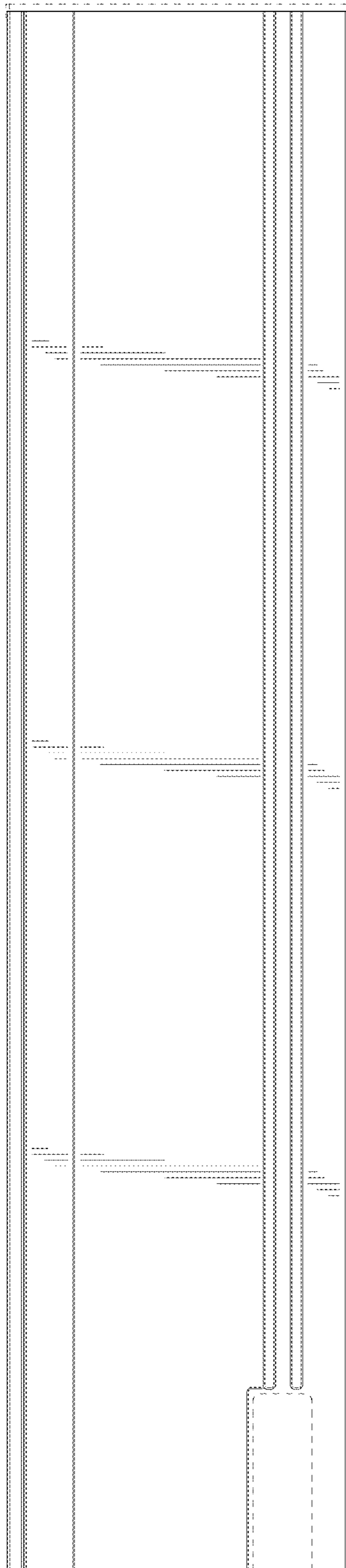


FIG. 2

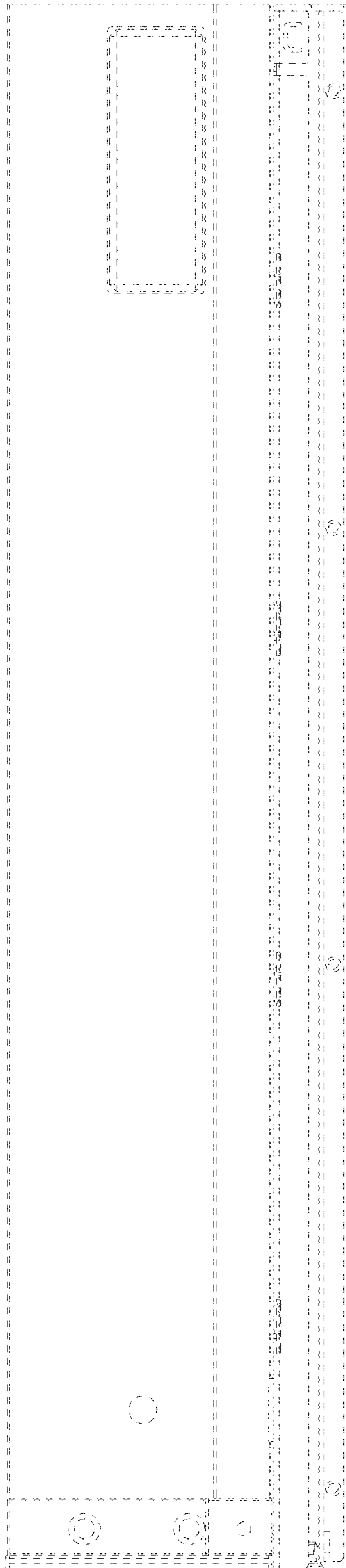


FIG. 3

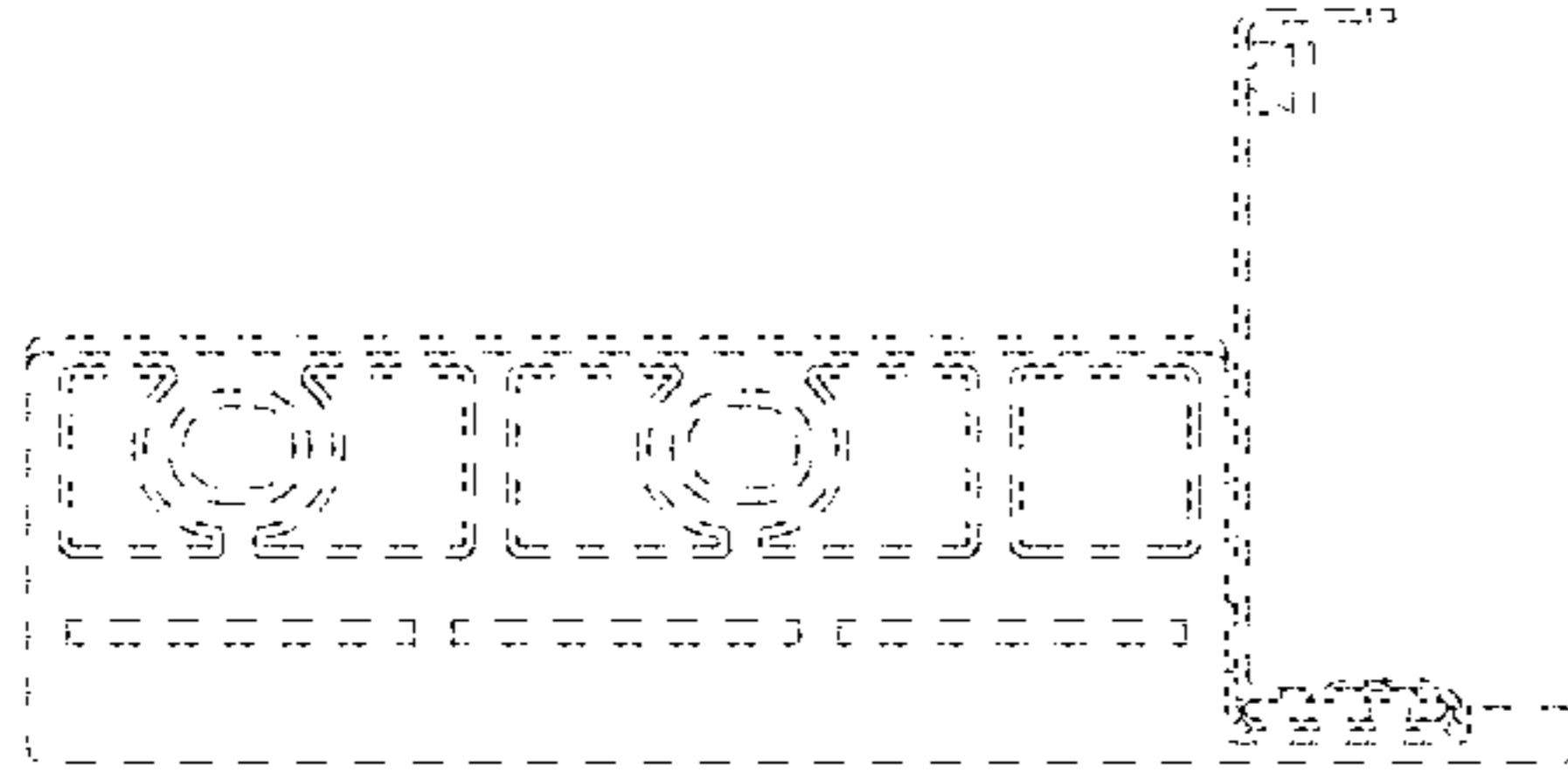


FIG. 4

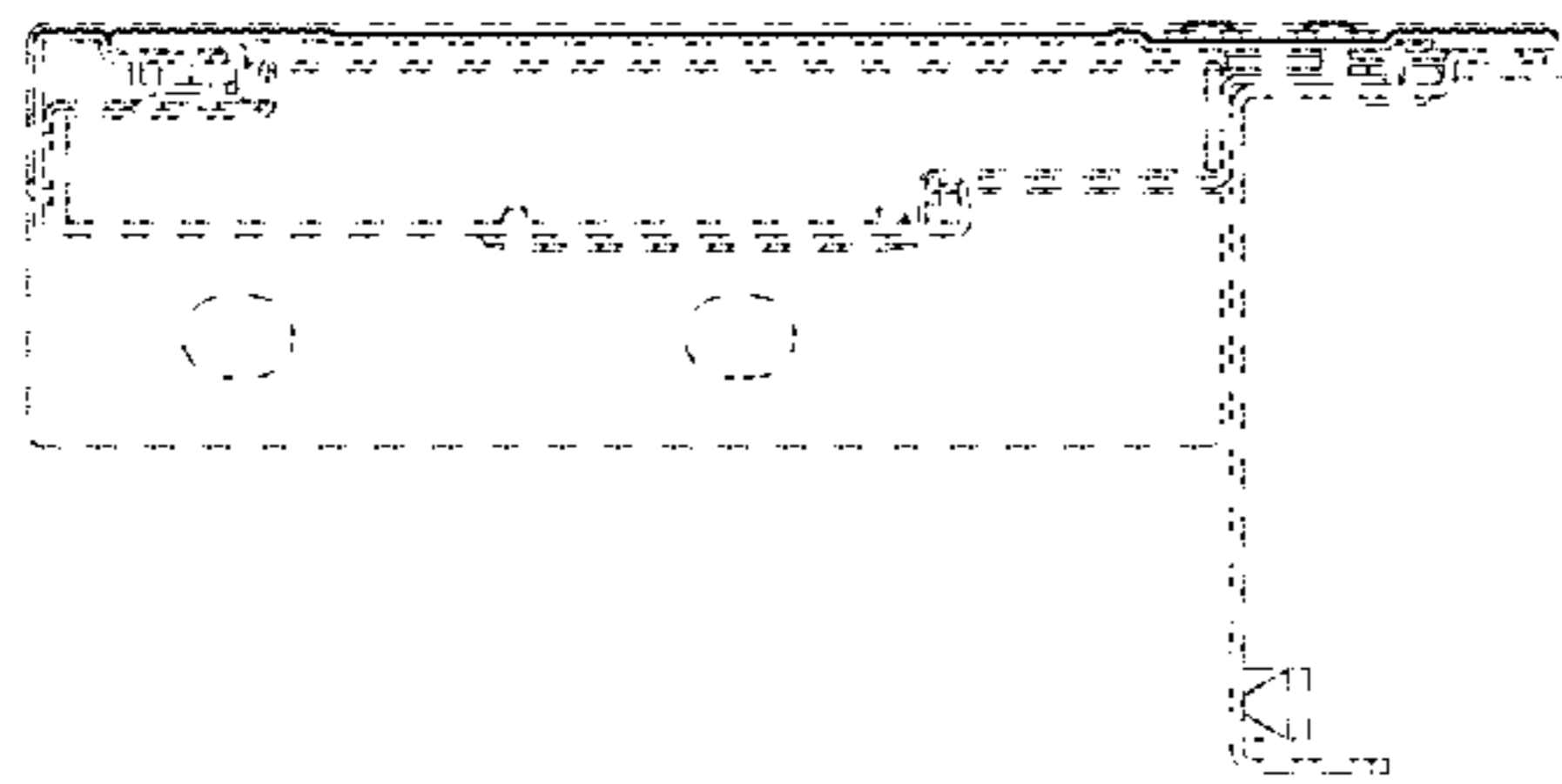


FIG. 5

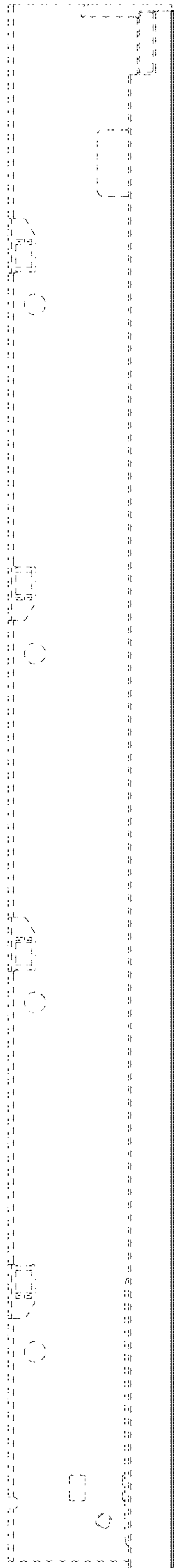


FIG. 6

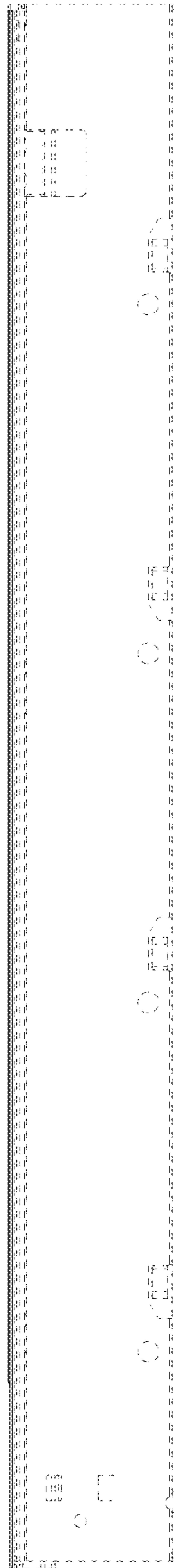


FIG. 7

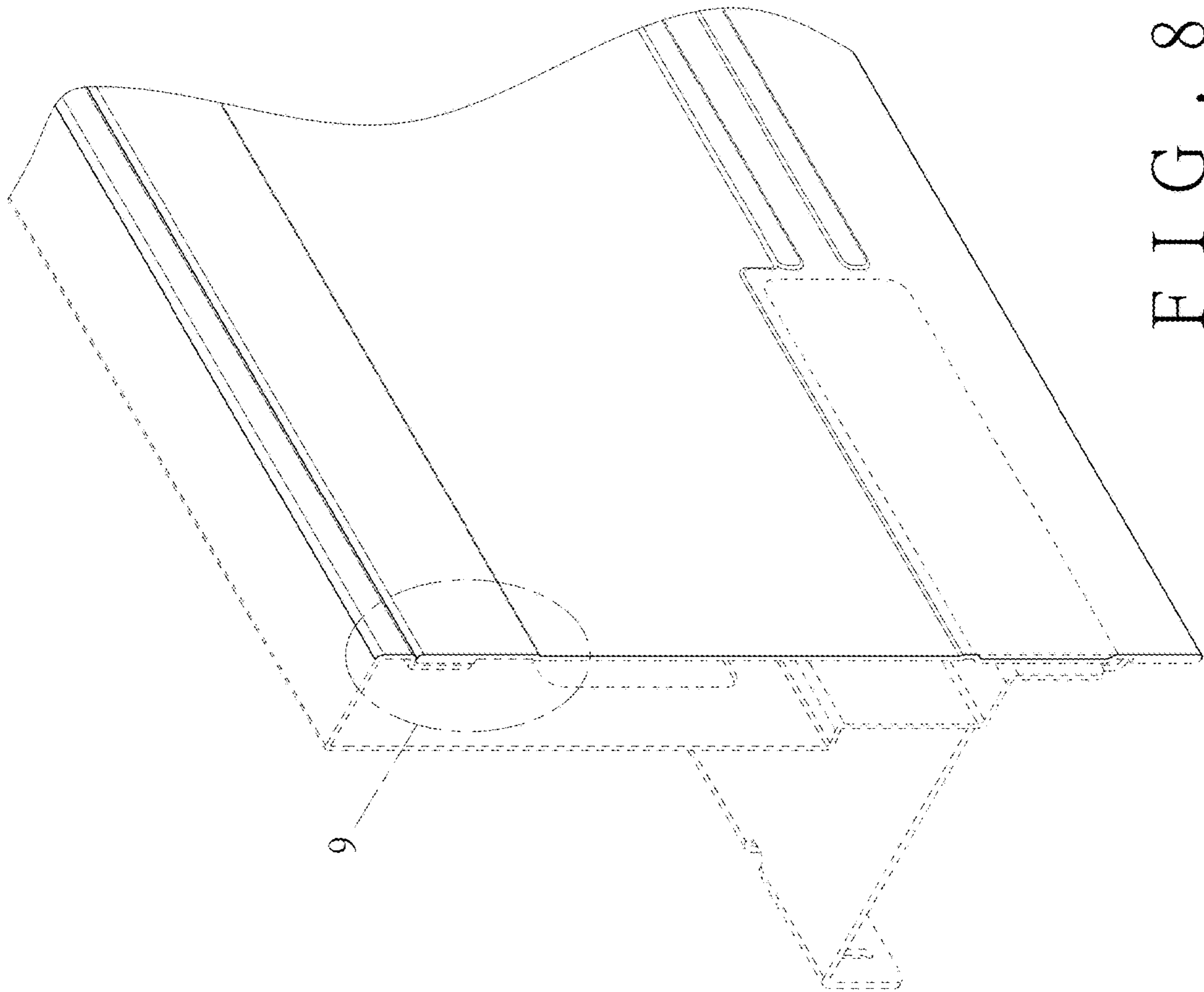


FIG. 8

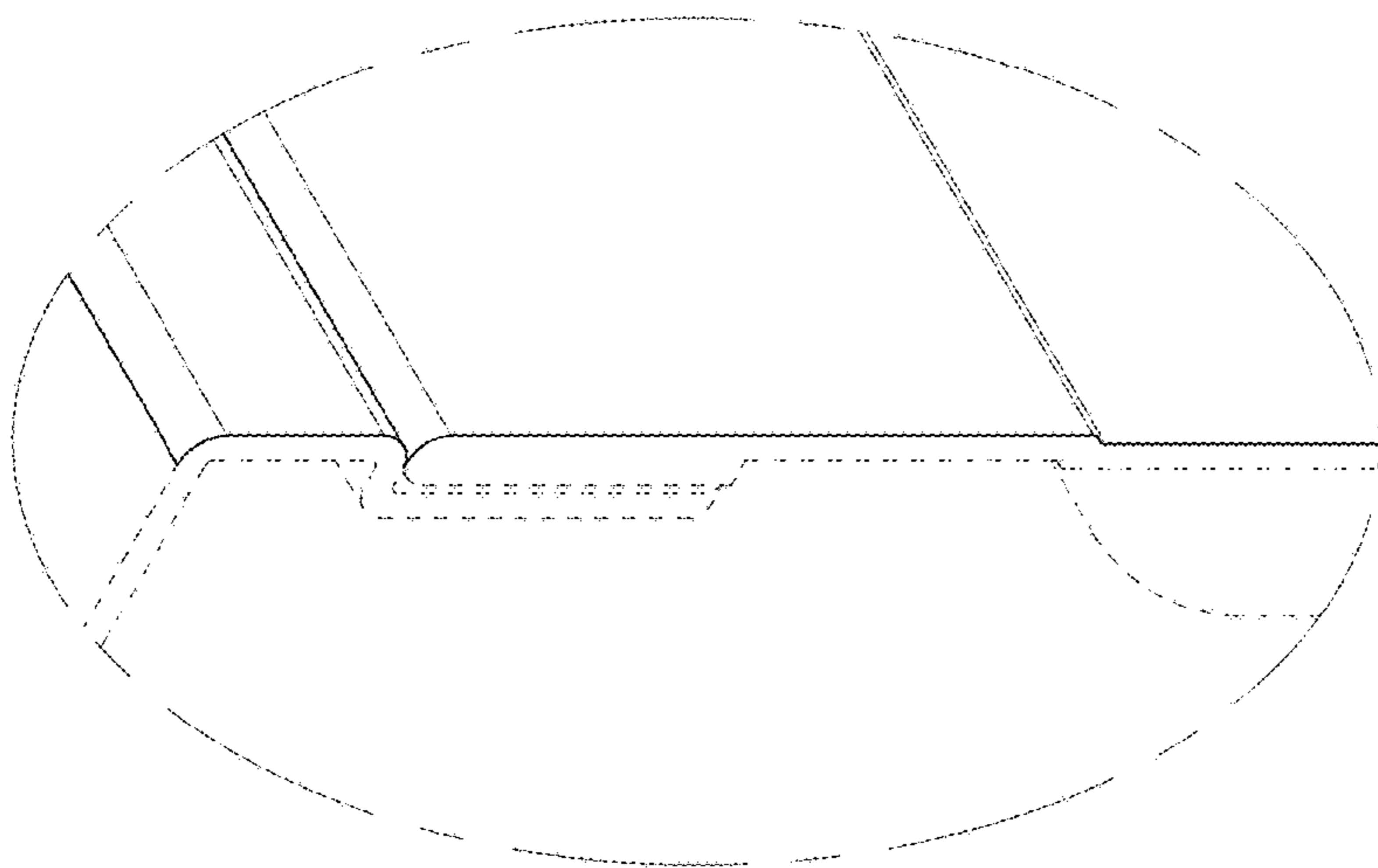


FIG. 9