



US00D889891S

(12) **United States Design Patent**
Klein et al.

(10) **Patent No.:** **US D889,891 S**
(45) **Date of Patent:** **** Jul. 14, 2020**

(54) **ROLL OUT DRAWER WITH FRONT AND BOTTOM PANELS**

(71) Applicant: **LYNK, INC.**, Lenexa, KS (US)
(72) Inventors: **Richard B. Klein**, Overland Park, KS (US); **Mark A. Etter**, Blue Springs, MO (US)
(73) Assignee: **LYNK, INC.**, Lenexa, KS (US)

(**) Term: **15 Years**
(21) Appl. No.: **29/689,726**

(22) Filed: **May 1, 2019**
(51) **LOC (12) Cl.** **06-06**
(52) **U.S. Cl.**
USPC **D6/705**
(58) **Field of Classification Search**
USPC D6/675.2, 705, 705.6, 706, 708.16;
D7/600.1, 600.4, 554.2; D3/318
CPC A47B 88/0223; A47B 88/00; A47B 88/04;
A47B 88/42; A47B 88/90; A47B 88/483;
(Continued)

(56) **References Cited**

U.S. PATENT DOCUMENTS

D115,103 S * 6/1939 Erickson D6/675.2
2,832,499 A * 4/1958 Maslow A47L 15/501
220/488

(Continued)

OTHER PUBLICATIONS

“Lynk Professional 421721DS Slide Out Wood Cabinet Organizer, 17" W x21" D, Chrome & Wood” Nov. 19, 2007, amazon.com, site visited Mar. 12, 2020 <https://www.amazon.com/Lynk-Professional-421721DS-Cabinet-Organizer/dp/B07PGQPL43/ref=CM_cr_arp_d_product_top?ie=UTF8> (Year: 2007).*

(Continued)

Primary Examiner — Kevin K Rudzinski
Assistant Examiner — Paul D Bohannon
(74) *Attorney, Agent, or Firm* — Stinson LLP

(57) **CLAIM**

The ornamental design for roll out drawer with front and bottom panels, as shown and described.

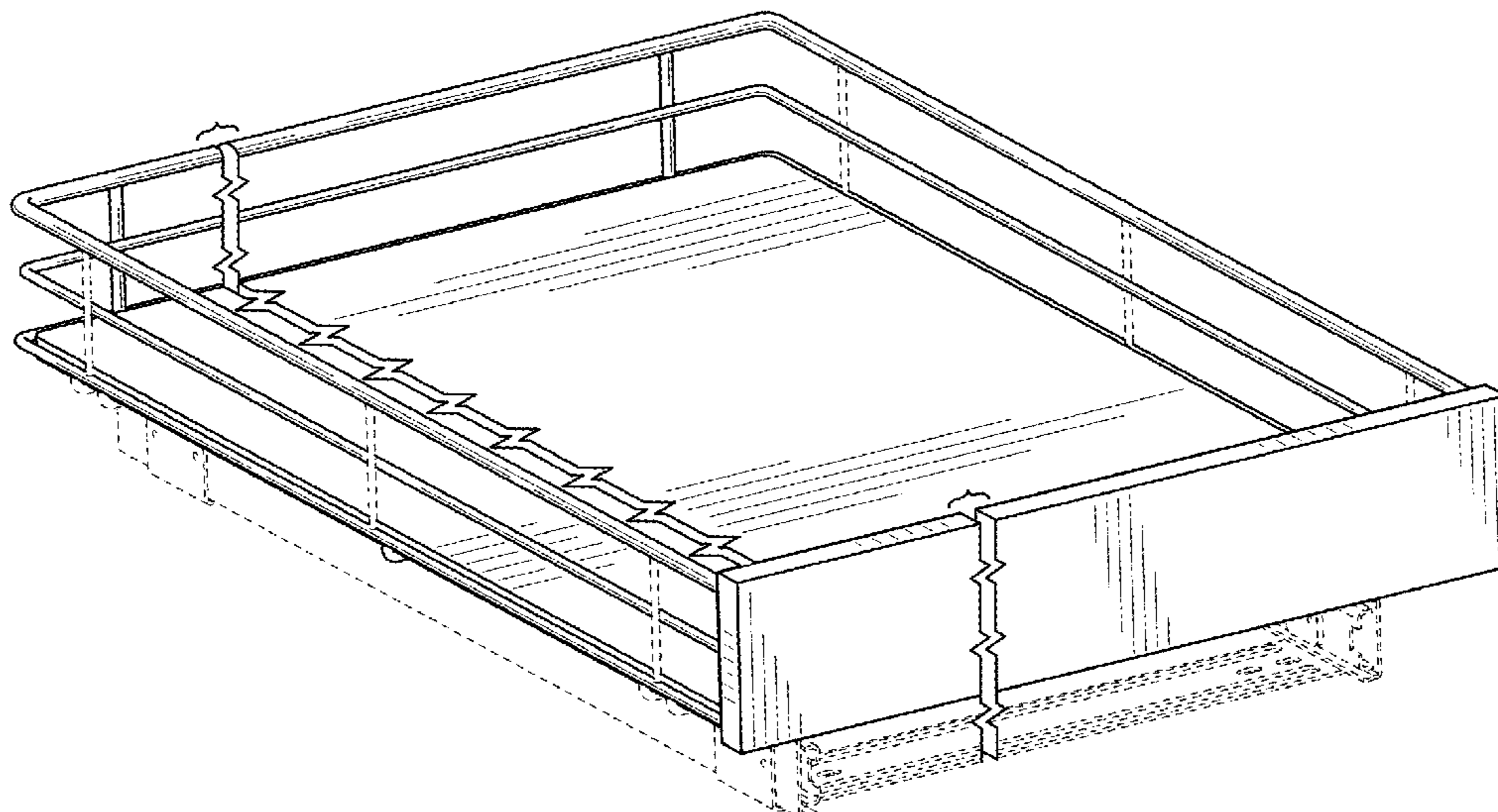
DESCRIPTION

FIG. 1 is a perspective view of the roll out drawer with front and bottom panels;
FIG. 2 is a front elevational view of the roll out drawer with front and bottom panels of FIG. 1;
FIG. 3 is a rear elevational view of the roll out drawer with front and bottom panels of FIG. 1;
FIG. 4 is a right elevational view of the roll out drawer with front and bottom panels of FIG. 1;
FIG. 5 is a left elevational view of the roll out drawer with front and bottom panels of FIG. 1;
FIG. 6 is a top plan view of the roll out drawer with front and bottom panels of FIG. 1;
FIG. 7 is a bottom plan view of the roll out drawer with front and bottom panels of FIG. 1;
FIG. 8 is a perspective view of a second embodiment of the roll out drawer with front and bottom panels shown with an alternate wood grain panel pattern;
FIG. 9 is a front elevational view thereof;
FIG. 10 is a rear elevational view thereof;
FIG. 11 is a right elevational view thereof;
FIG. 12 is a left elevational view thereof;
FIG. 13 is a top plan view thereof; and,
FIG. 14 is a bottom plan view thereof.

The roll out drawer with front and bottom panels is shown with symbolic breaks in its length and width. The appearance of any portion of the article between the break lines forms no part of the claimed design.

The broken lines shown in the drawings are for the purpose of illustrating environmental subject matter and form no part of the claimed design.

1 Claim, 8 Drawing Sheets



US D889,891 S

Page 2

(58) **Field of Classification Search**

CPC A47B 88/994; A47L 15/50; A47L 15/501;
A47F 3/14; B01L 9/00

See application file for complete search history.

(56) **References Cited**

U.S. PATENT DOCUMENTS

3,717,259 A * 2/1973 Fried A47F 3/14
211/126.9
D317,094 S * 5/1991 Weinberg D6/675.2
D377,569 S * 1/1997 Coyer D6/705
D547,094 S 7/2007 Klein et al.
D556,476 S * 12/2007 Butler D6/675.2
D568,077 S 5/2008 Klein et al.
D568,635 S 5/2008 Klein et al.
D588,839 S 3/2009 Klein et al.
D589,729 S 4/2009 Klein et al.
D589,730 S 4/2009 Klein et al.
D590,195 S 4/2009 Klein et al.
D593,347 S * 6/2009 Kilpatrick D6/704
7,810,890 B2 * 10/2010 Klein A47B 88/483
312/334.33
D628,388 S 12/2010 Klein et al.
D650,238 S * 12/2011 Klein D7/554.2
D654,734 S * 2/2012 Snider D6/705.6
D684,402 S * 6/2013 Gasser D6/705
D684,403 S * 6/2013 Gasser D6/705
D708,906 S * 7/2014 Tiemann D7/600.1
D708,907 S * 7/2014 Tiemann D7/600.1
D708,908 S * 7/2014 Tiemann D7/600.1
D708,909 S * 7/2014 Tiemann D7/600.1
D716,850 S * 11/2014 Seo D15/89
D761,043 S * 7/2016 Snider D6/675.2

D802,369 S * 11/2017 Hertaus D7/600.1
D876,169 S * 2/2020 Klein D7/600.4
2008/0088213 A1 * 4/2008 Klein A47B 88/483
312/334.34
2009/0236958 A1 * 9/2009 Klein A47B 87/0223
312/332.1
2014/0217876 A1 * 8/2014 Tsai A47B 88/57
312/334.44
2018/0177297 A1 * 6/2018 Held A47B 88/931

OTHER PUBLICATIONS

Website Advertisement, "Household Essentials Glidez Under-the-Cabinet Pull Out Drawer", downloaded from the Internet approximately Apr. 25, 2019 (1 pg).

Website Advertisement, "Full Extension Baltic Birch Slide-Out Shelf", downloaded from the Internet approximately Apr. 25, 2019 (1 pg).

Website Advertisement, Amazon.com, "Household Essentials 1265B-1 Glidez Under Sink Sliding Organizer/Pull Out C Shelf/Wood/11.5 Inches Wide", downloaded from the internet approximately Apr. 25, 2019 at https://www.amazon.com/Household-Essentials-1265B-1-Sliding-Organizer/dp/B00E0180AW/ref=sr_1_fkmrnull_1?keywords=household+essentials+1265b-1&qid=1556641023&s=gateway&sr=8-1-fkmrnull (1 pg).

Website Advertisement, Amazon.com, "Household Essentials C2512-1 Glidez 1-Tier Sliding Cabinet organizer 11.5' Wide w/Grip Board Base Chrome", downloaded from the internet approximately Apr. 25, 2019 at https://www.amazon.com/Household-Essentials-C2512-1-Sliding-Organizer/dp/B06W2M6194/ref=sr_1_fkmrnull_1?keywords=household+essentials+C2512-1&qid=1556641202&s=gateway&sr=8-1-fkmrnull (1 pg).

* cited by examiner

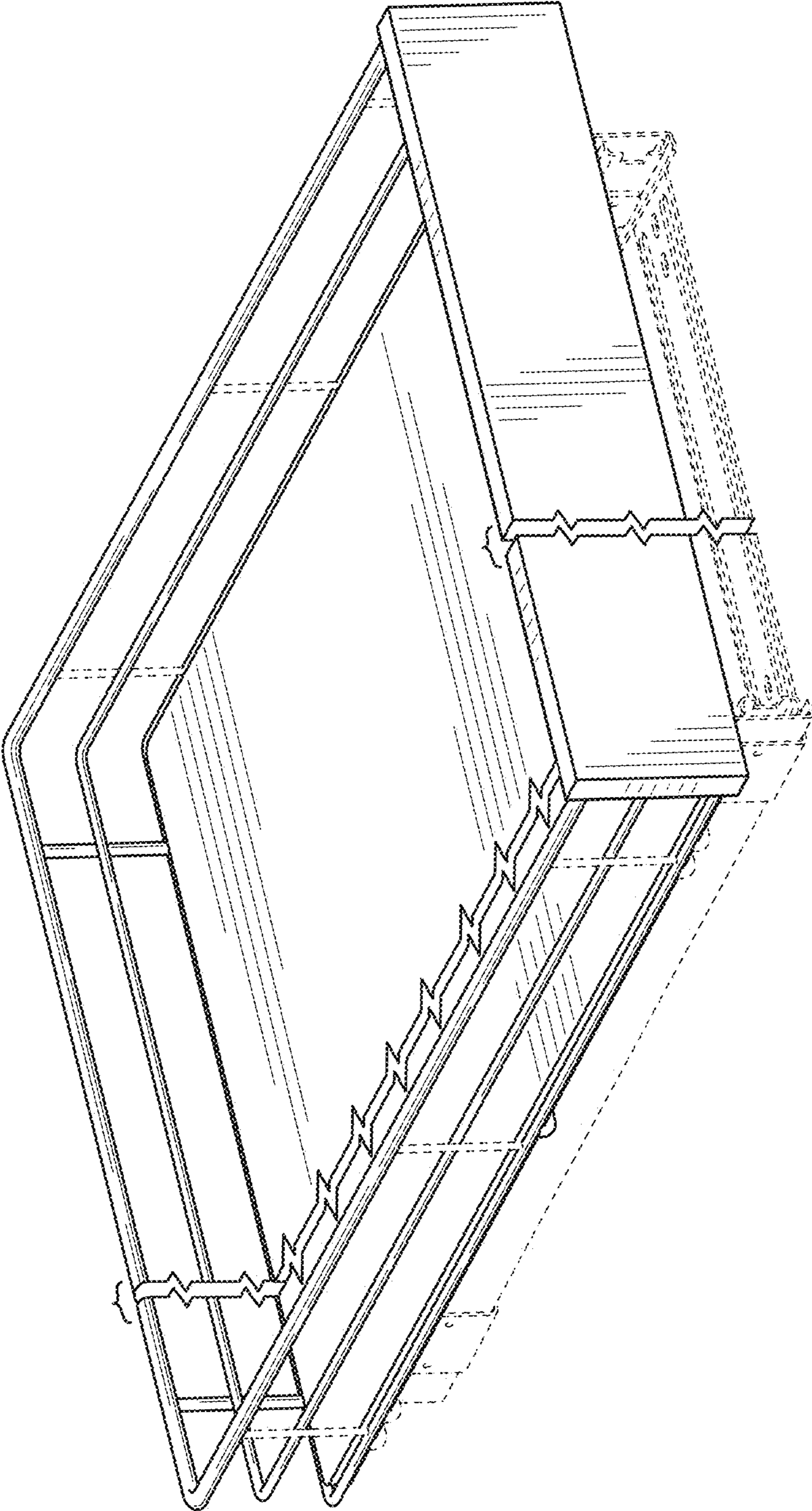


FIG. 1

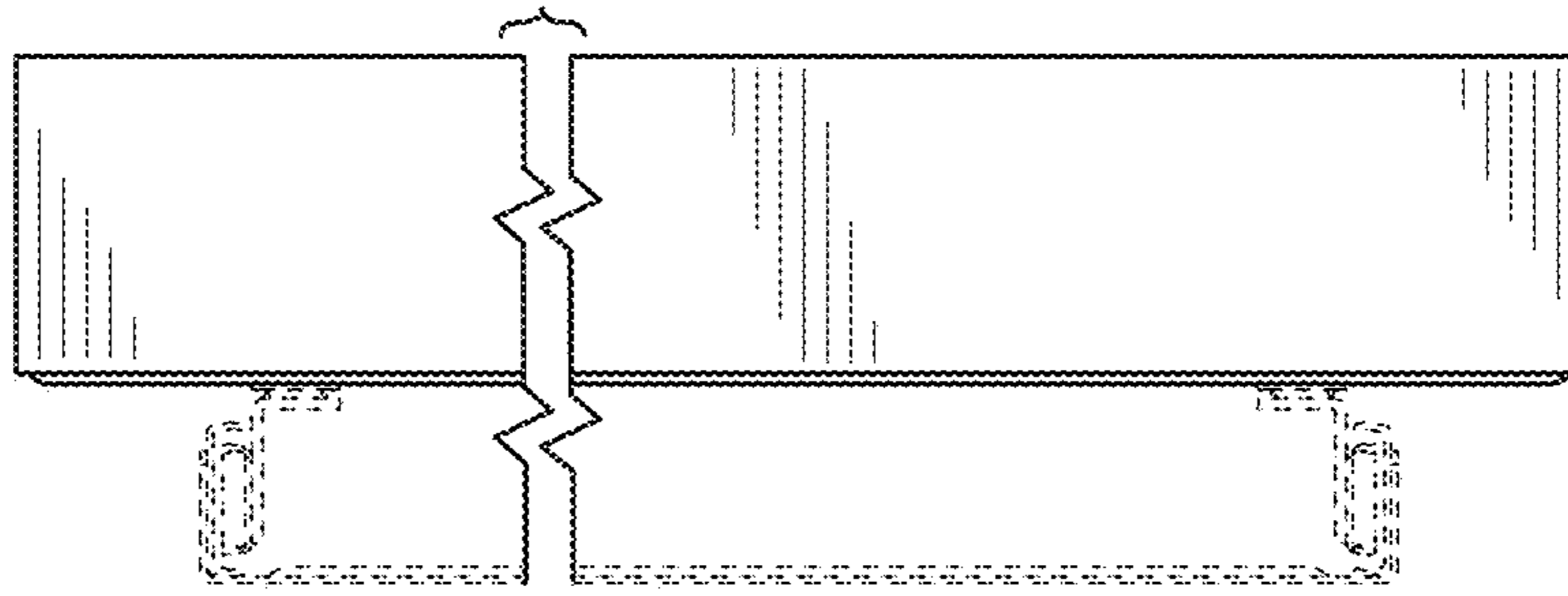


FIG. 2

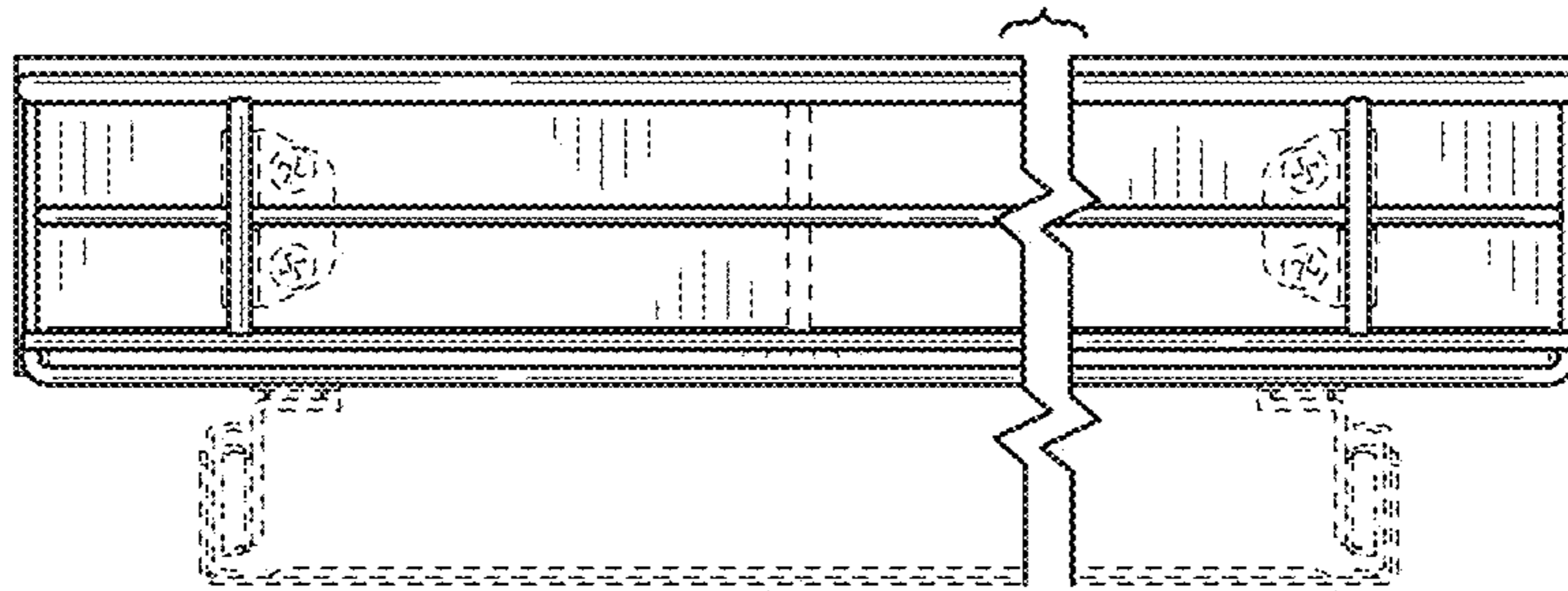


FIG. 3

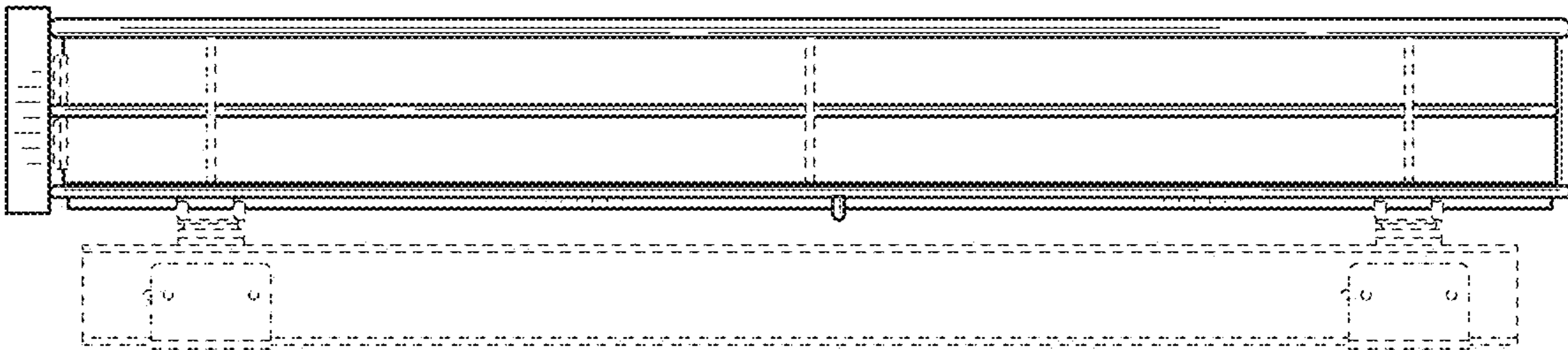


FIG. 4

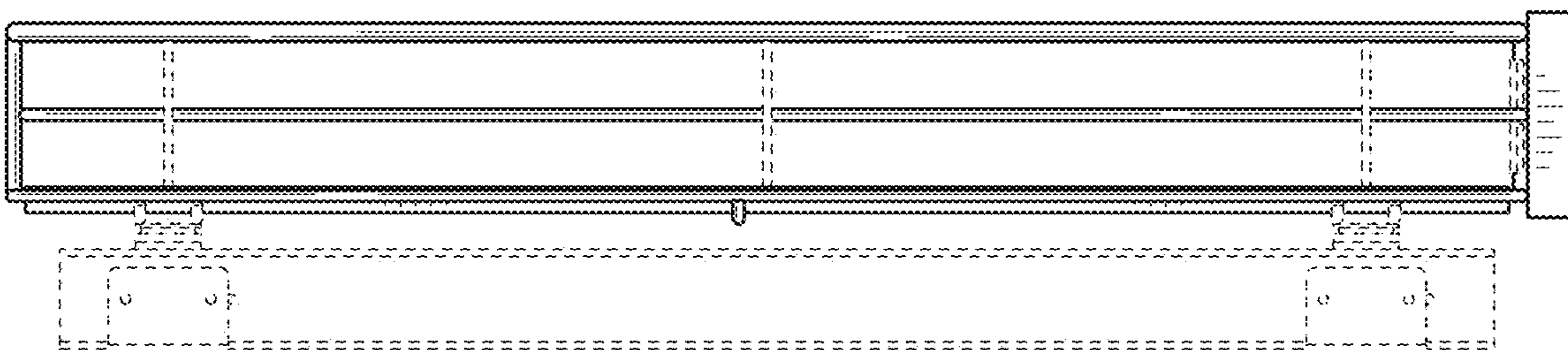


FIG. 5

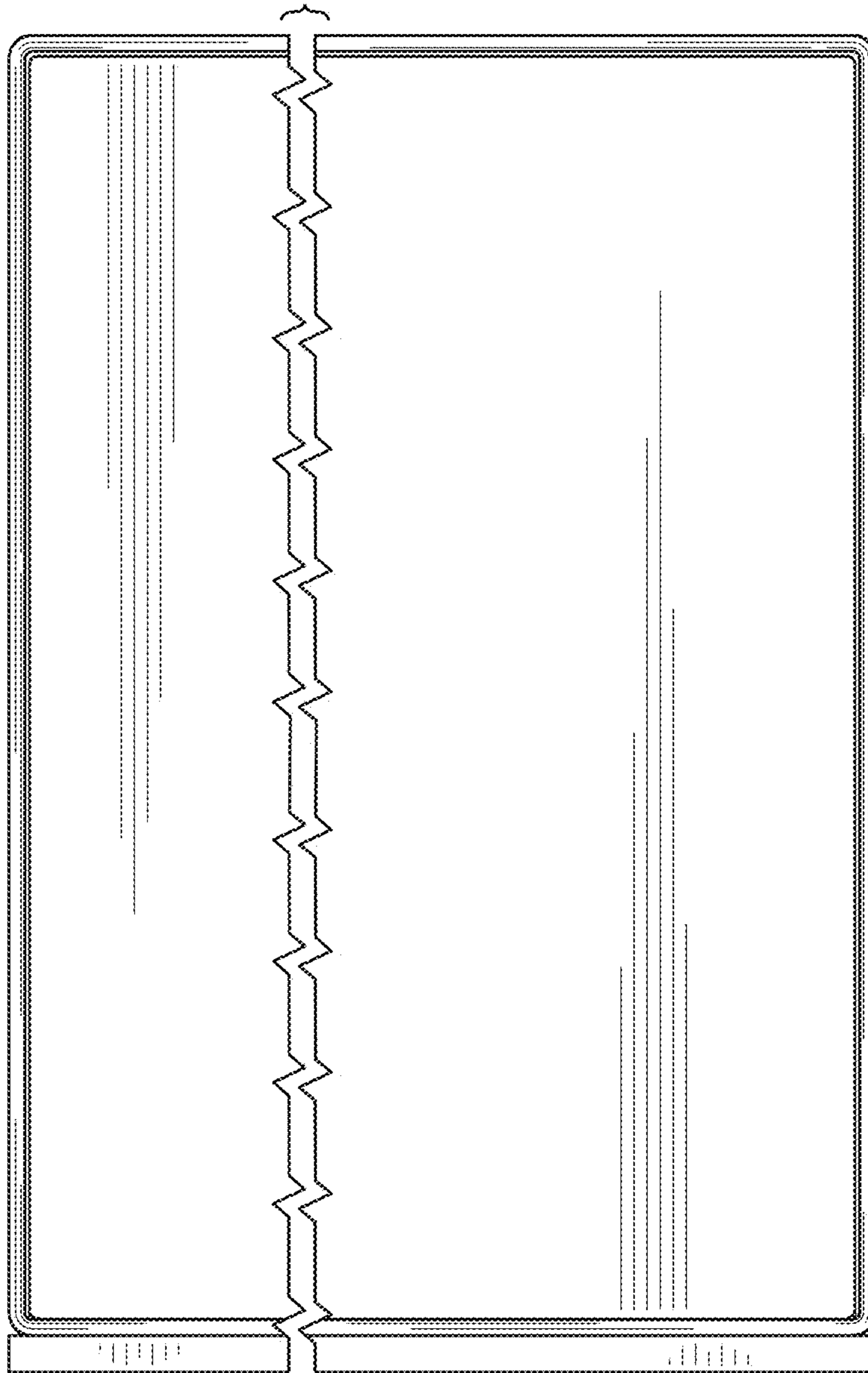


FIG. 6

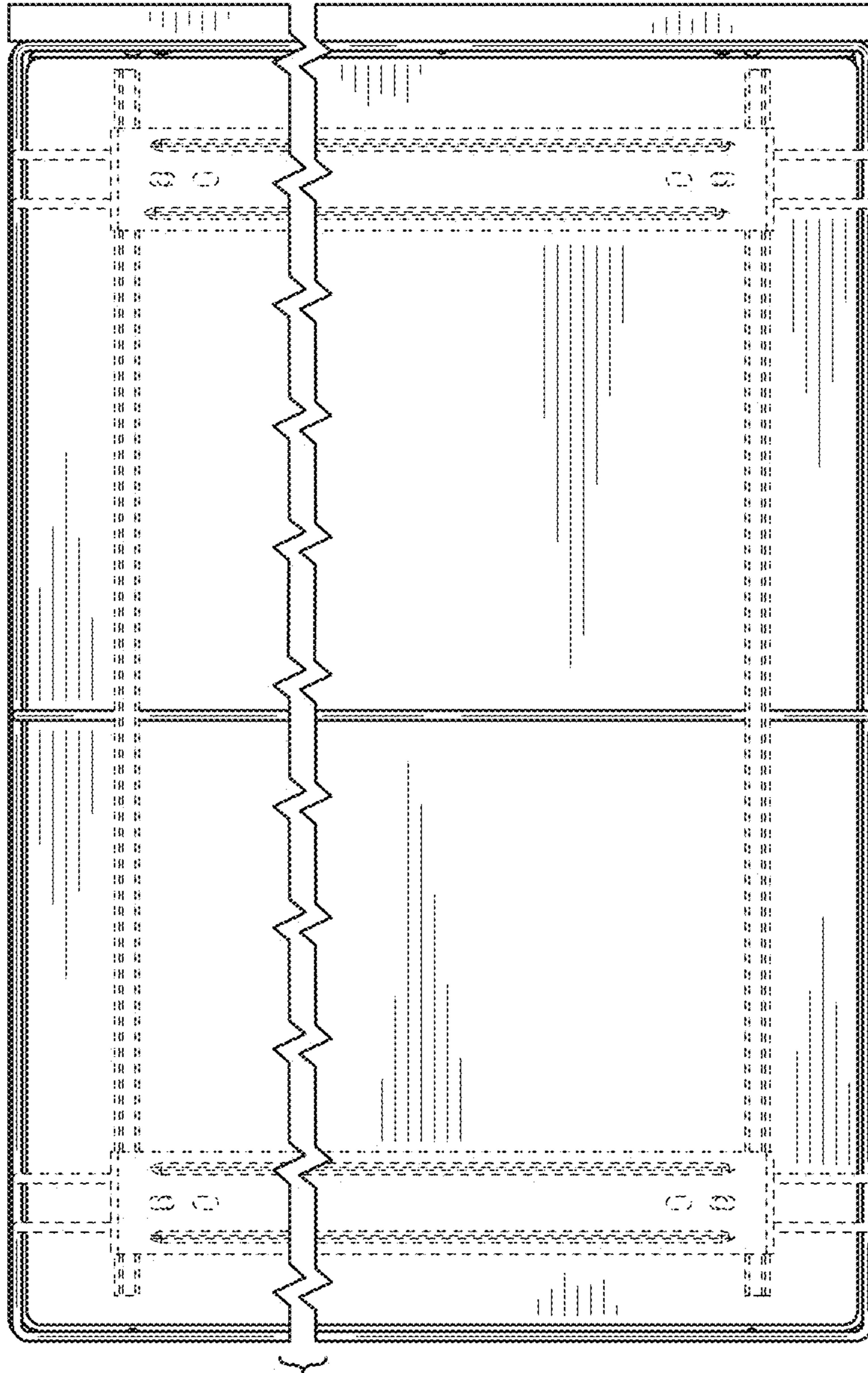


FIG. 7

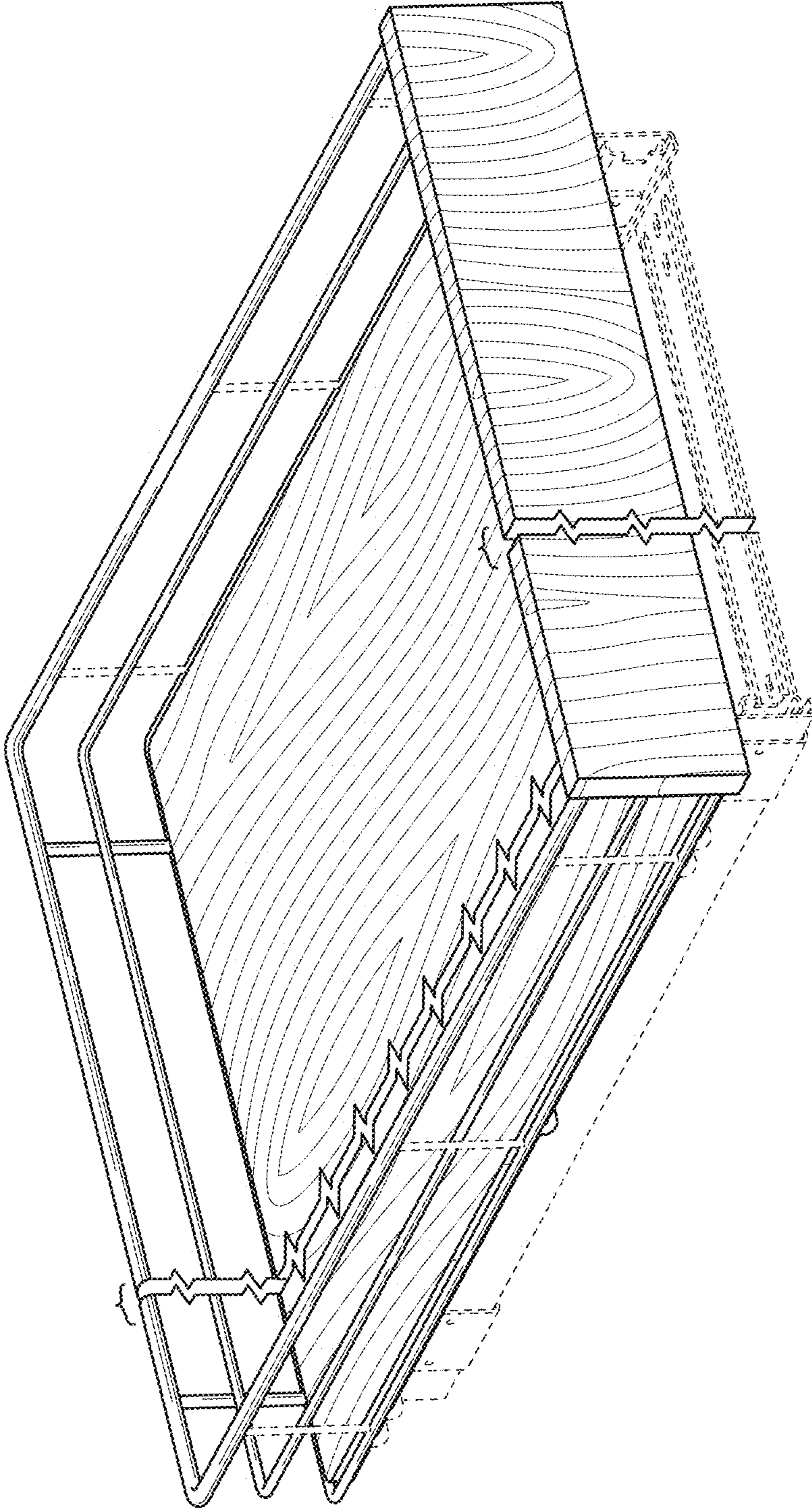


FIG. 8

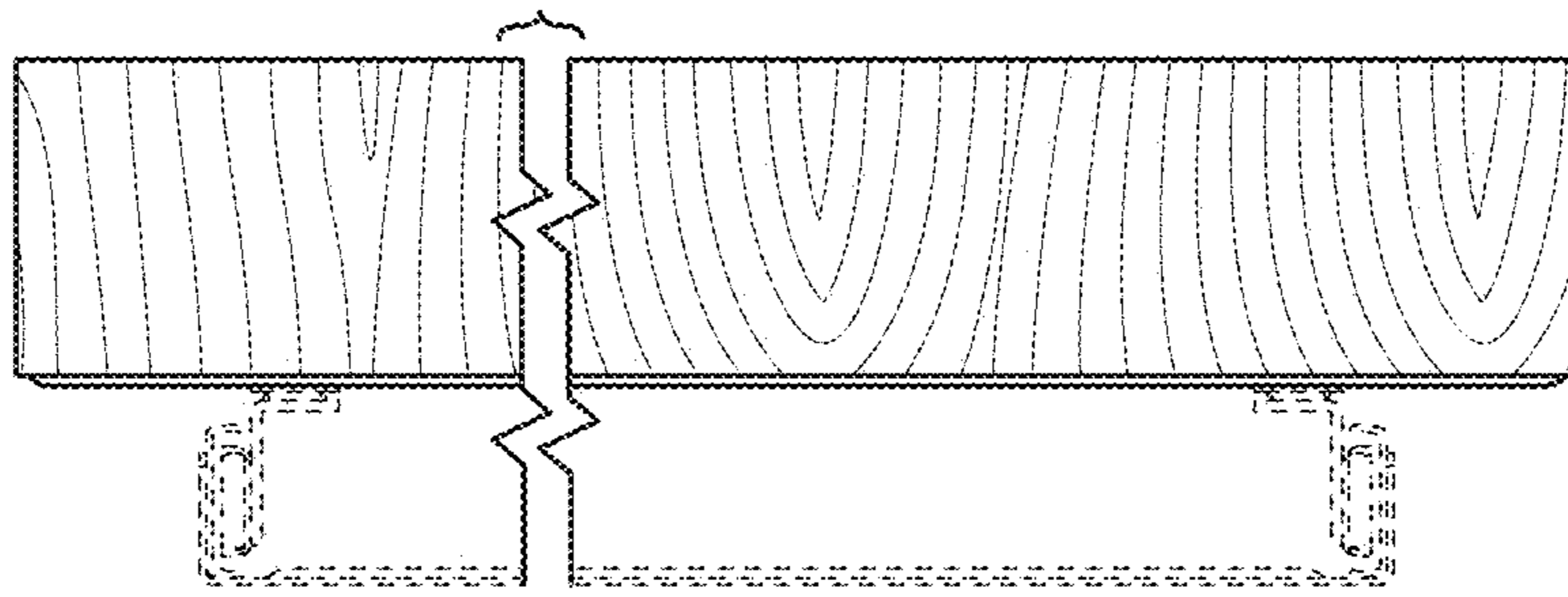


FIG. 9

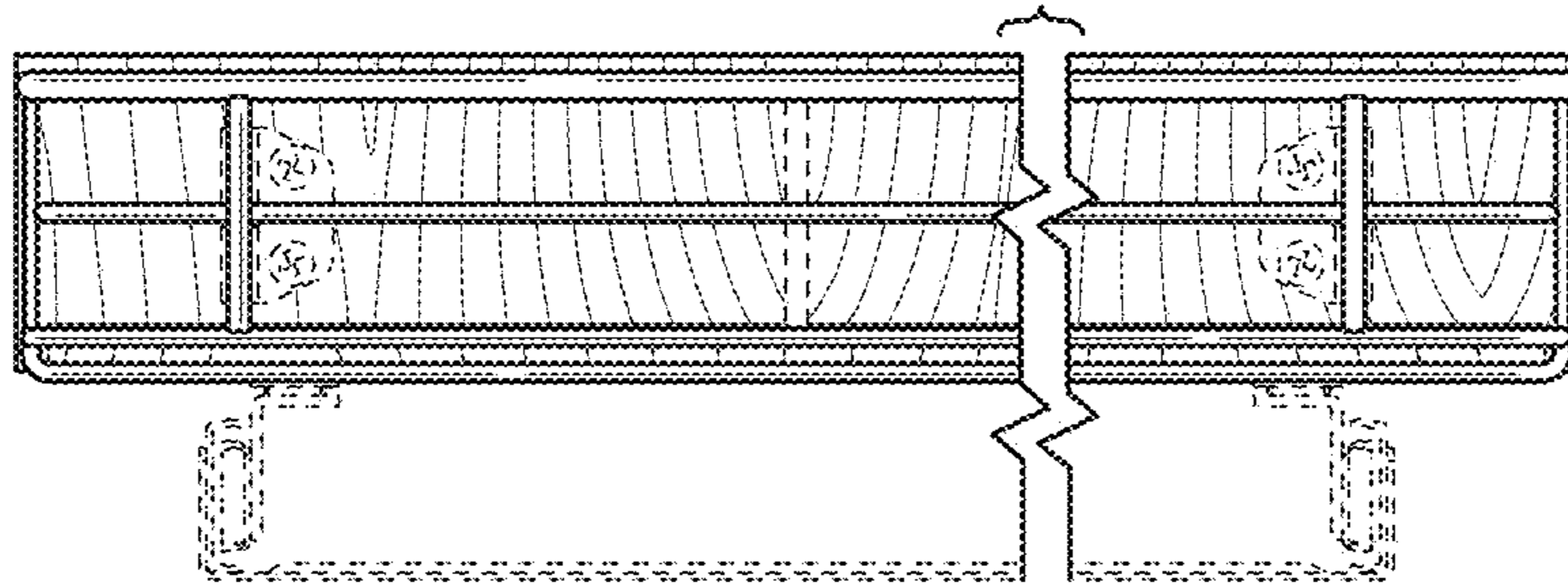


FIG. 10

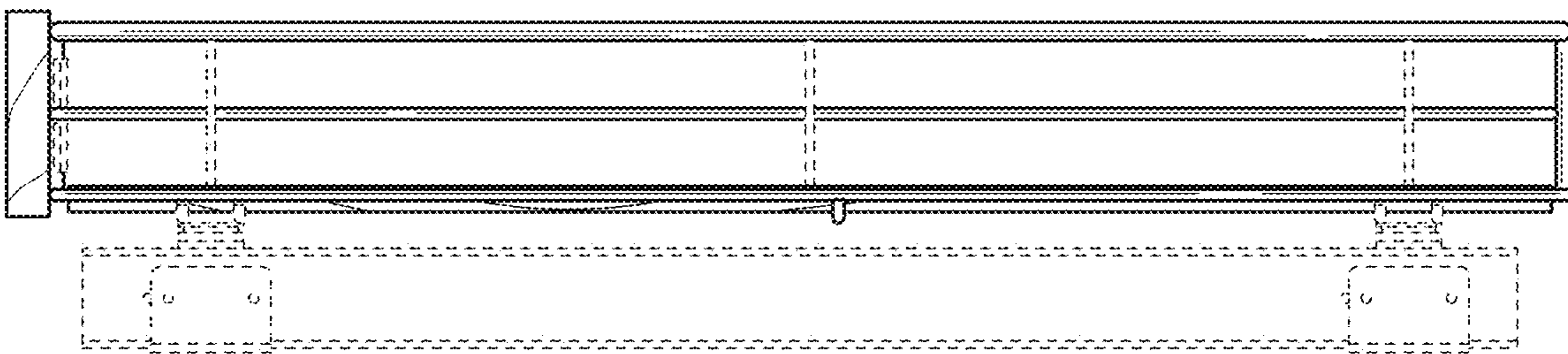


FIG. 11

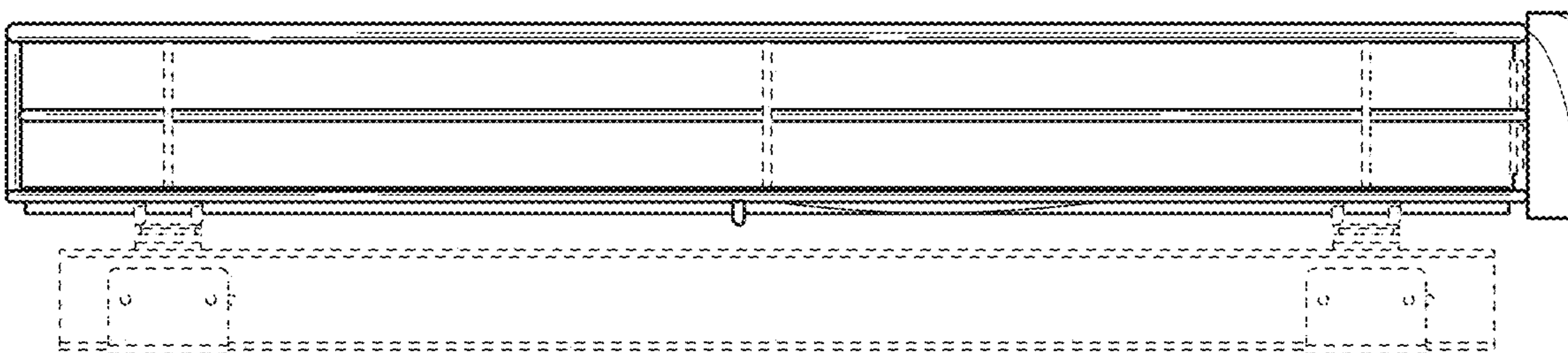


FIG. 12

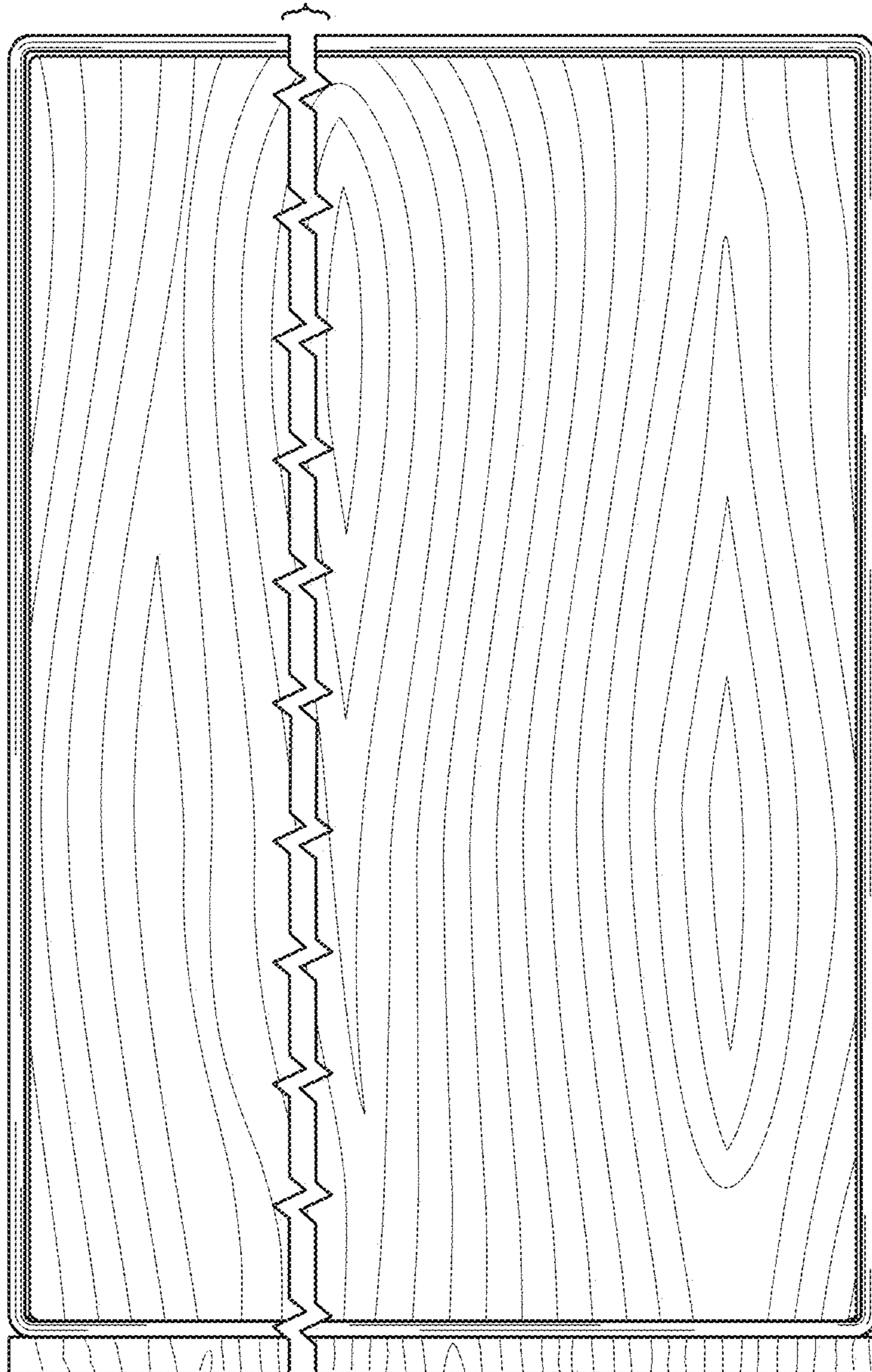


FIG. 13

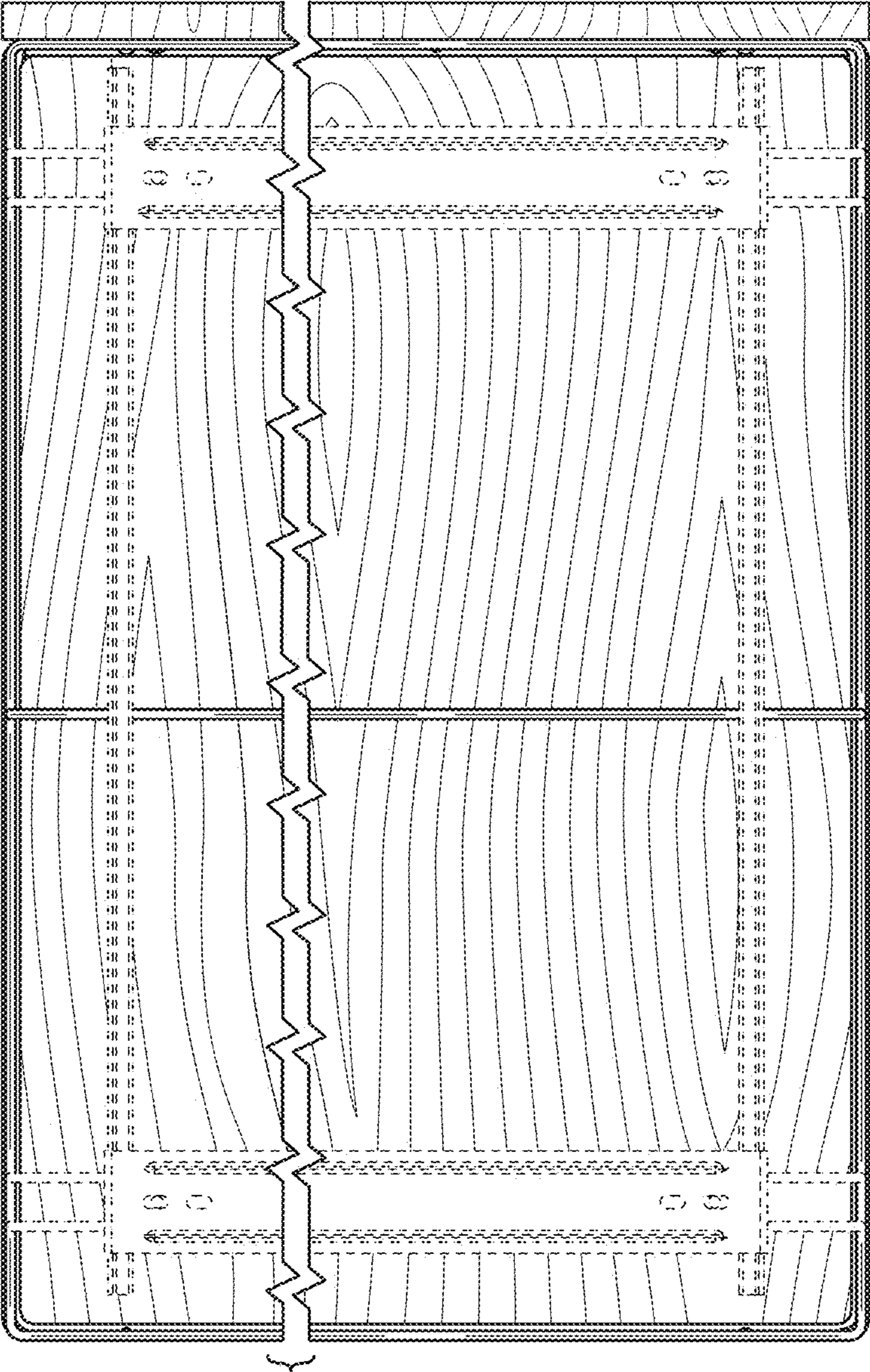


FIG. 14