



US00D889889S

(12) **United States Design Patent**
Tang

(10) **Patent No.:** **US D889,889 S**

(45) **Date of Patent:** **** Jul. 14, 2020**

(54) **MINI TABLE**

D857,008 S * 8/2019 Tang D14/336
D876,130 S * 2/2020 Dash A47B 83/001

(71) Applicant: **eMoMo Technology Co., Ltd.**,
Shenzhen (CN)

2018/0295986 A1* 10/2018 Dash A47B 31/02
D6/671

(72) Inventor: **Wenji Tang**, Shenzhen (CN)

OTHER PUBLICATIONS

(73) Assignee: **eMoMo Technology Co., Ltd.**,
Shenzhen (CN)

Chair Side End Table Almost Black, Signature Design by Ashley
Carlyle available at Amazon.com <https://www.amazon.com/Ashley-Furniture-Signature-Design-Contemporary/dp/B00L2H4FZ6?r>.*

(**) Term: **15 Years**

* cited by examiner

(21) Appl. No.: **29/659,840**

Primary Examiner — Mary Ann Calabrese

(22) Filed: **Aug. 13, 2018**

(74) *Attorney, Agent, or Firm* — Moyles IP, LLC

(51) **LOC (12) Cl.** **06-03**

(52) **U.S. Cl.**
USPC **D6/691**

(57) **CLAIM**

(58) **Field of Classification Search**
USPC .. D6/641, 642, 685, 686, 691, 691.1–691.9;
D13/123, 137.1, 139.1; D14/301
CPC A47B 7/00; A47B 13/00; A47B 13/02;
A47B 13/04; A47B 13/06; A47B 13/08;
A47B 13/10; A47B 13/12; A47B 17/00;
A47B 21/00; A47B 2200/0001; A47B
2200/0011; A47B 2200/002; A47B
2083/003

I claim the ornamental design of a mini table, as shown and described.

See application file for complete search history.

DESCRIPTION

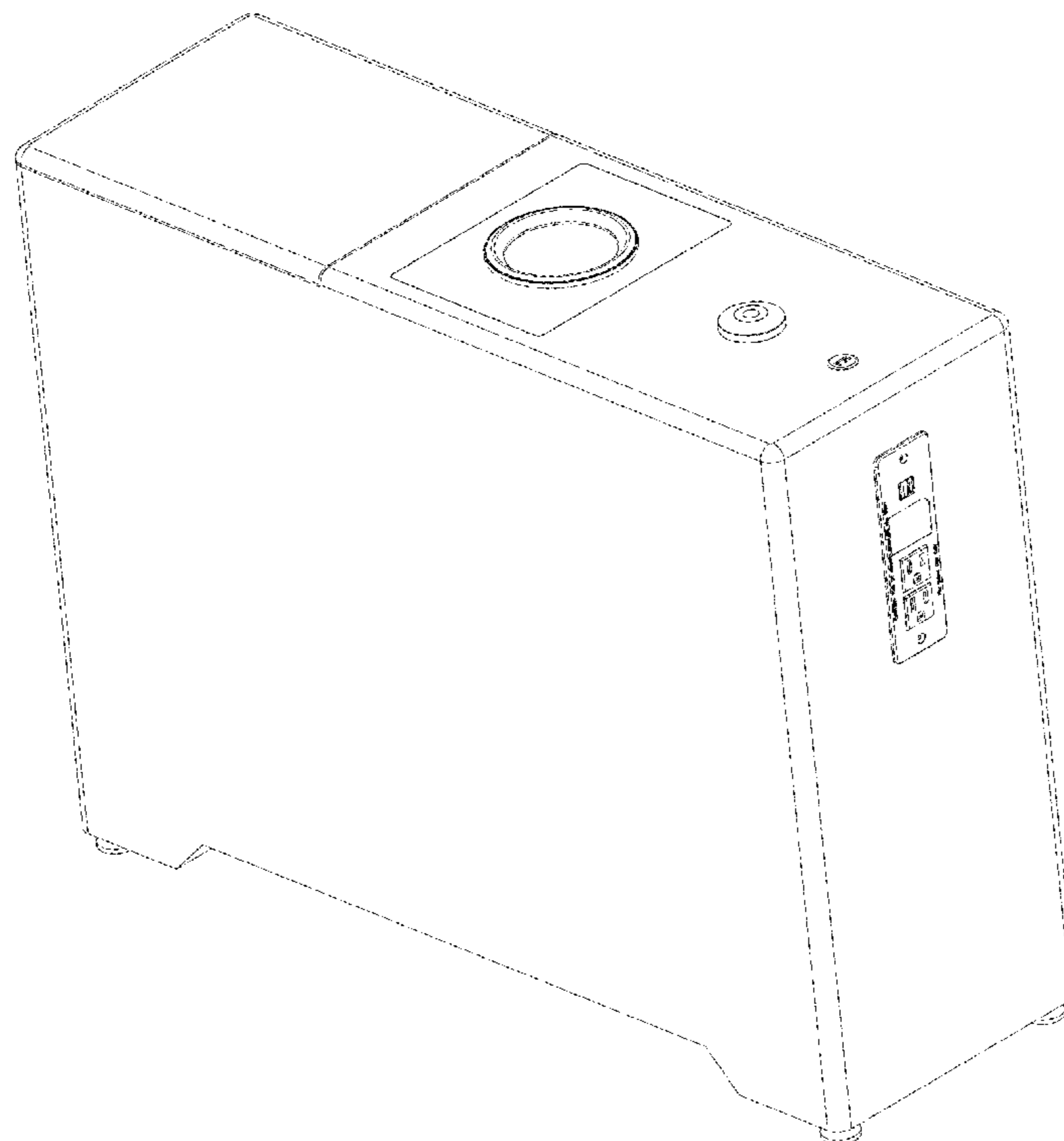
(56) **References Cited**

U.S. PATENT DOCUMENTS

4,624,083 A * 11/1986 Diffrient A47B 83/001
52/65
D787,238 S * 5/2017 Miller D6/657

FIG. 1 is a top perspective view of a mini table showing my new design;
FIG. 2 is a front view of the mini table of FIG. 1;
FIG. 3 is a right side view of the mini table of FIG. 1;
FIG. 4 is a left side view of the mini table of FIG. 1;
FIG. 5 is a rear view of the mini table of FIG. 1;
FIG. 6 is a top plan view of the mini table of FIG. 1;
FIG. 7 is a bottom perspective view of the mini table of FIG. 1; and,
FIG. 8 is a bottom plan view of the mini table of FIG. 1.

1 Claim, 8 Drawing Sheets



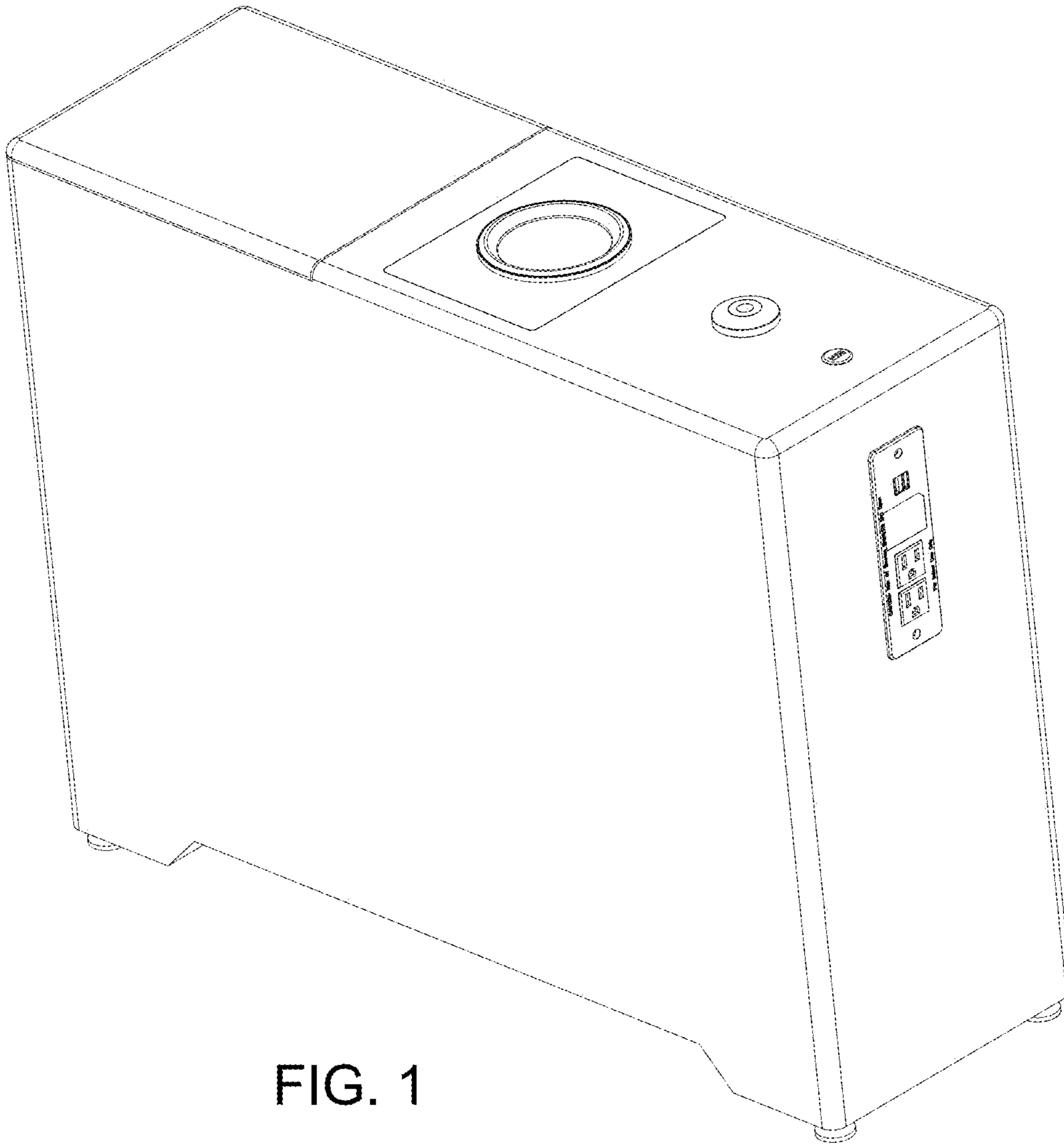


FIG. 1

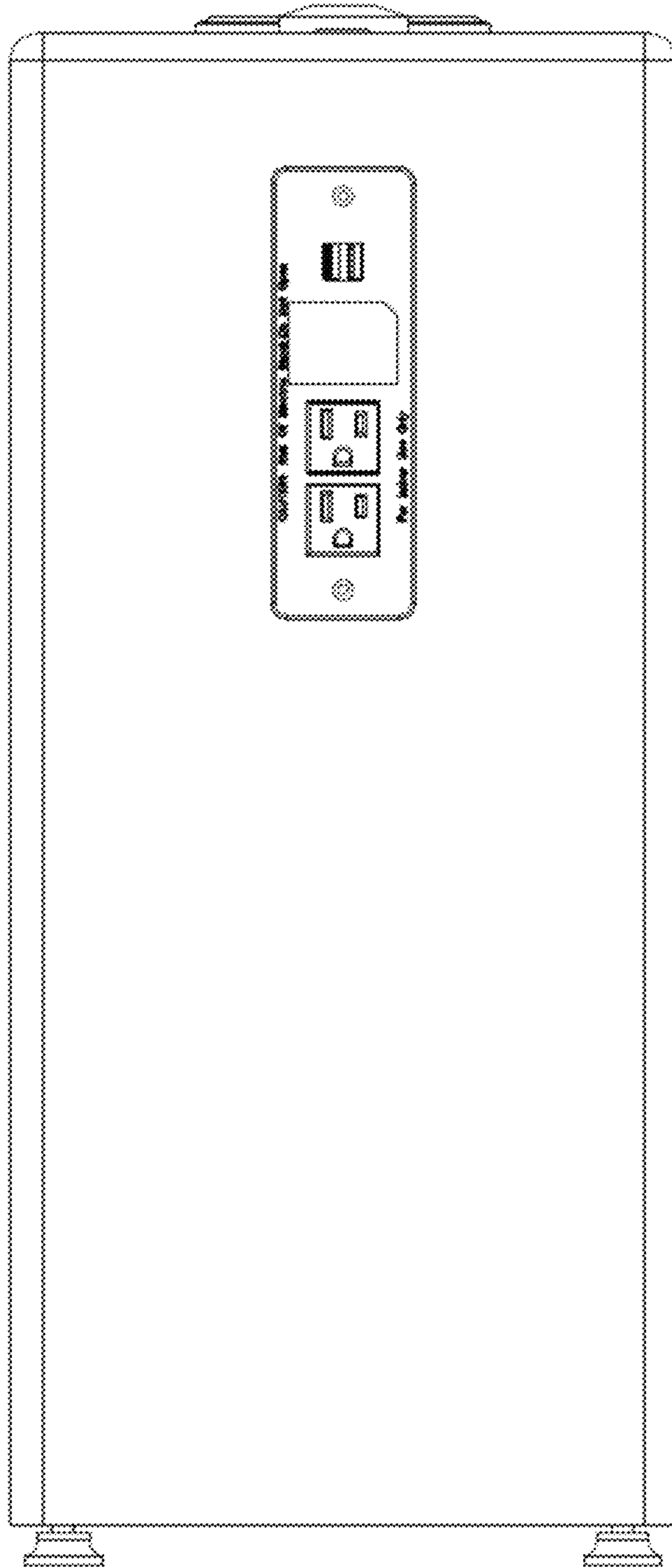


FIG. 2

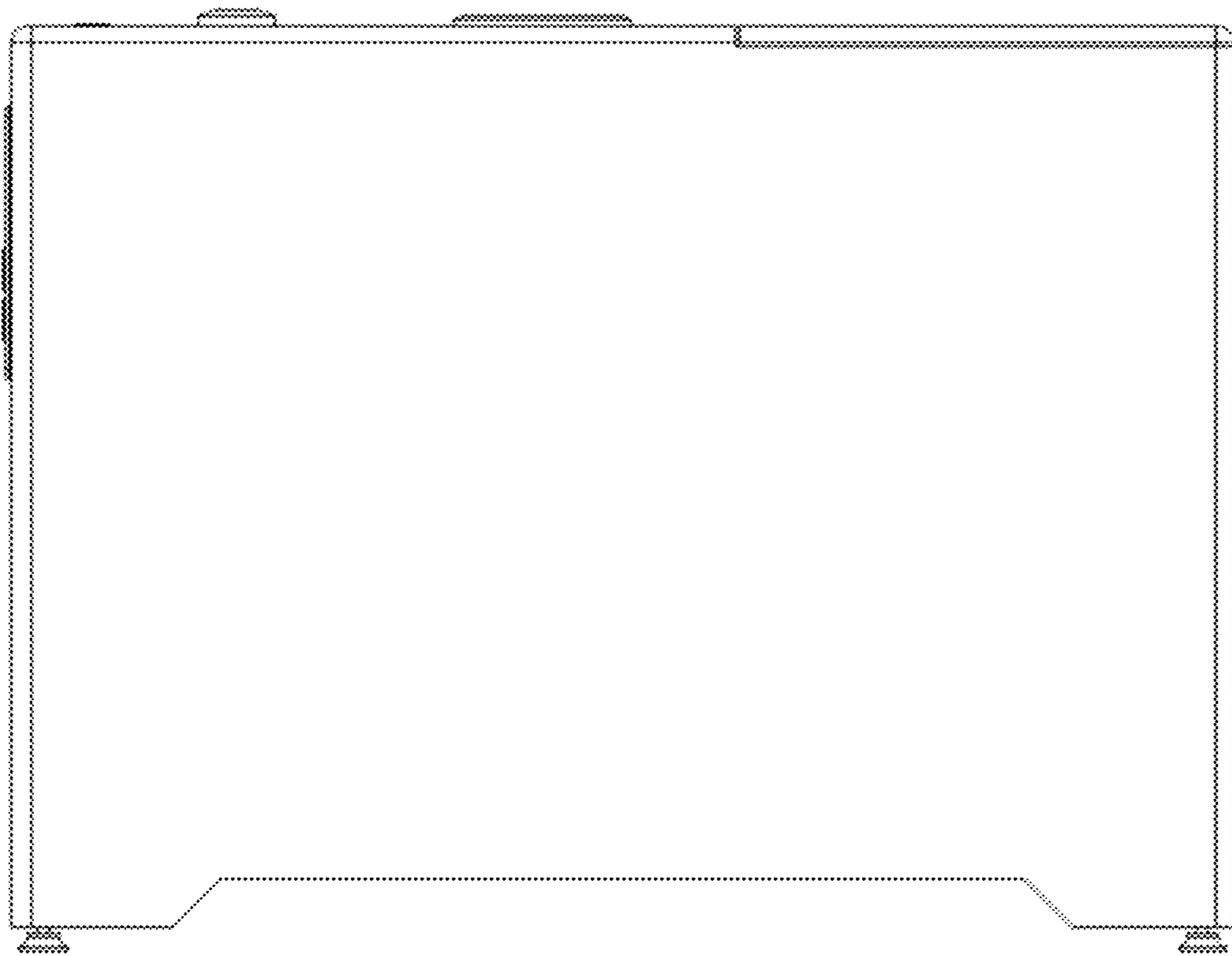


FIG. 3

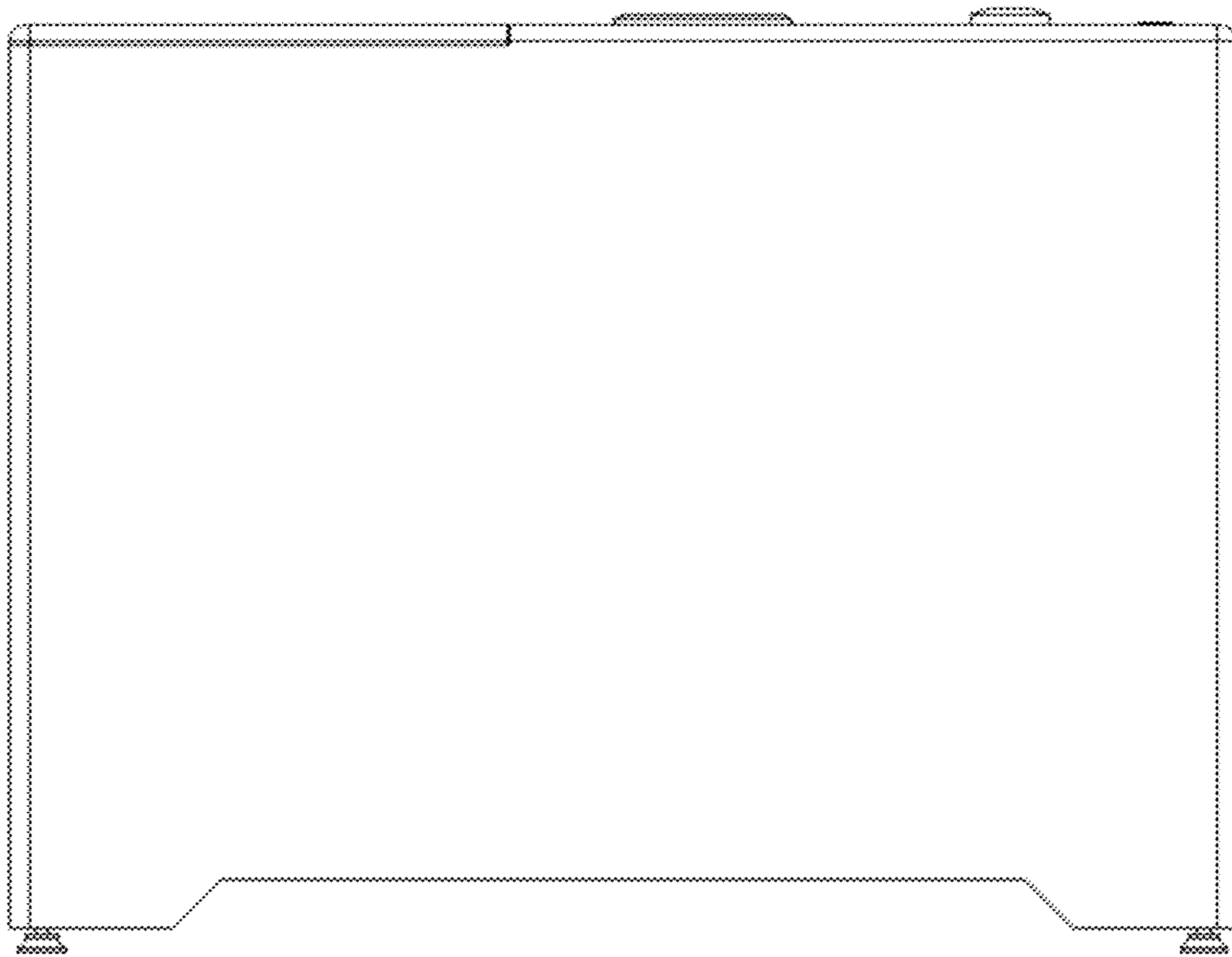


FIG. 4

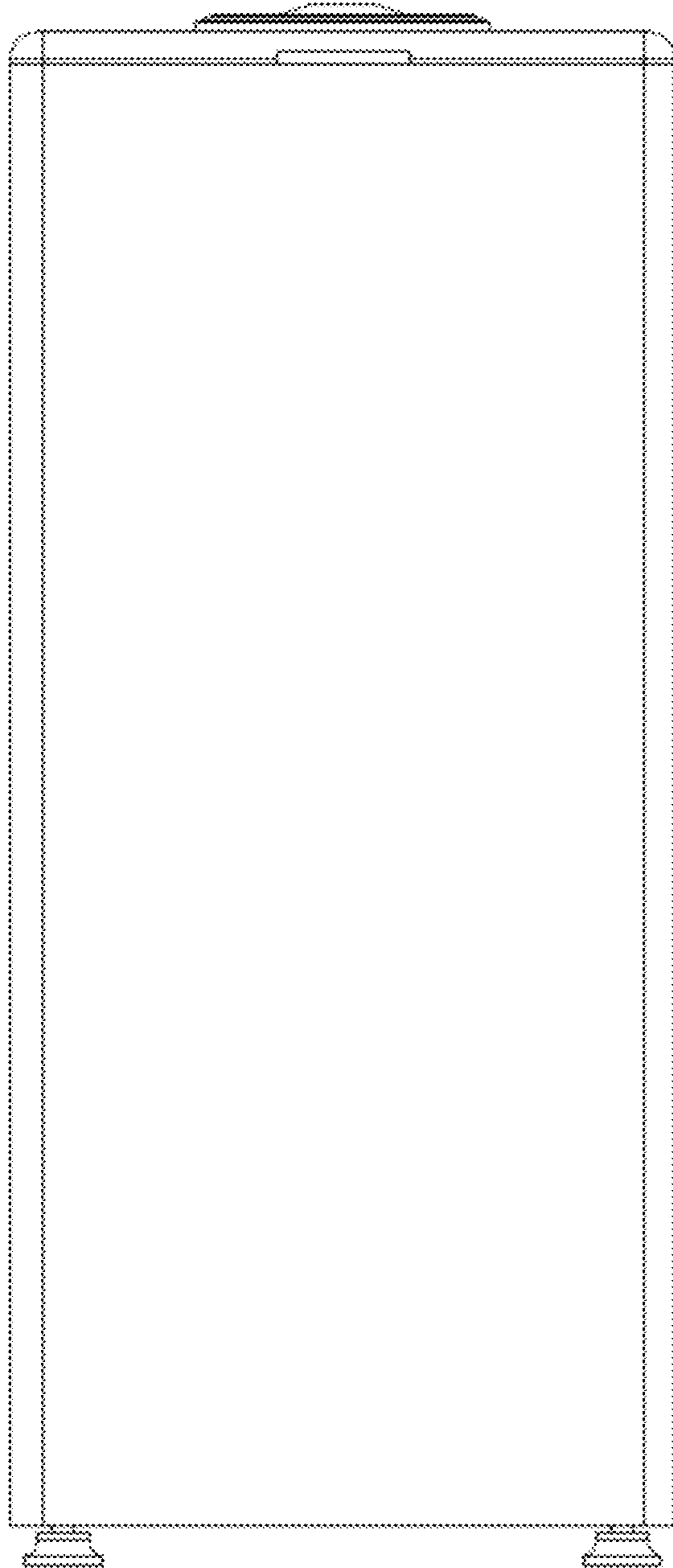


FIG. 5

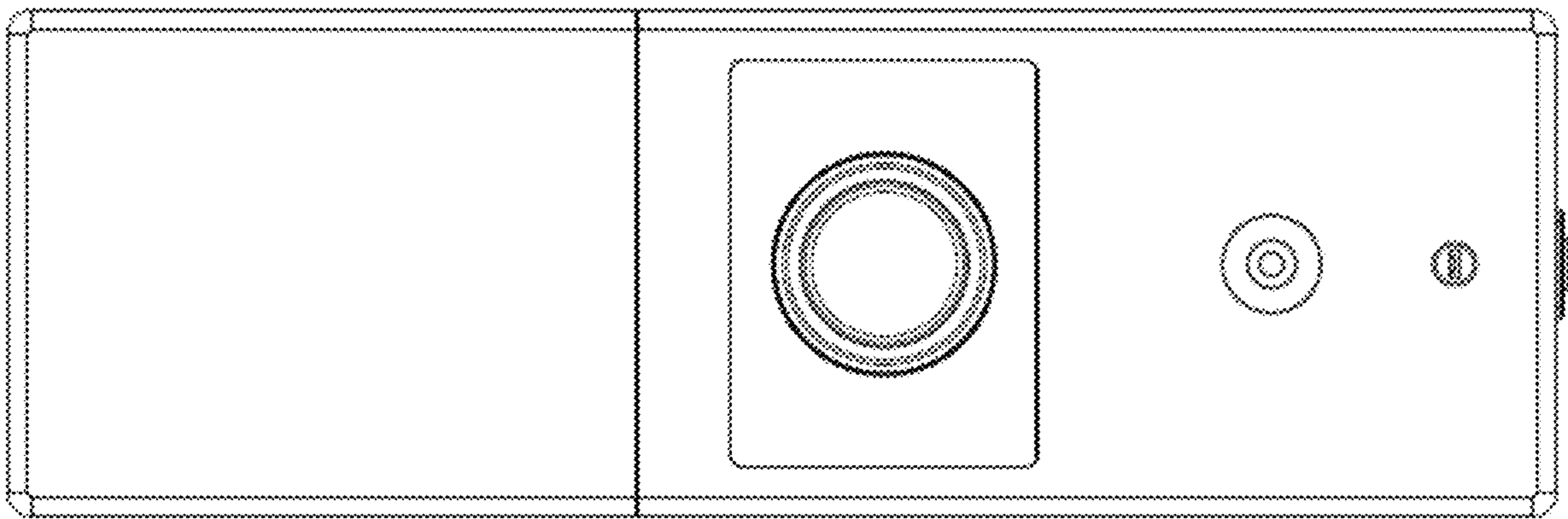


FIG. 6

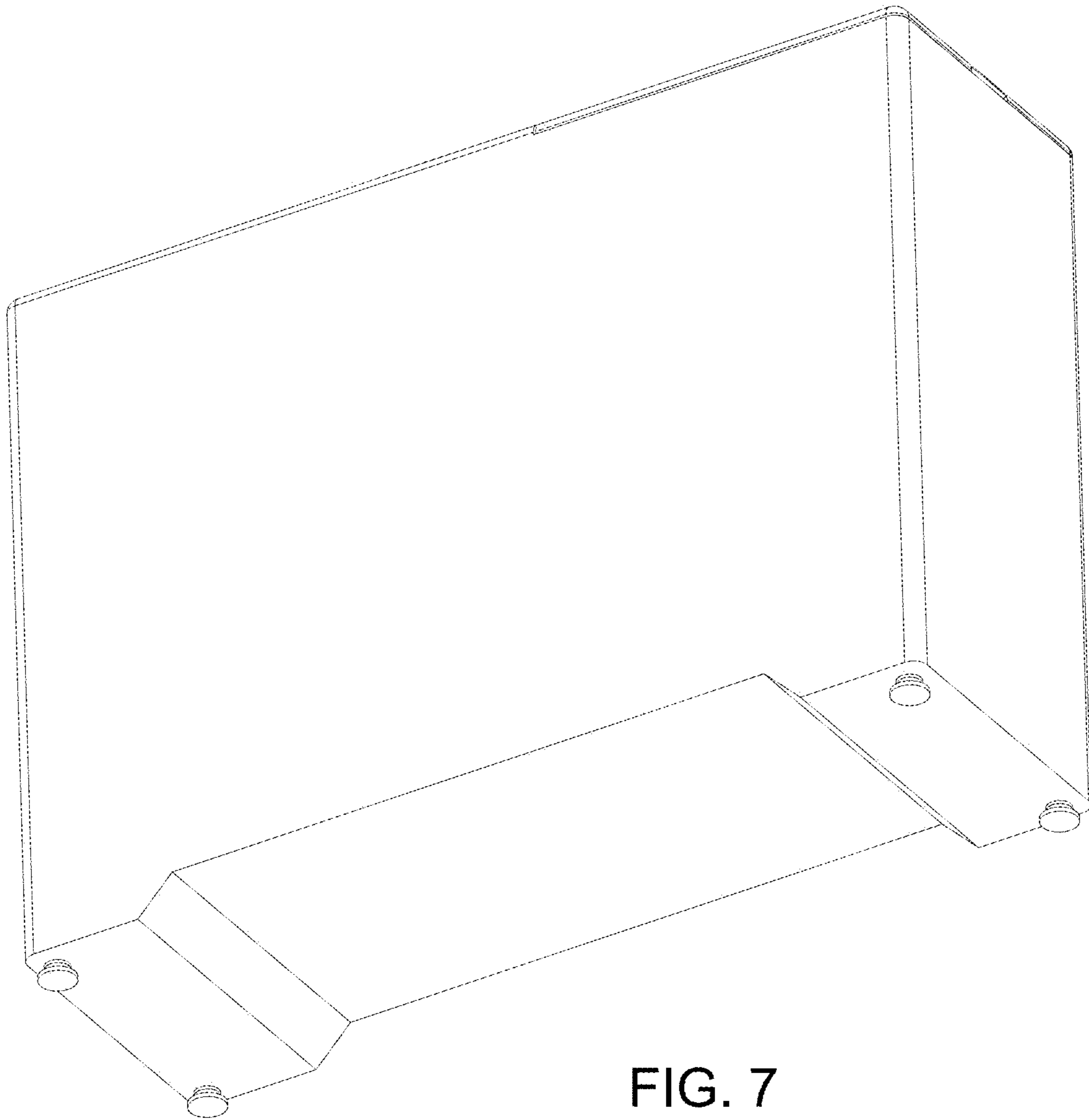


FIG. 7

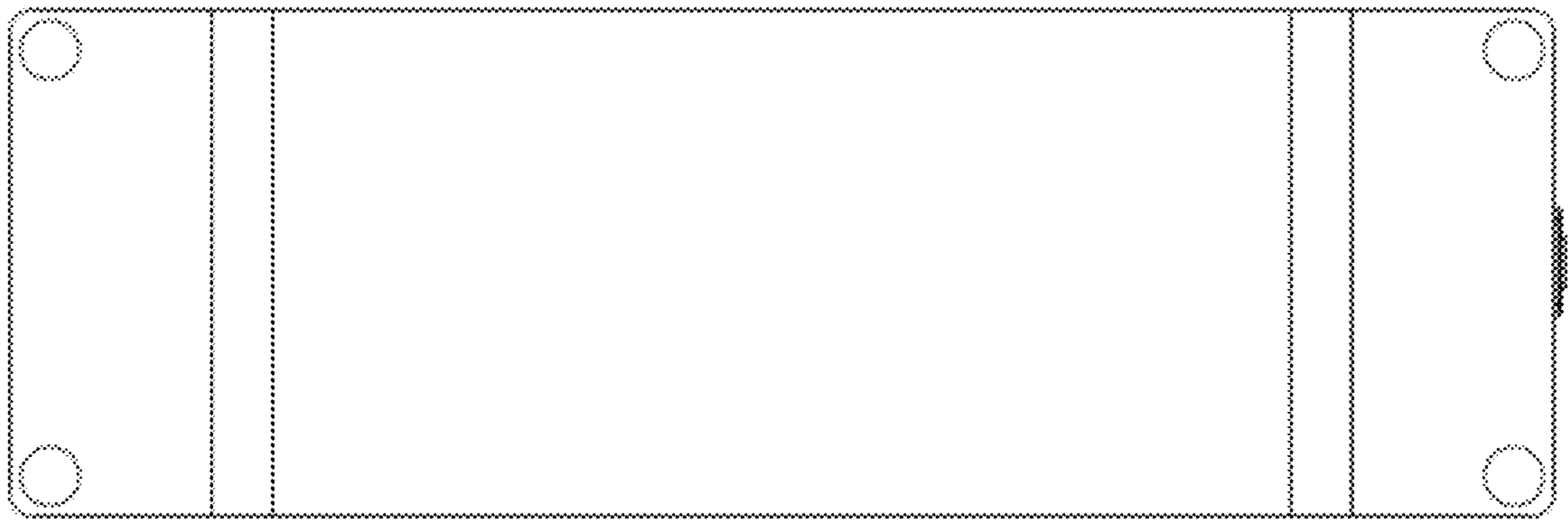


FIG. 8