



US00D889888S

(12) **United States Design Patent**
Myerson

(10) **Patent No.:** **US D889,888 S**

(45) **Date of Patent:** **** Jul. 14, 2020**

(54) **MERCHANDISING HANGER**

(71) Applicant: **Maurice Myerson**, Atlanta, GA (US)

(72) Inventor: **Maurice Myerson**, Atlanta, GA (US)

(**) Term: **15 Years**

(21) Appl. No.: **29/645,612**

(22) Filed: **Apr. 27, 2018**

(51) **LOC (12) Cl.** **06-06**

(52) **U.S. Cl.**
USPC **D6/682.2**

(58) **Field of Classification Search**
USPC D6/513-514, 552-553, 567, 329, 682,
D6/682.1, 682.2, 682.3, 682.4
CPC A47F 5/0006; A47F 2005/0012; A47F
5/0018; A47F 5/00; F16M 13/00; F16M
13/02; F16B 2001/0035
See application file for complete search history.

(56) **References Cited**

U.S. PATENT DOCUMENTS

D221,192 S *	7/1971	Dogliotti	D6/682.4
D257,709 S *	12/1980	Lewis	D6/570
D297,412 S *	8/1988	Allen	D6/553
D309,252 S *	7/1990	Crowley	D8/373
D361,503 S *	8/1995	Hubbard	D8/354
D367,574 S *	3/1996	Werner	D6/514
5,697,506 A *	12/1997	Peickert	A47F 7/146 211/71.01
5,957,422 A *	9/1999	Shea	A47F 5/0807 211/87.01
6,006,929 A *	12/1999	Leonard	A47F 5/01 211/106
6,145,675 A *	11/2000	Kass	A47F 5/0006 211/71.01
6,286,690 B1 *	9/2001	Thalenfeld	A47F 5/0006 211/113
D464,510 S *	10/2002	Shea	D6/682.2
D486,021 S *	2/2004	Dion	D6/553

D519,939 S *	5/2006	Hedderich	D13/162
D546,601 S *	7/2007	Murphy	D6/514
D585,844 S *	2/2009	Bhate	D13/162
D587,699 S *	3/2009	Corti	D14/307
D615,896 S *	5/2010	Rusanen	D10/108
D620,457 S *	7/2010	Maurer	D13/164
D622,673 S *	8/2010	Maurer	D13/162
D626,518 S *	11/2010	Teixeira Pinto Dias	D13/171
D723,845 S *	3/2015	Valiulis	D6/682.4
D758,666 S *	6/2016	Carrillo	D28/73
D785,442 S *	5/2017	Tseng	D8/354
D839,352 S *	1/2019	Lim	D20/39
D846,320 S *	4/2019	Loy	D6/682
D856,718 S *	8/2019	Myerson	D6/682.2
D863,845 S *	10/2019	Santarelli	D6/682.2
D867,794 S *	11/2019	Nakamura	D6/675
2013/0015148 A1 *	1/2013	Valiulis	A47F 5/0006 211/59.2

* cited by examiner

Primary Examiner — Kelley A Donnelly

(74) *Attorney, Agent, or Firm* — Walter A. Rodgers

(57) **CLAIM**

The ornamental design for a merchandising hanger, as shown and described.

DESCRIPTION

FIG. 1 is a perspective view of a merchandising hanger, showing my new design;
FIG. 2 is a front elevation view thereof;
FIG. 3 is a rear elevation view thereof;
FIG. 4 is a left-side elevation view thereof, the right side being a mirror image thereof; and
FIG. 5 is a top plan view thereof, the bottom view the same in appearance; and,
FIG. 6 is a perspective view of a second embodiment of FIG. 1, the only difference being the slots, it being understood that all other surfaces are the same as those of the first embodiment.

1 Claim, 4 Drawing Sheets

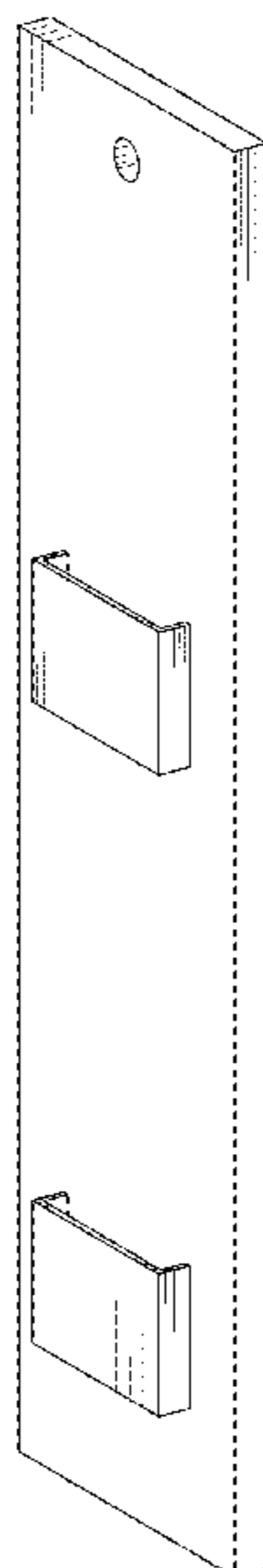


Fig 1

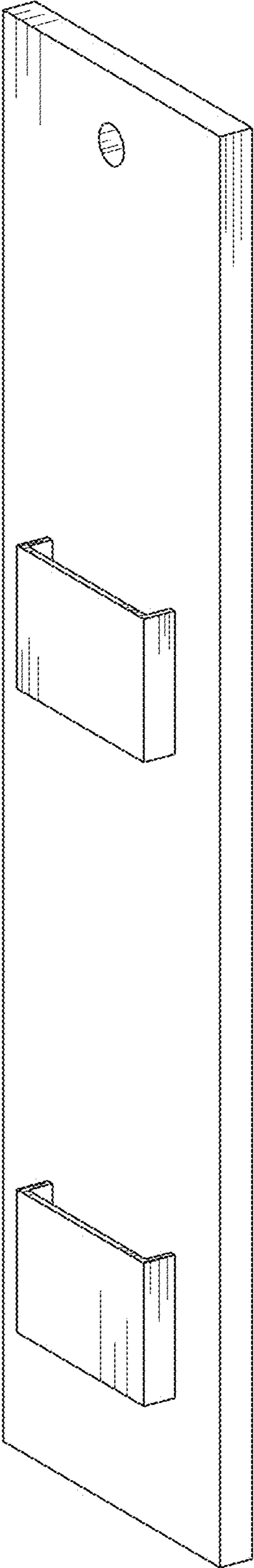


Fig 2

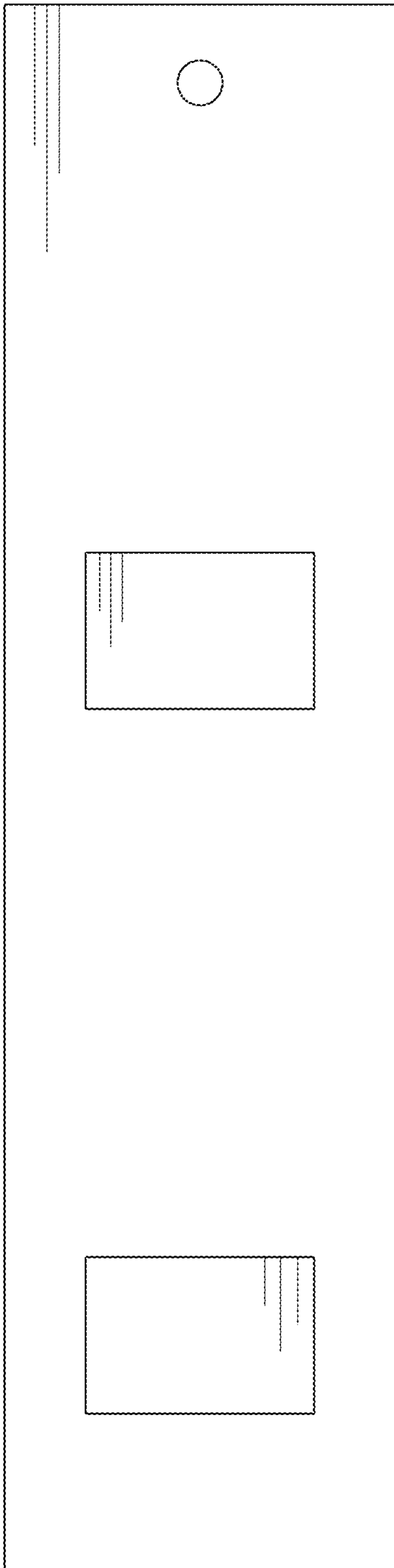


Fig 3

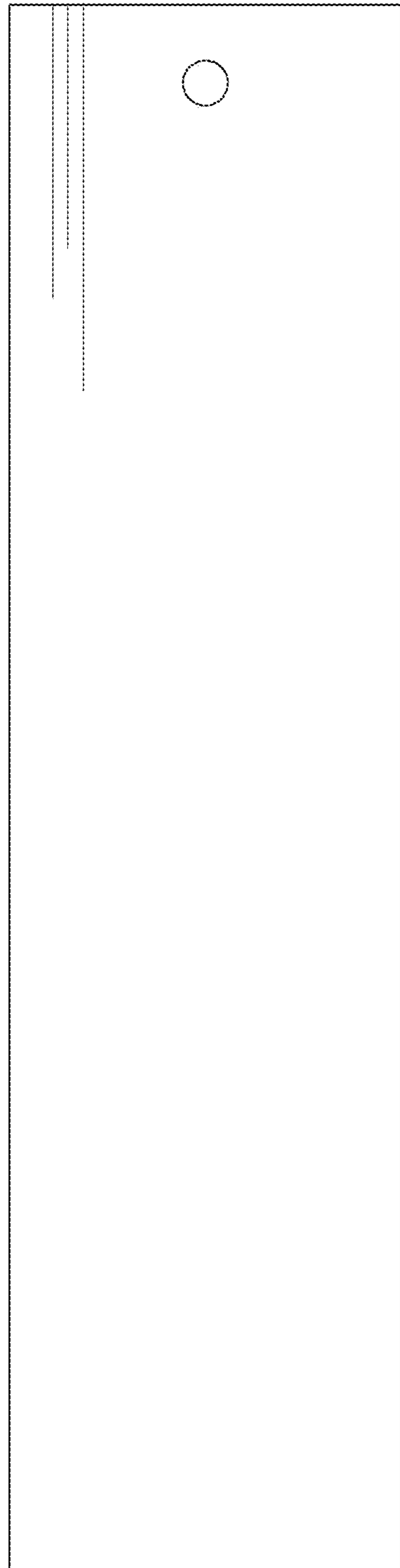


Fig 4



Fig 5



Fig 6

