



US00D889887S

(12) **United States Design Patent**
DeJesus et al.

(10) **Patent No.:** **US D889,887 S**
(45) **Date of Patent:** **** Jul. 14, 2020**

(54) **RETAIL FIXTURE**
(71) Applicant: **Apple Inc.**, Cupertino, CA (US)
(72) Inventors: **Manuel DeJesus**, San Francisco, CA (US); **Joshua Robert Edwards**, Santa Cruz, CA (US); **Jean-Marc Gady**, Los Altos, CA (US); **Wesley Bryan Hamm**, San Francisco, CA (US); **Russell John Kaaihue Heirakuji**, Cupertino, CA (US); **Allison Inouye**, San Francisco, CA (US); **Moritz Wilsberg**, Menlo Park, CA (US)

D530,548 S 10/2006 McCurry
D539,569 S 4/2007 Lewis
D582,169 S 12/2008 Skalka
D583,577 S 12/2008 Wicha
D591,090 S 4/2009 Judkins
D599,570 S 9/2009 Skalka
D611,735 S 3/2010 Stukenberg
D611,736 S 3/2010 Navone

(Continued)

(73) Assignee: **Apple Inc.**, Cupertino, CA (US)

(**) Term: **15 Years**

(21) Appl. No.: **29/655,967**

(22) Filed: **Jul. 9, 2018**

(51) **LOC (12) Cl.** **06-06**

(52) **U.S. Cl.**
USPC **D6/675**

(58) **Field of Classification Search**
USPC D6/672, 675, 675.1, 678, 678.1, 682, D6/682.3, 682.4, 683, 683.1
CPC A47B 73/00; A47B 73/002; A47B 47/00; A47B 47/008; A47B 47/25; A47F 5/00; A47F 5/0062

See application file for complete search history.

(56) **References Cited**

U.S. PATENT DOCUMENTS

D248,345 S 7/1978 Stoddard
D300,966 S 5/1989 Colby
D303,190 S 9/1989 Suttles
D406,964 S 3/1999 Lewis
D427,814 S 7/2000 Black
D427,815 S 7/2000 Lewis
D465,936 S 11/2002 Arnold
D466,337 S 12/2002 Feng

FOREIGN PATENT DOCUMENTS

KR 30-0703066 S 7/2013

Primary Examiner — Kelley A Donnelly

(74) *Attorney, Agent, or Firm* — Sterne, Kessler, Goldstein & Fox P.L.L.C.

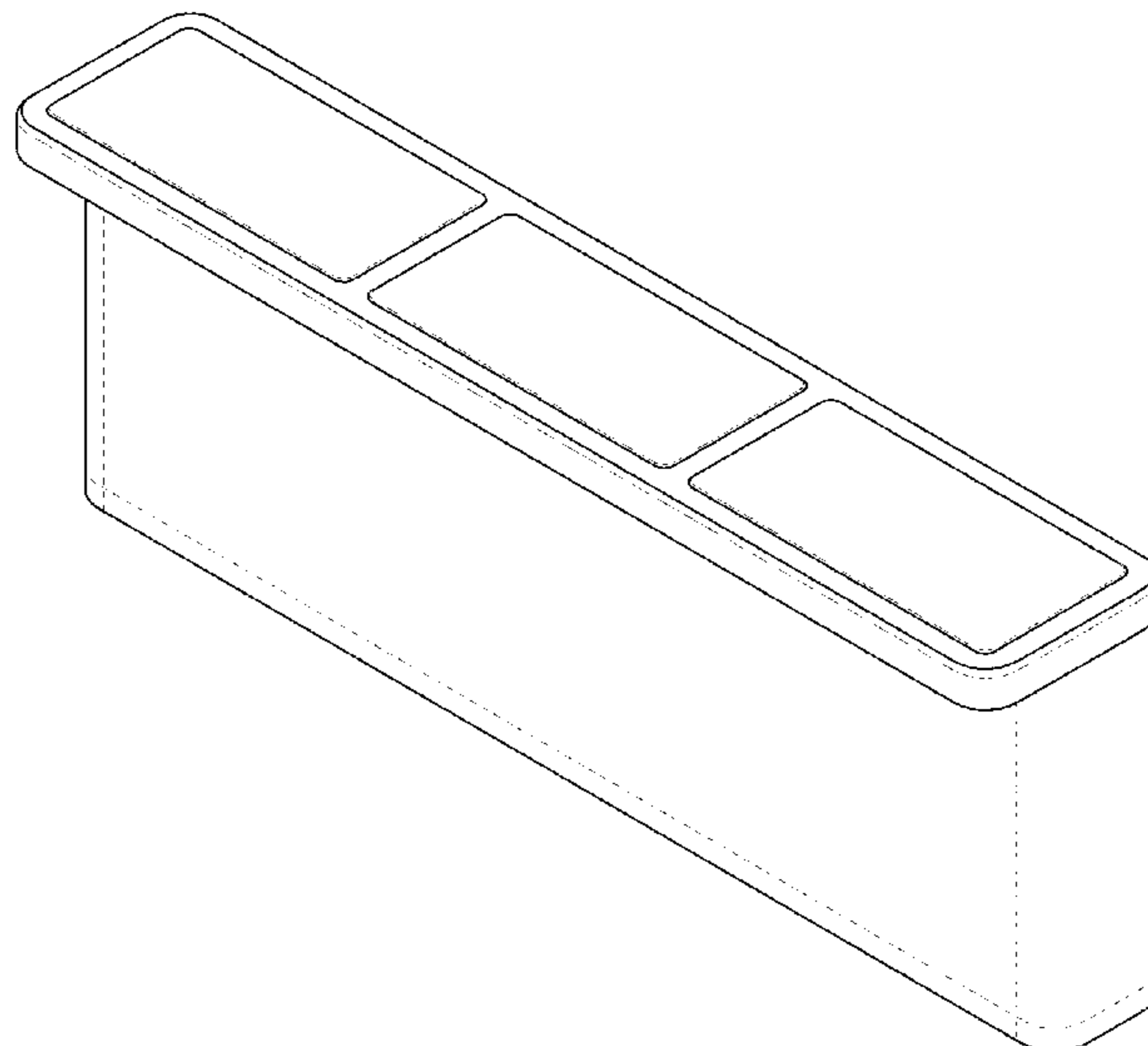
(57) **CLAIM**

The ornamental design for a retail fixture, as shown and described.

DESCRIPTION

FIG. 1 is a top front perspective view of a retail fixture showing the claimed design;
FIG. 2 is a front view thereof;
FIG. 3 is a rear view thereof;
FIG. 4 is a left side view thereof;
FIG. 5 is a right side view thereof;
FIG. 6 is a top view thereof;
FIG. 7 is a bottom view thereof;
FIG. 8 is a top front perspective view of another retail fixture showing the claimed design;
FIG. 9 is a front view thereof;
FIG. 10 is a rear view thereof;
FIG. 11 is a left side view thereof;
FIG. 12 is a right side view thereof;
FIG. 13 is a top view thereof; and,
FIG. 14 is a bottom view thereof.
The dashed broken lines in the figures show portions of the retail fixture that form no part of the claimed design.

1 Claim, 14 Drawing Sheets



(56)

References Cited

U.S. PATENT DOCUMENTS

D651,651 S	1/2012	Beukema et al.	D729,560 S	5/2015	Hamm et al.
D657,978 S	4/2012	Hamm et al.	D730,071 S	5/2015	Sorel
D659,415 S	5/2012	Soto et al.	D734,631 S	7/2015	Velez
D661,935 S *	6/2012	Kozak D6/566	D741,616 S	10/2015	Sneve et al.
D672,594 S *	12/2012	Kozak D6/560	D750,921 S *	3/2016	Kozak D6/675.2
D678,696 S	3/2013	Hamm et al.	D753,419 S	4/2016	Heirakuji et al.
D679,521 S	4/2013	Hamm et al.	D758,106 S	6/2016	Hamm et al.
D686,438 S	7/2013	Denby et al.	D763,016 S	8/2016	Clark et al.
D688,494 S	8/2013	Hamm et al.	D766,630 S	9/2016	Akana et al.
D693,156 S	11/2013	Hamm et al.	D766,631 S	9/2016	Akana et al.
D693,610 S	11/2013	Denby et al.	D767,310 S	9/2016	Akana et al.
D694,557 S	12/2013	Rodgers	D769,021 S	10/2016	Green et al.
D694,558 S	12/2013	Denby et al.	D769,654 S	10/2016	Akana et al.
D705,556 S	5/2014	Udagawa	D776,471 S	1/2017	Mandon et al.
D713,190 S	9/2014	Behar	D783,324 S	4/2017	Akana et al.
D713,658 S	9/2014	Smeds et al.	D788,506 S	6/2017	Choi
D717,554 S	11/2014	Kapka	D795,613 S	8/2017	Hamm et al.
D727,644 S	4/2015	Sorel	D796,234 S	9/2017	Thaler et al.
D728,281 S	5/2015	Heirakuji et al.	D810,476 S	2/2018	Heirakuji et al.
			D821,116 S	6/2018	Hamm et al.
			D877,548 S *	3/2020	Brugger D6/675

* cited by examiner

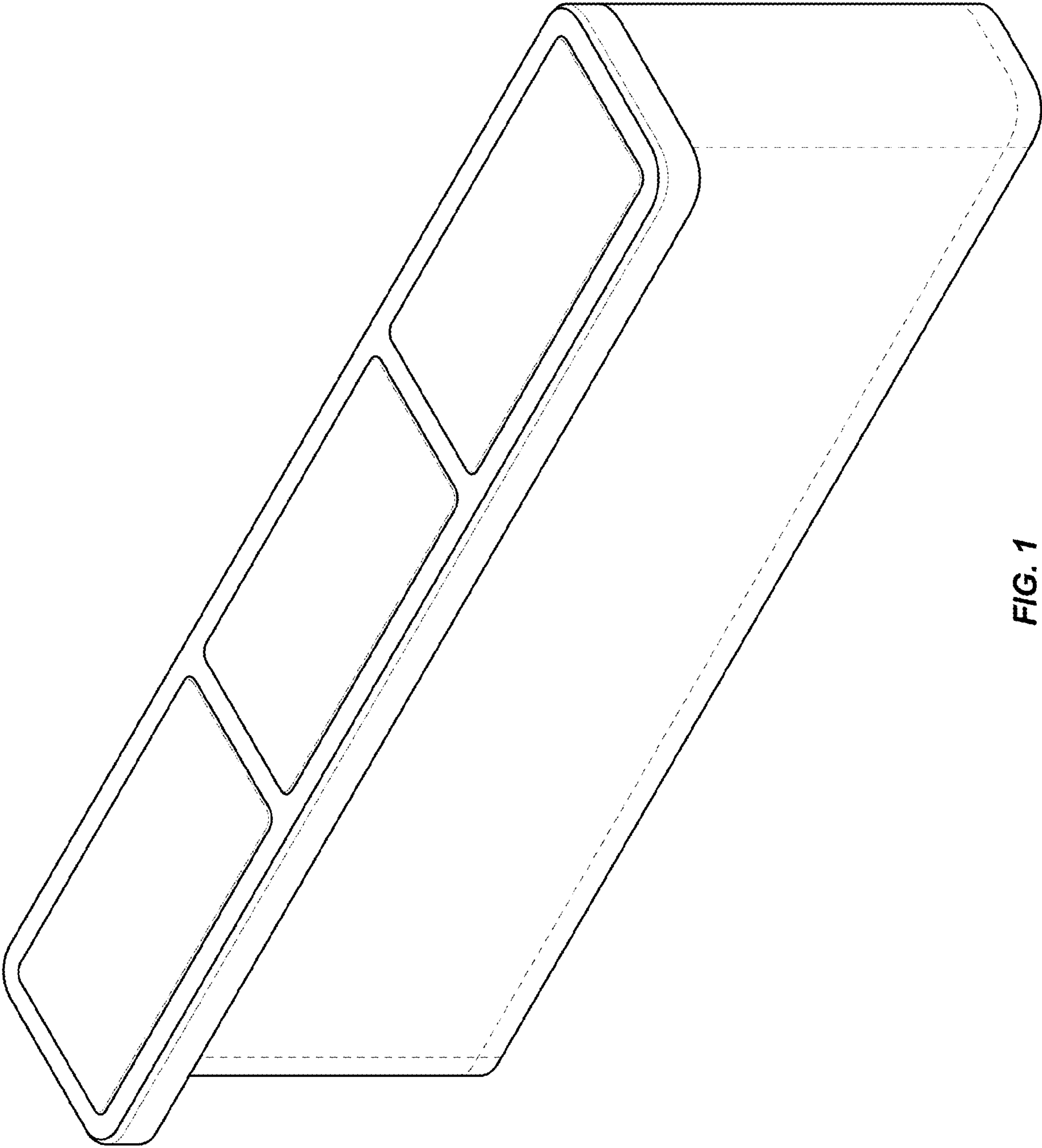


FIG. 1

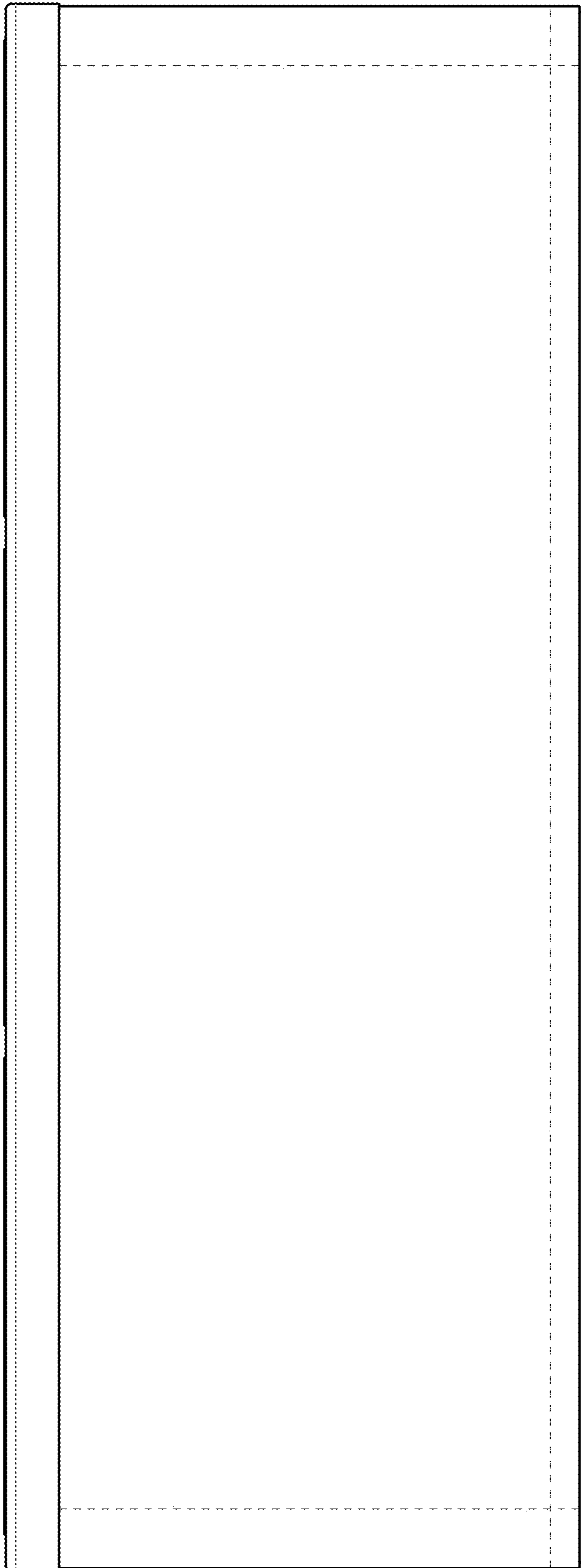


FIG. 2

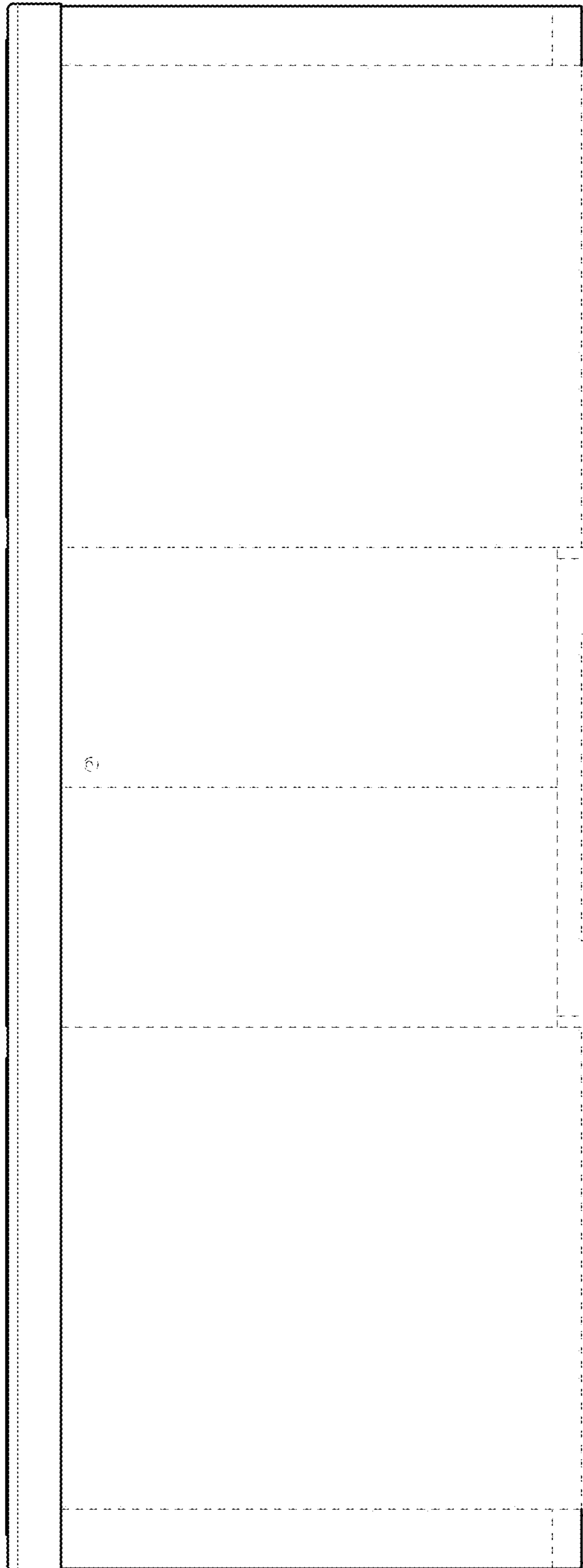


FIG. 3

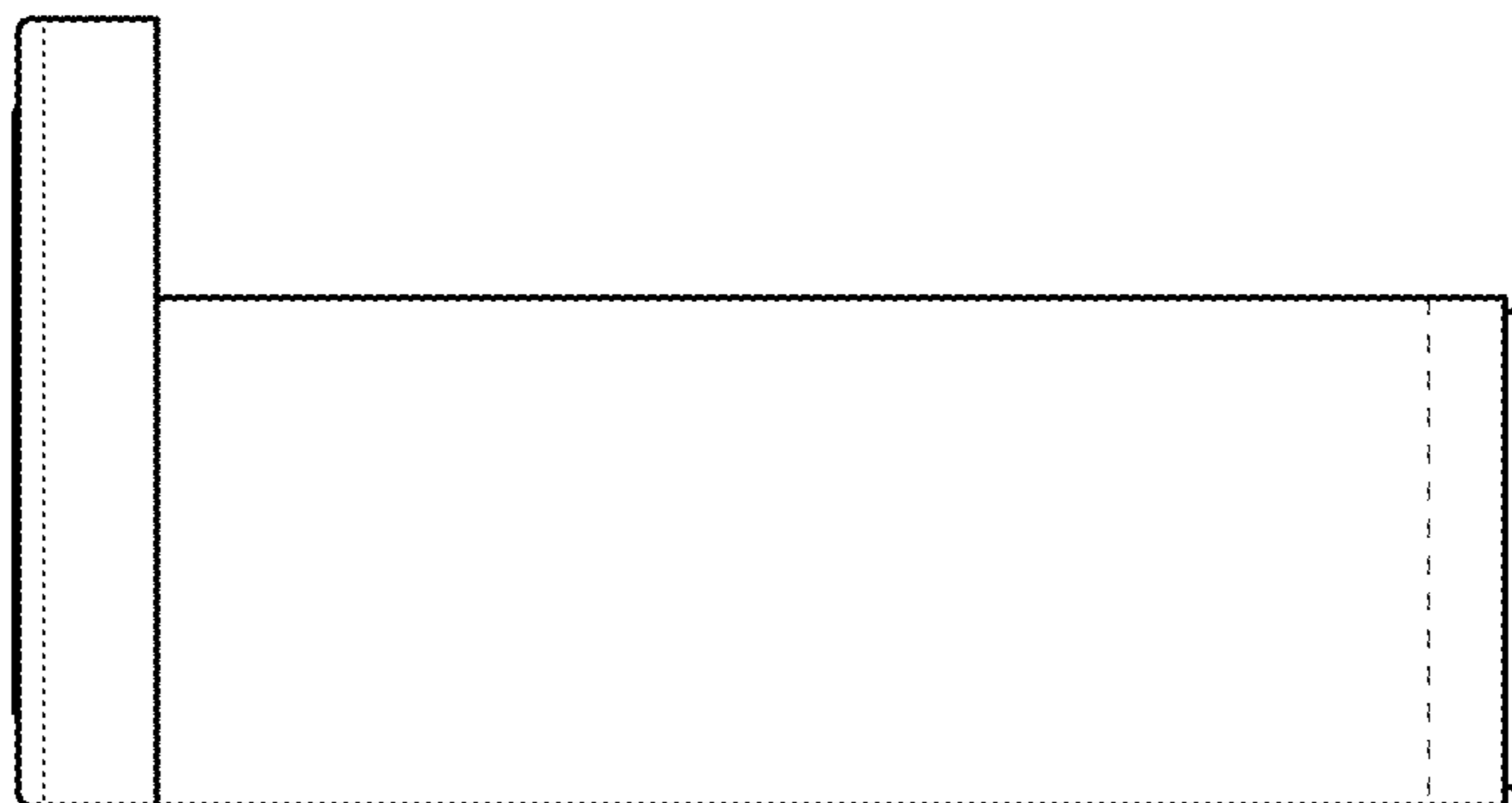


FIG. 4

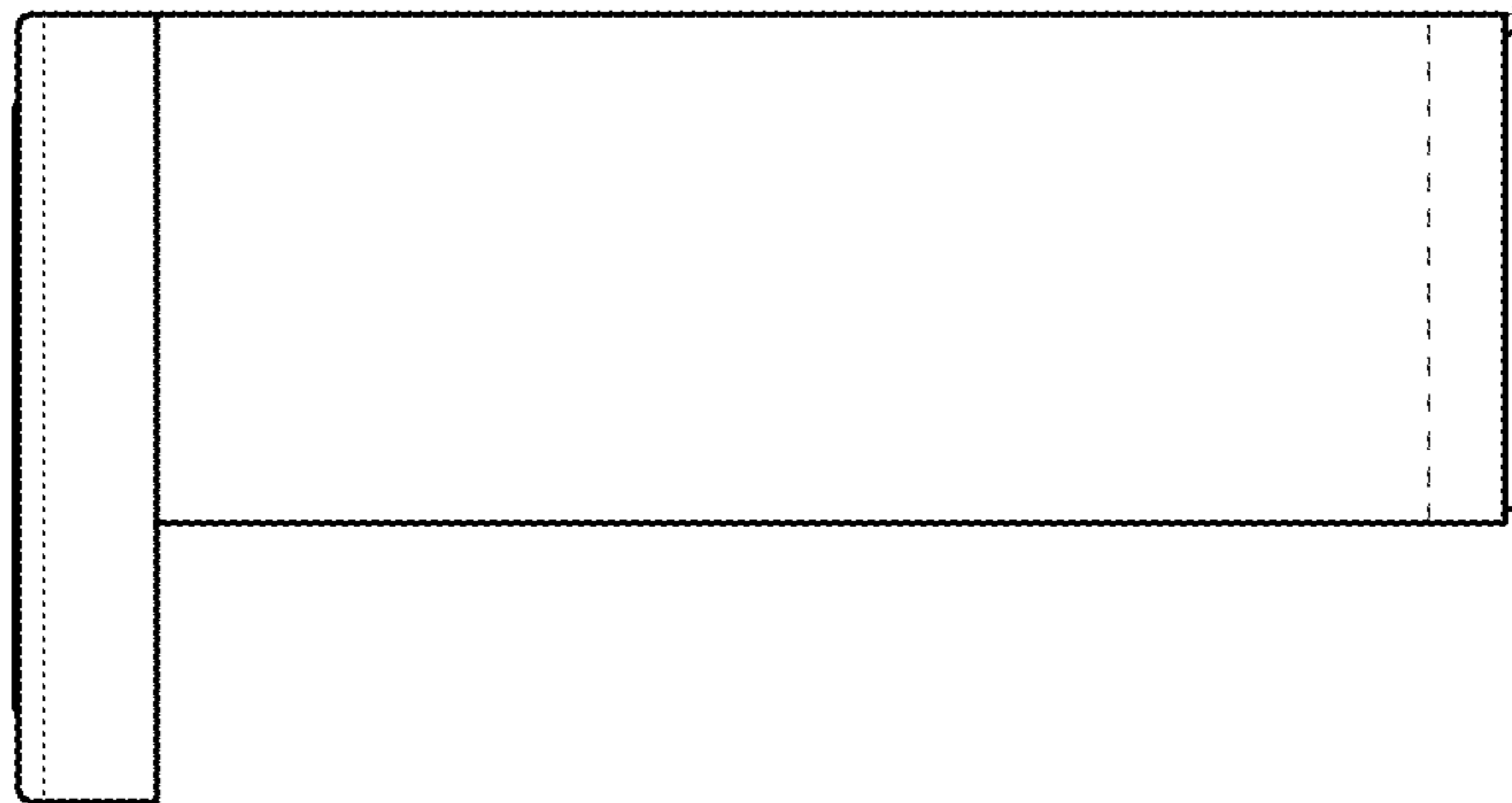


FIG. 5

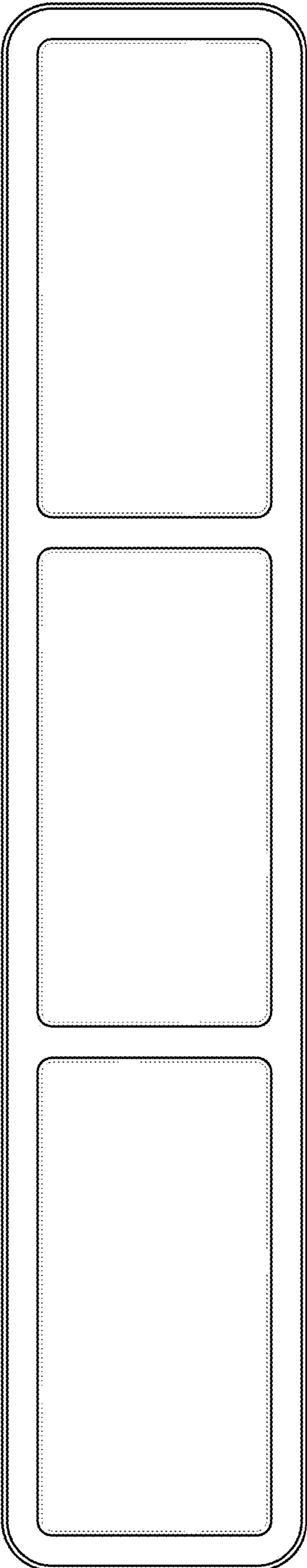


FIG. 6

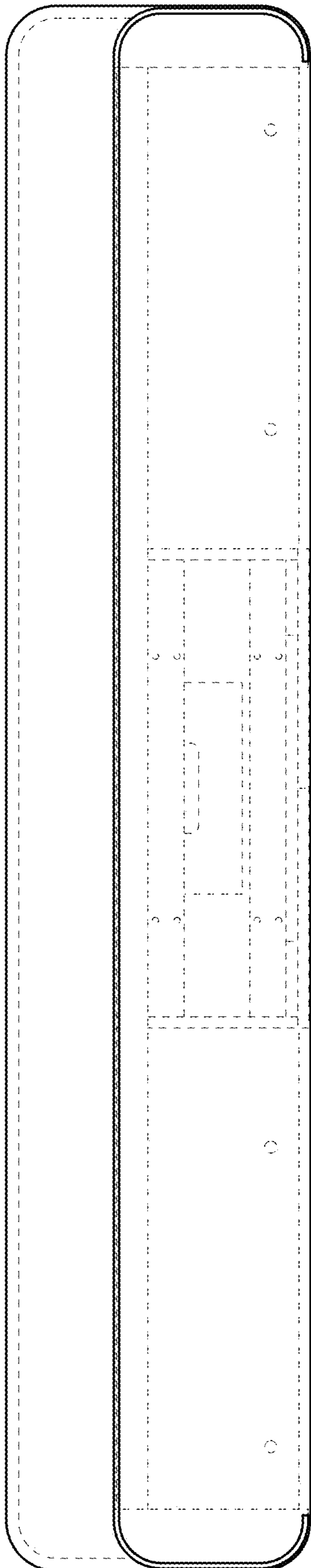


FIG. 7

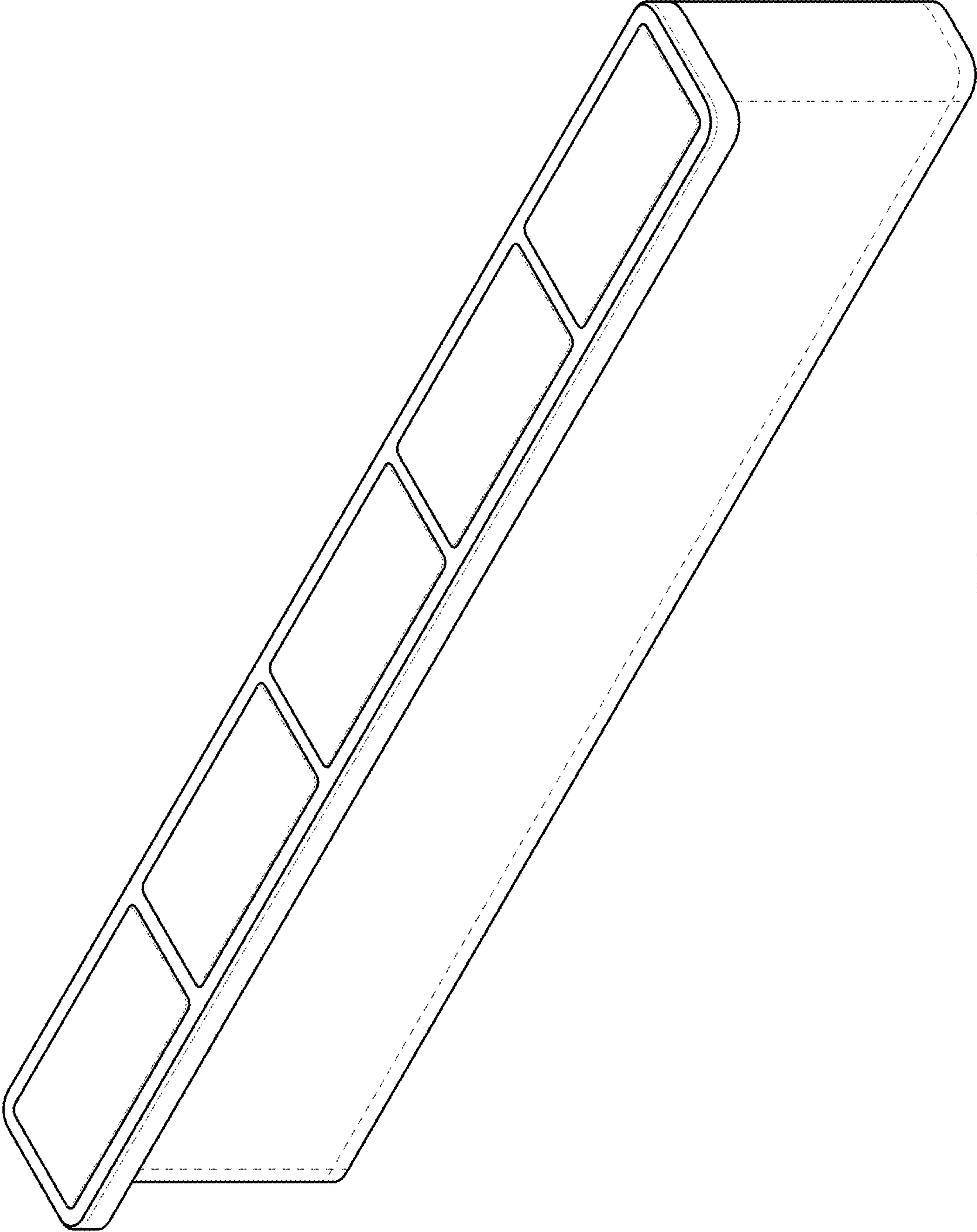


FIG. 8

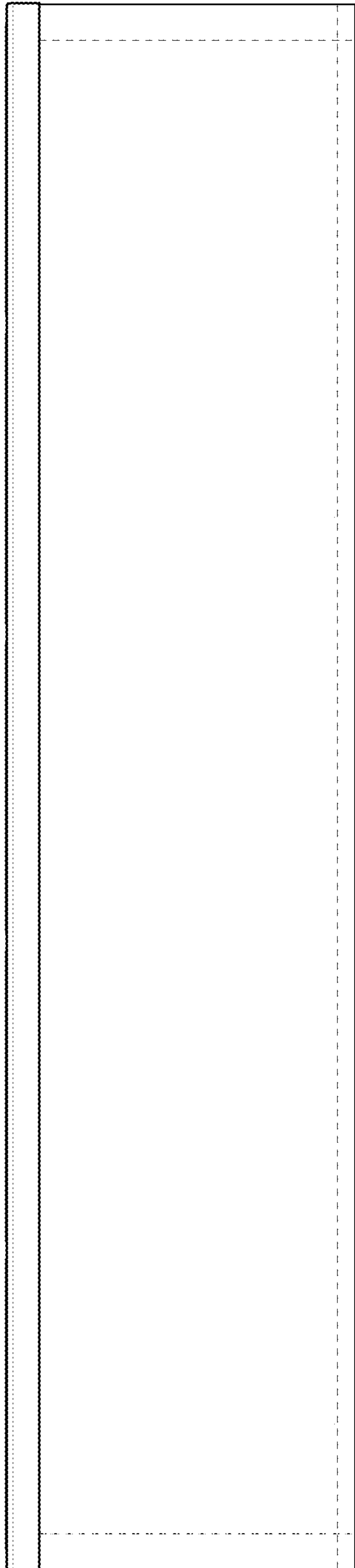


FIG. 9

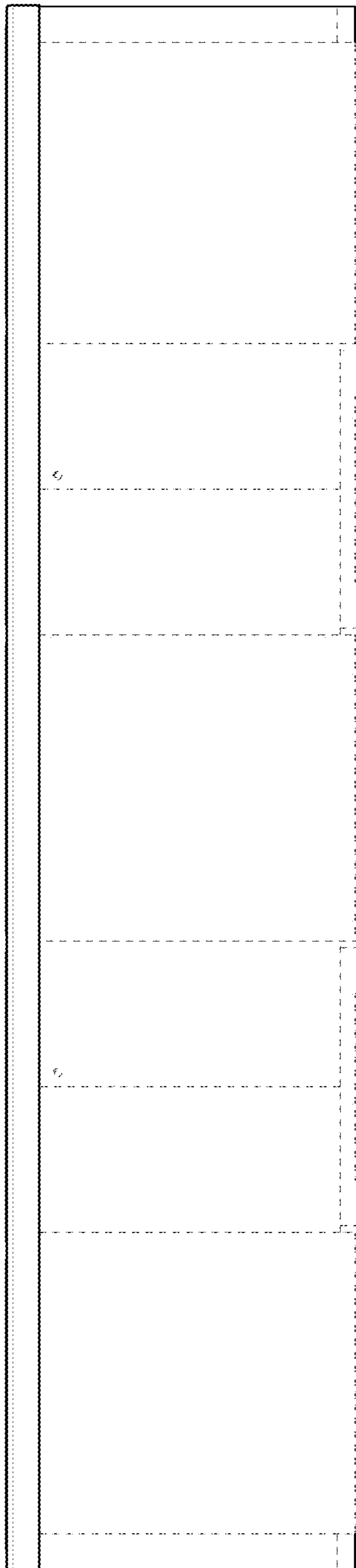


FIG. 10

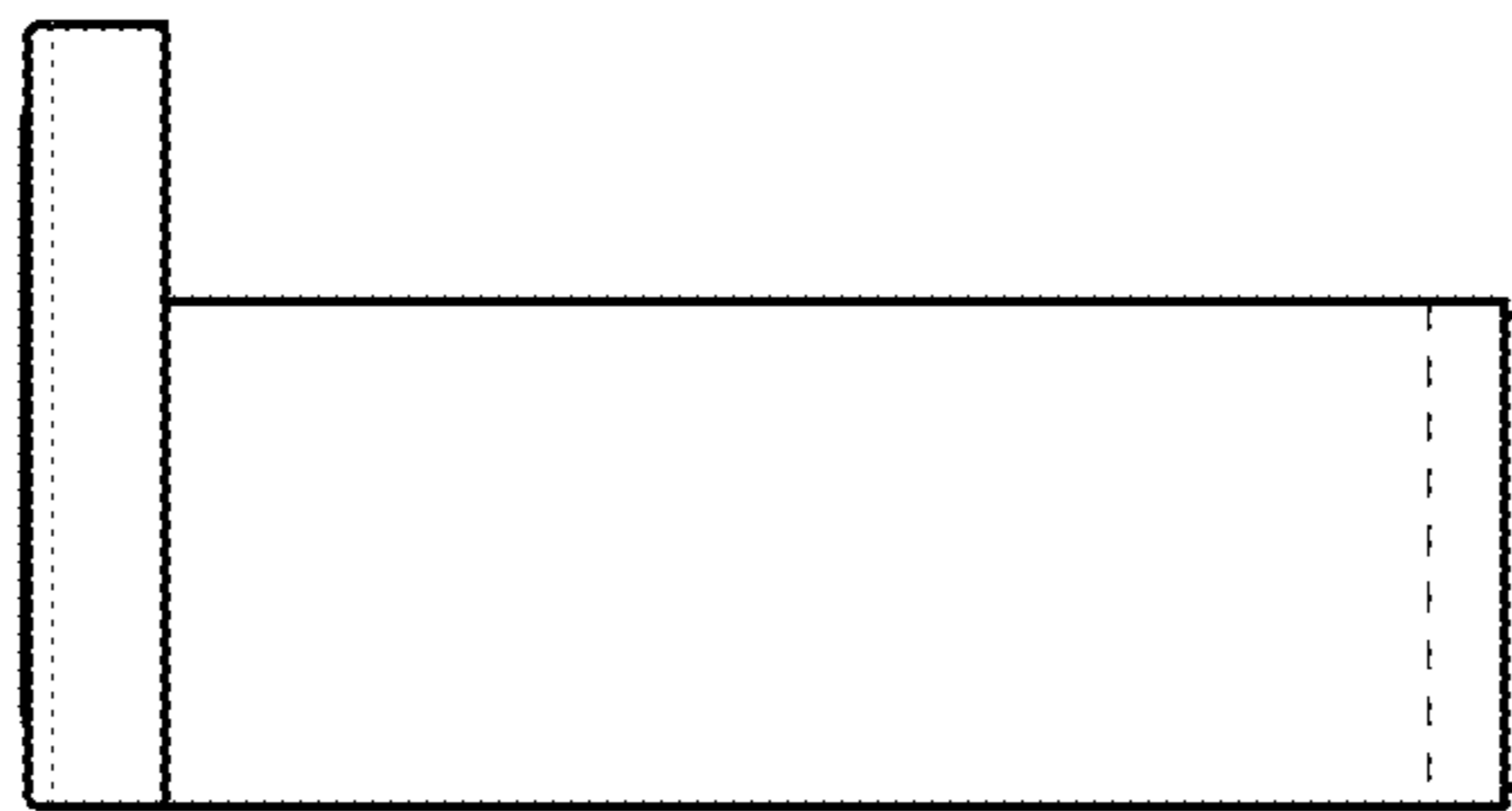


FIG. 11



FIG. 12

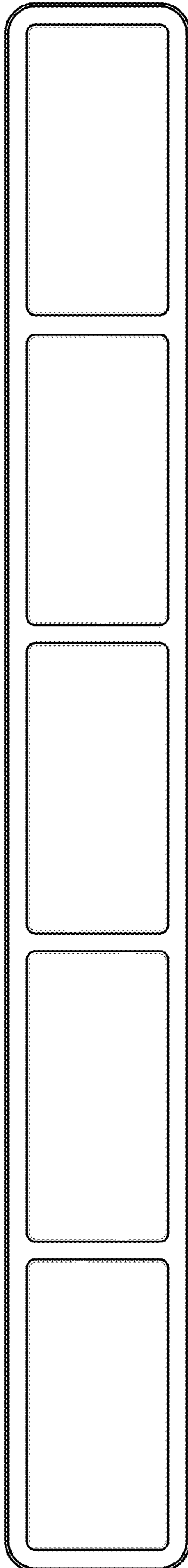


FIG. 13

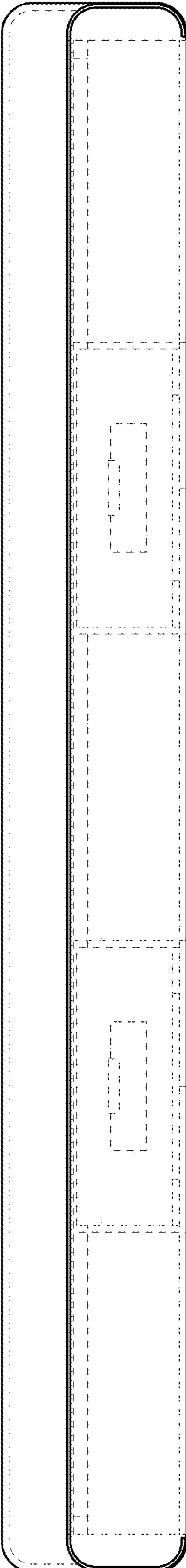


FIG. 14