



US00D889885S

(12) **United States Design Patent**
Johnson et al.

(10) **Patent No.:** **US D889,885 S**
(45) **Date of Patent:** **** Jul. 14, 2020**

(54) **HEIGHT-ADJUSTABLE DESK**
(71) Applicant: **Steelcase Inc.**, Grand Rapids, MI (US)
(72) Inventors: **Brandon Johnson**, Byron Center, MI (US); **Penghao Shan**, Munich (DE); **John M. Allen**, Grand Rapids, MI (US); **Justin G. Beitzel**, Grand Rapids, MI (US); **Alban Moriniere**, Munich (DE); **William Bennie**, Rockford, MI (US)

1,006,427 A 10/1911 Boraks
D296,738 S 7/1988 Hubert
D335,889 S 5/1993 Gibran
5,934,203 A * 8/1999 Glass A47B 13/003
108/156
D423,832 S * 5/2000 Kane D6/709.21
D426,988 S 6/2000 Desombre
D441,224 S 5/2001 Scheper et al.
D508,938 S 8/2005 Murray et al.
D513,892 S * 1/2006 Glass D6/338

(Continued)

(73) Assignee: **Steelcase Inc.**, Grand Rapids, MI (US)

(**) Term: **15 Years**

(21) Appl. No.: **29/662,256**

(22) Filed: **Sep. 4, 2018**

(51) **LOC (12) Cl.** **06-03**

(52) **U.S. Cl.**
USPC **D6/656.13**

(58) **Field of Classification Search**
USPC D6/353, 368, 642, 644, 649, 651, 655,
D6/655.1, 655.11, 655.12, 655.13, 655.14,
D6/655.15, 655.16, 655.17, 655.18, 655.2,
D6/655.21, 656, 656.11, 656.13, 656.15,
D6/656.16, 656.17, 656.19, 657, 663,
D6/686, 691, 709
CPC A47B 81/00; A47B 88/00; A47B 88/41;
A47B 88/42; A47B 2210/16; B62B 3/00;
B62B 33/00

See application file for complete search history.

(56) **References Cited**

U.S. PATENT DOCUMENTS

925,853 A 6/1909 Tompkins
983,903 A * 2/1911 Horton A47B 3/12
108/154
1,001,900 A 8/1911 Stark, Jr.

OTHER PUBLICATIONS

Steelcase Flex, posted at Steelcase.com, posted on Jul. 23, 2019, site visited Dec. 18, 2019. online, available from internet: <https://web.archive.org/web/20190723120148/https://www.steelcase.com/products/height-adjustable-desks/> (Year: 2019).*

Primary Examiner — Mary Ann Calabrese

Assistant Examiner — Catherine Ho

(74) *Attorney, Agent, or Firm* — Brinks Gilson & Lione

(57) **CLAIM**

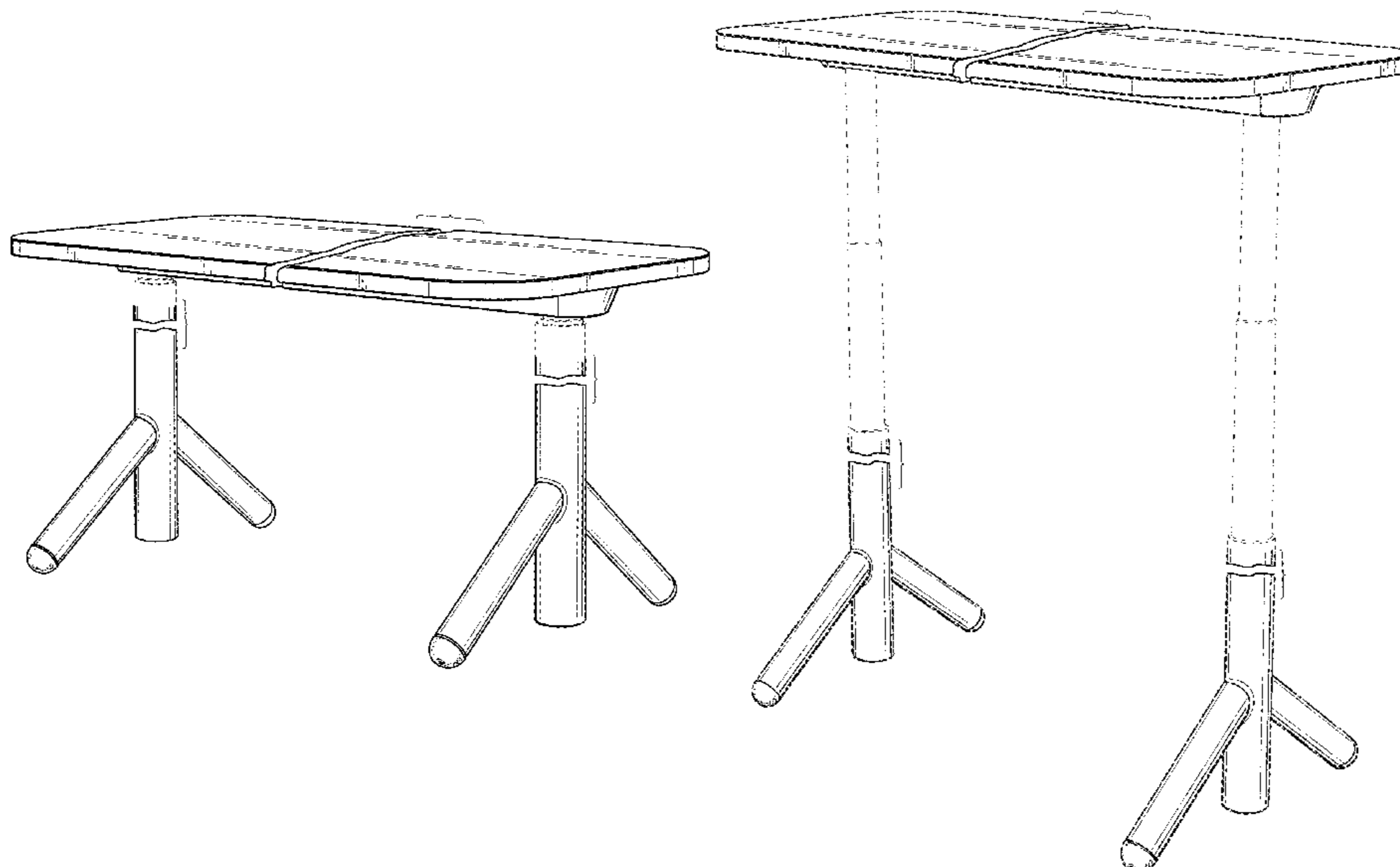
We claim the ornamental design for a height-adjustable desk, as shown and described.

DESCRIPTION

FIG. 1 is a top perspective view of a height-adjustable desk; FIG. 2 is a top plan view thereof; FIG. 3 is a bottom plan view thereof; FIG. 4 is a front elevation view thereof; FIG. 5 is a rear elevation view thereof; FIG. 6 is a left side elevation view thereof; FIG. 7 is a right side elevation view thereof; and, FIG. 8 is a top perspective view thereof with the desktop raised.

The article is shown with symbolic break lines on its top and legs, where the appearance of any portion of the article between the break lines forms no part of the claimed design.

1 Claim, 5 Drawing Sheets



(56)

References Cited

U.S. PATENT DOCUMENTS

D552,660 S 10/2007 Lee
D575,968 S * 9/2008 Saffell D6/709.21
7,810,654 B1 * 10/2010 Wang A47G 25/06
211/106.01
D696,883 S 1/2014 Krusin
8,667,908 B2 * 3/2014 Martin A47B 13/003
108/153.1
D716,592 S 11/2014 Belitz
D723,311 S 3/2015 Jiang et al.
D760,521 S 7/2016 Galiotto
D768,419 S 10/2016 Galiotto
D772,620 S 11/2016 Dahlstrom et al.
D808,204 S * 1/2018 Davis D6/691
D809,839 S * 2/2018 Menayan D6/691.6
9,901,168 B2 * 2/2018 Menayan A47B 21/06
D843,148 S * 3/2019 Menayan D6/691.6
2010/0126394 A1 * 5/2010 Burak A47B 83/001
108/186
2016/0150877 A1 * 6/2016 Wei Siao A47B 9/20
248/188.5

* cited by examiner

FIG. 1

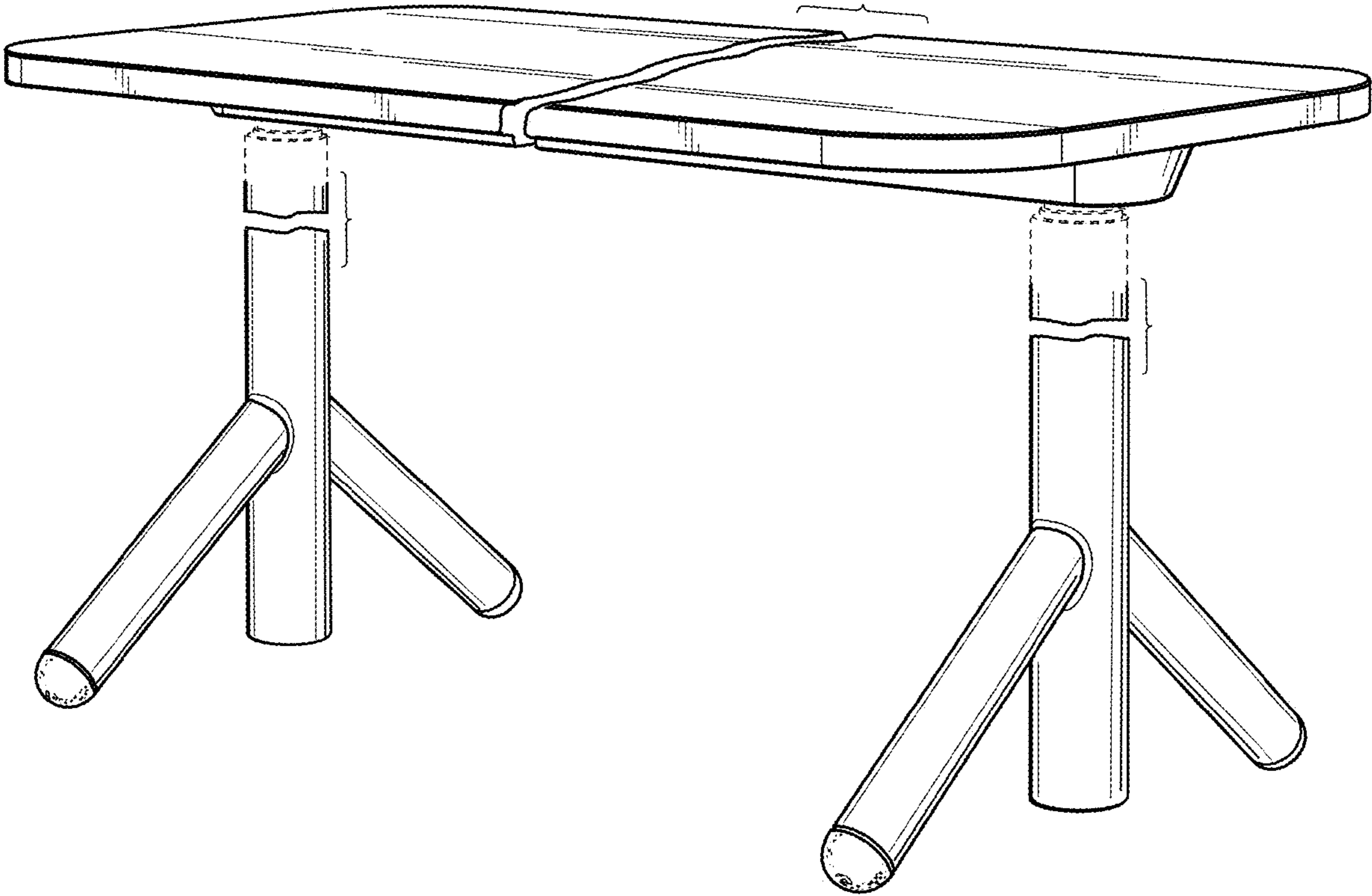


FIG. 2

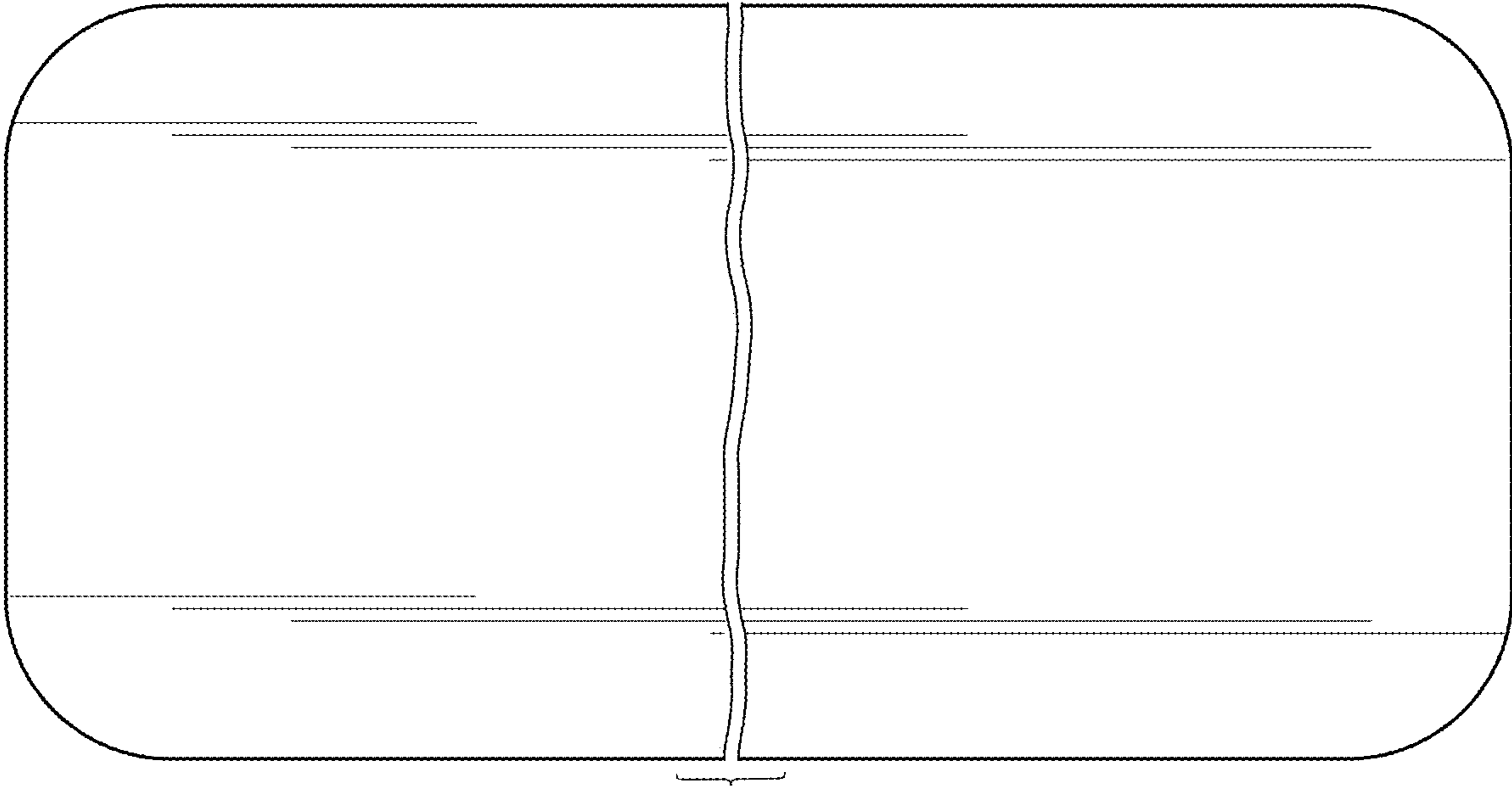


FIG. 3

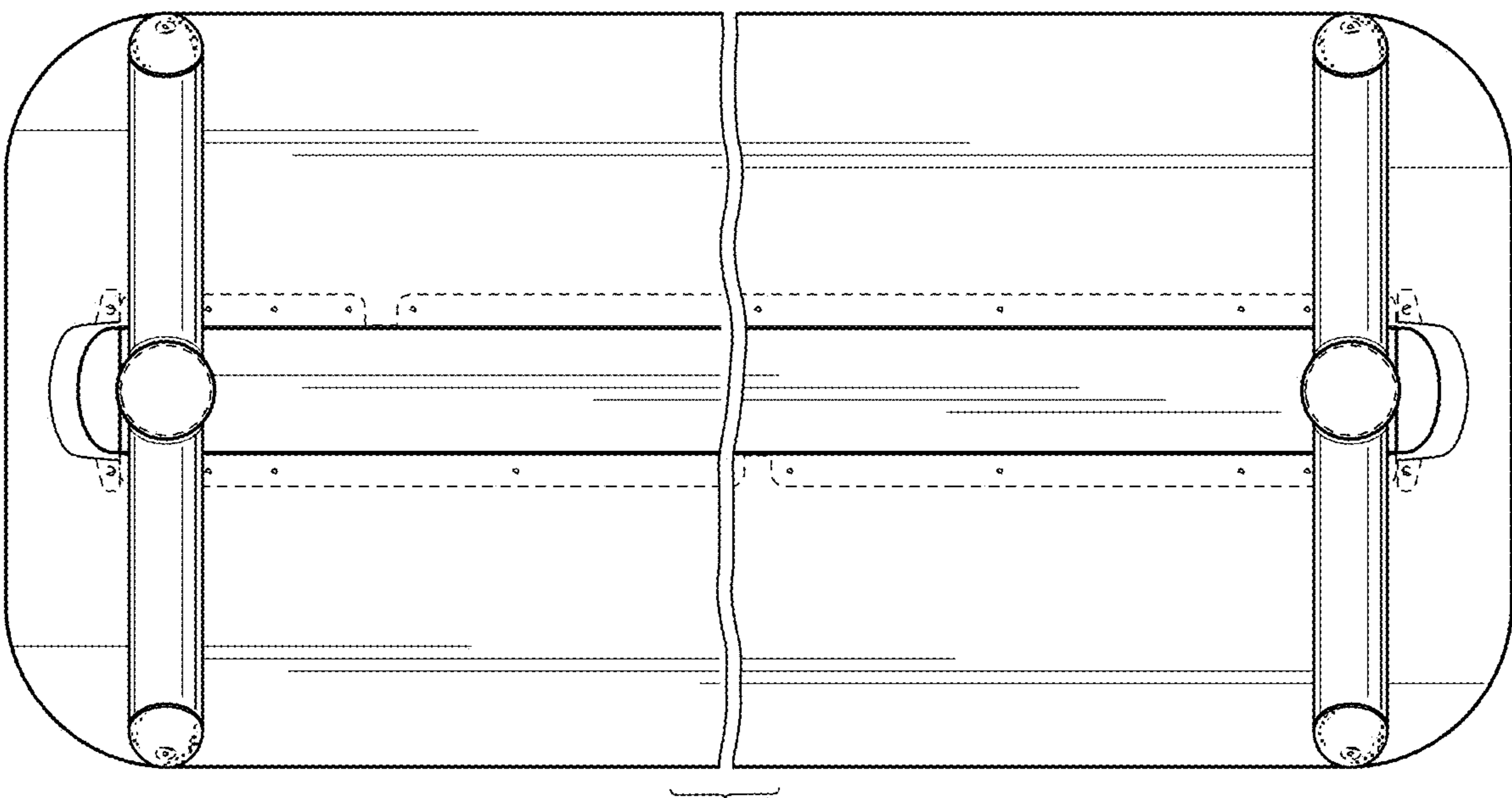


FIG. 4

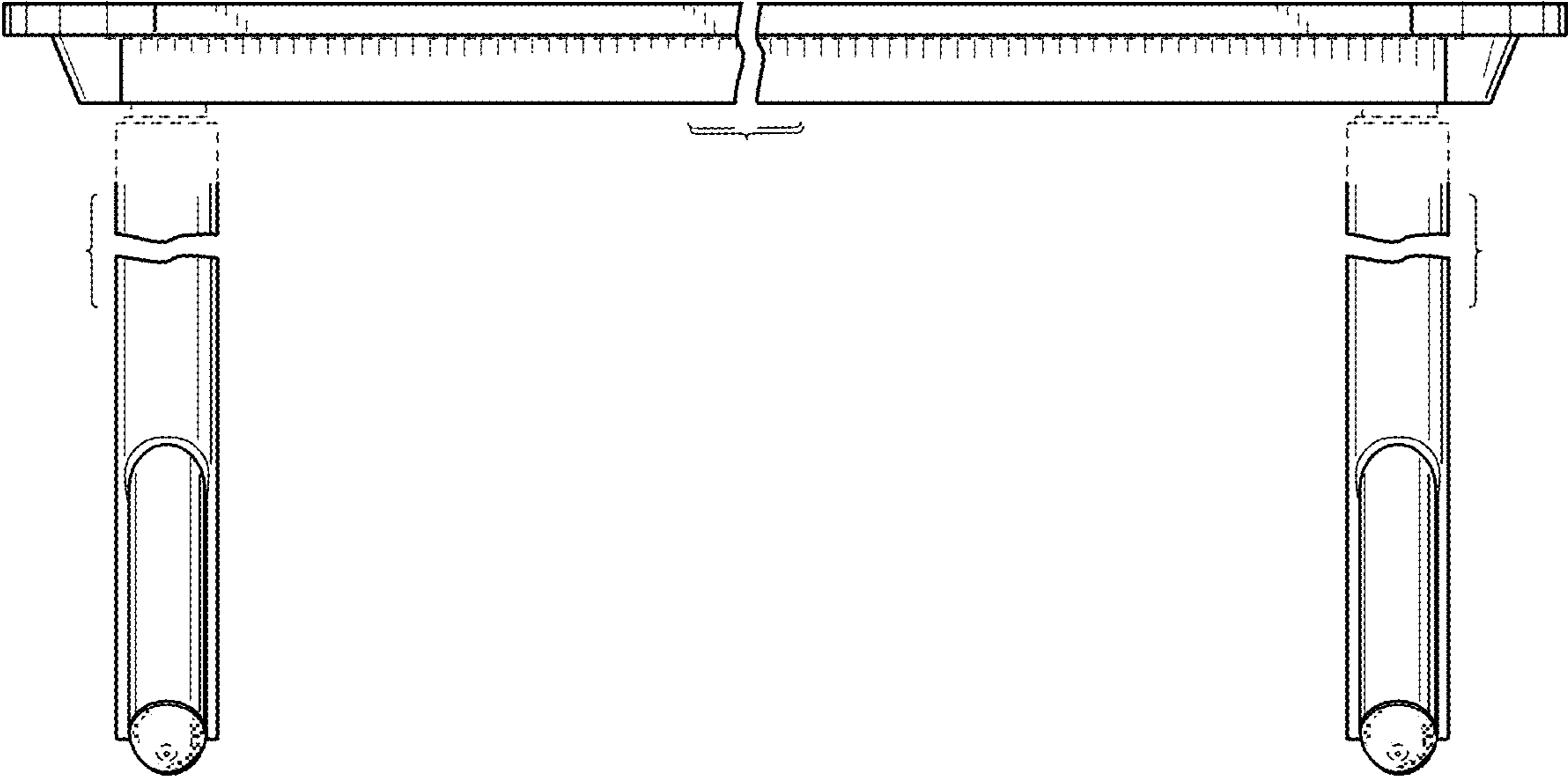


FIG. 5

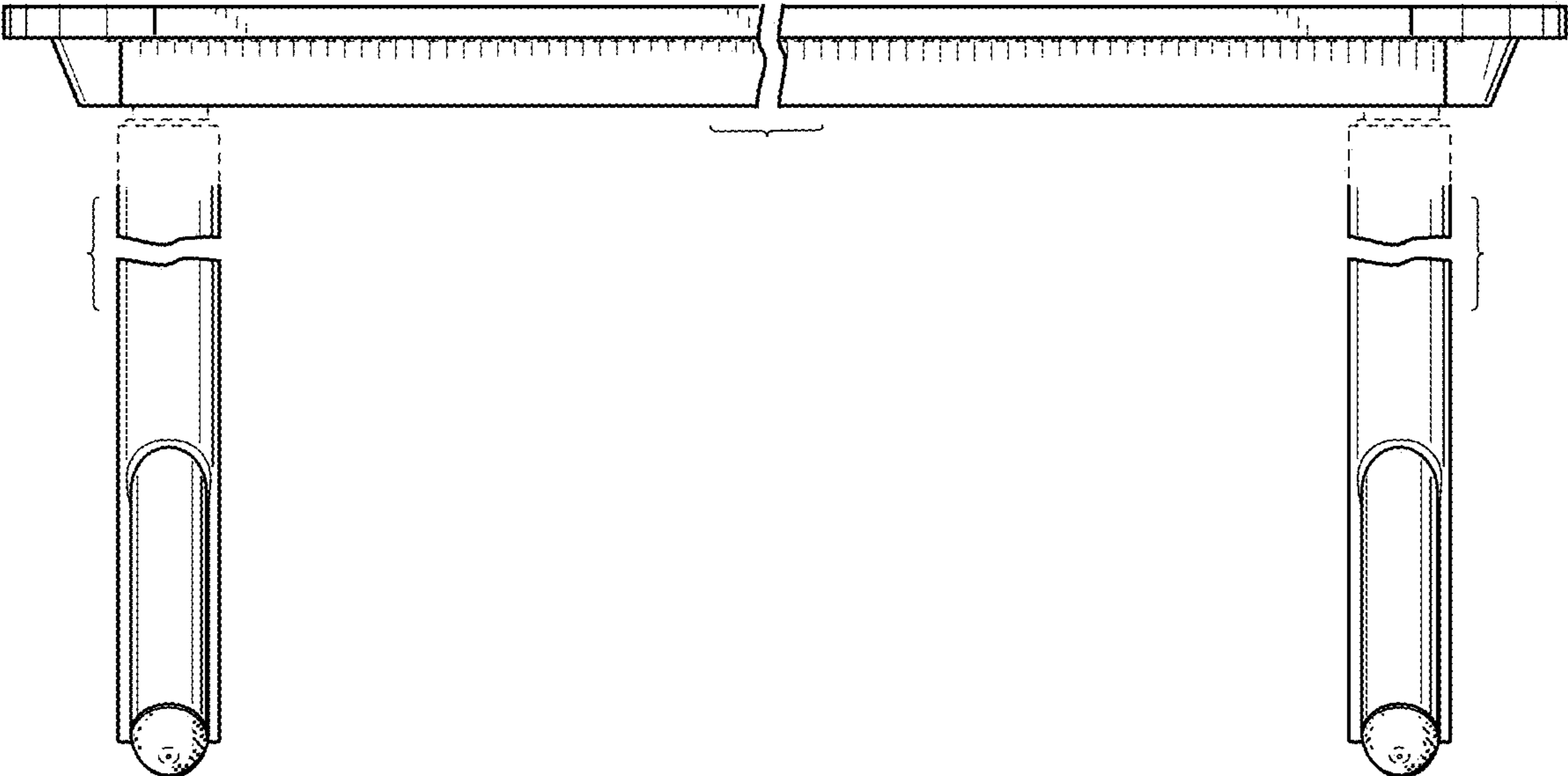


FIG. 6

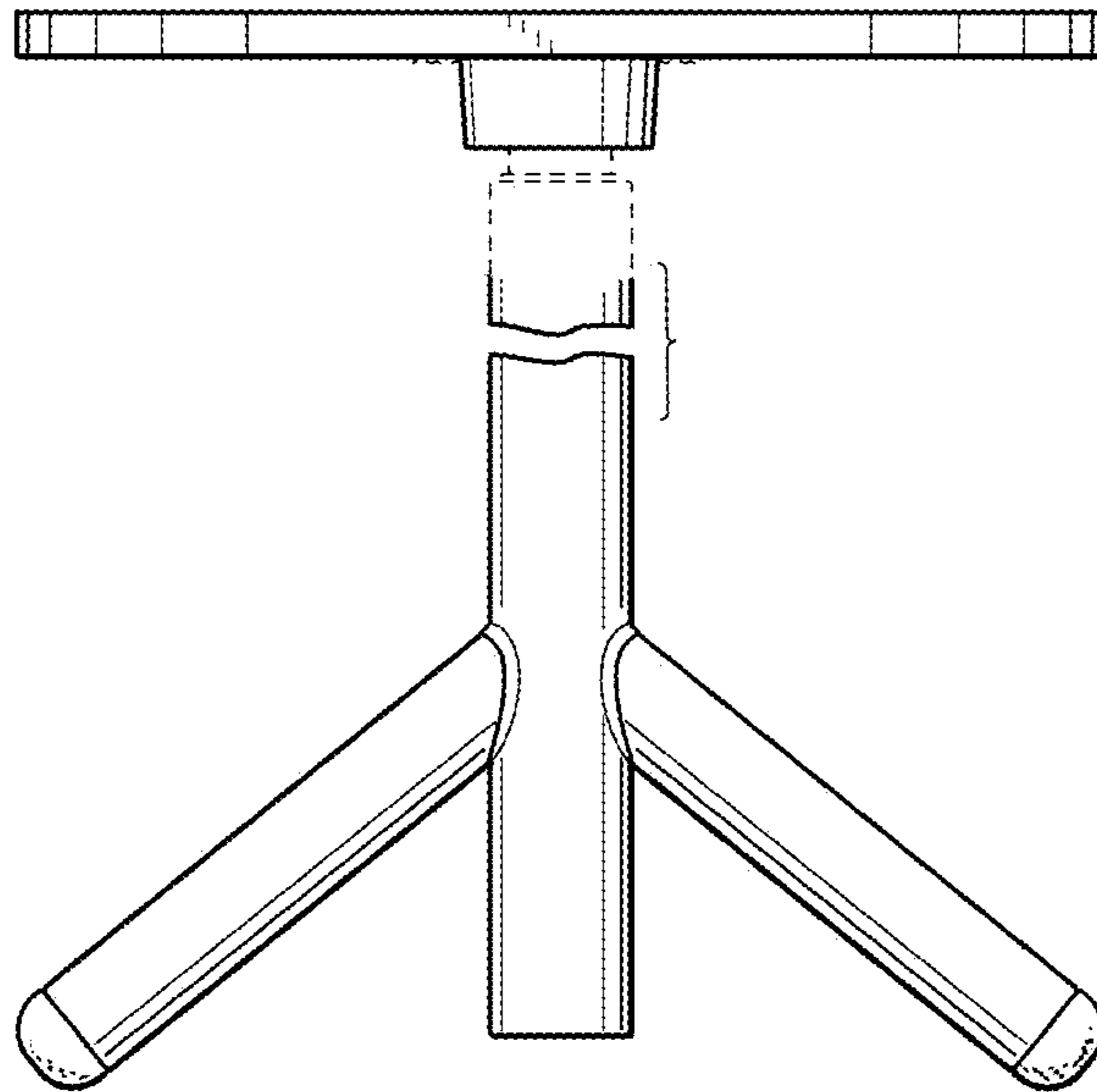


FIG. 7

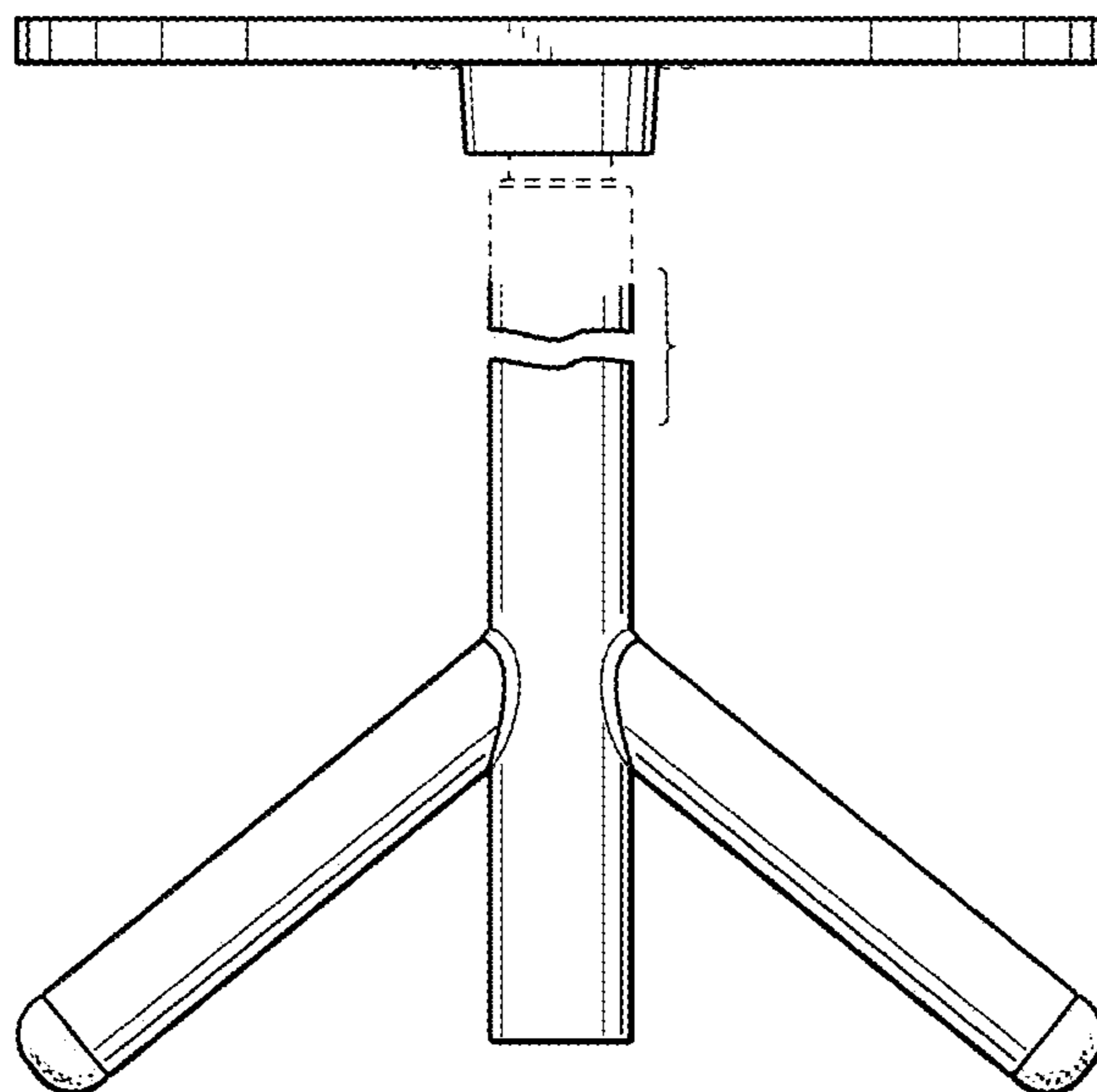


FIG. 8

