



US00D889884S

(12) **United States Design Patent**
Ouyang

(10) **Patent No.:** **US D889,884 S**
(45) **Date of Patent:** **** Jul. 14, 2020**

(54) **PILLOW**

(71) Applicant: **SHENZHEN YOUMIOU TECHNOLOGY CO., LTD**, Shenzhen (CN)

(72) Inventor: **Xiaoling Ouyang**, Ganzhou (CN)

(73) Assignee: **SHENZHEN YOUMIOU TECHNOLOGY CO., LTD**, Shenzhen (CN)

(**) Term: **15 Years**

(21) Appl. No.: **29/689,409**

(22) Filed: **Apr. 30, 2019**

(51) **LOC (12) Cl.** **06-09**

(52) **U.S. Cl.**
USPC **D6/601**

(58) **Field of Classification Search**
USPC D6/595–597, 601, 604–606
CPC A47C 27/00; A47C 27/08; A47C 27/12;
A47C 27/14; A47C 7/18; A47C 7/185;
A47C 7/20; A47C 23/00; A47C 27/001;
A47C 27/05; A47C 27/053; A47C
27/056; A47C 27/06; A47C 27/142; A47C
21/00; A47C 21/026; A47G 9/00; A47G
9/06; A47G 9/08; A47G 9/086; A47G
9/1009; A47G 9/10; A47G 9/1027; A47G
9/1054; A47G 9/1063; A47G 9/1072;
A47G 9/1045; A47G 9/1081; A47G
9/109; A47G 2009/1018; A47G 2009/003
See application file for complete search history.

(56) **References Cited**

U.S. PATENT DOCUMENTS

4,290,155 A * 9/1981 Hanson A47C 27/00
5/722
D306,112 S * 2/1990 Forsland 297/452.22

D316,353 S * 4/1991 Dobson D6/601
D336,809 S * 6/1993 Emery D6/601
D339,949 S * 10/1993 Wei 5/648
D392,145 S * 3/1998 Thurston 5/735
7,316,041 B2 * 1/2008 Guez A47G 9/10
5/636
D808,686 S * 1/2018 May D6/601
9,943,179 B1 * 4/2018 May A47C 7/383
D876,127 S * 2/2020 Park D6/601
2018/0263375 A1 * 9/2018 Stewart A47C 20/025

FOREIGN PATENT DOCUMENTS

WO WO-2006020545 A2 * 2/2006 A47G 9/10

* cited by examiner

Primary Examiner — R. Johnson

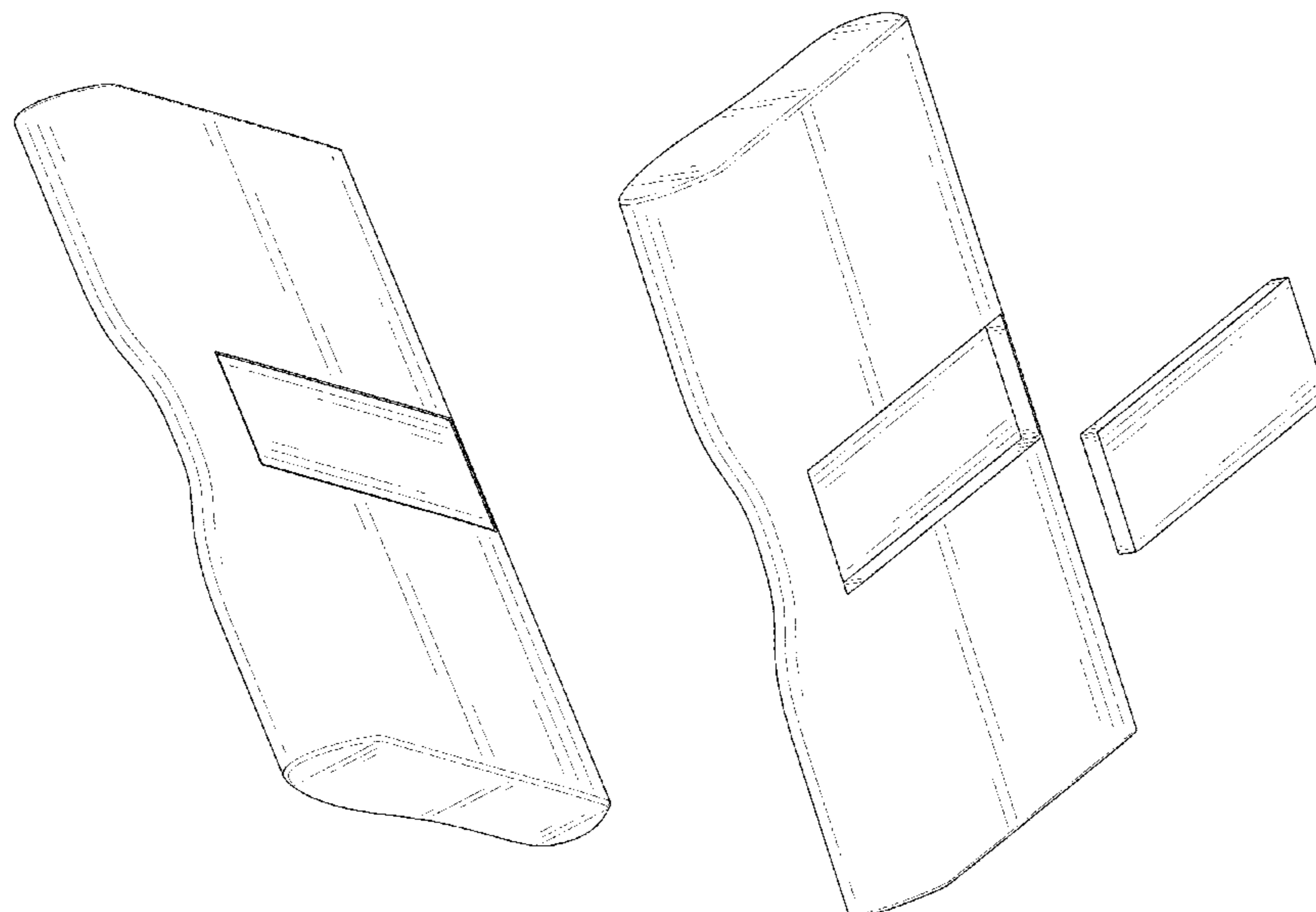
(57) **CLAIM**

The ornamental design for a pillow, as shown and described.

DESCRIPTION

FIG. 1 is a perspective view of a pillow showing my new design;
FIG. 2 is another perspective view thereof;
FIG. 3 is a front elevational view thereof;
FIG. 4 is a rear elevational view thereof;
FIG. 5 is a left side elevational view thereof;
FIG. 6 is a right side elevational view thereof;
FIG. 7 is a top plan view thereof;
FIG. 8 is a bottom plan view thereof; and,
FIG. 9 is a perspective view of the pillow where a cuboid accessory is separated from a pillow body.

1 Claim, 9 Drawing Sheets



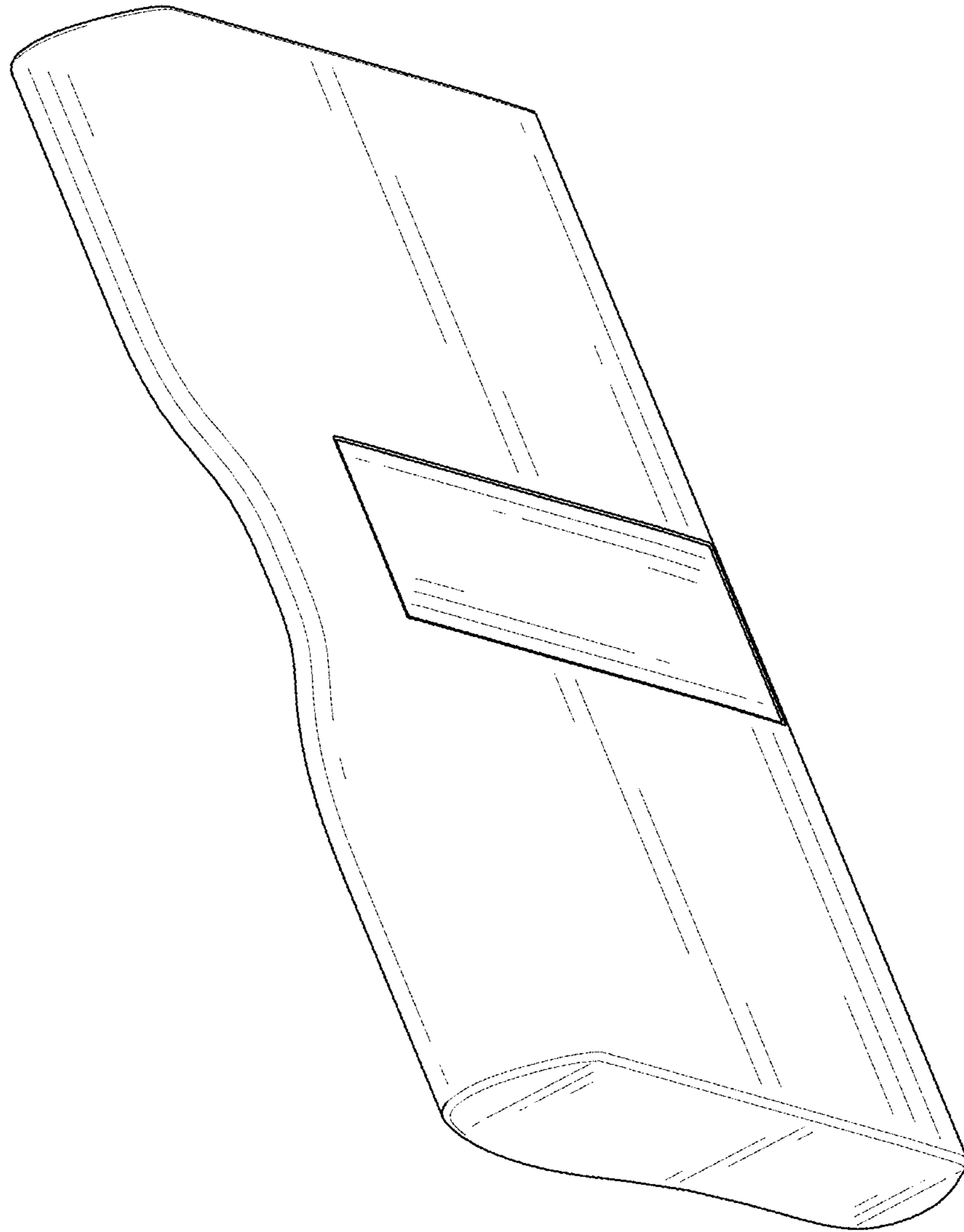


FIG. 1

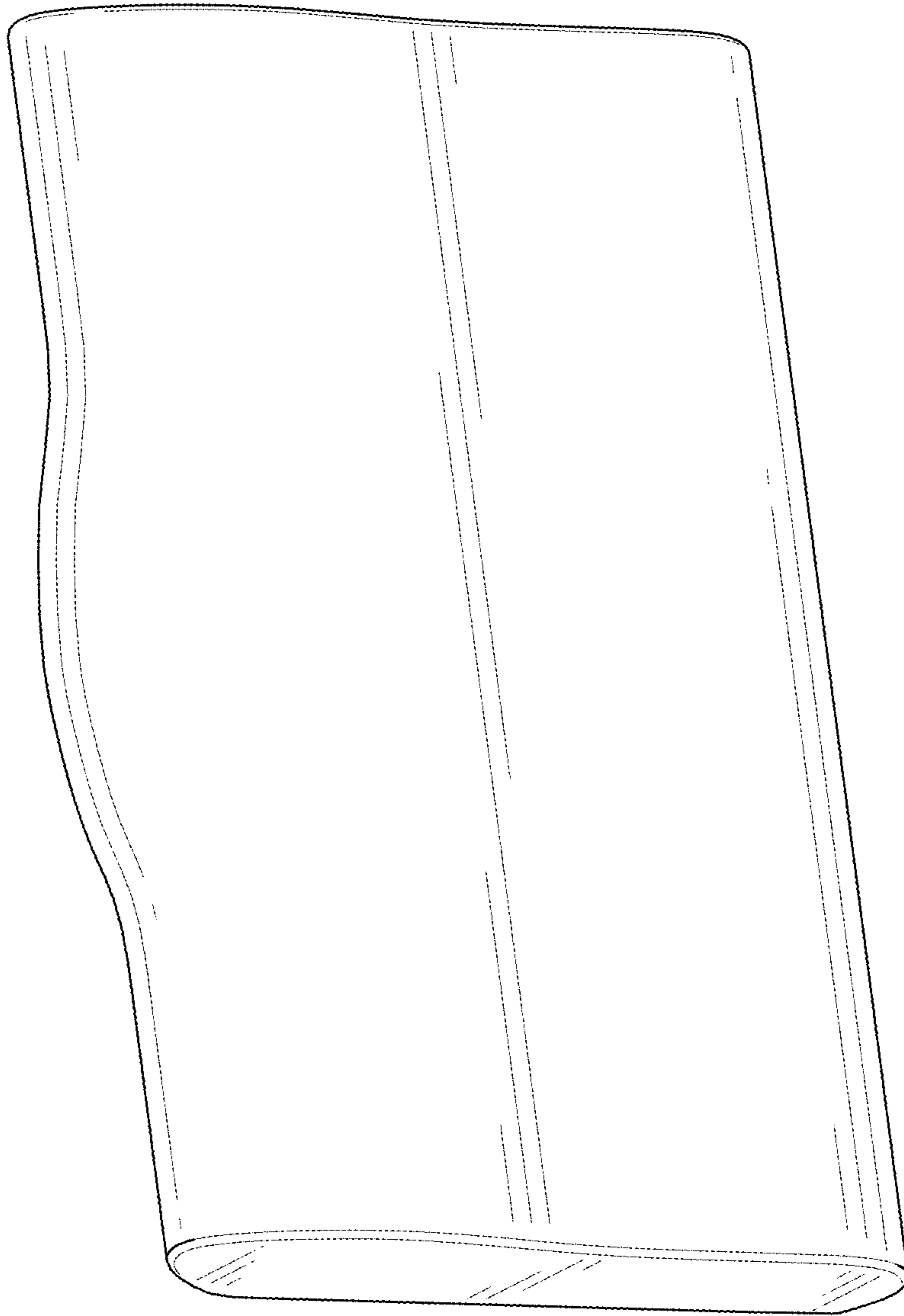


FIG. 2

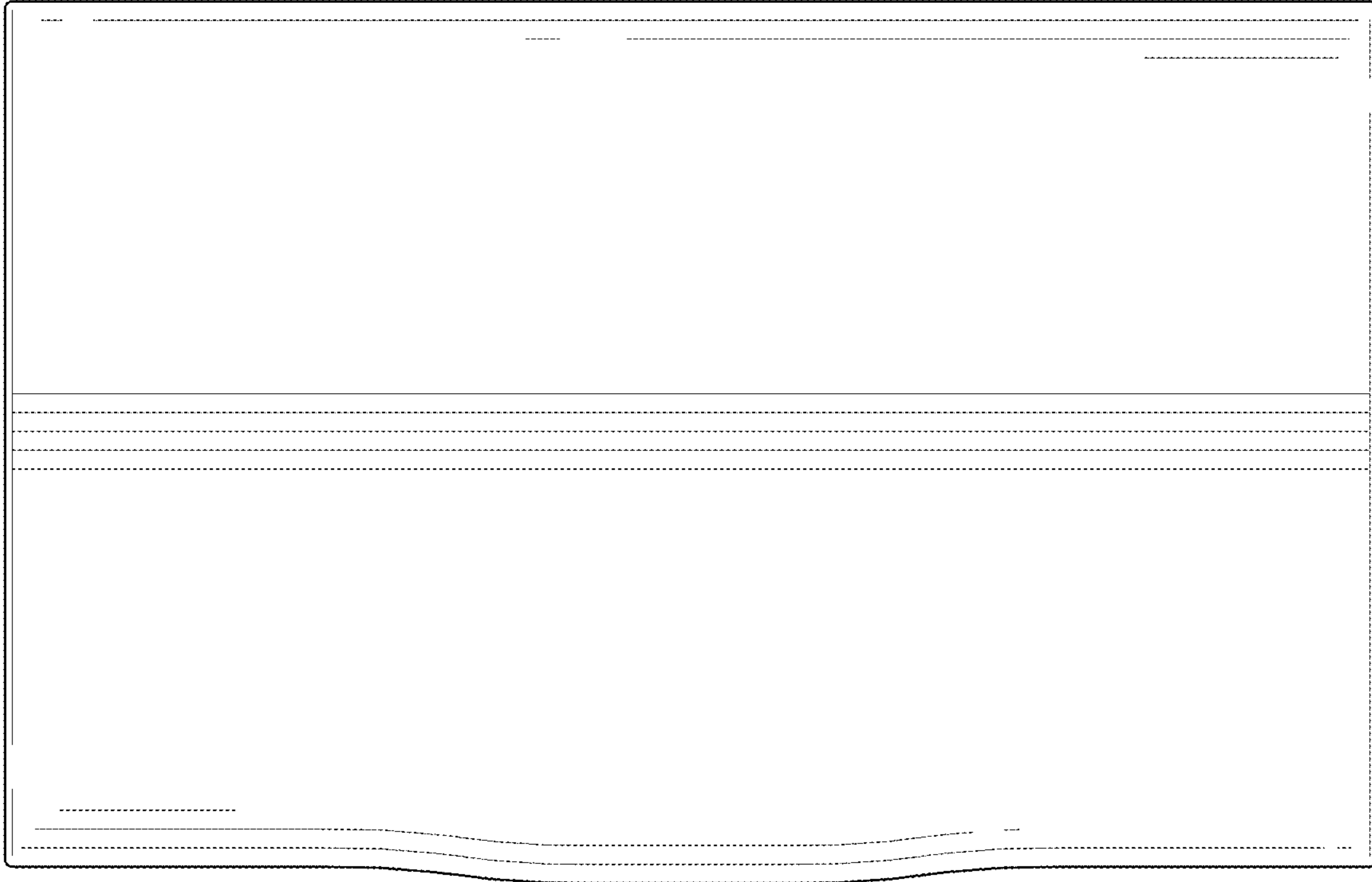


FIG. 3

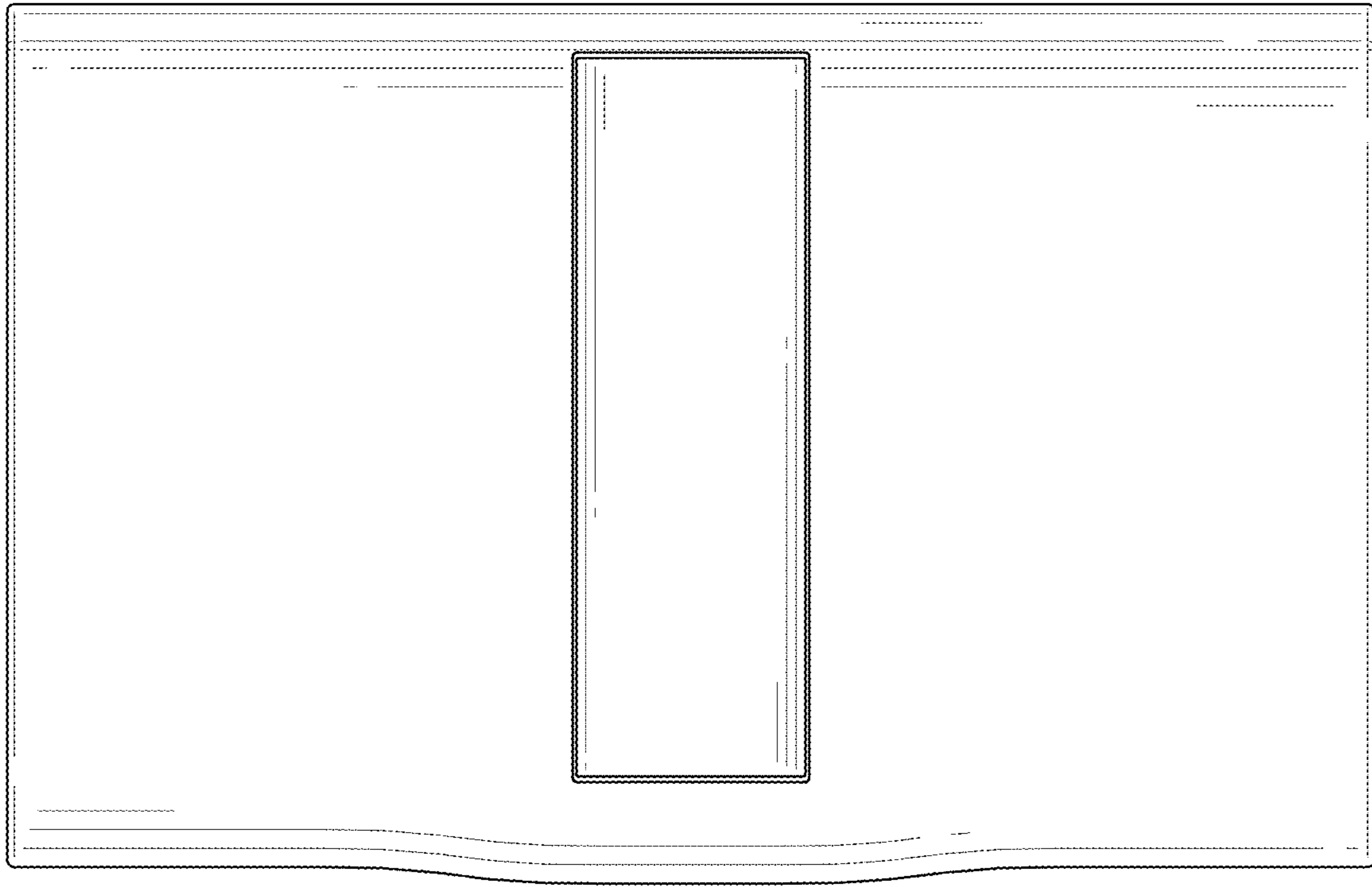


FIG. 4

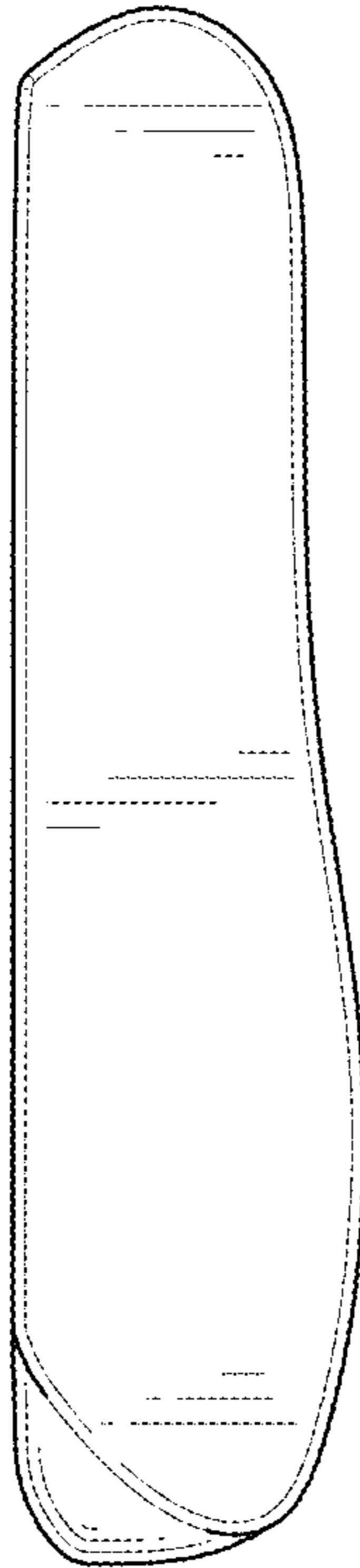


FIG. 5

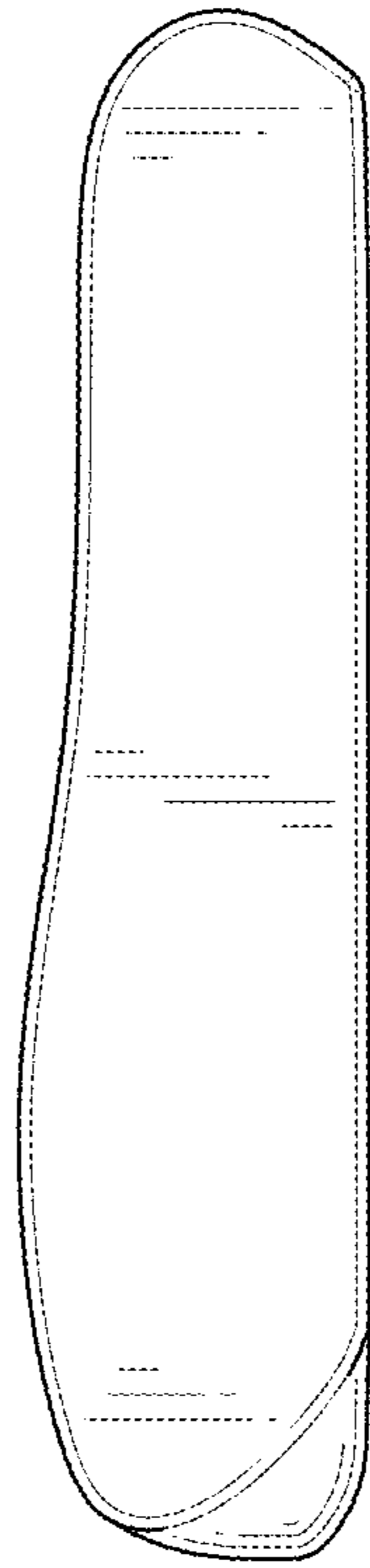


FIG. 6

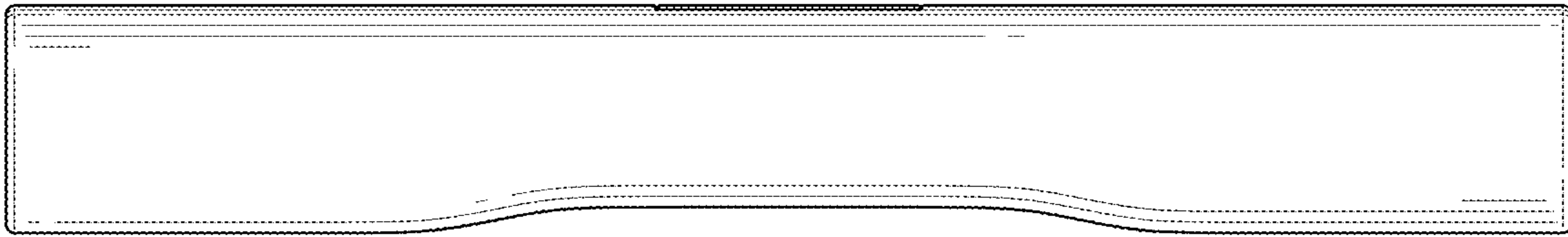


FIG. 7

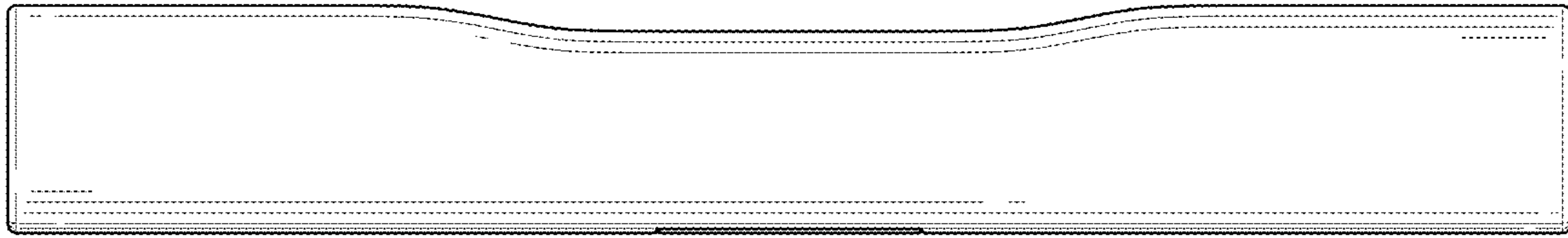


FIG. 8

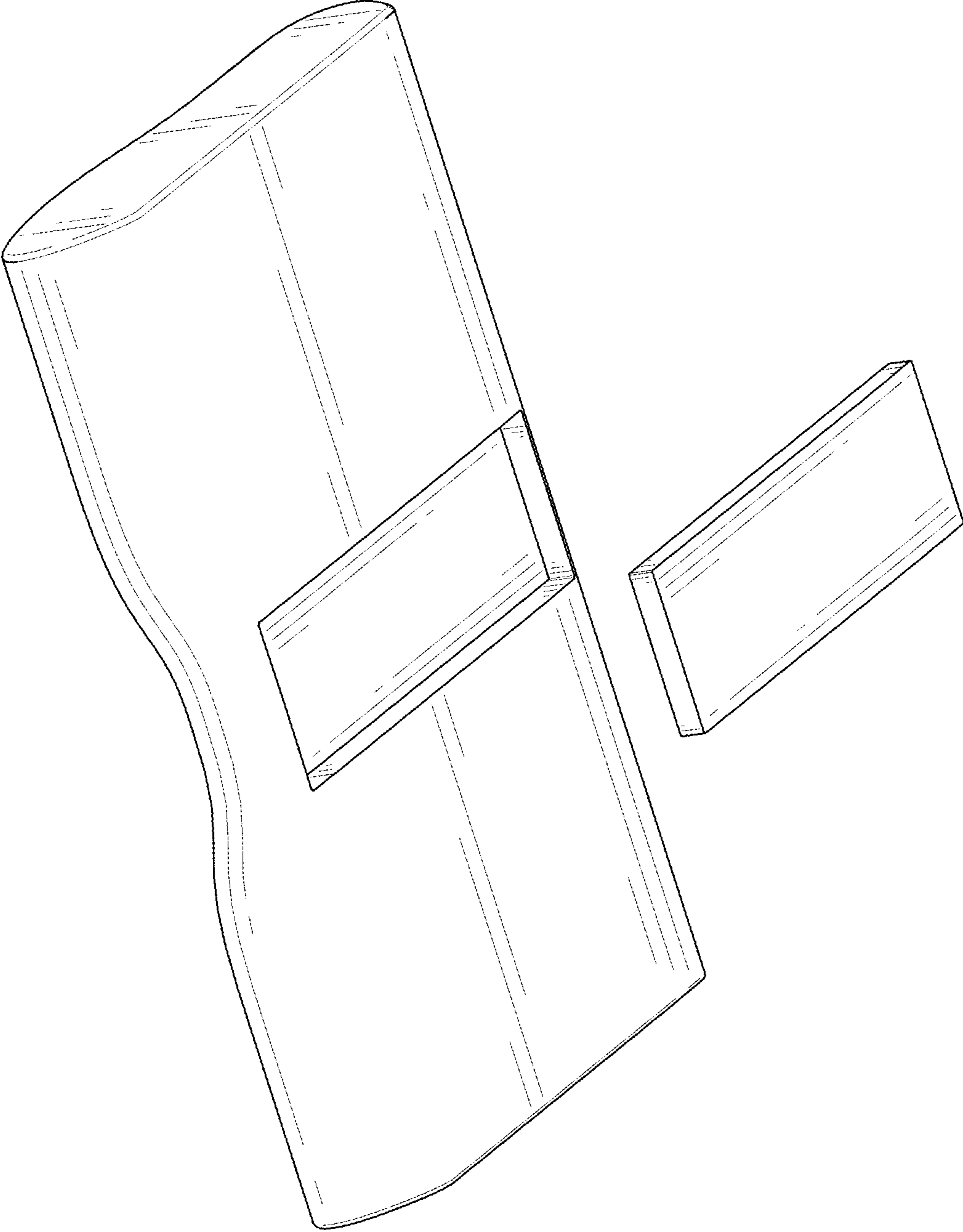


FIG. 9