



US00D889883S

(12) **United States Design Patent**
Diggs, Jr.

(10) **Patent No.:** **US D889,883 S**

(45) **Date of Patent:** **** Jul. 14, 2020**

(54) **PILLOW**

(71) Applicant: **Curtis L. Diggs, Jr.**, Bronx, NY (US)

(72) Inventor: **Curtis L. Diggs, Jr.**, Bronx, NY (US)

(**) Term: **15 Years**

(21) Appl. No.: **29/685,440**

(22) Filed: **Mar. 28, 2019**

(51) **LOC (12) Cl.** **06-09**

(52) **U.S. Cl.**
USPC **D6/601**

(58) **Field of Classification Search**
USPC D6/595–597, 601, 604–606
CPC A47C 27/00; A47C 27/08; A47C 27/12;
A47C 27/14; A47C 7/18; A47C 7/185;
A47C 7/20; A47C 23/00; A47C 27/001;
A47C 27/05; A47C 27/053; A47C
27/056; A47C 27/06; A47C 27/142; A47C
21/00; A47C 21/026; A47G 9/00; A47G
9/06; A47G 9/08; A47G 9/086; A47G
9/1009; A47G 9/10; A47G 9/1027; A47G
9/1054; A47G 9/1063; A47G 9/1072;
A47G 9/1045; A47G 9/1081; A47G
9/109; A47G 2009/1018; A47G 2009/003
See application file for complete search history.

(56) **References Cited**

U.S. PATENT DOCUMENTS

| | | | | | |
|-----------|-----|---------|-----------|-------|------------|
| 2,782,840 | A * | 2/1957 | Armbrecht | | A47C 31/10 |
| | | | | | 297/228.11 |
| 2,795,802 | A * | 6/1957 | Myers | | A47G 9/10 |
| | | | | | 5/632 |
| D214,302 | S * | 6/1969 | Barber | | D6/601 |
| D303,897 | S | 10/1989 | Phillips | | |
| 5,269,590 | A * | 12/1993 | Carilli | | A47C 7/021 |
| | | | | | 297/452.55 |
| D348,583 | S | 7/1994 | Rubin | | |

| | | | | | |
|-----------|-----|---------|------------------|-------|------------|
| D351,525 | S | 10/1994 | Alexander | | |
| 5,452,940 | A * | 9/1995 | Maier | | A47C 7/46 |
| | | | | | 297/452.32 |
| D372,160 | S * | 7/1996 | Morgan | | D6/596 |
| D376,505 | S | 12/1996 | O'Brien | | |
| D393,772 | S | 4/1998 | Vingino | | |
| D457,589 | S | 5/2002 | Friar | | |
| D484,348 | S | 12/2003 | Pappas | | |
| D486,342 | S | 2/2004 | Suzuki | | |
| D588,390 | S * | 3/2009 | Brill-Cass | | D6/596 |
| D603,644 | S | 11/2009 | Ketner | | |
| D635,388 | S | 4/2011 | Bamford et al. | | |
| D637,031 | S | 5/2011 | Anderson | | |
| D713,170 | S | 9/2014 | Tonucci | | |
| D715,580 | S | 10/2014 | Ganjavian et al. | | |
| D746,024 | S | 12/2015 | Albert | | |
| D747,898 | S | 1/2016 | Lovechio | | |
| D766,621 | S | 9/2016 | Sharfman et al. | | |
| D769,649 | S | 10/2016 | Vargas | | |
| D781,028 | S | 3/2017 | Hindley | | |

(Continued)

FOREIGN PATENT DOCUMENTS

| | | | | | | |
|----|--|----------|------|---------|-------|-----------|
| EP | | 0633161 | A1 * | 1/1995 | | B60N 2/70 |
| JP | | 07275098 | A * | 10/1995 | | |

Primary Examiner — R. Johnson
(74) *Attorney, Agent, or Firm* — Dunlap Bennett & Ludwig PLLC

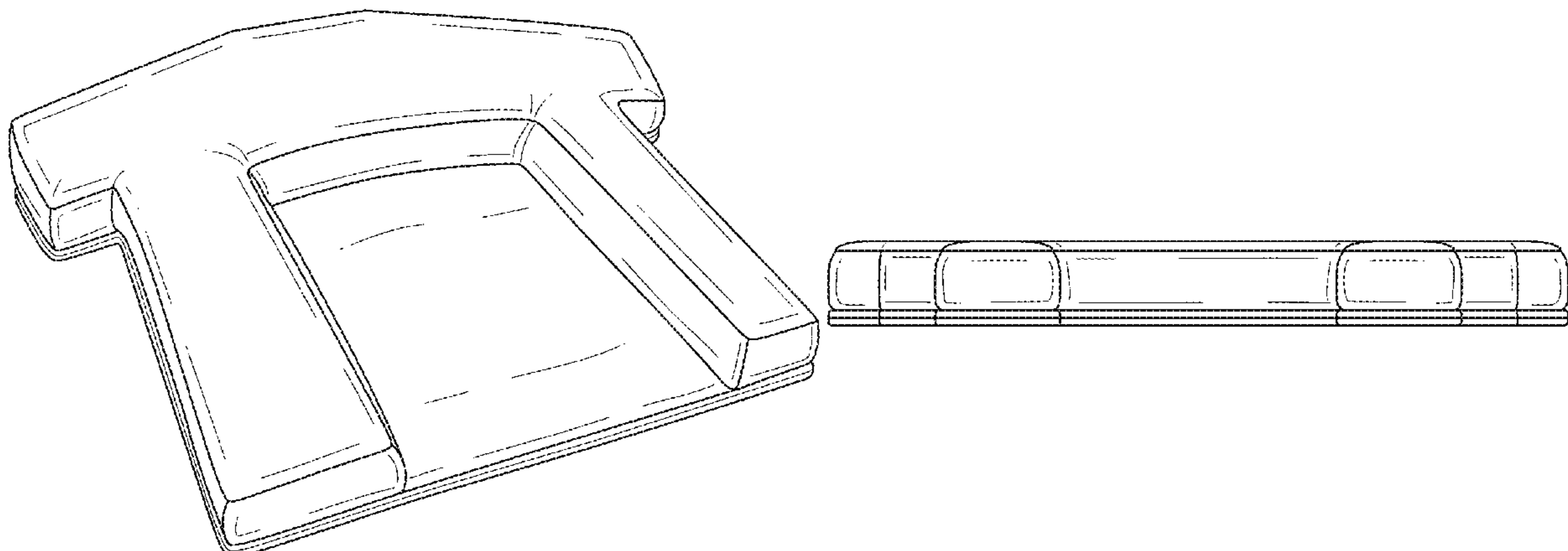
(57) **CLAIM**

The ornamental design for a pillow, as shown and described.

DESCRIPTION

FIG. 1 is a top perspective view of a pillow, showing my new design;
FIG. 2 is a front elevation view thereof;
FIG. 3 is a rear elevation view thereof;
FIG. 4 is a left-side elevation view thereof, the right-side elevation view being a mirror image thereof; and,
FIG. 5 is a top plan view thereof.

1 Claim, 3 Drawing Sheets



(56)

References Cited

U.S. PATENT DOCUMENTS

| | | | |
|------------------|--------|-------------------|----------------------|
| D781,073 S | 3/2017 | Kashierski | |
| 2007/0101502 A1* | 5/2007 | Bierbauer | A47C 27/001 5/636 |
| 2012/0174320 A1* | 7/2012 | White Thomas | A47G 9/1036 5/632 |
| 2014/0259425 A1* | 9/2014 | Lovechio | A61G 7/0755 5/648 |
| 2020/0022510 A1* | 1/2020 | Shokrian | A47G 9/0253 |

* cited by examiner

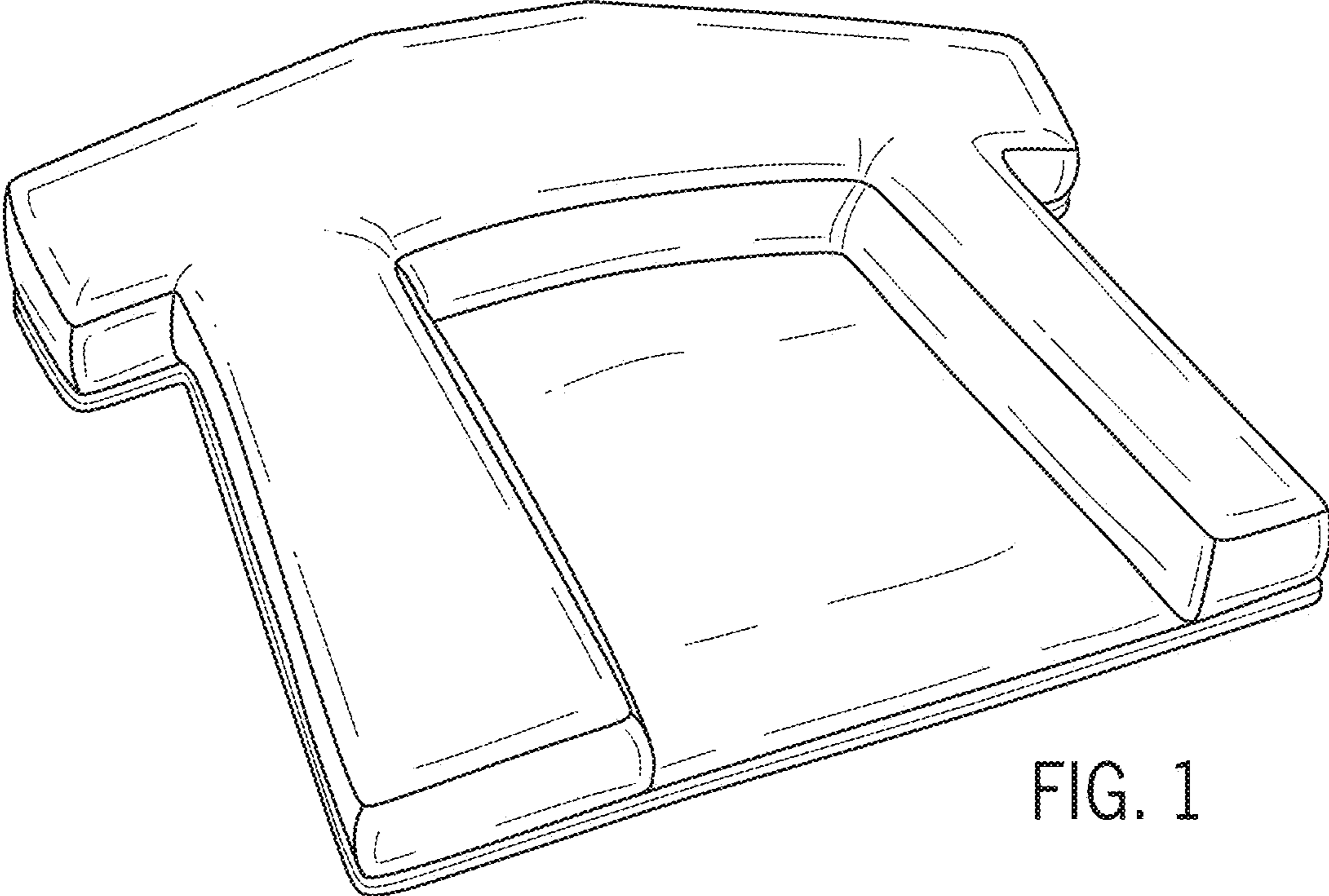


FIG. 1

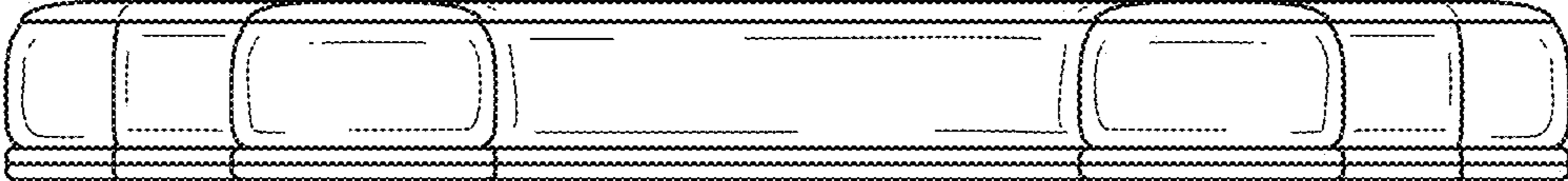


FIG. 2

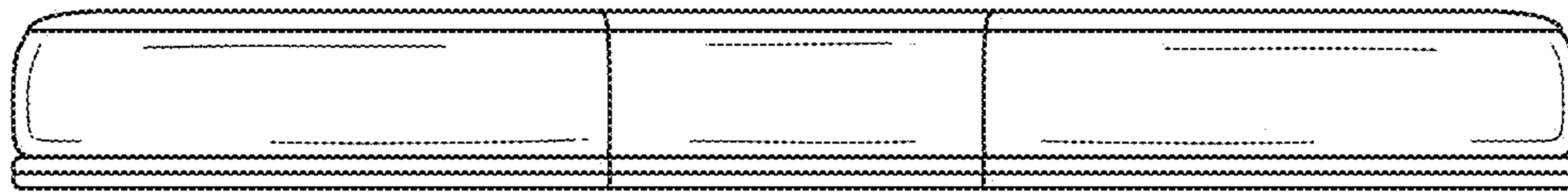


FIG. 3

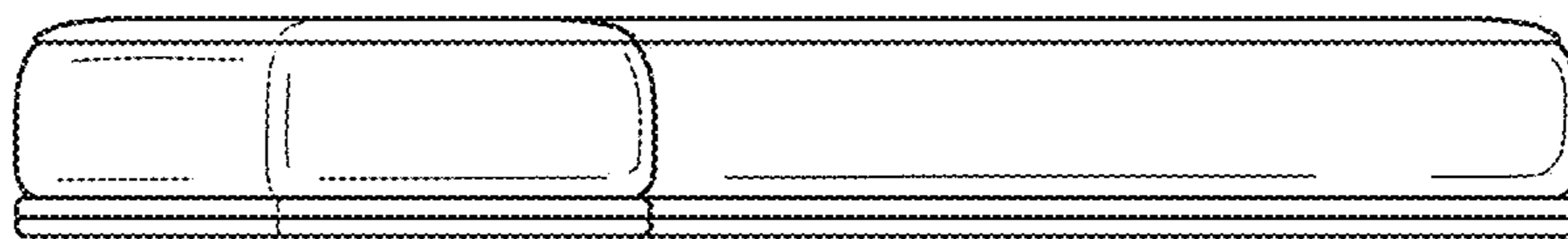


FIG. 4

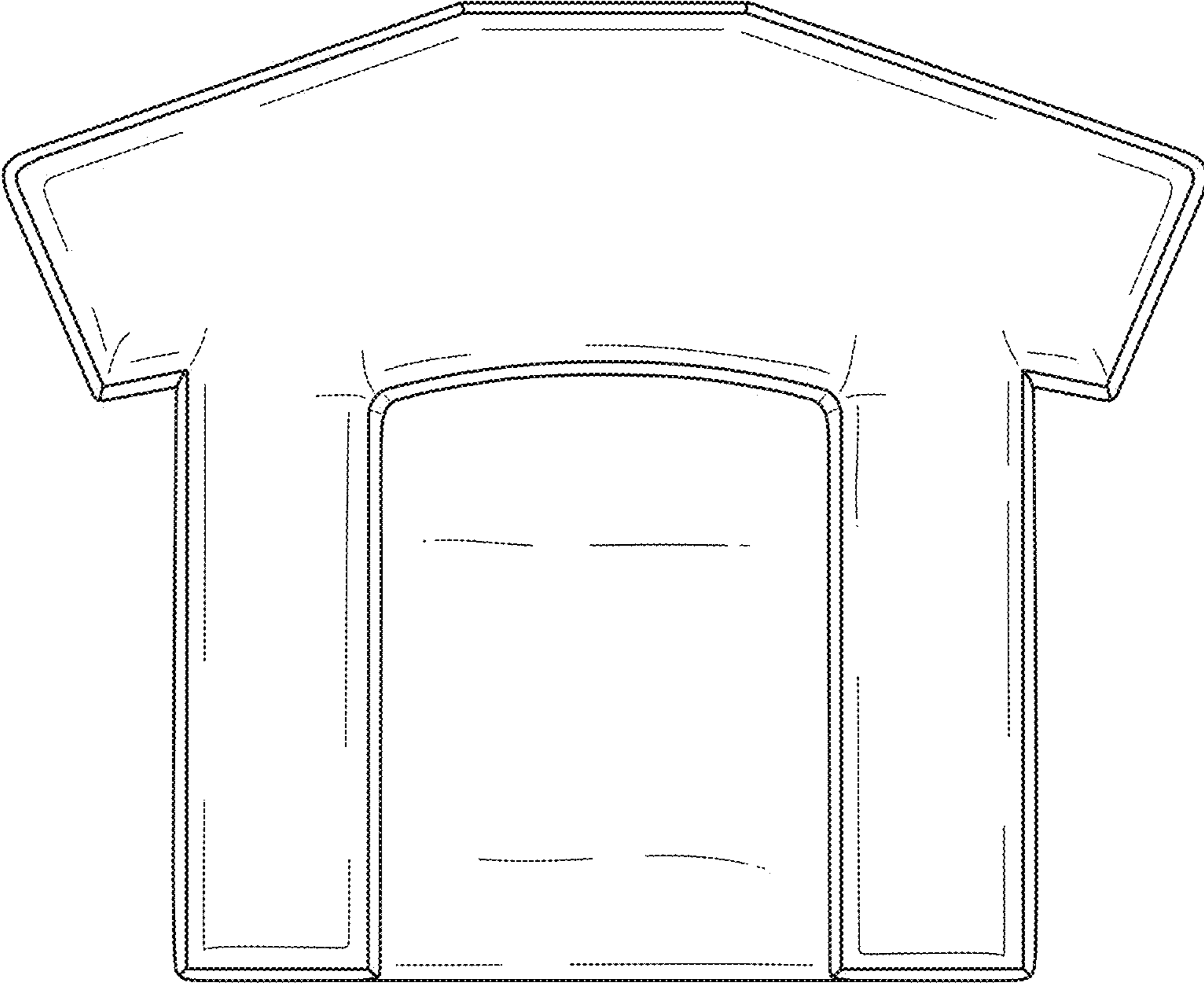


FIG. 5