



US00D889881S

(12) **United States Design Patent**
Sheffer

(10) **Patent No.:** **US D889,881 S**

(45) **Date of Patent:** **** Jul. 14, 2020**

(54) **HELMET HANGER HOLDER**

(71) Applicant: **Doron Sheffer**, Ramat Gan (IL)

(72) Inventor: **Doron Sheffer**, Ramat Gan (IL)

(**) Term: **15 Years**

(21) Appl. No.: **29/645,288**

(22) Filed: **Apr. 25, 2018**

(30) **Foreign Application Priority Data**

Nov. 9, 2017 (IL) 61190

(51) **LOC (12) Cl.** **06-08**

(52) **U.S. Cl.**
USPC **D6/553; D6/320**

(58) **Field of Classification Search**
USPC D6/320, 315, 317, 318, 319, 323, 324,
D6/325, 326, 327, 512, 513, 552, 553,
D6/556, 566, 567, 572; D3/329;
D8/370, 382, 395, 499; D12/180;
D19/90, 281; 211/113, 119, 106.01, 204;
223/85

CPC B62J 11/005; B62J 1/28; A42B 3/006
See application file for complete search history.

(56) **References Cited**

U.S. PATENT DOCUMENTS

- D344,876 S * 3/1994 Vandergon D6/567
- 5,318,266 A * 6/1994 Liu A47K 1/09
248/292.12
- D348,384 S * 7/1994 Karsten D8/363
- D380,144 S * 6/1997 Lew D8/380
- 6,053,340 A * 4/2000 Cameron A47B 81/00
211/85.7
- D450,233 S * 11/2001 Ward D8/373
- D475,878 S * 6/2003 Knable, III D6/552
- D485,720 S * 1/2004 Messinger D6/528
- D487,368 S * 3/2004 Hoernig D6/546

- D488,656 S * 4/2004 Messinger D6/528
- D492,869 S * 7/2004 Henry D6/534
- 6,766,912 B1 * 7/2004 Gibbs A47G 23/0225
211/74
- D506,668 S * 6/2005 Black D8/354
- D516,393 S * 3/2006 Wickenhauser D7/619.1
- D552,453 S * 10/2007 Cronk D8/354
- D585,224 S * 1/2009 Hwang D6/553
- D655,545 S * 3/2012 Bowler D3/205
- 8,936,174 B1 * 1/2015 Kramer B65F 1/06
206/554
- D736,071 S * 8/2015 Wu D8/373
- D754,001 S * 4/2016 Barrier D7/622

(Continued)

OTHER PUBLICATIONS

youtube.com, Ex1, Nov. 22, 2017 https://www.youtube.com/watch?time_continue=82&v=Bmk6jpn9P38&feature=emb_logo (Year: 2017).*

Primary Examiner — Nathan M Johnston
(74) *Attorney, Agent, or Firm* — Manelli Selter PLLC;
Edward Stemberger

(57) **CLAIM**

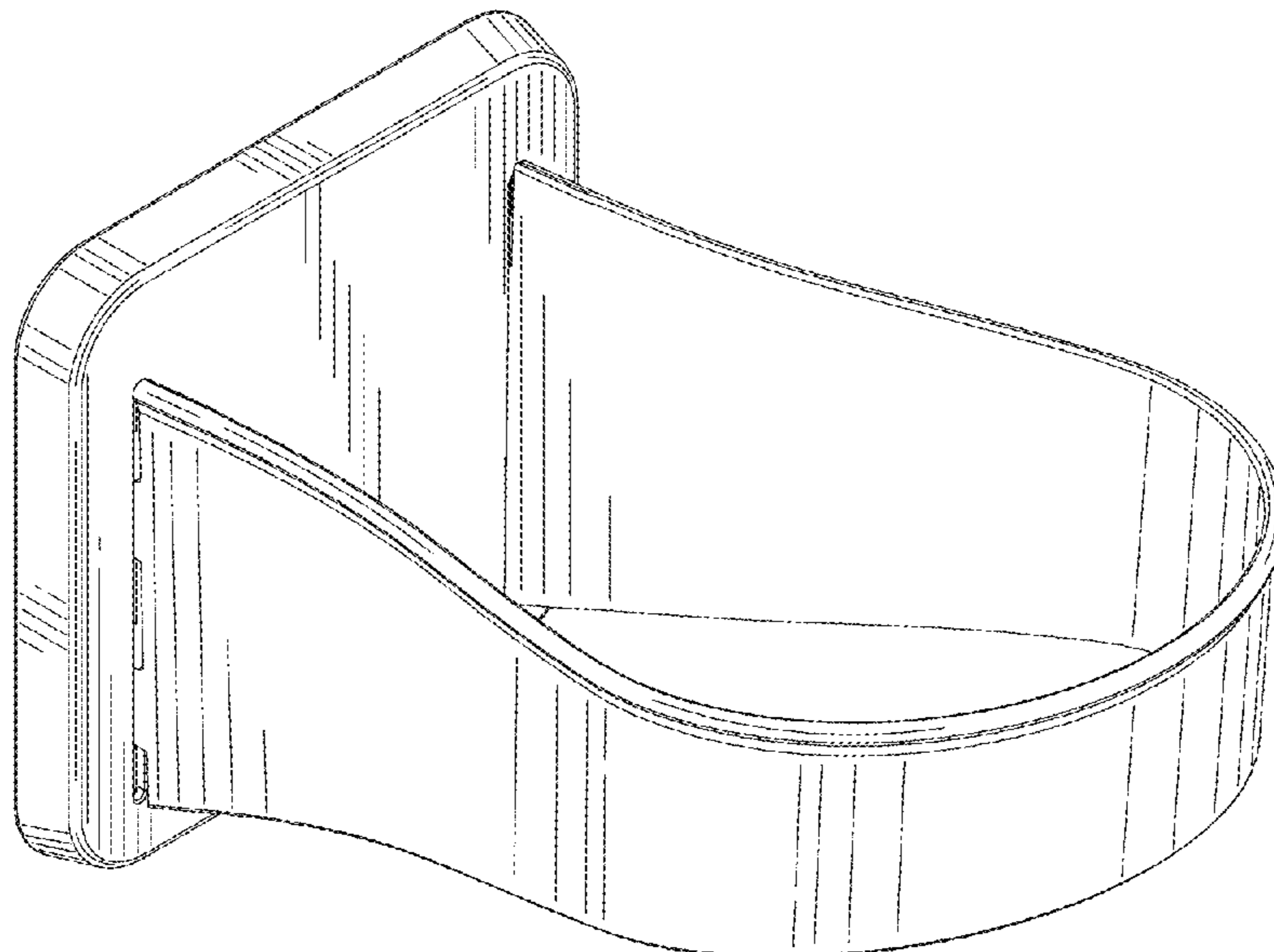
The ornamental design for a helmet hanger holder, as shown and described.

DESCRIPTION

FIG. 1 is a front perspective view of a helmet hanger holder in accordance with the invention;
FIG. 2 is a rear perspective view thereof;
FIG. 3 is a front elevational view thereof;
FIG. 4 is a rear elevational view thereof;
FIG. 5 is a right side elevational view thereof;
FIG. 6 is a left side elevational view thereof;
FIG. 7 is a top plan view thereof; and,
FIG. 8 is a bottom view thereof.

The broken lines shown in the drawings illustrate structure or features that form no part of the claimed design.

1 Claim, 5 Drawing Sheets



(56)

References Cited

U.S. PATENT DOCUMENTS

D766,611 S *	9/2016	Bileth	F16M 13/022
			D6/512
D766,617 S *	9/2016	Hochman	D6/553
D771,476 S *	11/2016	Prince	D8/373
D792,720 S *	7/2017	Lang	D6/552
D831,379 S *	10/2018	Del Rosario Roy	D6/553
2015/0306622 A1 *	10/2015	Ashworth	A47K 5/1201
			248/205.8

* cited by examiner

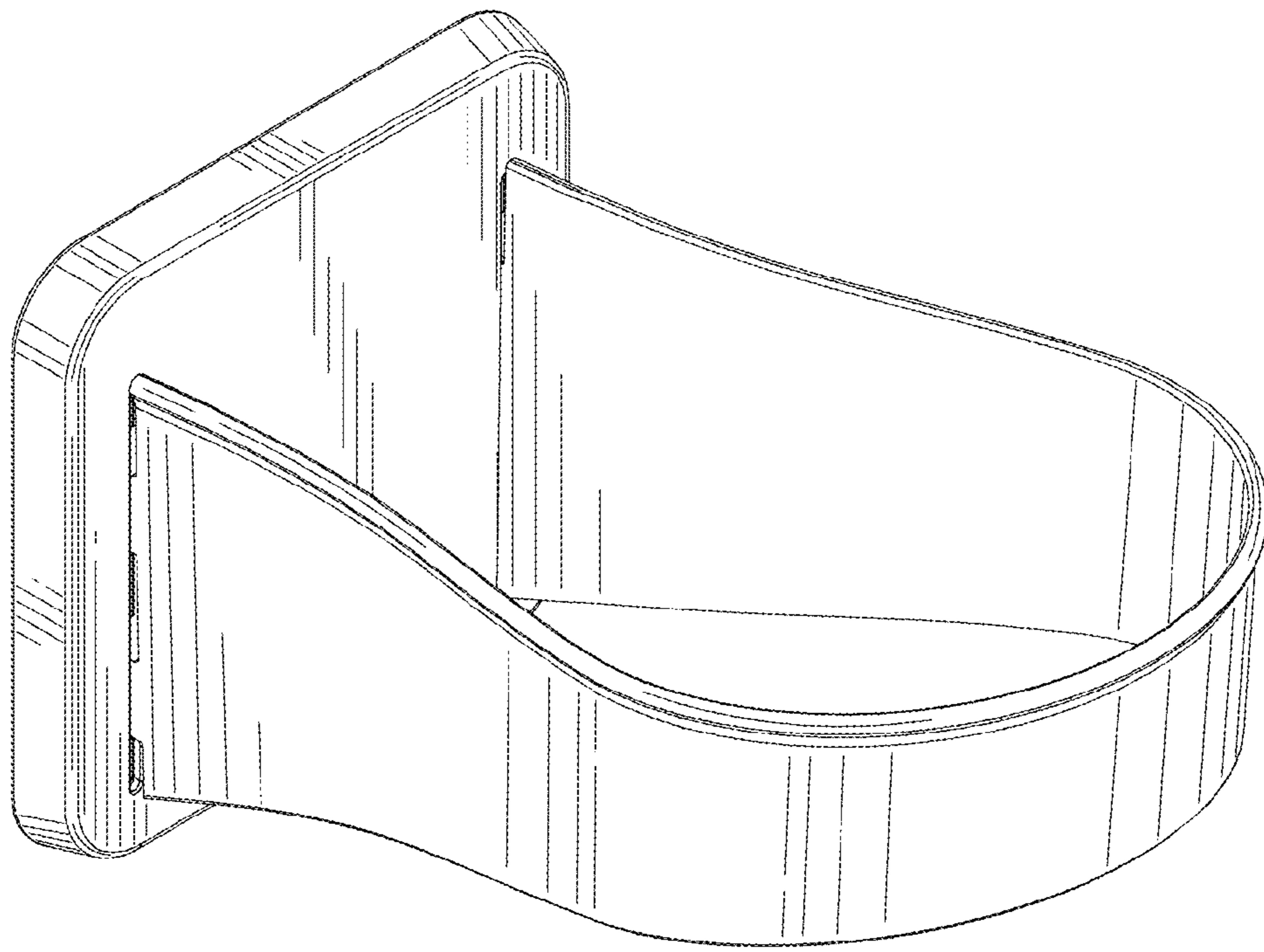


FIG. 1

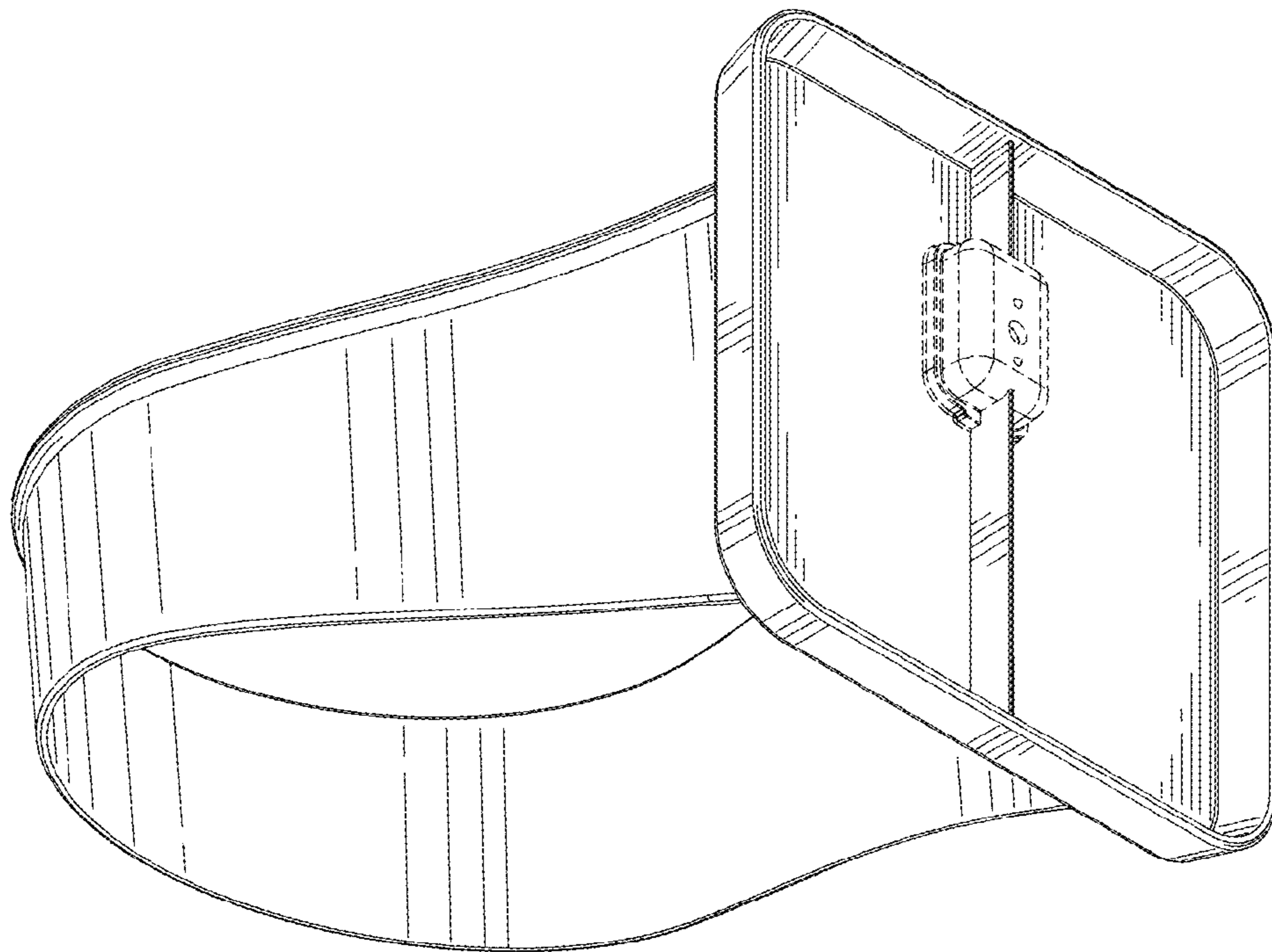


FIG. 2

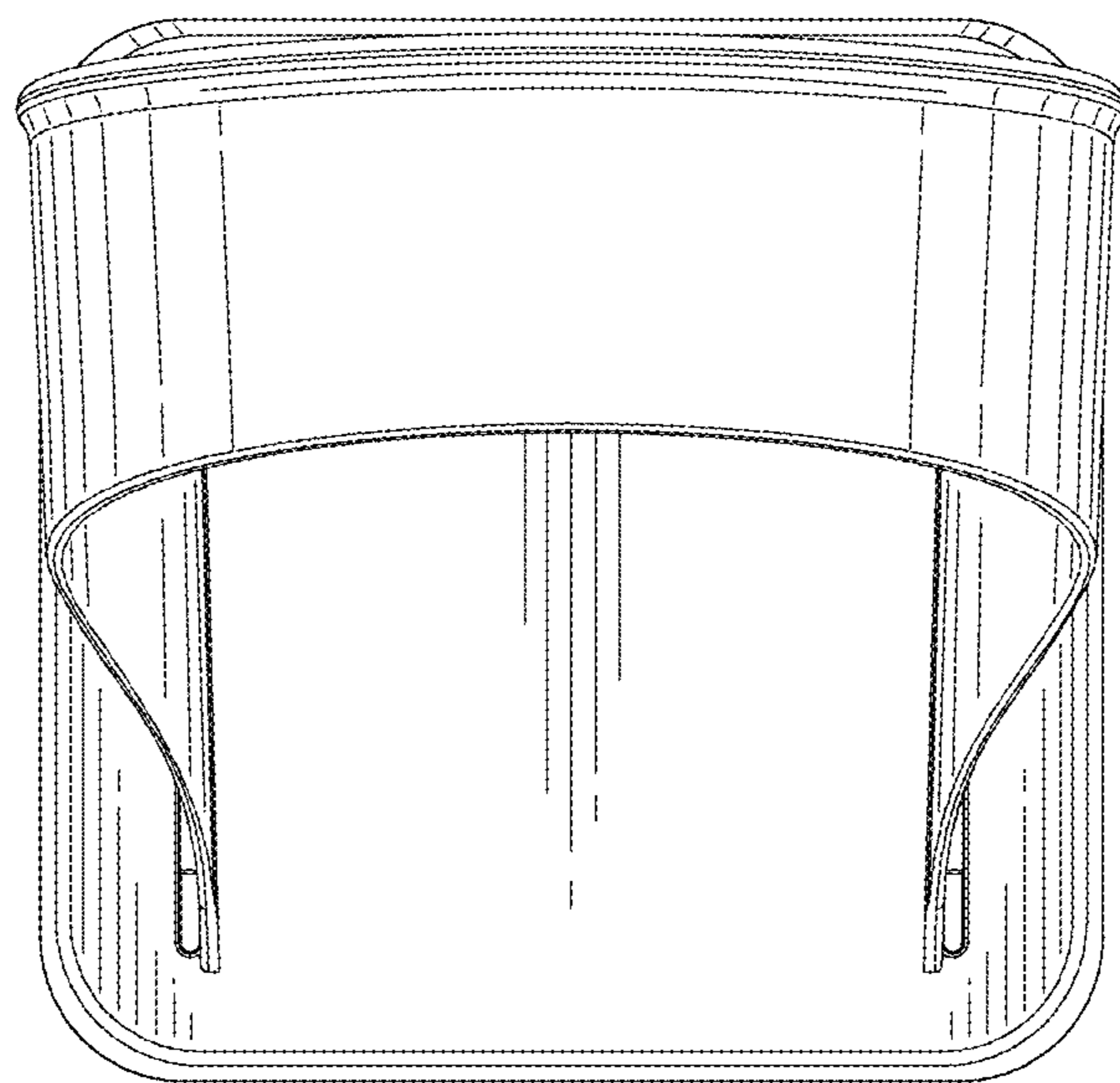


FIG. 3

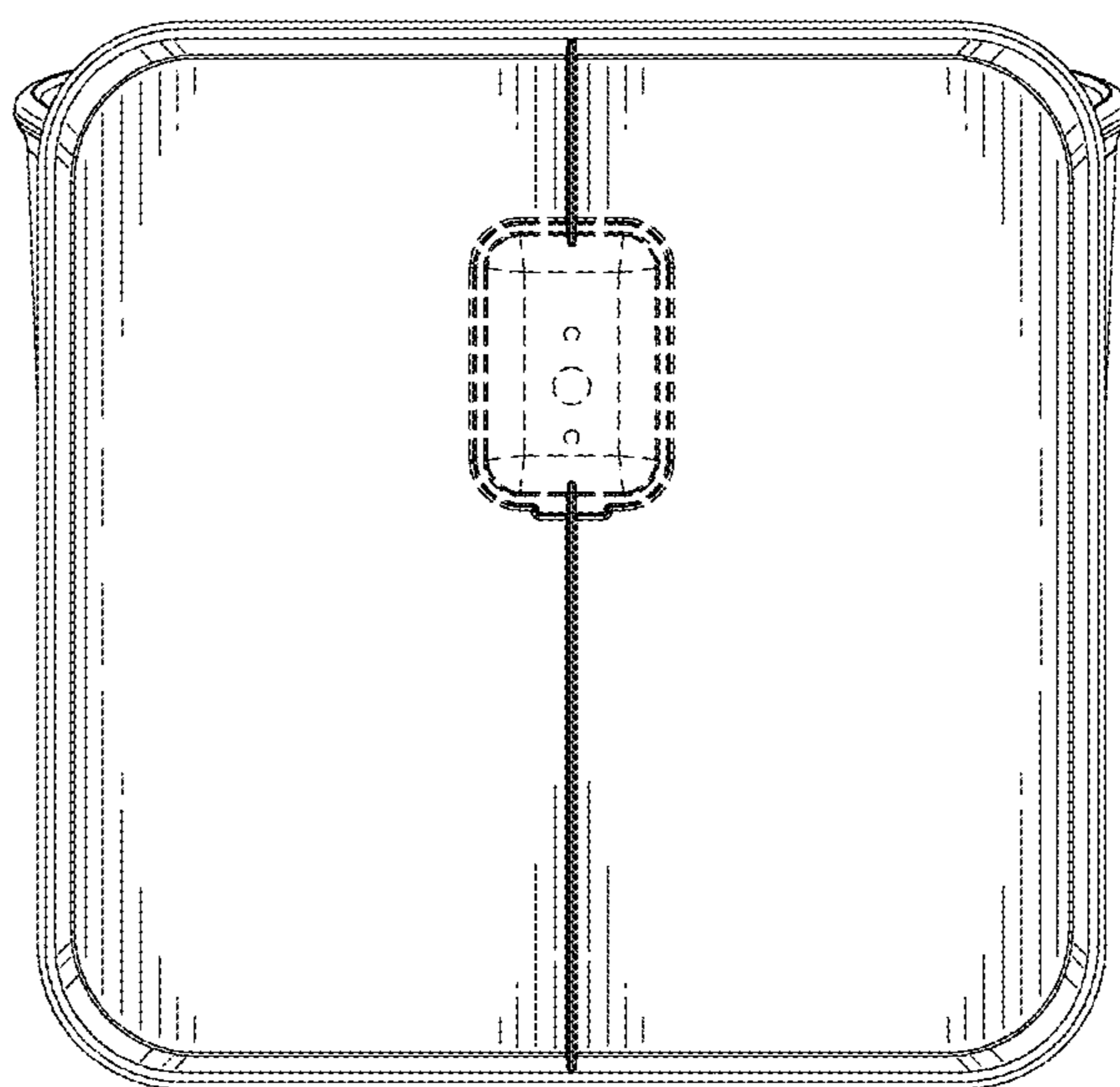


FIG. 4

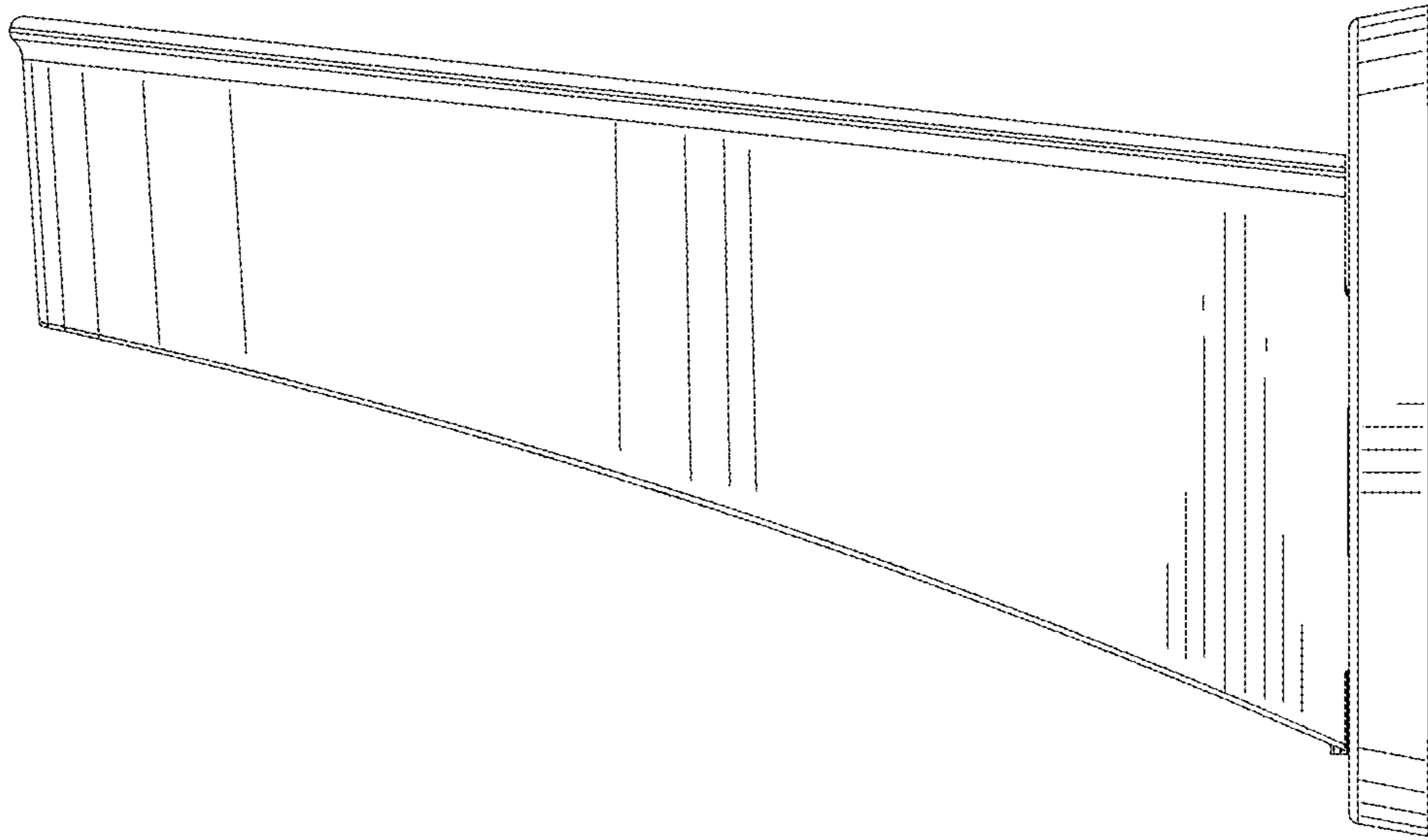


FIG. 5

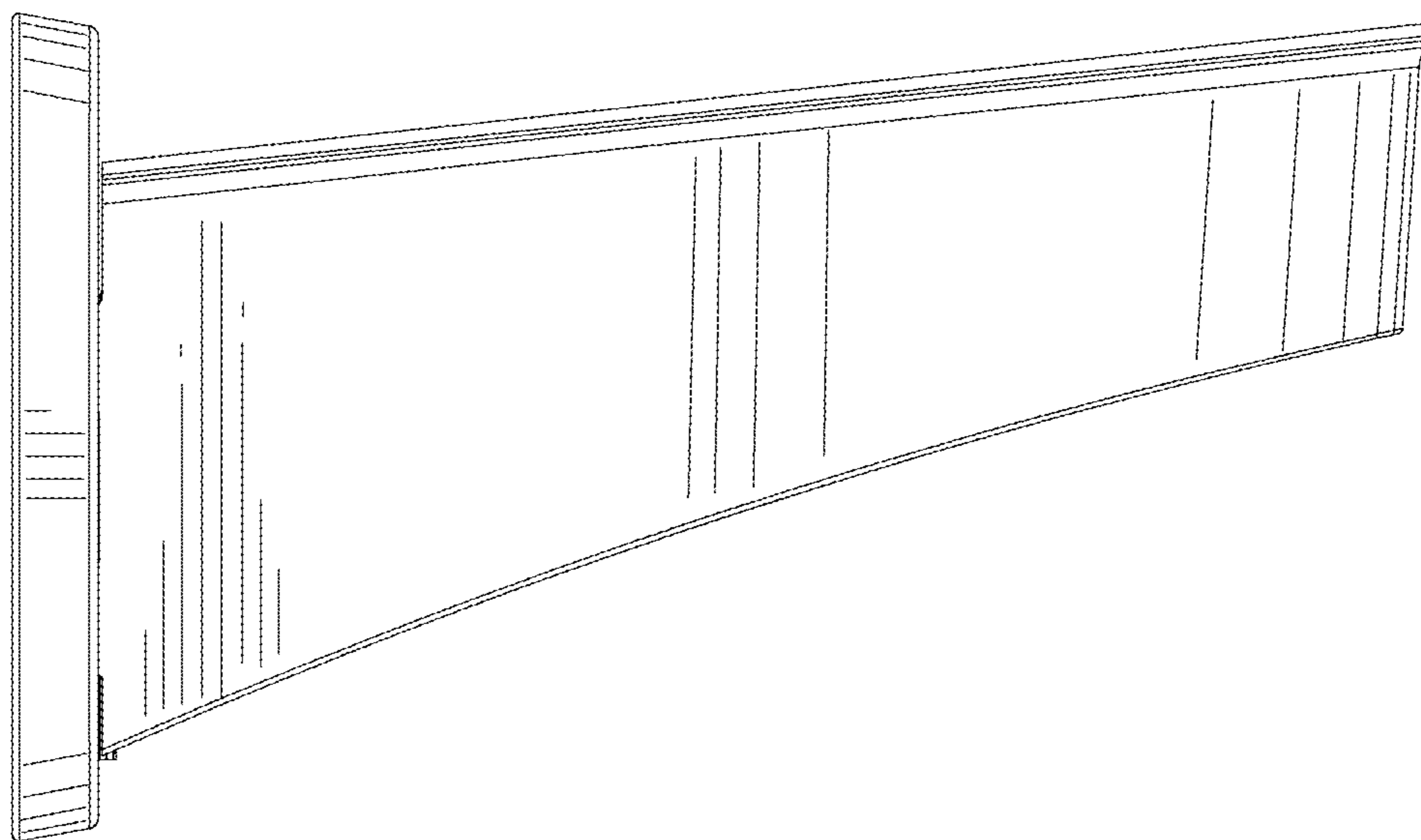


FIG. 6

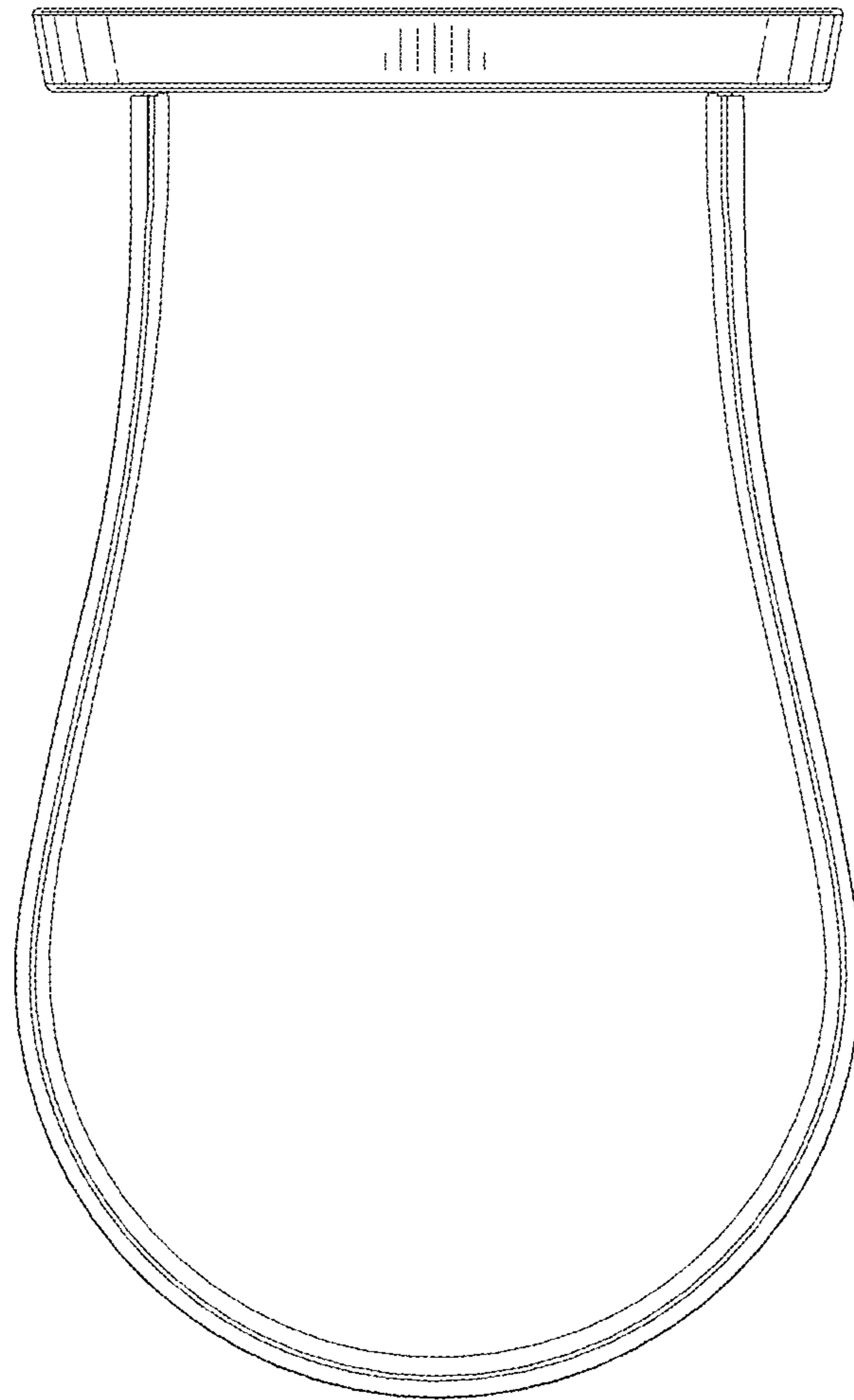


FIG. 7

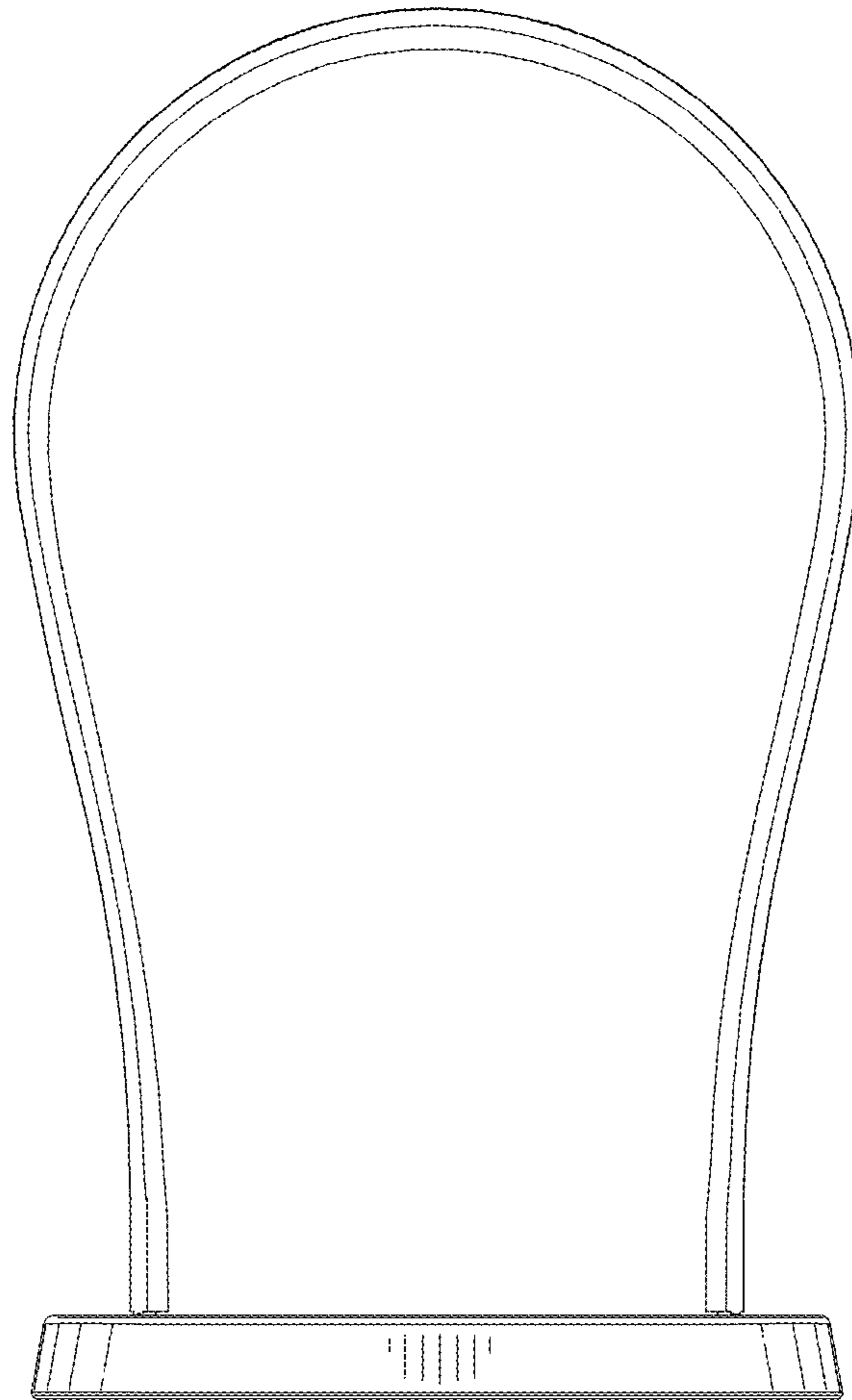


FIG. 8