



US00D889880S

(12) **United States Design Patent**  
**Jin**

(10) **Patent No.:** **US D889,880 S**

(45) **Date of Patent:** **\*\* Jul. 14, 2020**

(54) **RACK**

(71) Applicant: **Youquan Jin**, Shenzhen (CN)

(72) Inventor: **Youquan Jin**, Shenzhen (CN)

(\*\*) Term: **15 Years**

(21) Appl. No.: **29/728,681**

(22) Filed: **Mar. 20, 2020**

(51) **LOC (12) Cl.** ..... **06-04**

(52) **U.S. Cl.**  
USPC ..... **D6/546**

(58) **Field of Classification Search**  
USPC ..... D6/553, 518-524, 546-550; D8/300,  
D8/315, 370; 108/28-29; 211/13.1, 16,  
211/85.5, 86.01, 87.01, 88.04, 100, 105.1,  
211/105.2, 106, 106.1, 113, 123, 181.1,  
211/182-183; 242/570, 590, 595-598;  
248/175, 176.1, 200, 201, 205.1, 251,  
248/302, 309.1, 315  
CPC .... A47K 10/10; A47K 10/04; A47K 2201/02;  
A47K 2201/00; A47K 10/12; Y10S  
16/40; Y10S 16/41; Y10T 16/458; Y10T  
16/462; Y10T 16/513  
See application file for complete search history.

(56) **References Cited**

**U.S. PATENT DOCUMENTS**

D267,840 S 2/1983 Cohen  
D360,095 S 7/1995 Wang

D364,768 S \* 12/1995 Moon ..... D6/549  
D394,970 S 6/1998 Ho  
D540,597 S 4/2007 Hoernig  
D573,825 S \* 7/2008 Rubin ..... D6/546  
D599,567 S \* 9/2009 Kuo ..... D6/320  
D784,727 S \* 4/2017 Goodman ..... D6/513  
D812,929 S \* 3/2018 Garland ..... D6/549  
D880,895 S \* 4/2020 Wang ..... D6/553

\* cited by examiner

*Primary Examiner* — Wan Laymon  
*Assistant Examiner* — Mark Booker

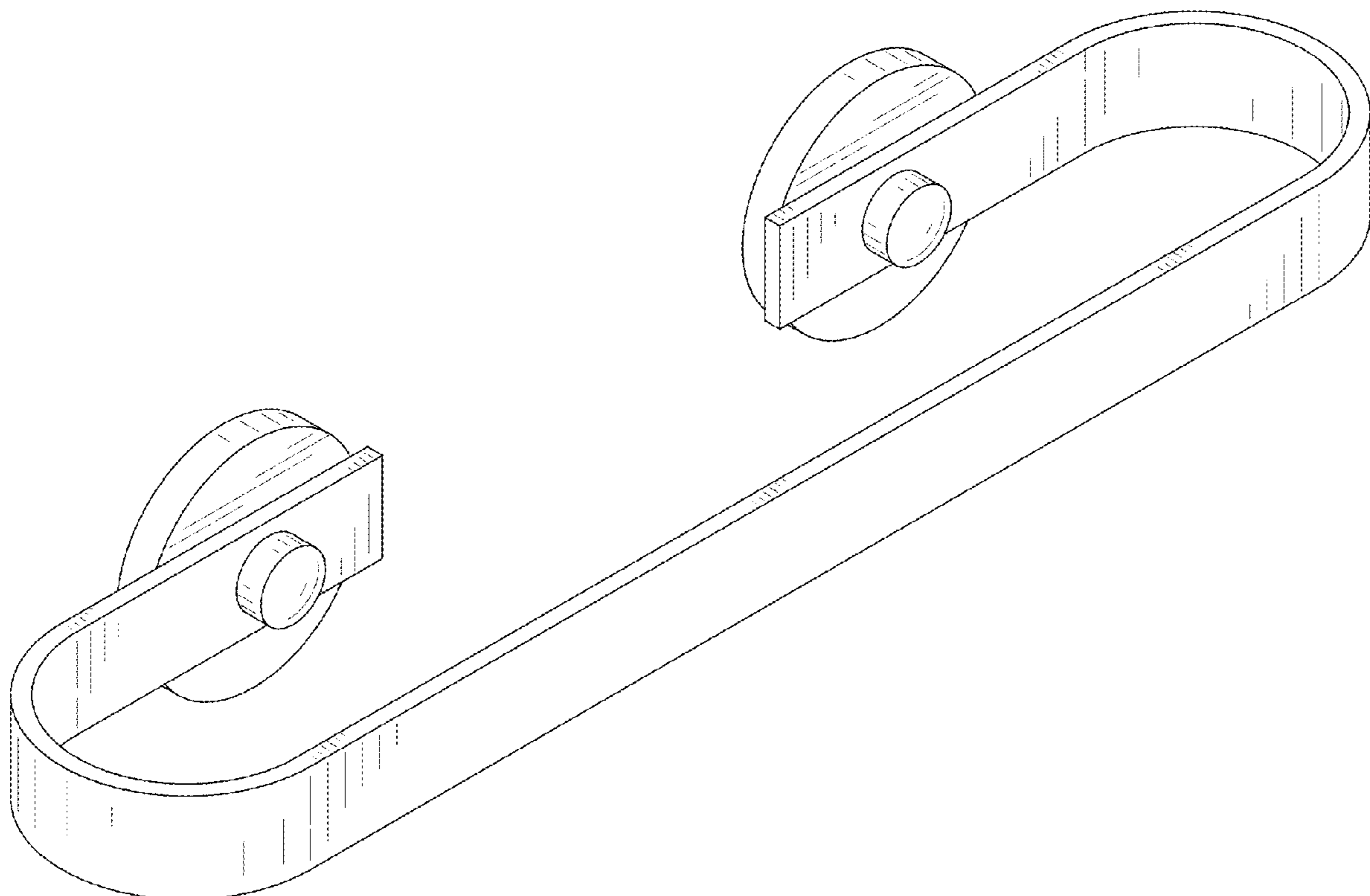
(57) **CLAIM**

The ornamental design for a rack, as shown and described.

**DESCRIPTION**

FIG. 1 is a perspective view of a rack showing my new design;  
FIG. 2 is a front elevational view thereof;  
FIG. 3 is a rear elevational view thereof;  
FIG. 4 is a left side elevational view thereof;  
FIG. 5 is a right side elevational view thereof;  
FIG. 6 is a top plan view thereof; and,  
FIG. 7 is a bottom plan view thereof.

**1 Claim, 7 Drawing Sheets**



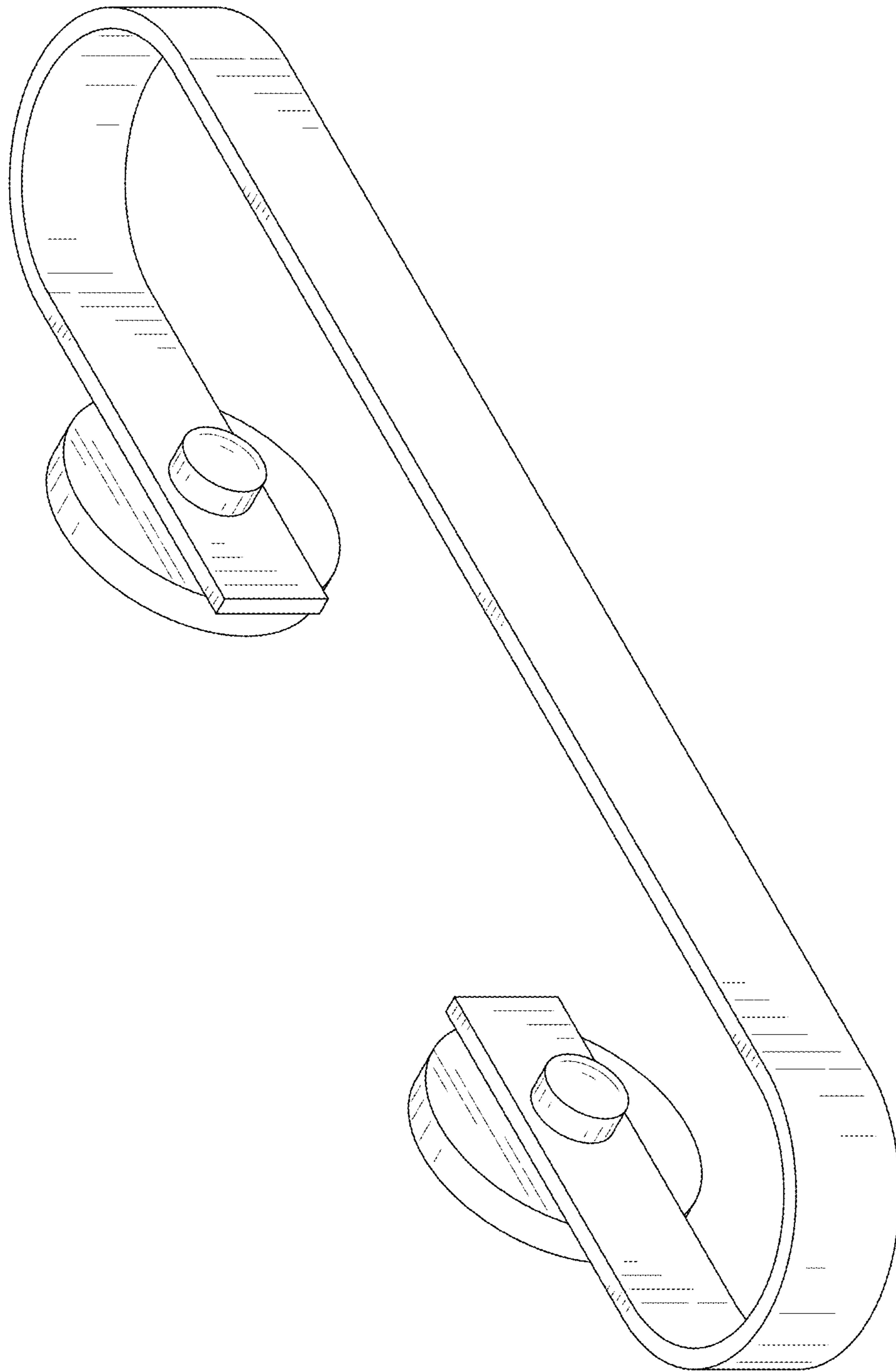


FIG. 1

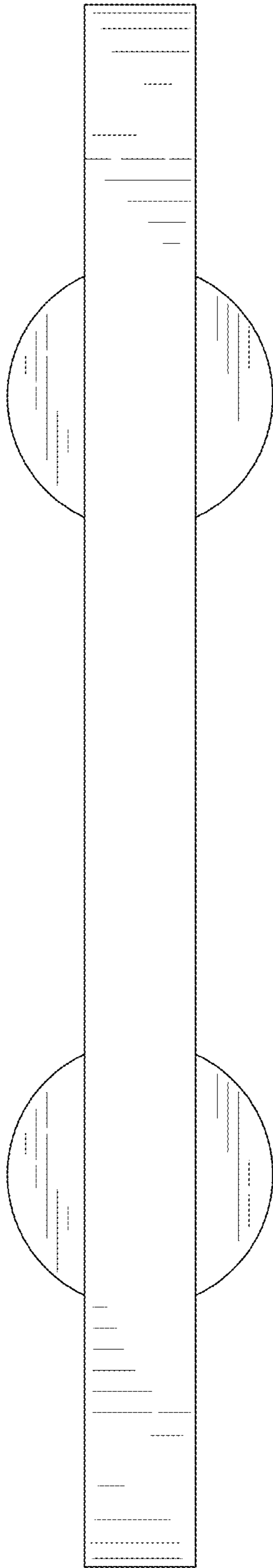


FIG. 2

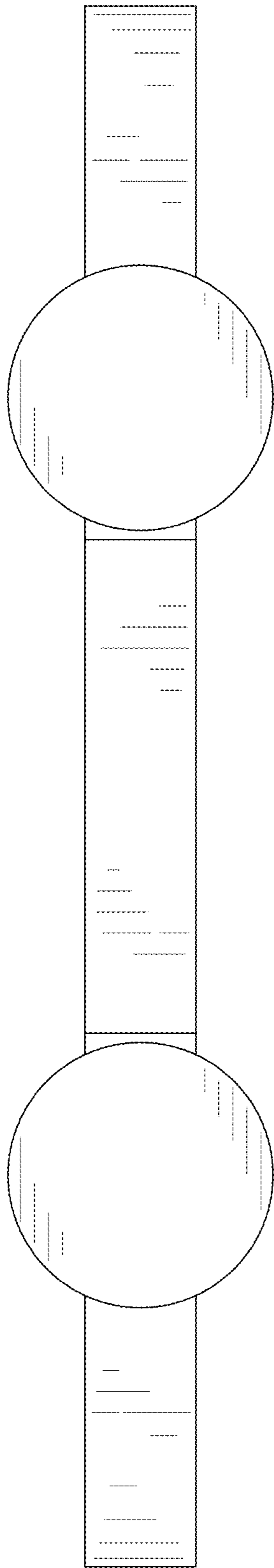


FIG. 3

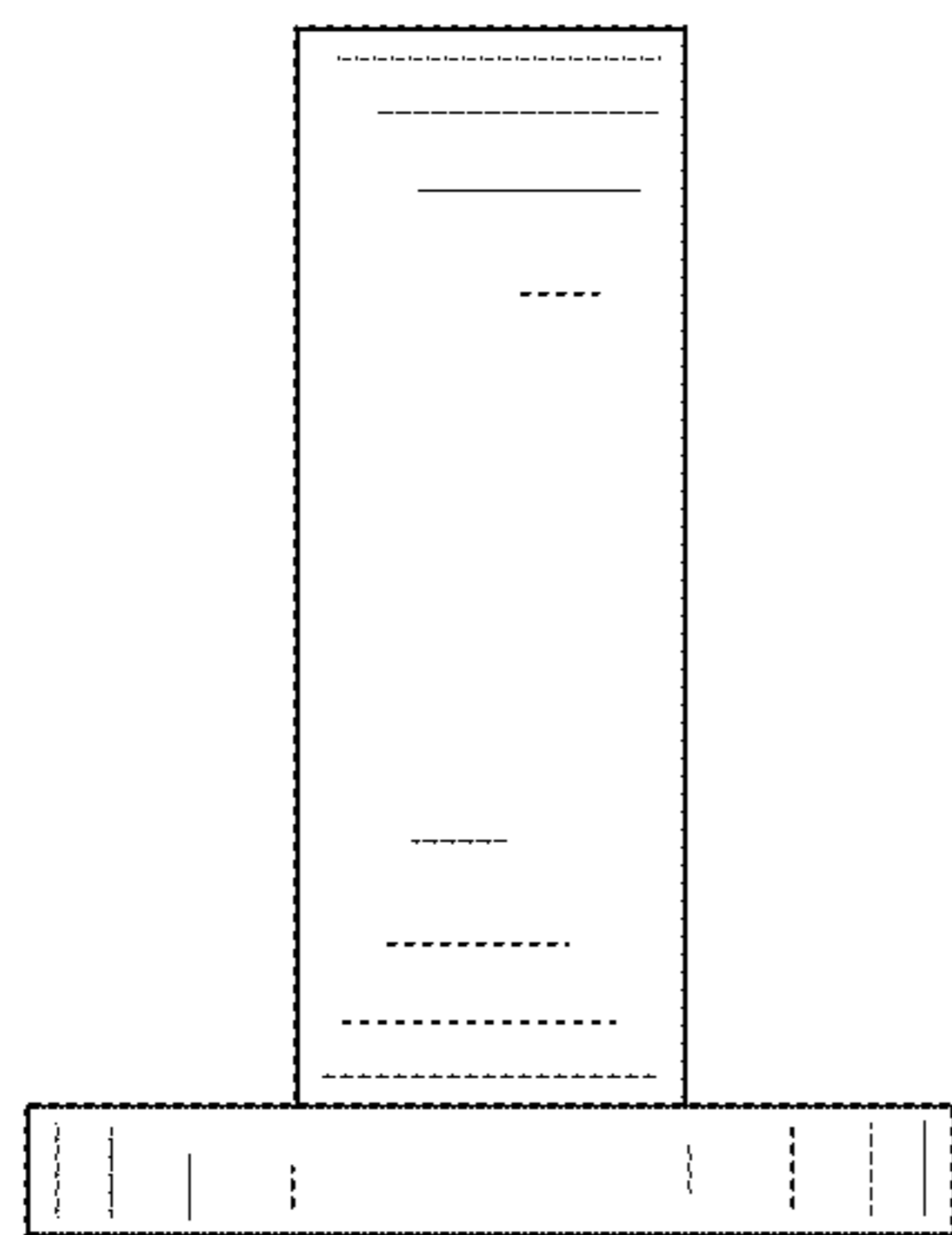


FIG. 4

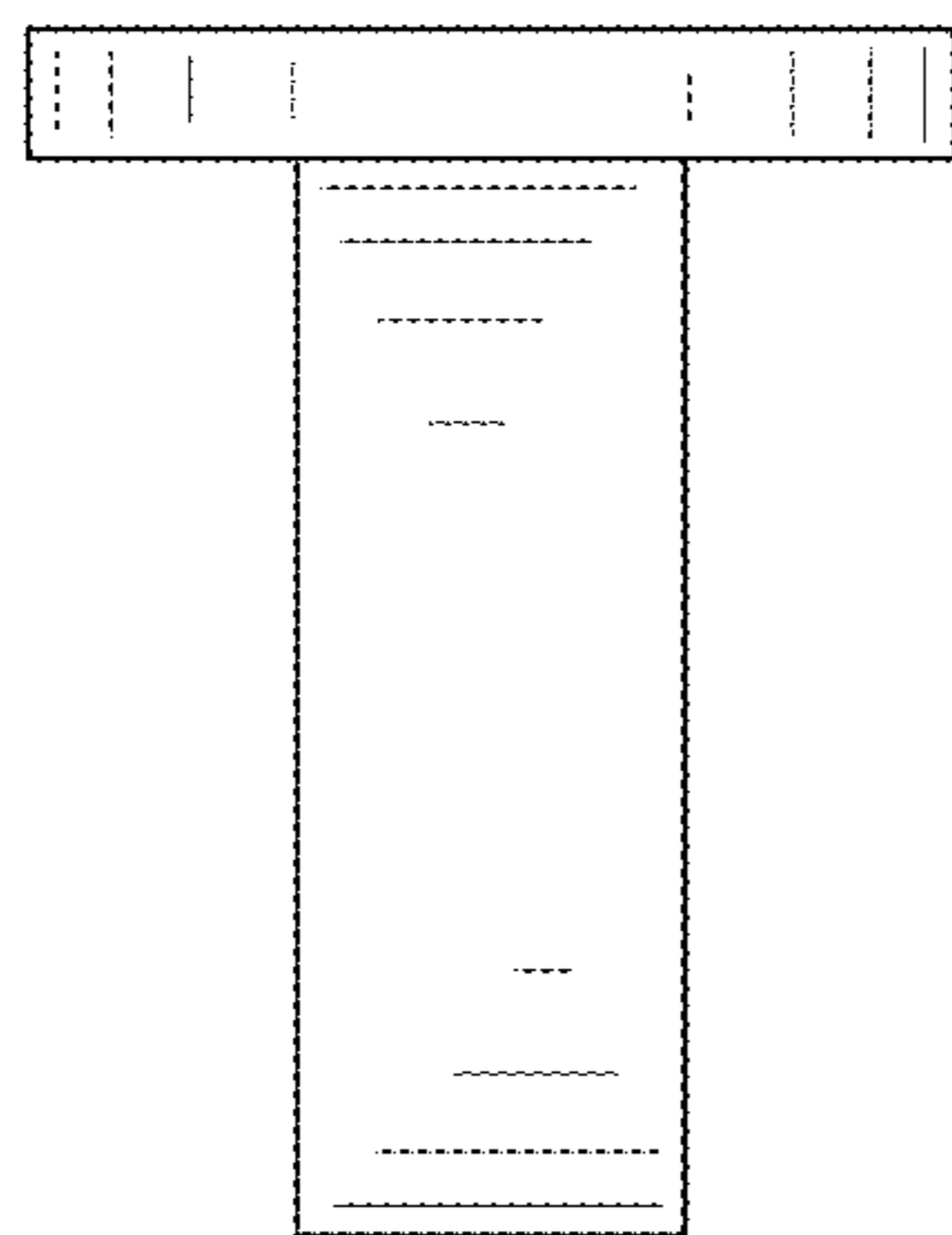


FIG. 5

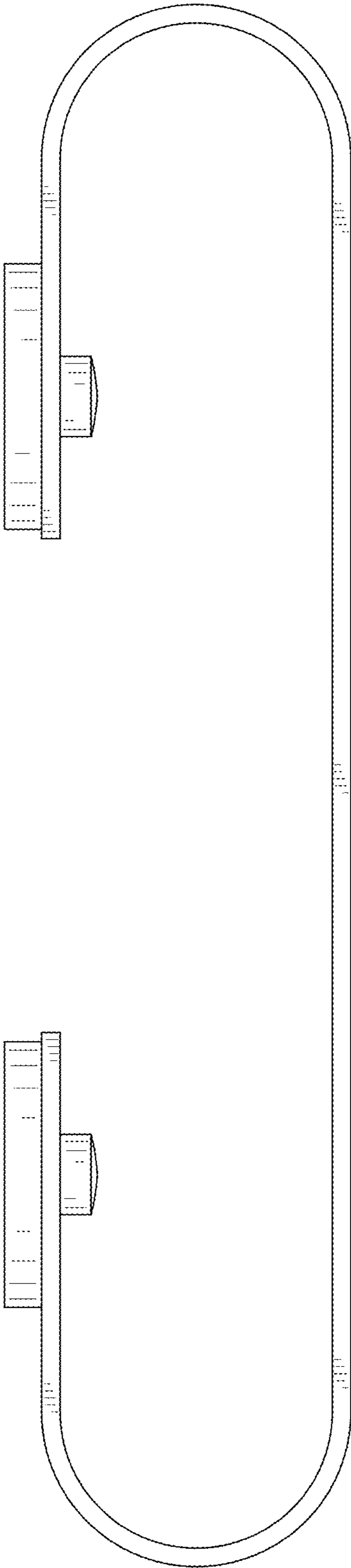


FIG. 6

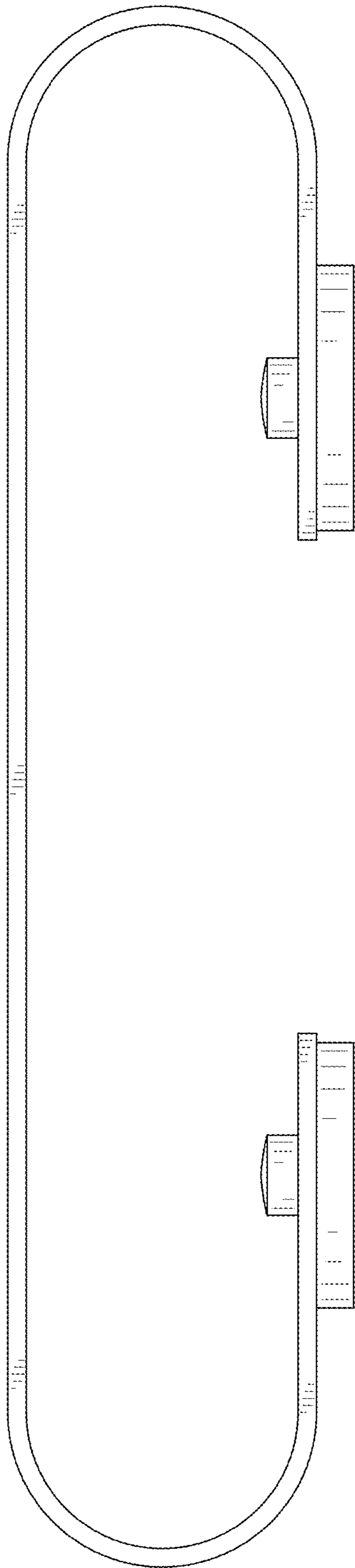


FIG. 7