



US00D889879S

(12) **United States Design Patent**  
**Klowan et al.**

(10) **Patent No.:** **US D889,879 S**  
(45) **Date of Patent:** **\*\* Jul. 14, 2020**

- (54) **SUCTION CUP SOAP HOLDER**
- (71) Applicant: **Kenney Manufacturing Company**,  
Warwick, RI (US)
- (72) Inventors: **Jeffrey Klowan**, Woonsocket, RI (US);  
**Timothy Elliott**, Attleboro, MA (US)
- (73) Assignee: **Kenney Manufacturing Company**,  
Warwick, RI (US)
- (\*\*) Term: **15 Years**
- (21) Appl. No.: **29/680,283**
- (22) Filed: **Feb. 14, 2019**
- (51) **LOC (12) Cl.** ..... **23-02**
- (52) **U.S. Cl.**  
USPC ..... **D6/540**
- (58) **Field of Classification Search**  
USPC ..... D6/540, 529, 532, 536, 539, 708.18;  
D7/502, 550.1, 554.2; D30/121, 128,  
D30/130, 132, 133; 108/154, 155;  
206/557, 823  
CPC ... A47K 5/03; A47K 5/02; A47K 5/04; A47K  
5/05; A47K 7/03; A45D 27/16  
See application file for complete search history.

(56) **References Cited**

**U.S. PATENT DOCUMENTS**

- D266,635 S \* 10/1982 Fleischmann ..... D6/540
- D346,928 S \* 5/1994 Shames ..... D6/540
- D425,350 S \* 5/2000 Roth ..... D6/540

(Continued)

**OTHER PUBLICATIONS**

Amazon.com, OXO Good Grips Suction Cup Soap Dish, date unknown, 10 pages.

(Continued)

*Primary Examiner* — Wan Laymon

*Assistant Examiner* — Mark Booker  
(74) *Attorney, Agent, or Firm* — Alder, Pollock & Sheehan PC

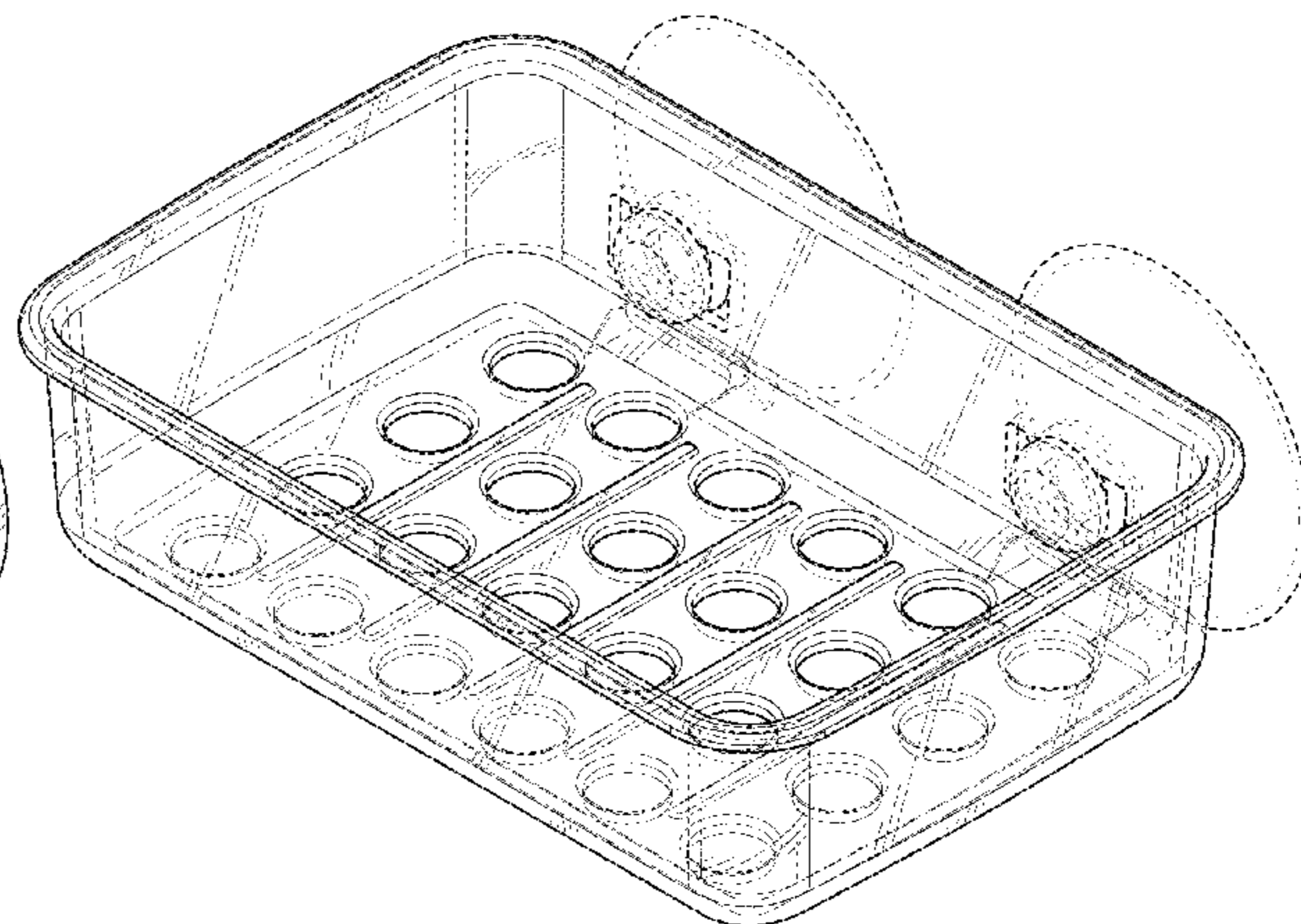
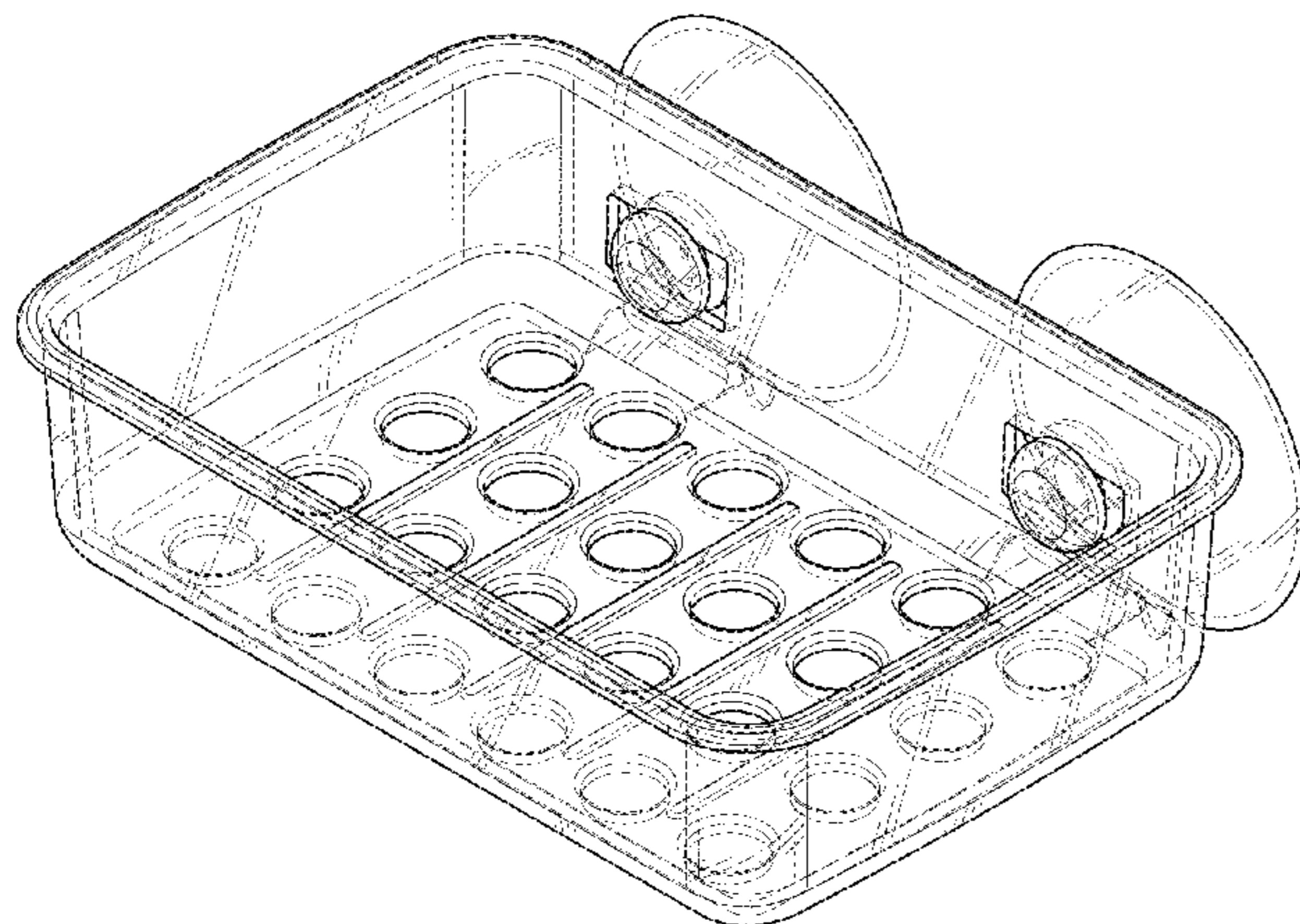
(57) **CLAIM**

The ornamental design for a suction cup soap holder, as shown and described.

**DESCRIPTION**

FIG. 1 is a perspective view of the suction cup soap holder according to our new design;  
 FIG. 2 is a front view of the embodiment illustrated in FIG. 1;  
 FIG. 3 is a back view of the embodiment illustrated in FIG. 1;  
 FIG. 4 is a side view of the embodiment illustrated in FIG. 1;  
 FIG. 5 is an opposite side view of the embodiment illustrated in FIG. 1;  
 FIG. 6 is a top view of the embodiment illustrated in FIG. 1;  
 FIG. 7 is a bottom view of the embodiment illustrated in FIG. 1;  
 FIG. 8 is another perspective view of a suction cup soap holder according to our new design;  
 FIG. 9 is a front view of the embodiment illustrated in FIG. 8;  
 FIG. 10 is a back view of the embodiment illustrated in FIG. 8;  
 FIG. 11 is a side view of the embodiment illustrated in FIG. 8;  
 FIG. 12 is an opposite side view of the embodiment illustrated in FIG. 8;  
 FIG. 13 is a top view of the embodiment illustrated in FIG. 8; and,  
 FIG. 14 is a bottom view of the embodiment illustrated in FIG. 8.  
 The broken lines shown in the figures represent portions of the suction cup soap holder that form no part of the claimed design.

**1 Claim, 14 Drawing Sheets**



(56)

**References Cited**

U.S. PATENT DOCUMENTS

D478,232 S \* 8/2003 Dretzka ..... D6/536  
D498,103 S \* 11/2004 Dretzka ..... D6/536  
D599,596 S \* 9/2009 Ghiorghie ..... D6/536  
D625,943 S \* 10/2010 Yang ..... D6/536

OTHER PUBLICATIONS

InterDesign 59060 Contour Sink Saver, 13.97×15.94 in, PVC, Clear  
Suction Soap Dish, date unknown, 5 pages.

\* cited by examiner

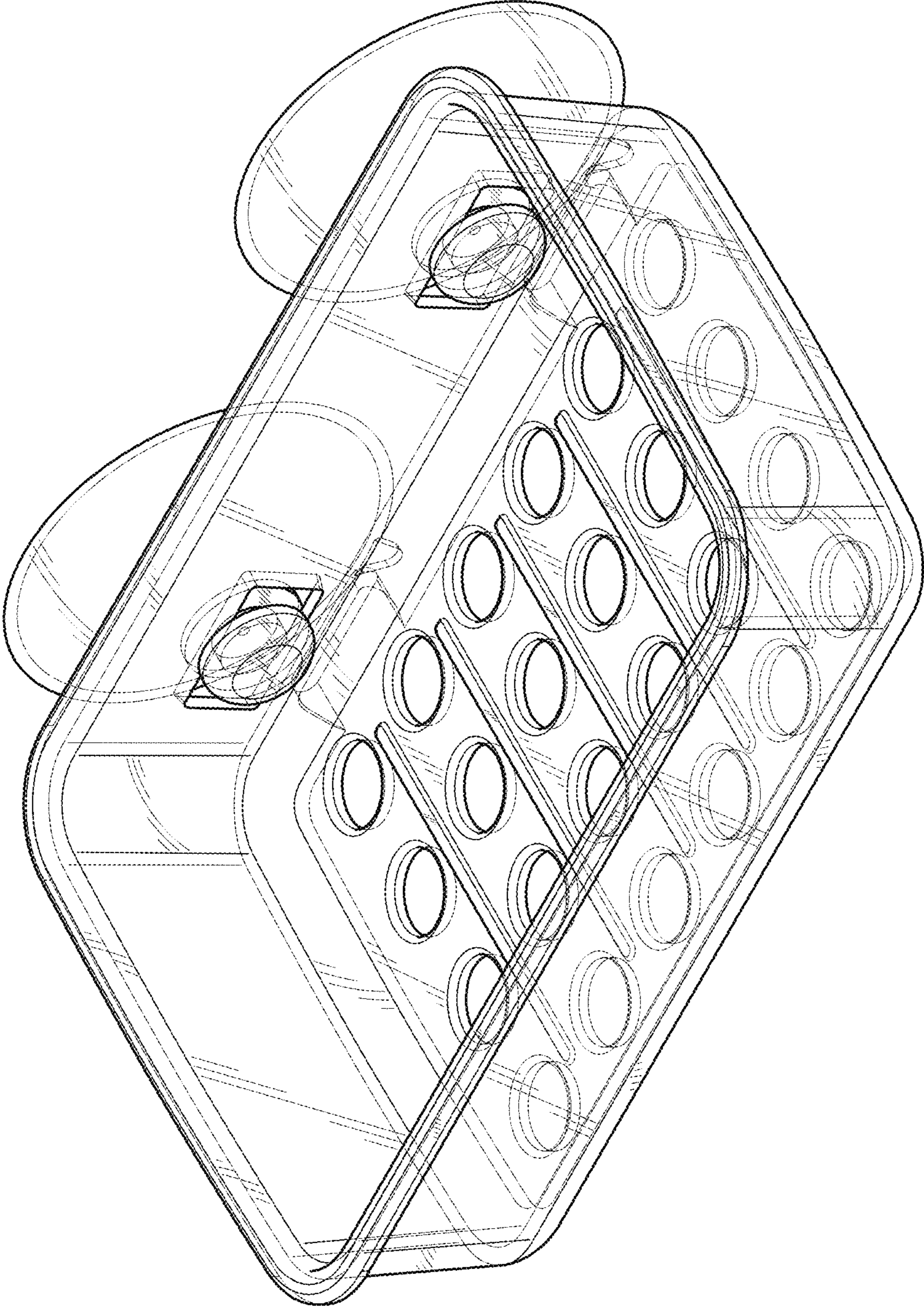


FIG. 1

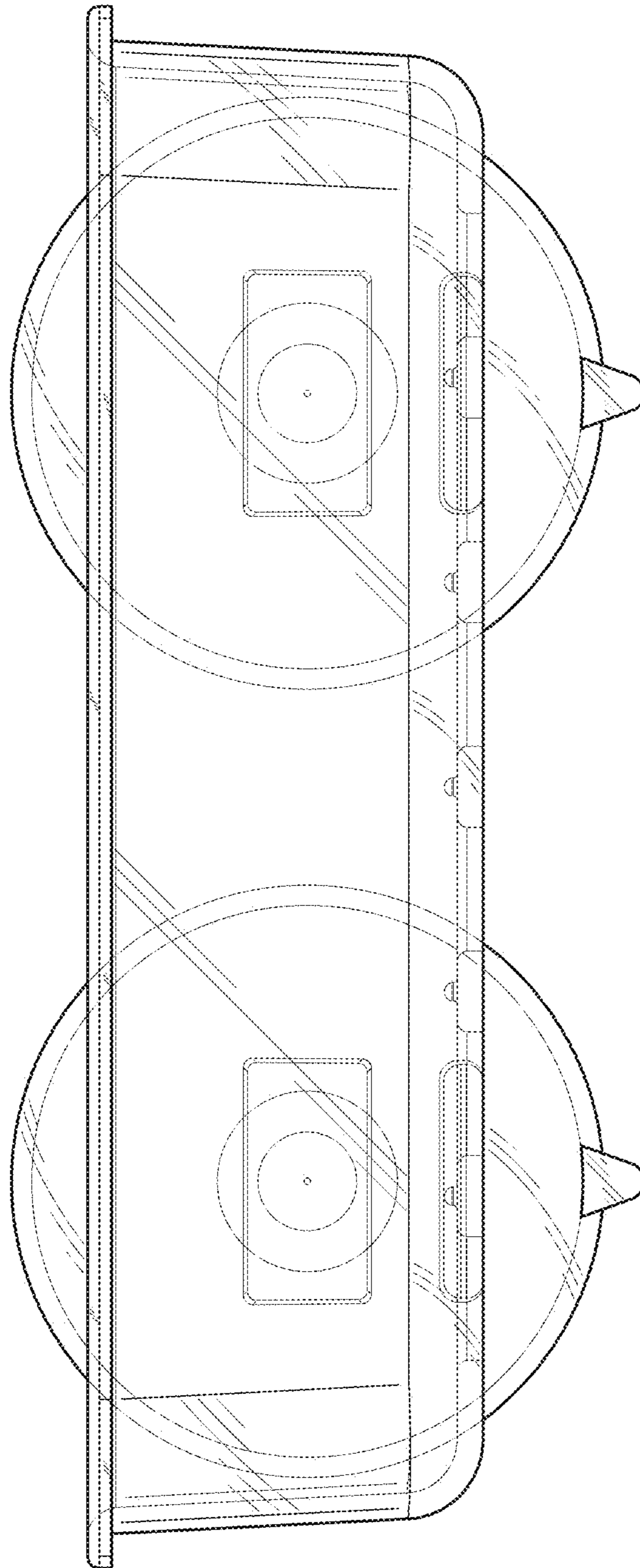


FIG. 2

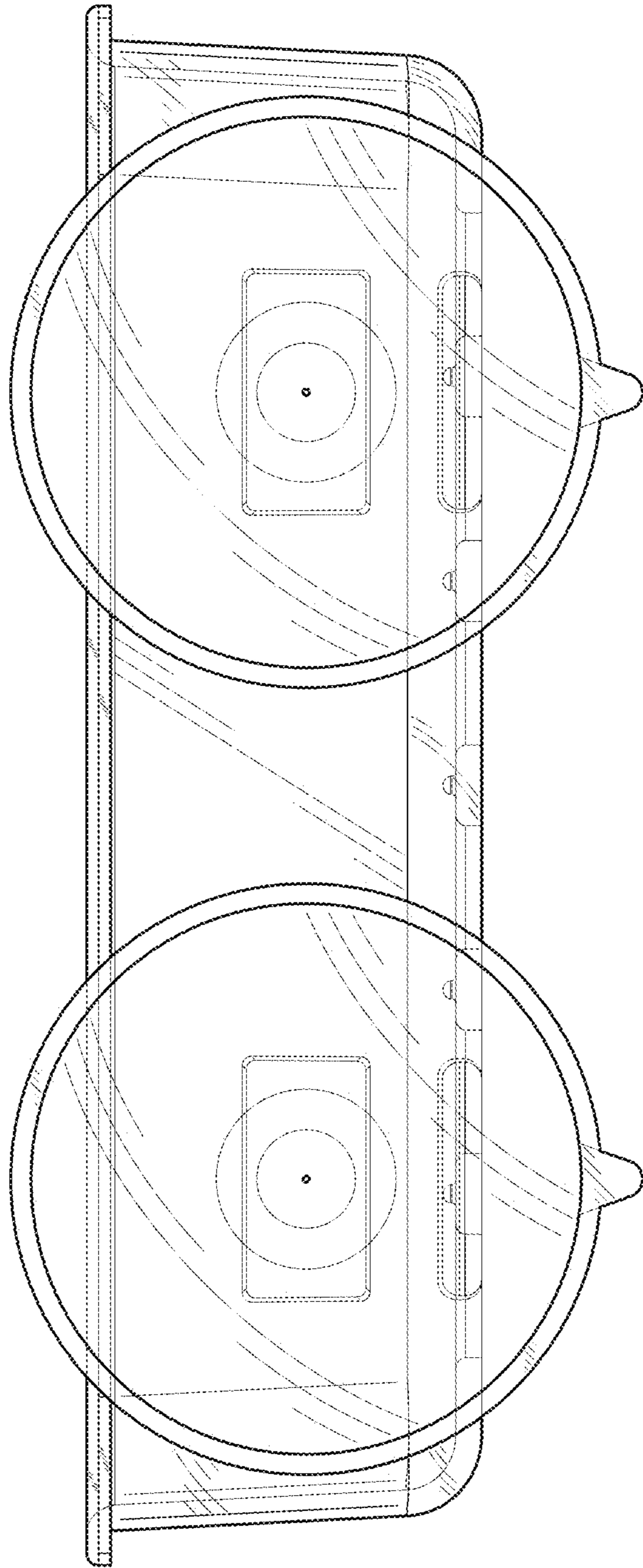


FIG. 3

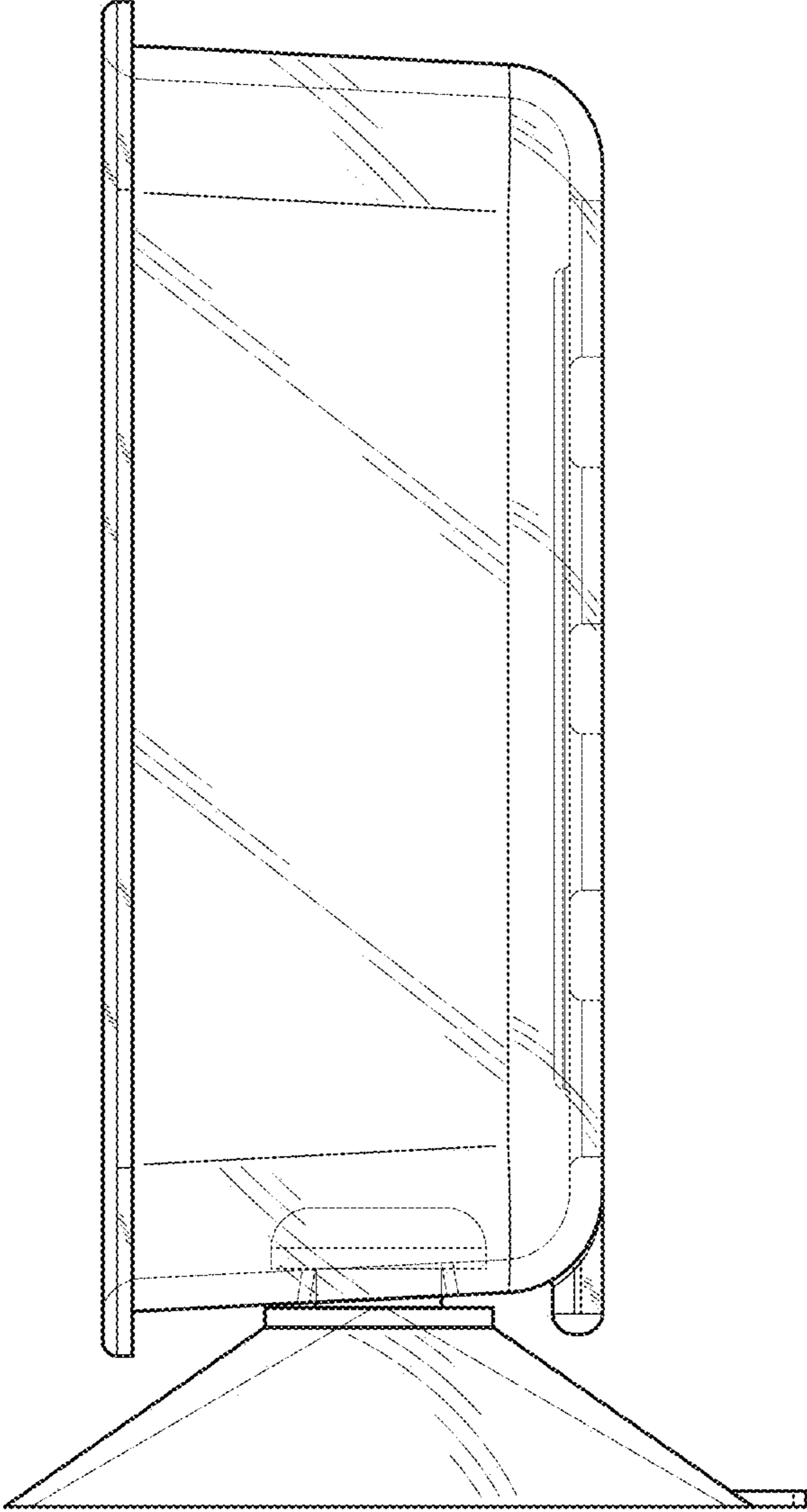


FIG. 4

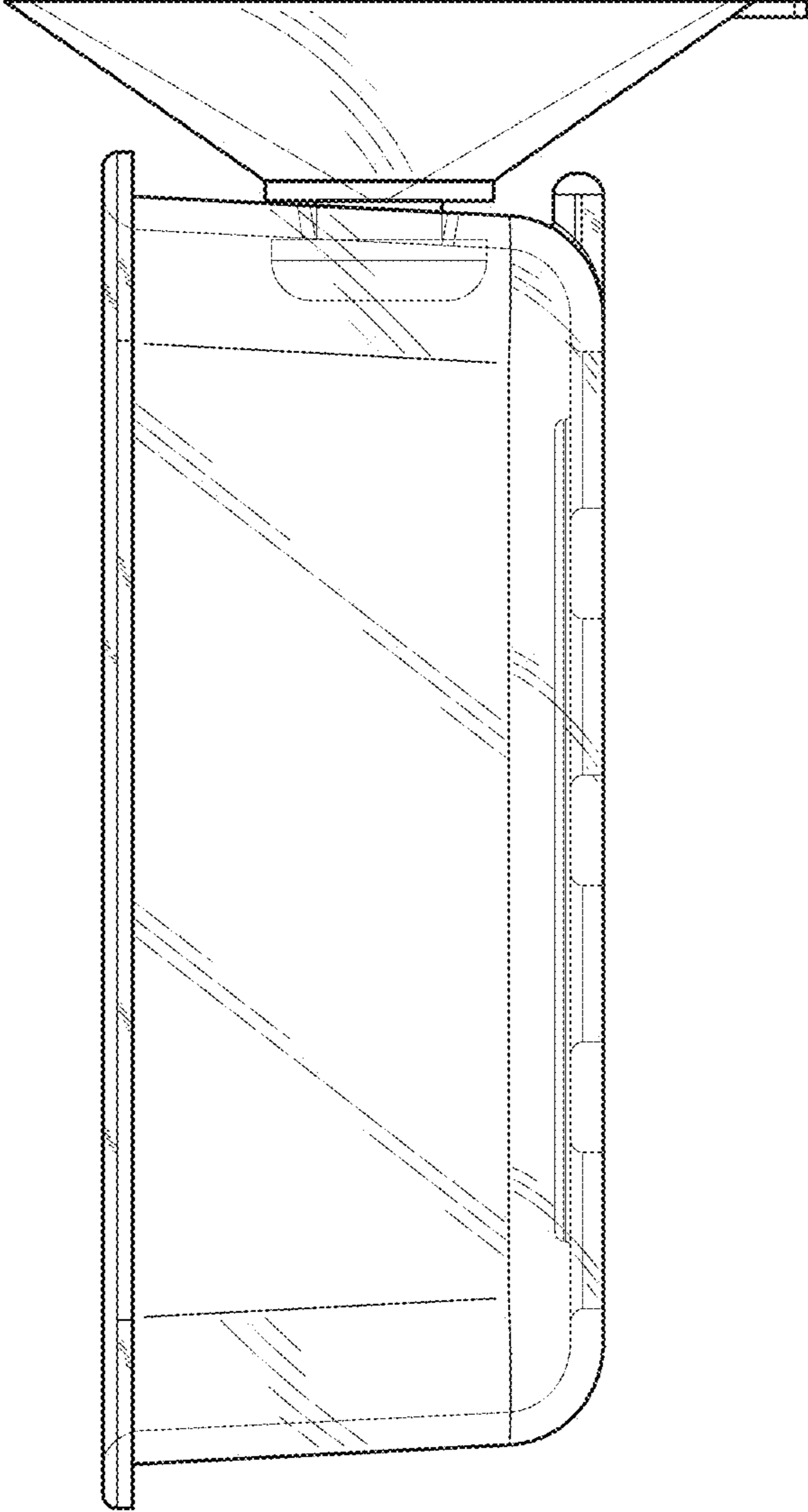


FIG. 5

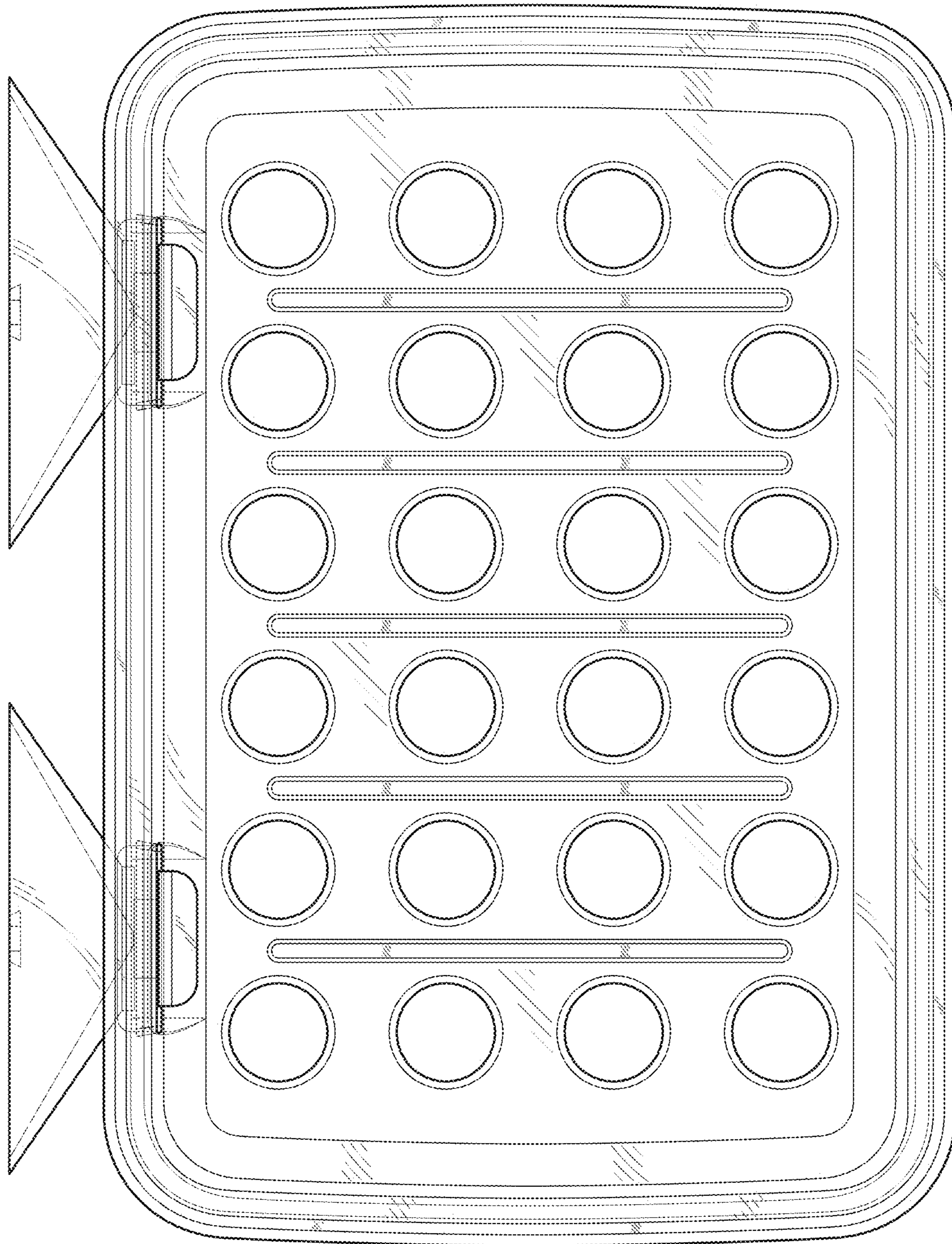


FIG. 6



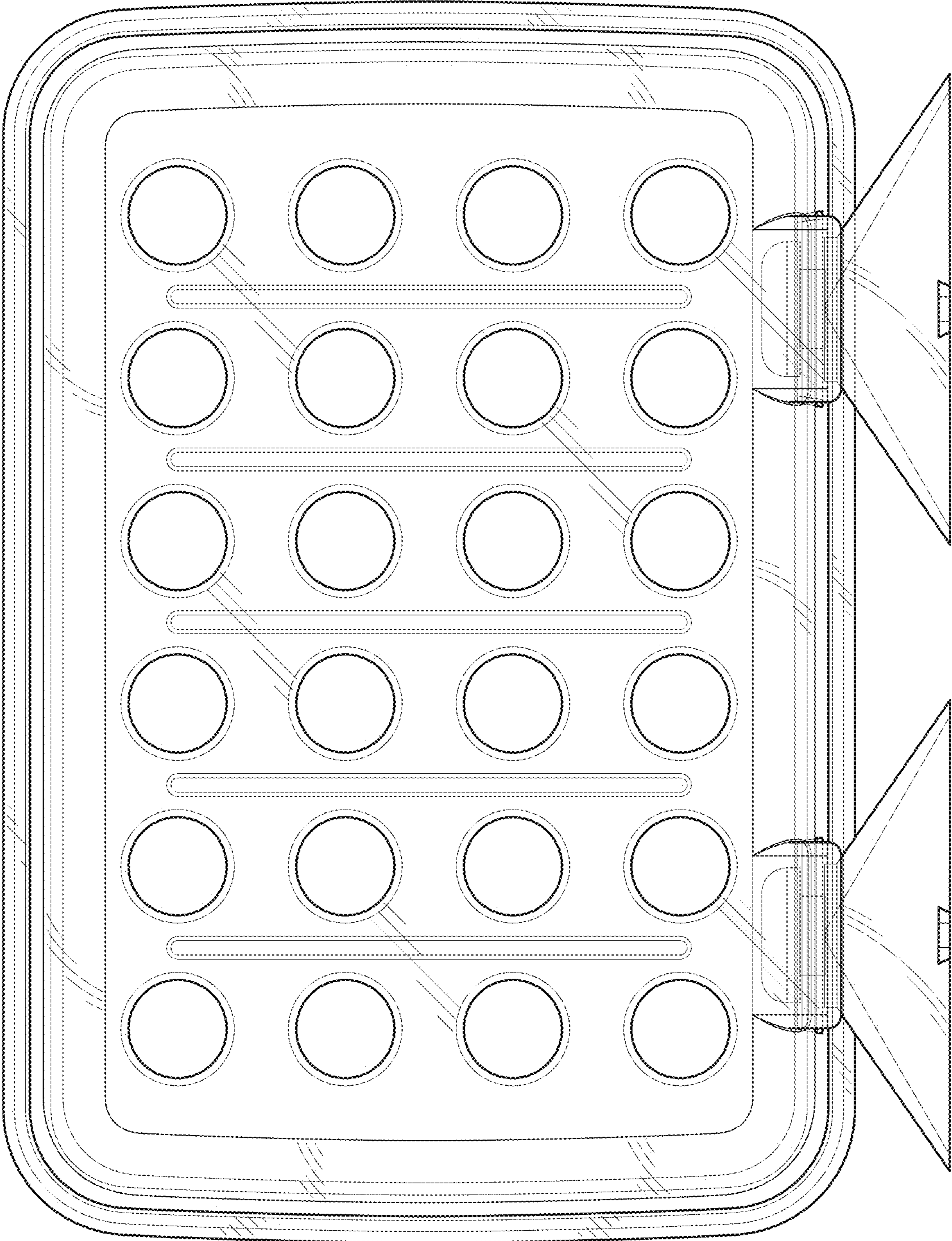


FIG. 7

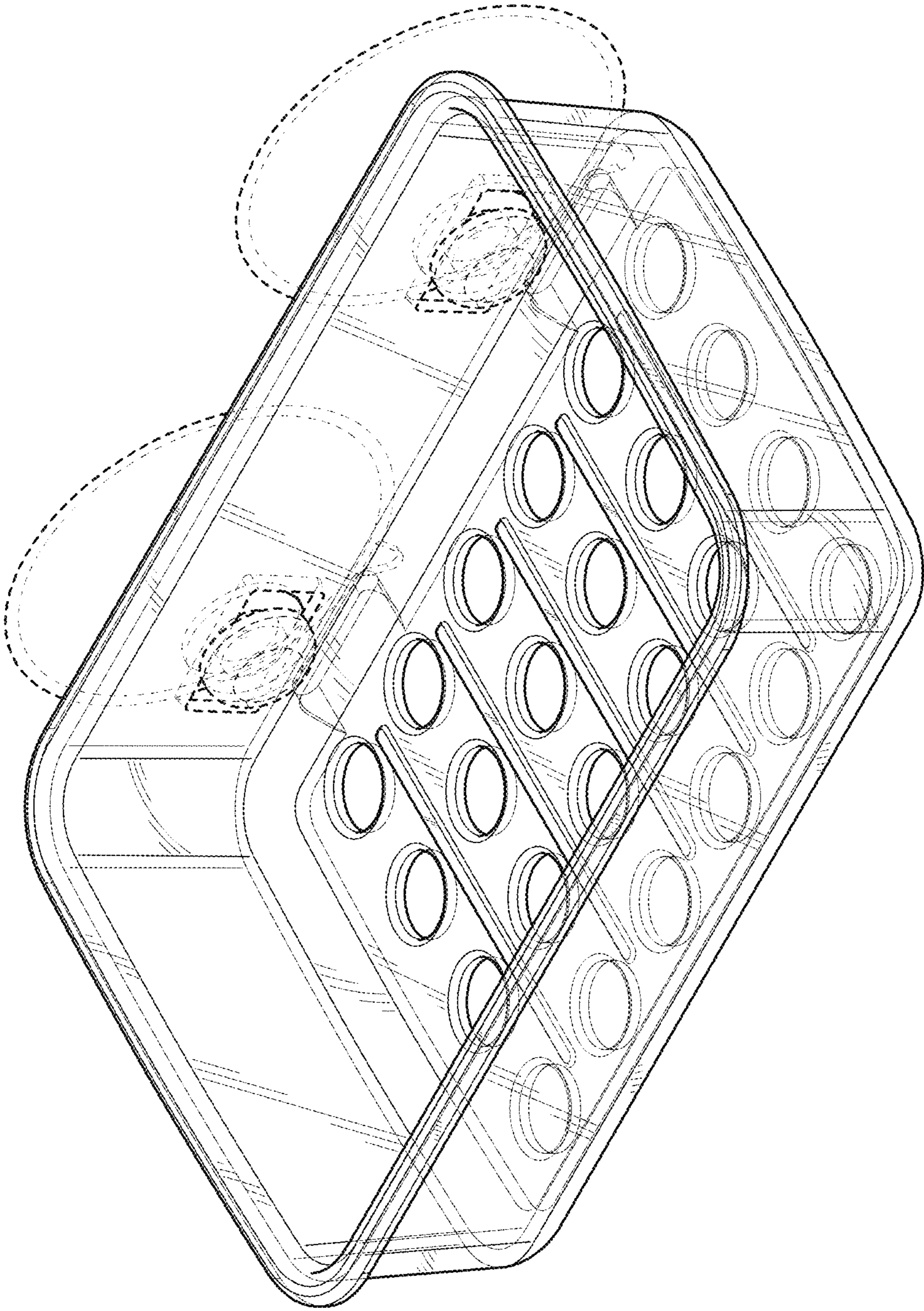


FIG. 8

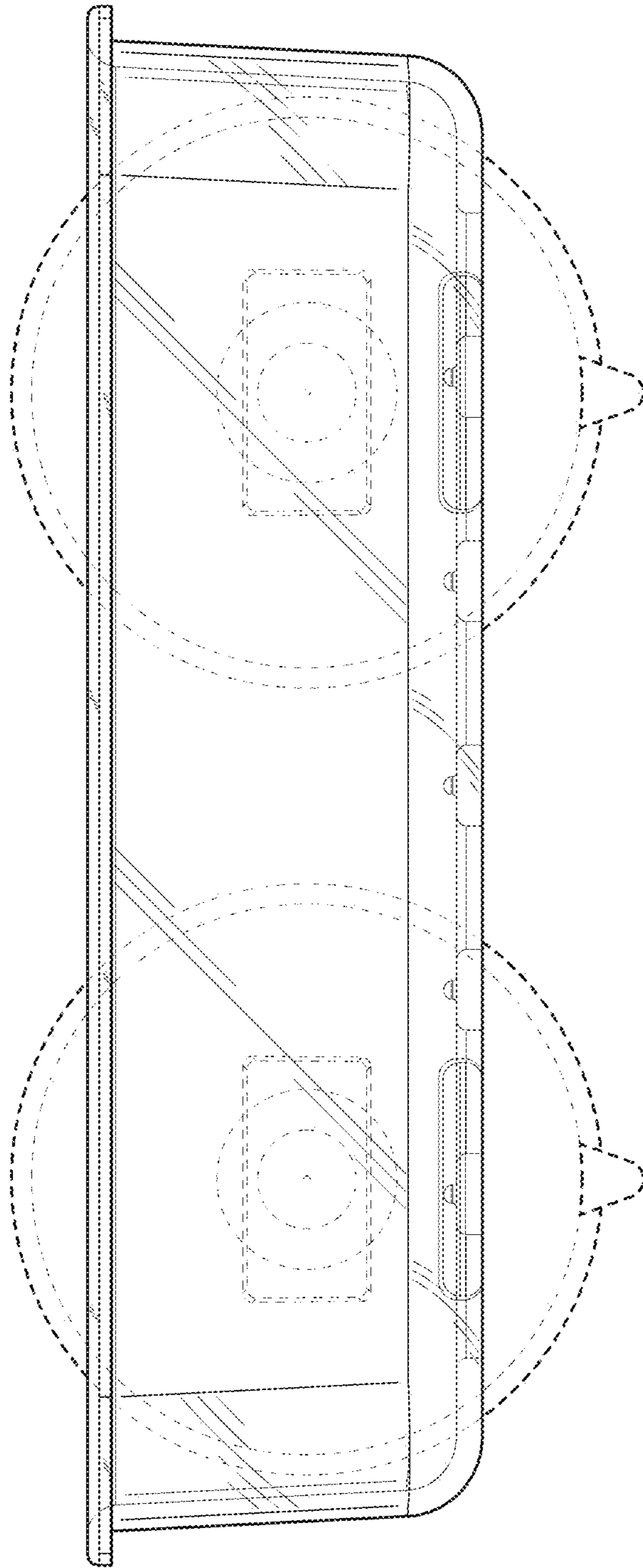


FIG. 9

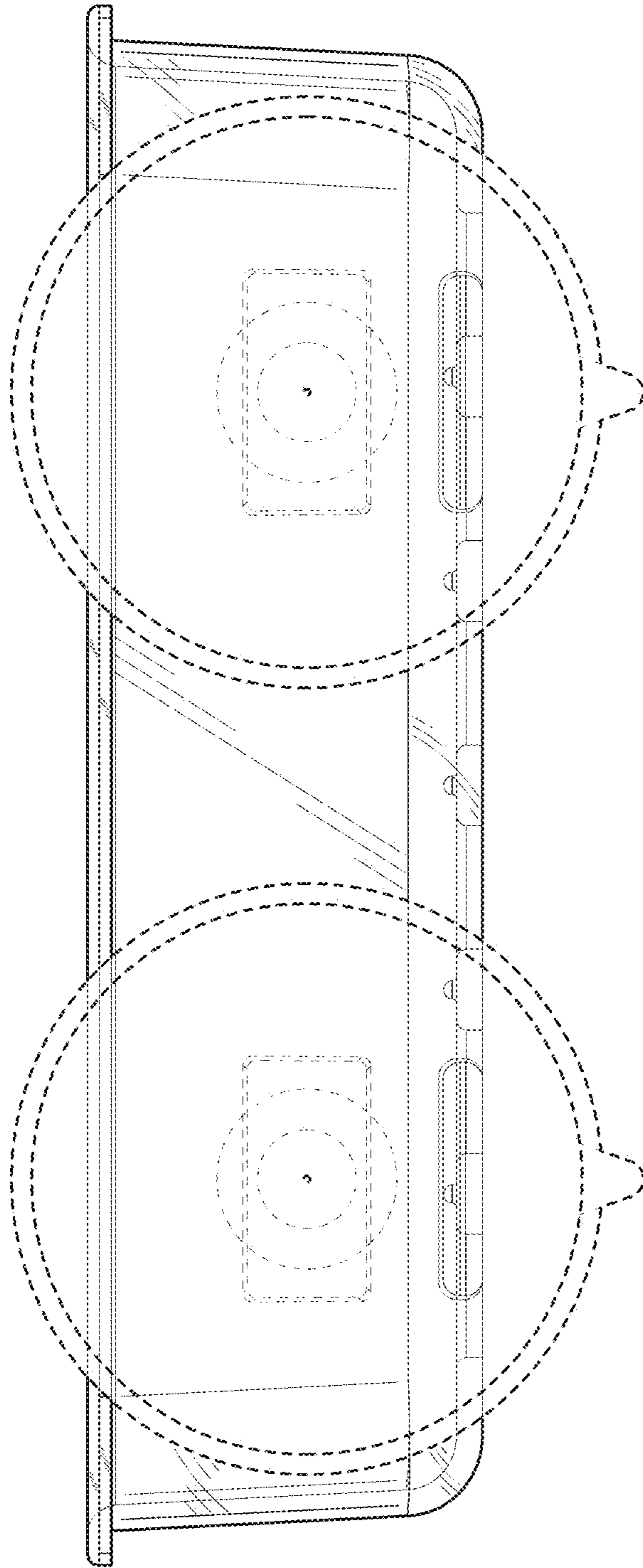


FIG. 10

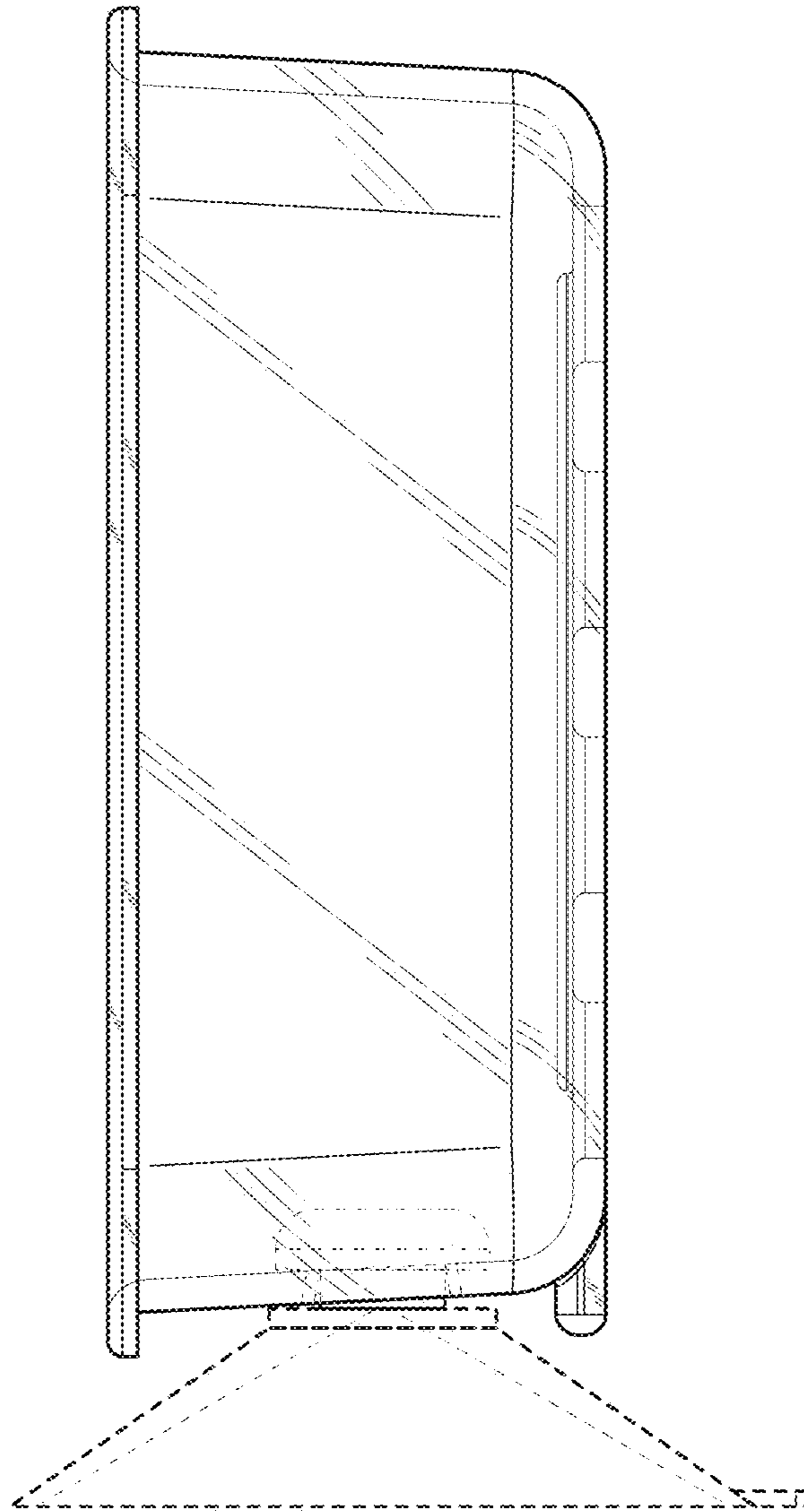


FIG. 11

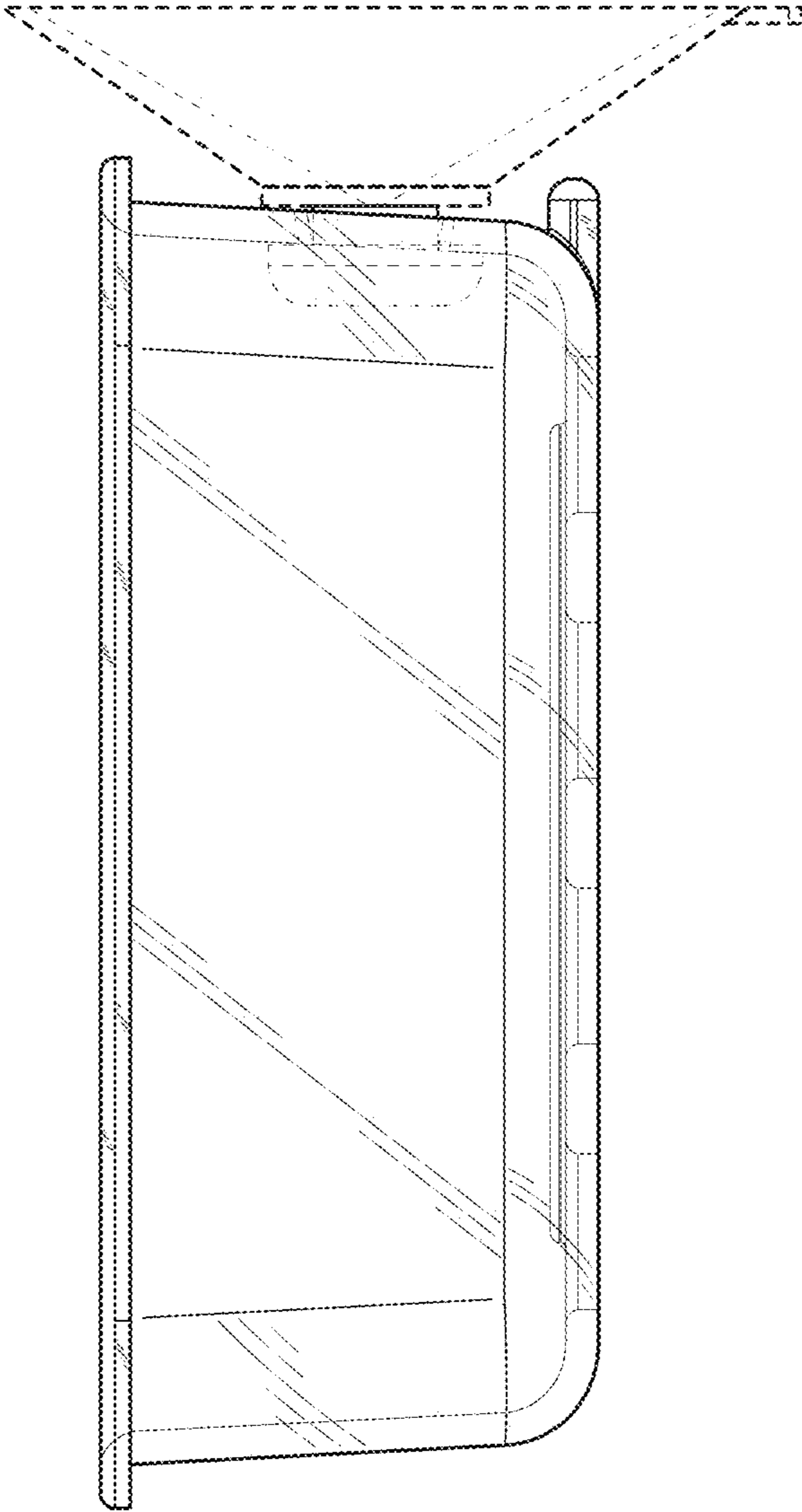


FIG. 12

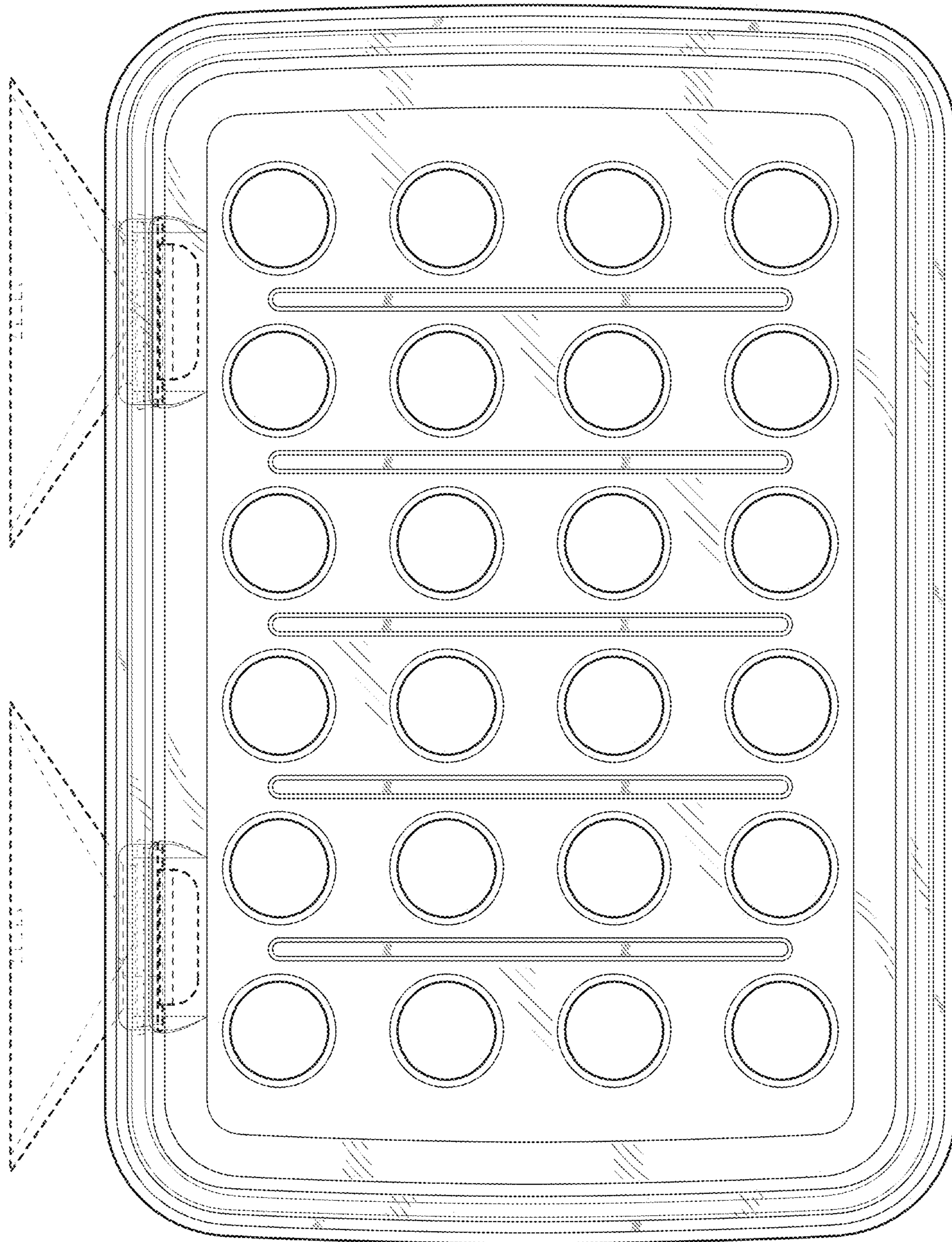


FIG. 13

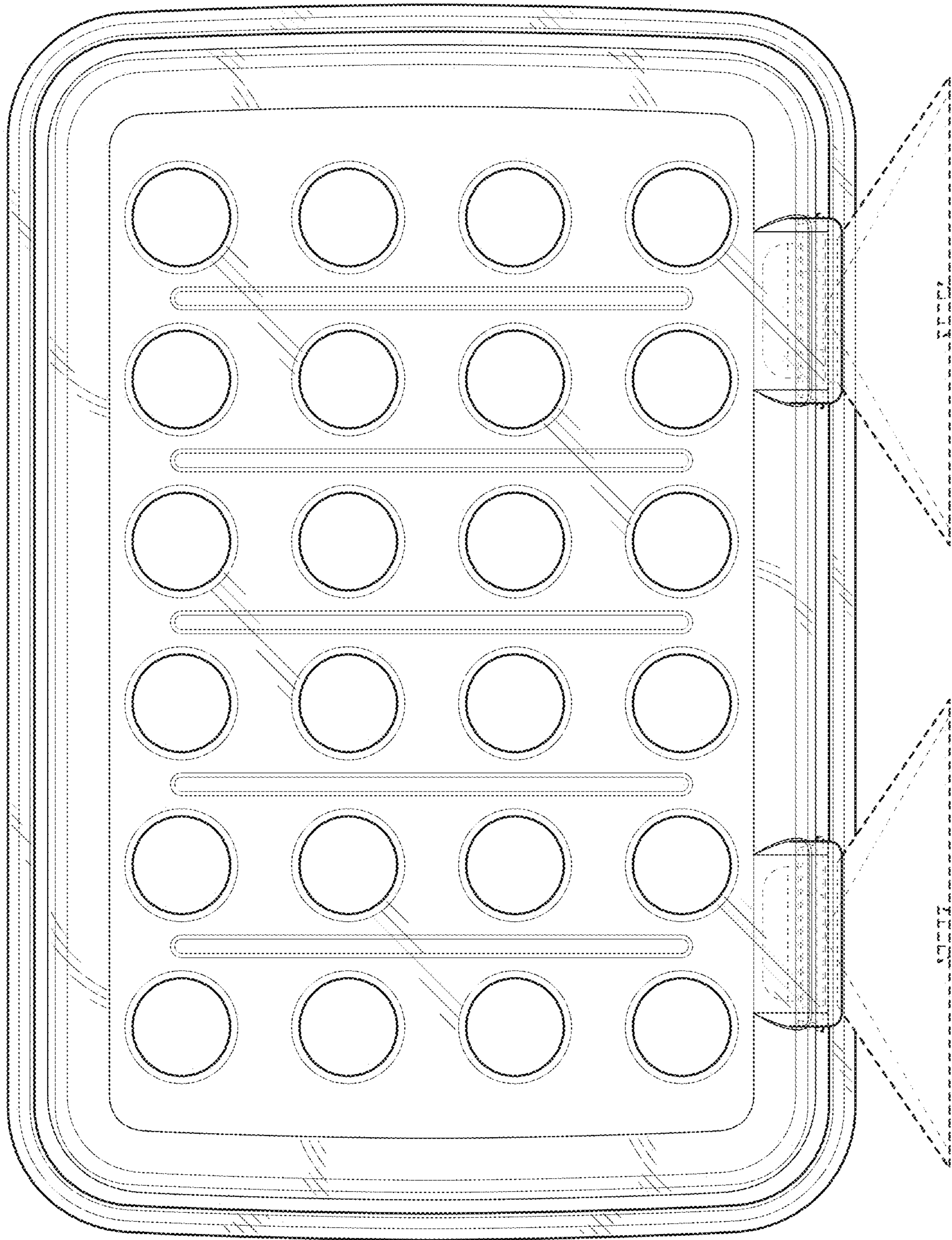


FIG. 14