



US00D889876S

(12) **United States Design Patent**
Wihlborg

(10) **Patent No.:** **US D889,876 S**

(45) **Date of Patent:** **** Jul. 14, 2020**

(54) **SOFA**

(71) Applicant: **Inter IKEA Systems B.V.**, LN Delft
(NL)

(72) Inventor: **Ola Wihlborg**, Älmhult (SE)

(73) Assignee: **INTER IKEA SYSTEMS B.V.**, Delft
(NL)

(**) Term: **15 Years**

(21) Appl. No.: **29/694,906**

(22) Filed: **Jun. 14, 2019**

(30) **Foreign Application Priority Data**

Jan. 11, 2019 (EM) 005993557-0001

(51) **LOC (12) Cl.** **06-01**

(52) **U.S. Cl.**
USPC **D6/376; D6/370; D6/381**

(58) **Field of Classification Search**
USPC **D6/334, 369, 370, 376, 381**
CPC **A47C 5/043; A47C 5/06; A47C 17/02**
See application file for complete search history.

(56) **References Cited**

U.S. PATENT DOCUMENTS

D178,506 S * 8/1956 Duer D6/334
D179,836 S * 3/1957 Bresch D30/118
2,897,880 A * 8/1959 Panicci A47C 5/06
297/411.41
D268,465 S * 4/1983 Bergquist D6/369
D282,700 S * 2/1986 Arthur, Jr. D6/373

D282,703 S * 2/1986 Allen D6/370
D330,465 S * 10/1992 Balmori D6/369
D342,167 S * 12/1993 Hess D6/370
D406,700 S * 3/1999 Slear D6/370
D513,889 S * 1/2006 Peterson D6/334
7,188,380 B1 * 3/2007 Wang A47C 11/00
5/279.1
D579,228 S * 10/2008 Camp, Jr. D6/381
D600,466 S * 9/2009 Cramer D6/381
D602,706 S * 10/2009 Cramer D6/334
D659,422 S * 5/2012 Soto D6/370
D784,036 S * 4/2017 Ruitter D6/370
D829,015 S * 9/2018 Cazzaniga D6/369
D831,370 S * 10/2018 Massaud D6/381
D836,932 S * 1/2019 Starck D6/370
D844,340 S * 4/2019 Zhao D6/370
D863,804 S * 10/2019 Foersom D6/372
D869,184 S * 12/2019 Lucidi D6/370

* cited by examiner

Primary Examiner — Cathron C Brooks

(74) *Attorney, Agent, or Firm* — Tucker Ellis LLP

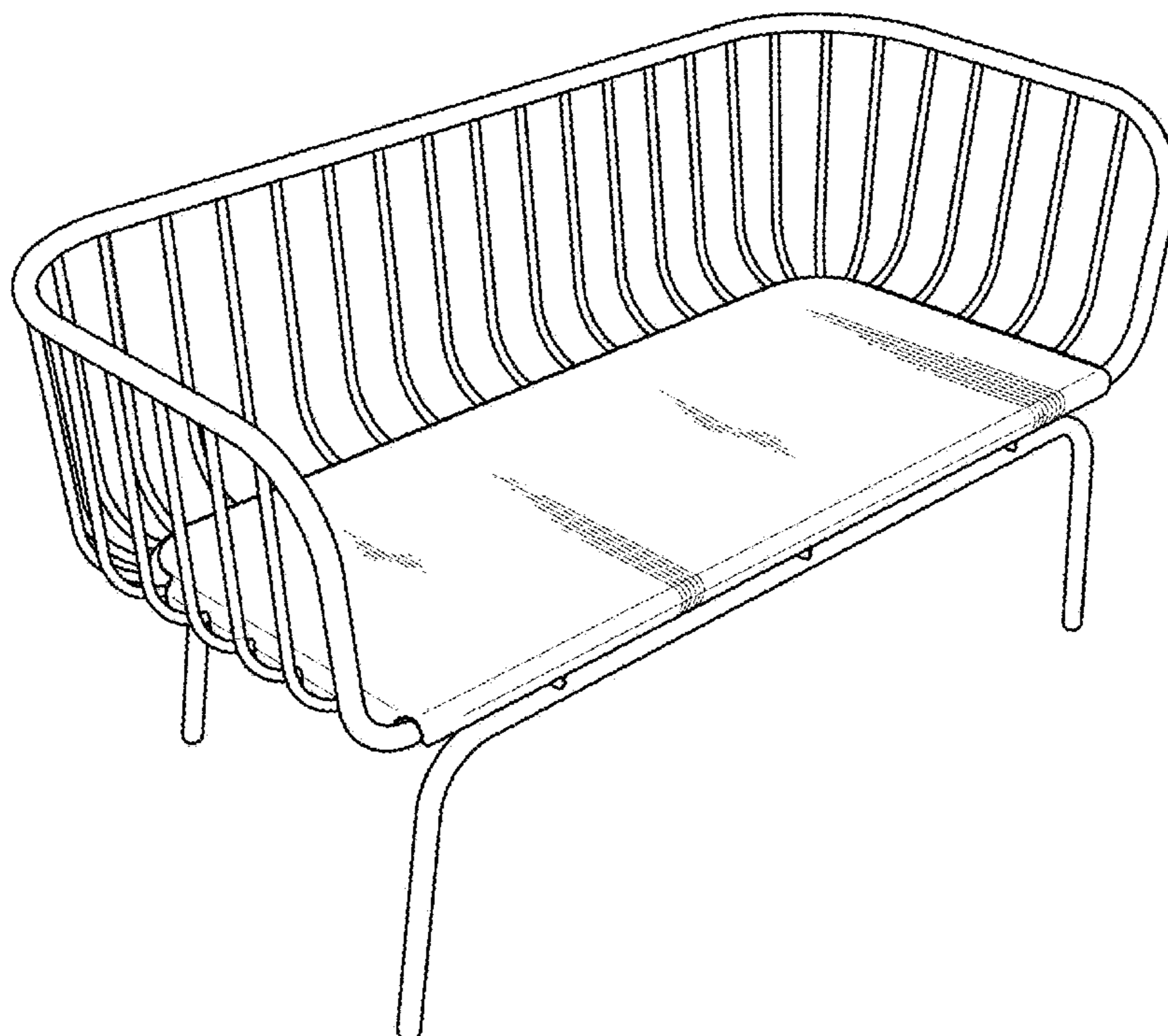
(57) **CLAIM**

The ornamental design for a sofa, as shown and described.

DESCRIPTION

FIG. 1 is a front-right-top perspective view of a sofa showing my new design;
FIG. 2 is front view thereof;
FIG. 3 is a rear view thereof;
FIG. 4 is a left side view thereof;
FIG. 5 is a right side view thereof;
FIG. 6 is a top view thereof; and,
FIG. 7 is a bottom view thereof.

1 Claim, 4 Drawing Sheets



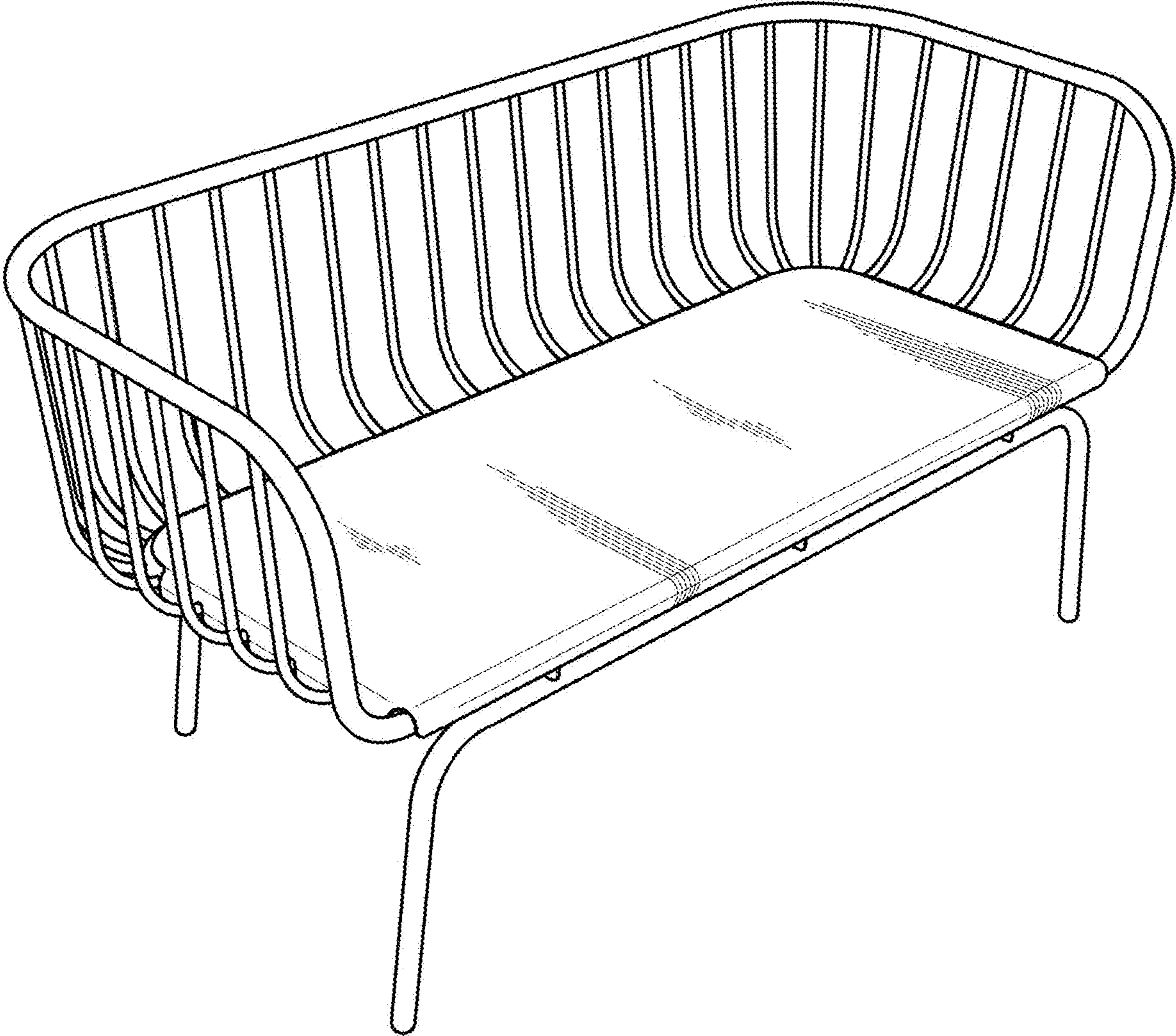


FIG. 1

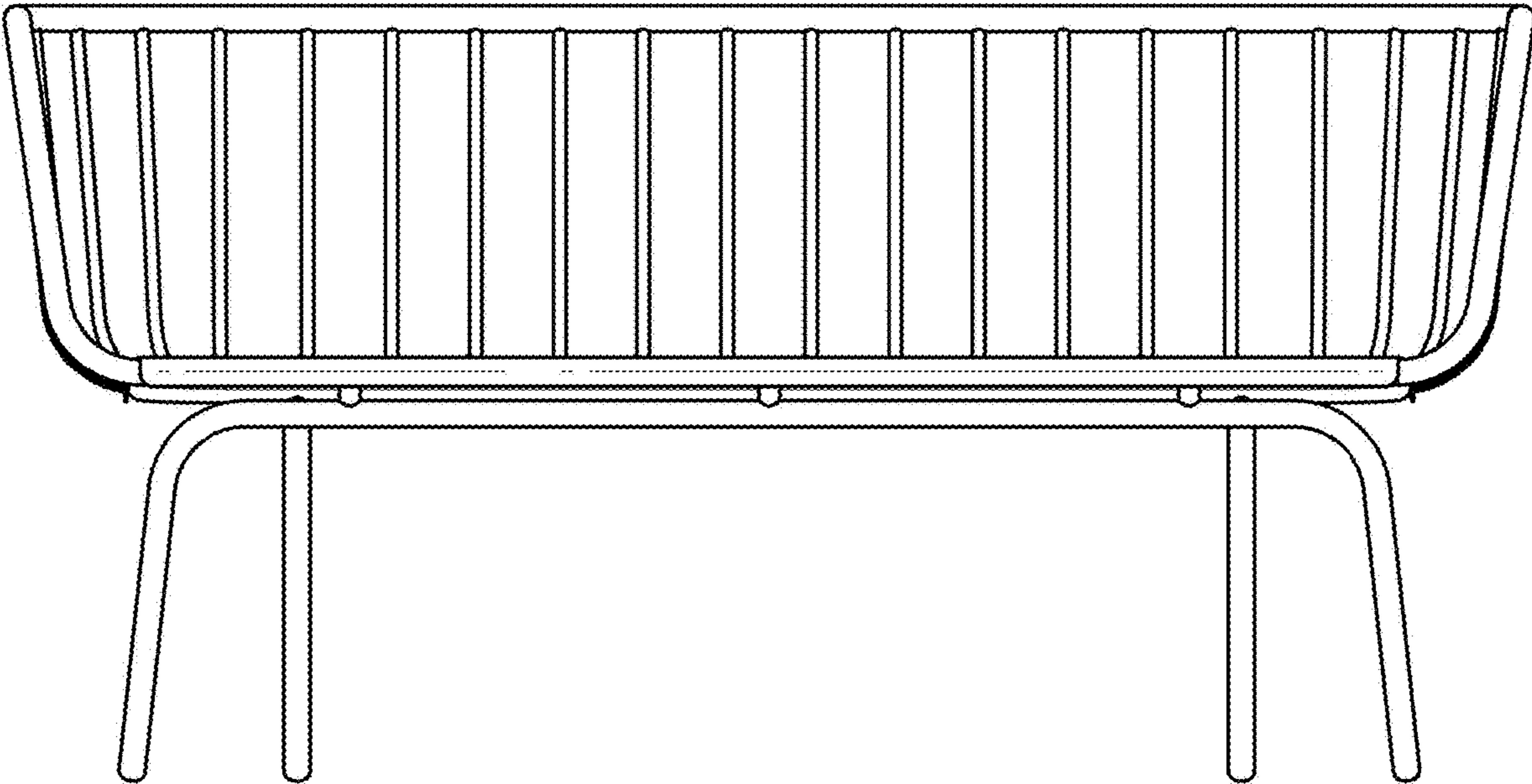


FIG. 2

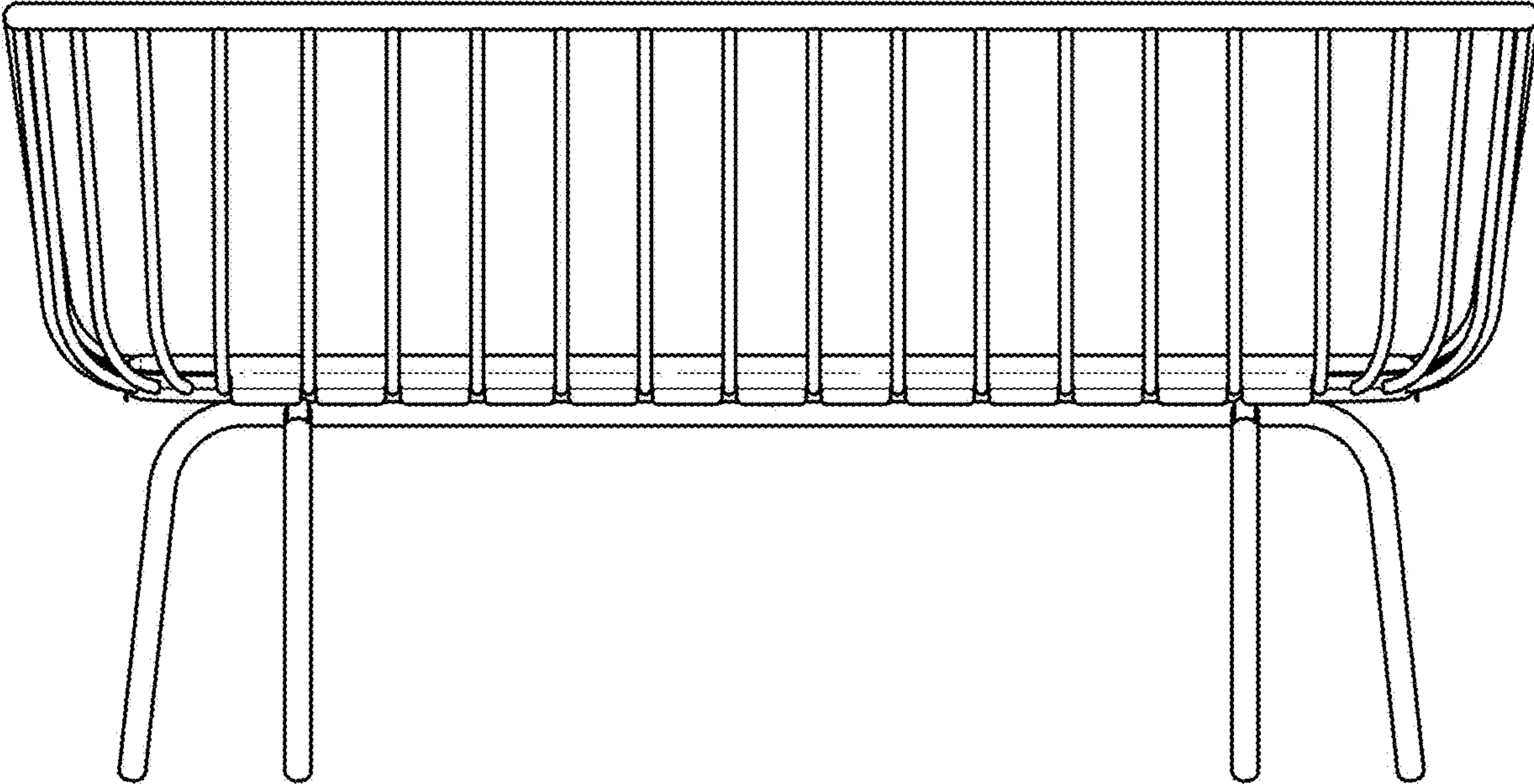


FIG. 3

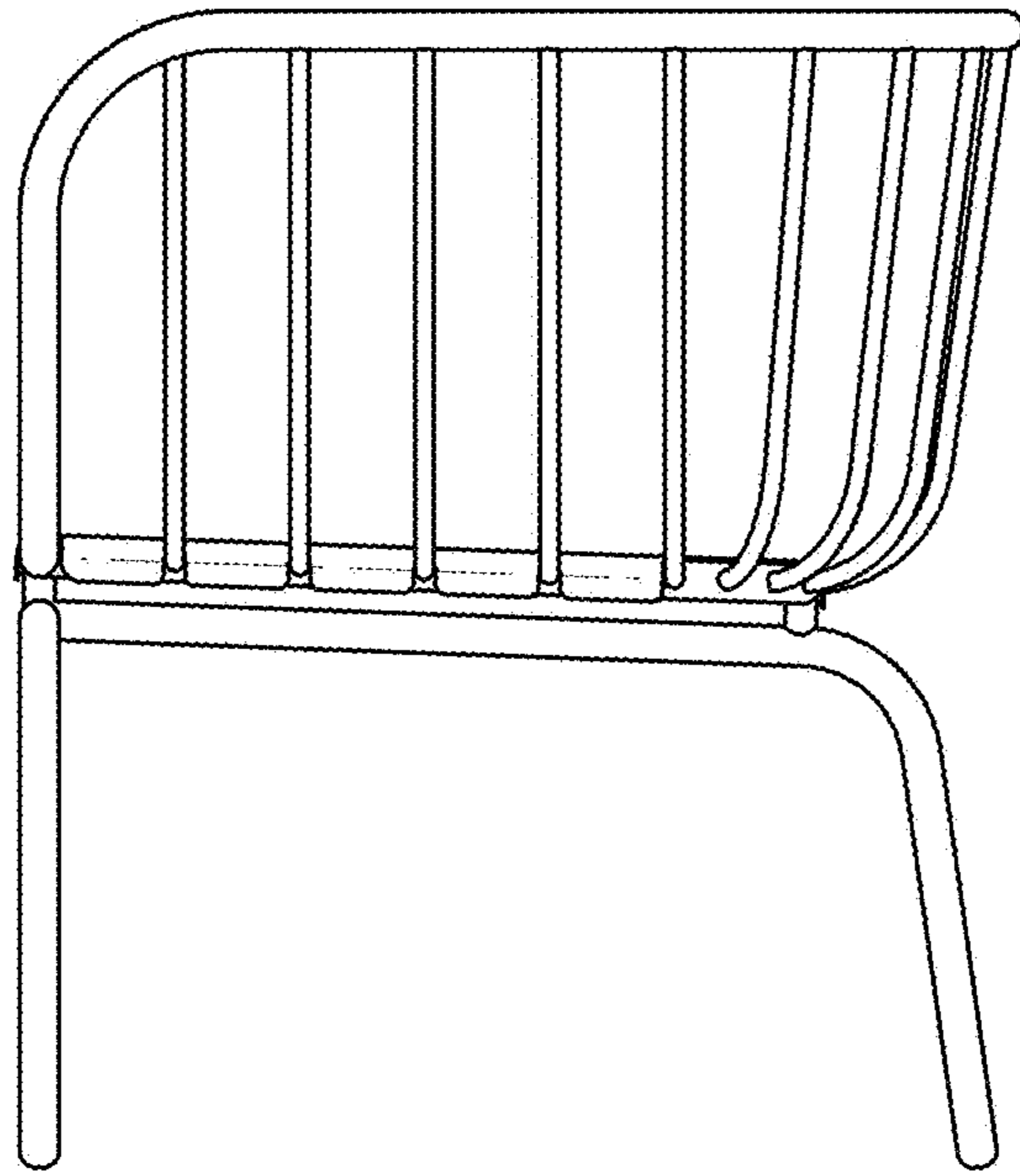


FIG. 4

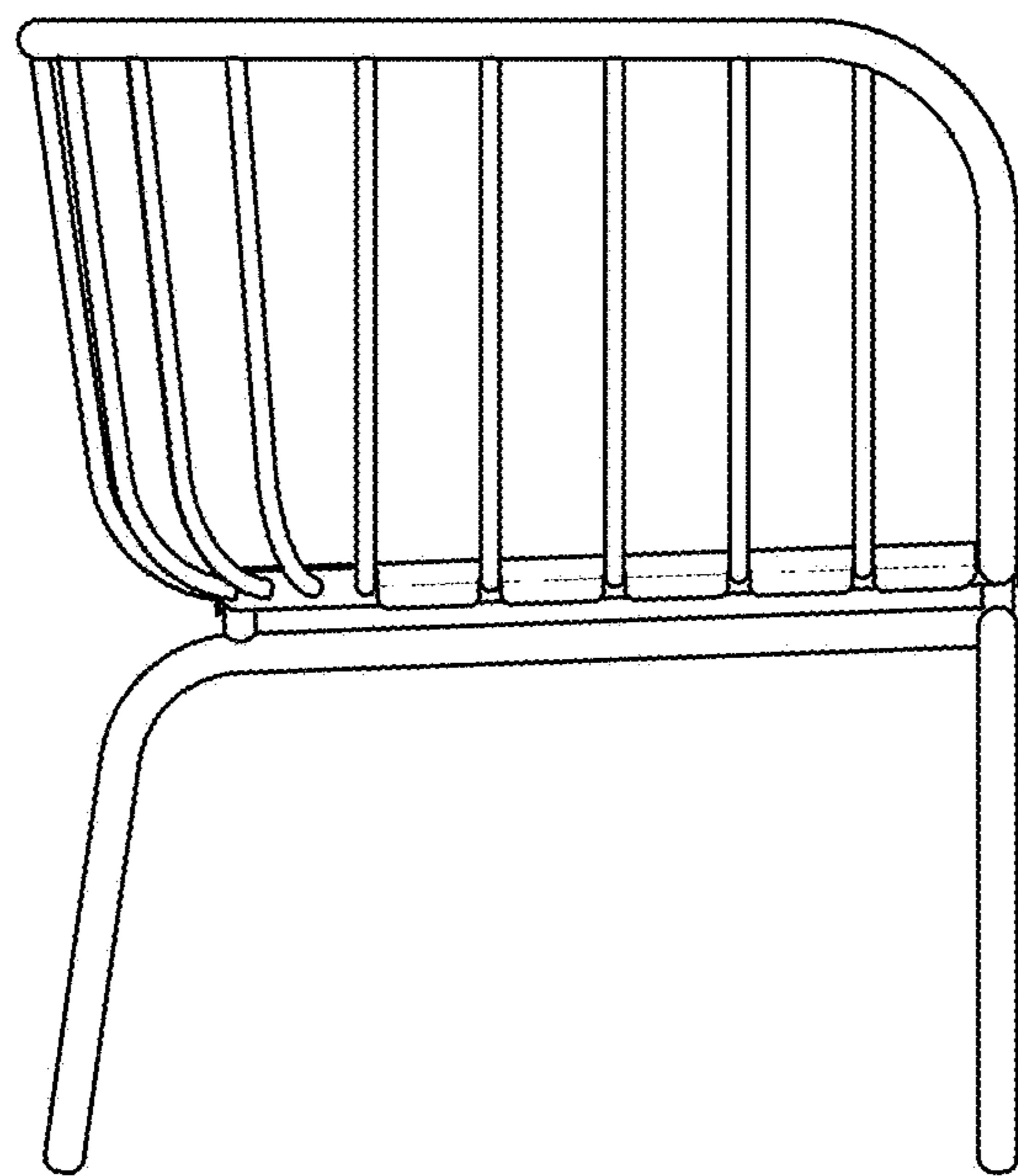


FIG. 5

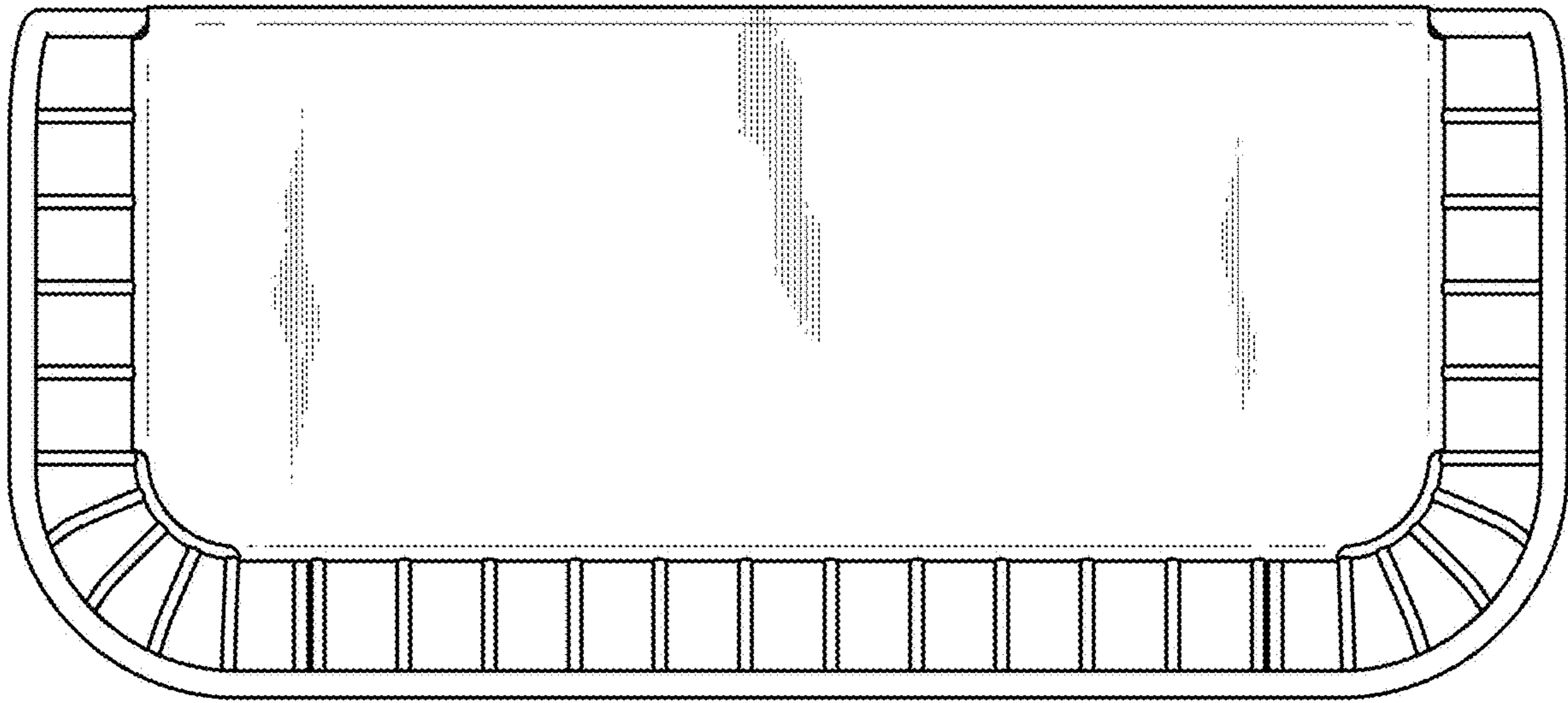


FIG. 6

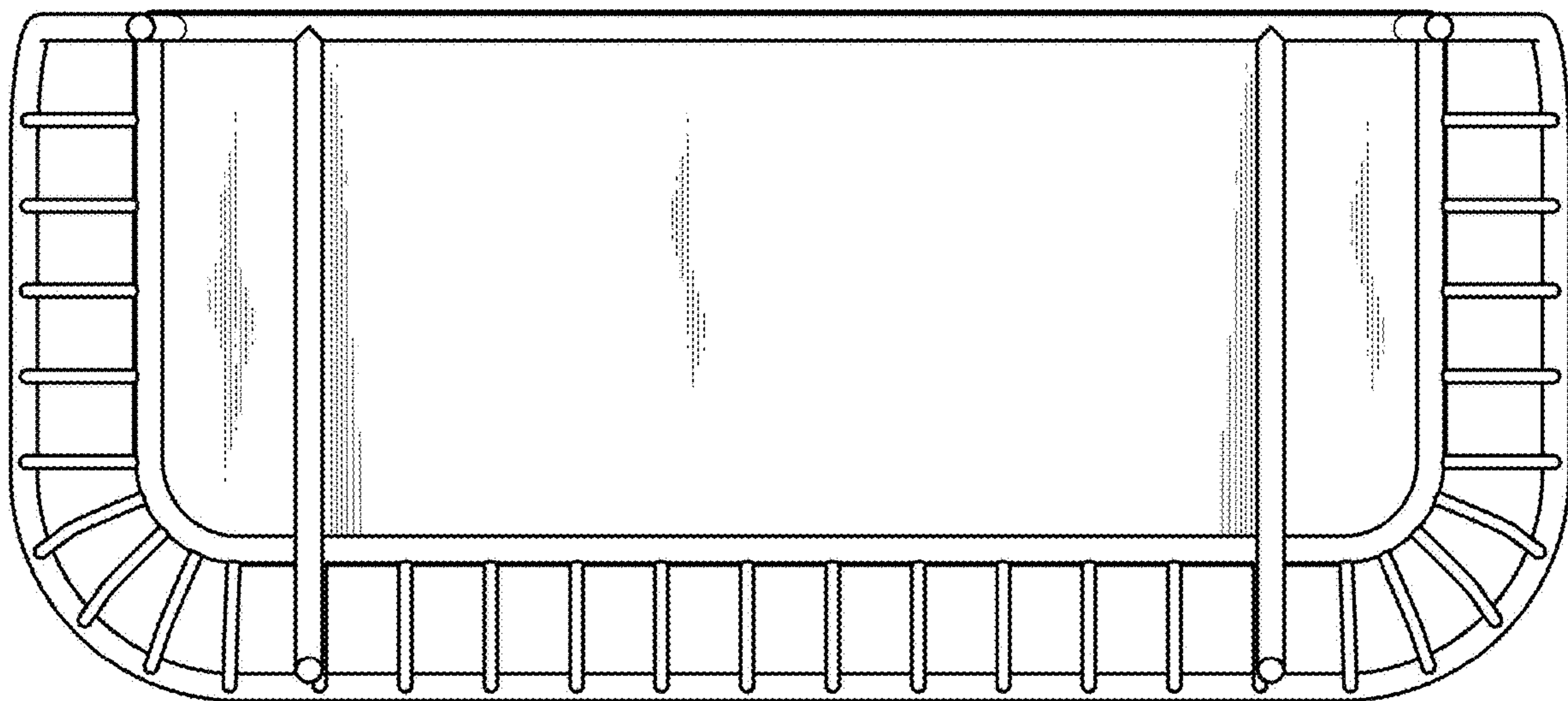


FIG. 7