



US00D889872S

(12) **United States Design Patent** (10) **Patent No.:** **US D889,872 S**
Zhao et al. (45) **Date of Patent:** **** Jul. 14, 2020**

(54) **BENCH**
(71) Applicant: **Niangao Zhao**, Zhejiang (CN)
(72) Inventors: **Niangao Zhao**, Zhejiang (CN); **Xiaolei Fu**, Zhejiang (CN)
(73) Assignee: **Niangao Zhao**, Zhejiang (CN)
(**) Term: **15 Years**
(21) Appl. No.: **29/676,012**
(22) Filed: **Jan. 8, 2019**

D419,004 S * 1/2000 Collins D6/717
D439,422 S * 3/2001 Hecht D6/336
D482,885 S * 12/2003 Chipman D6/370
D498,078 S * 11/2004 Messier D6/381
D535,114 S * 1/2007 Goldstein D6/381
D680,346 S * 4/2013 Pedersen D6/370
(Continued)

FOREIGN PATENT DOCUMENTS

CA 156531 * 5/2014
EM 002128025-0002 * 10/2012
(Continued)

OTHER PUBLICATIONS

2x4basics, 90134ONLMI Custom AnySize Chair or Bench Ends, Sand, Date first available Oct. 8, 2018, [online]retrieved May 8, 2020, available from internet, www.amazon.com (Year: 2018).*
(Continued)

(30) **Foreign Application Priority Data**
Aug. 9, 2018 (CN) 2018 3 0439121
(51) **LOC (12) Cl.** **06-01**
(52) **U.S. Cl.**
USPC **D6/370**
(58) **Field of Classification Search**
USPC D6/373, 374, 375, 716, 369, 716.4, 360, D6/380, 348, 334, 361, 364, 377, 677, D6/341, 349, 350, 352, 353, 379, 381, D6/370, 717, 358, 708.16, 336, 357, 362, D6/363, 365, 366, 371; 297/217.1, 440.1, 297/440.21, 452.14
CPC .. A47C 11/00; A47C 4/02; A47C 4/03; A47C 4/08; A47C 4/024; A47C 4/025; A47C 4/028; A47C 5/04; A47C 7/16; A47C 5/12; A47C 7/36; A47C 7/40; A47C 9/007; A47C 13/023; A47C 5/08; A47C 17/175; A47C 13/005; A47C 11/005
See application file for complete search history.

Primary Examiner — Keli L Hill
Assistant Examiner — Sara S Sahneh
(74) *Attorney, Agent, or Firm* — JCIPRNET

(57) **CLAIM**

The ornamental design for a bench, as shown and described.

DESCRIPTION

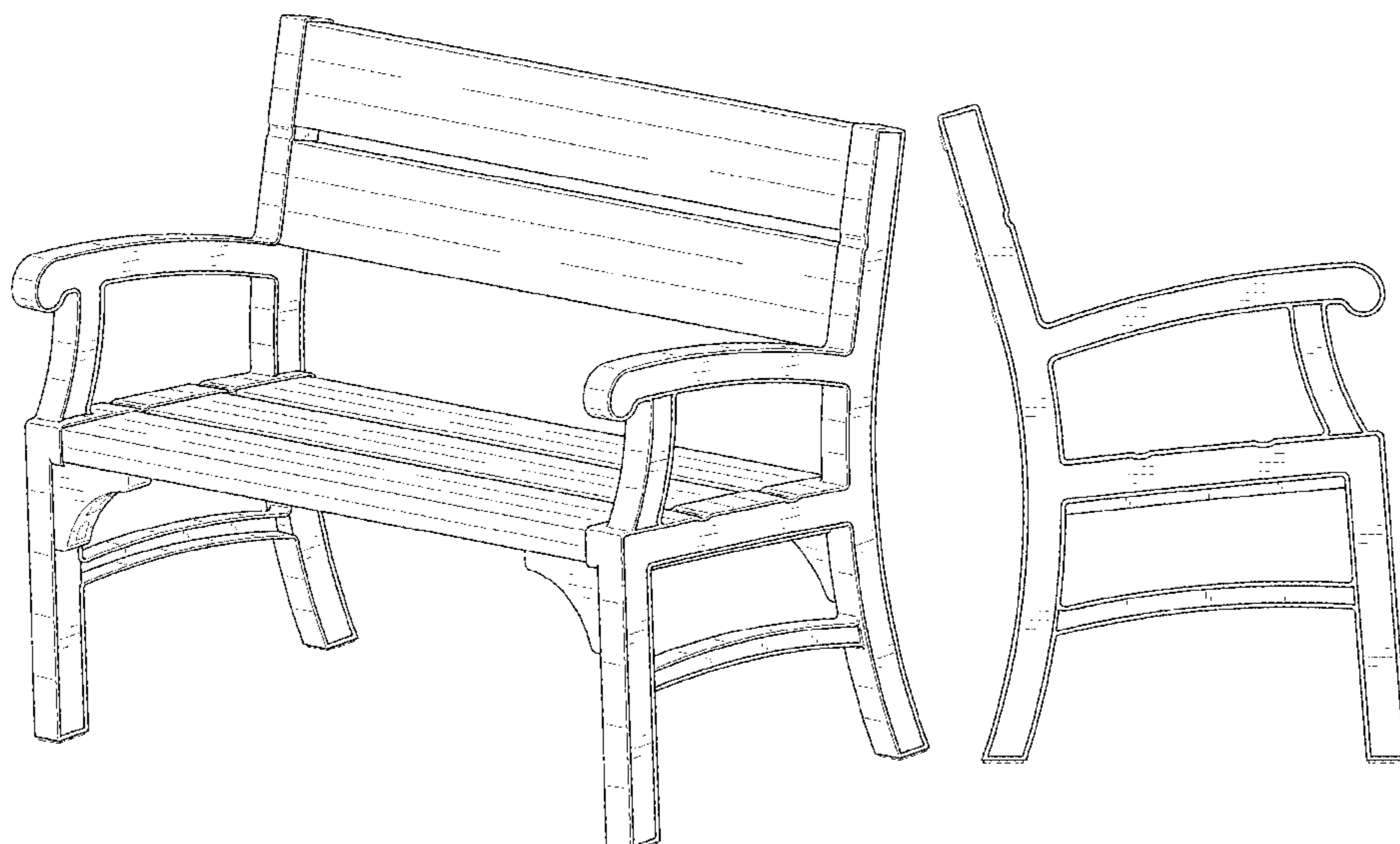
FIG. 1 is a perspective view of a bench showing our new design;
FIG. 2 is a front view thereof;
FIG. 3 is a rear view thereof;
FIG. 4 is a left side view thereof;
FIG. 5 is a right side view thereof;
FIG. 6 is a top view thereof; and,
FIG. 7 is a bottom view thereof.
The broken line portions of the bench in FIGS. 1-5 and 7 represent unclaimed portions of the claimed design and form no part thereof.

(56) **References Cited**

U.S. PATENT DOCUMENTS

D217,910 S * 6/1970 Harman D6/717
D294,782 S * 3/1988 Balderi D6/370
D376,270 S * 12/1996 Slear D6/370

1 Claim, 6 Drawing Sheets



(56)

References Cited

U.S. PATENT DOCUMENTS

D815,849 S * 4/2018 Pontillas D6/370
D843,125 S * 3/2019 Pontillas D6/370
D848,173 S * 5/2019 Shemer D6/379

FOREIGN PATENT DOCUMENTS

EM 004492049-0001 * 11/2017
IL 58872 * 7/2016
KR 300424944.0000 * 4/2005
KR 300917654.0000 * 12/2016

OTHER PUBLICATIONS

2x4basics, 90110ONLMI Custom Flip Top Bench to Table, Date first available Jan. 1, 2008, [online]retrieved May 8, 2020, available from internet, www.amazon.com (Year: 2008).*

Frog Furnishings, Heritage Bench with Black Frame, [online]retrieved May 8, 2020, available from internet, www.amazon.com (Year: 2020).*

Plow & Hearth ,Garden Bench German-Made, White, Weather-proof, Outdoor Resin,[online]retrieved May 8, 2020, available from internet, www.amazon.com (Year: 2020).*

* cited by examiner

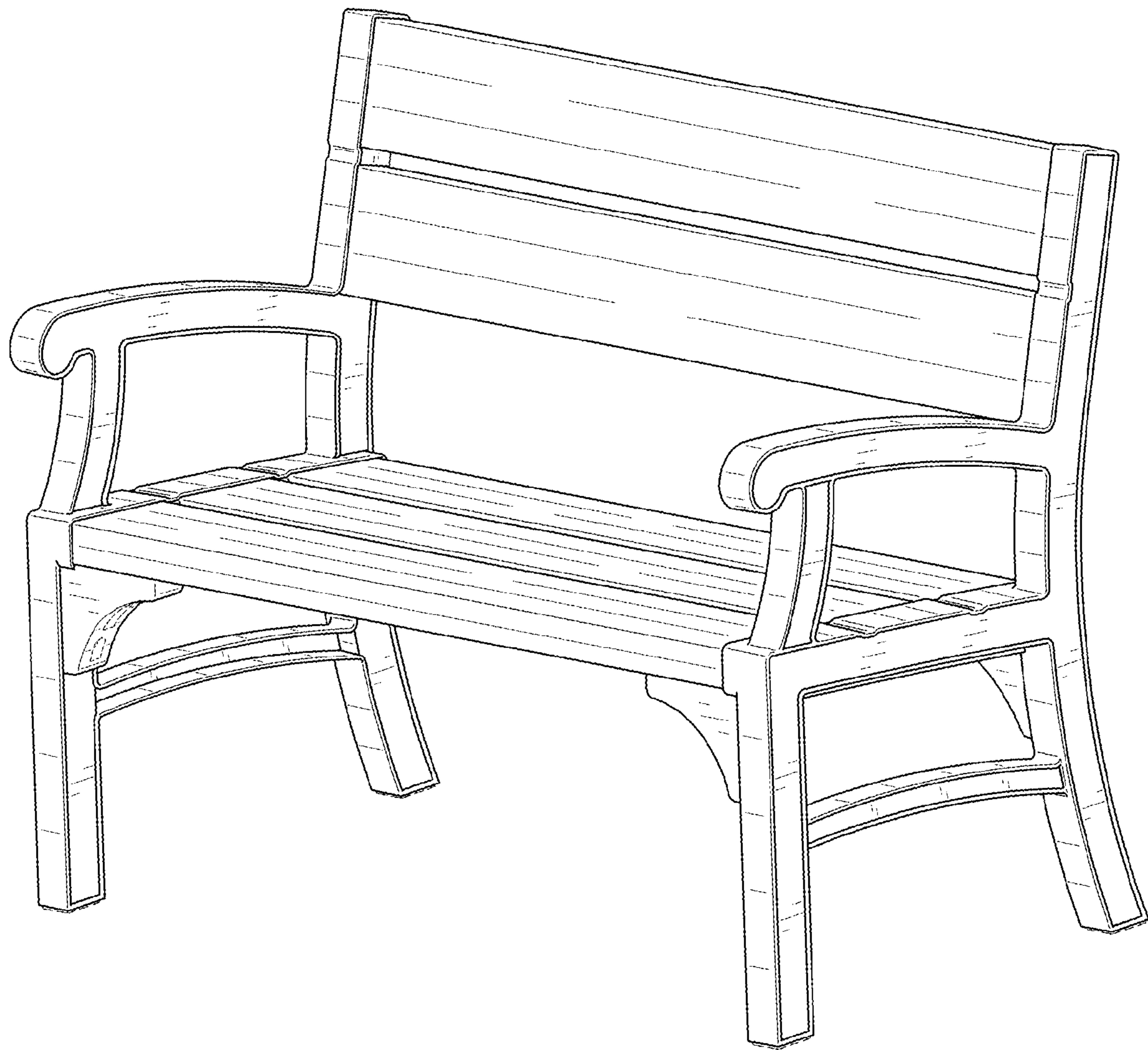


FIG. 1

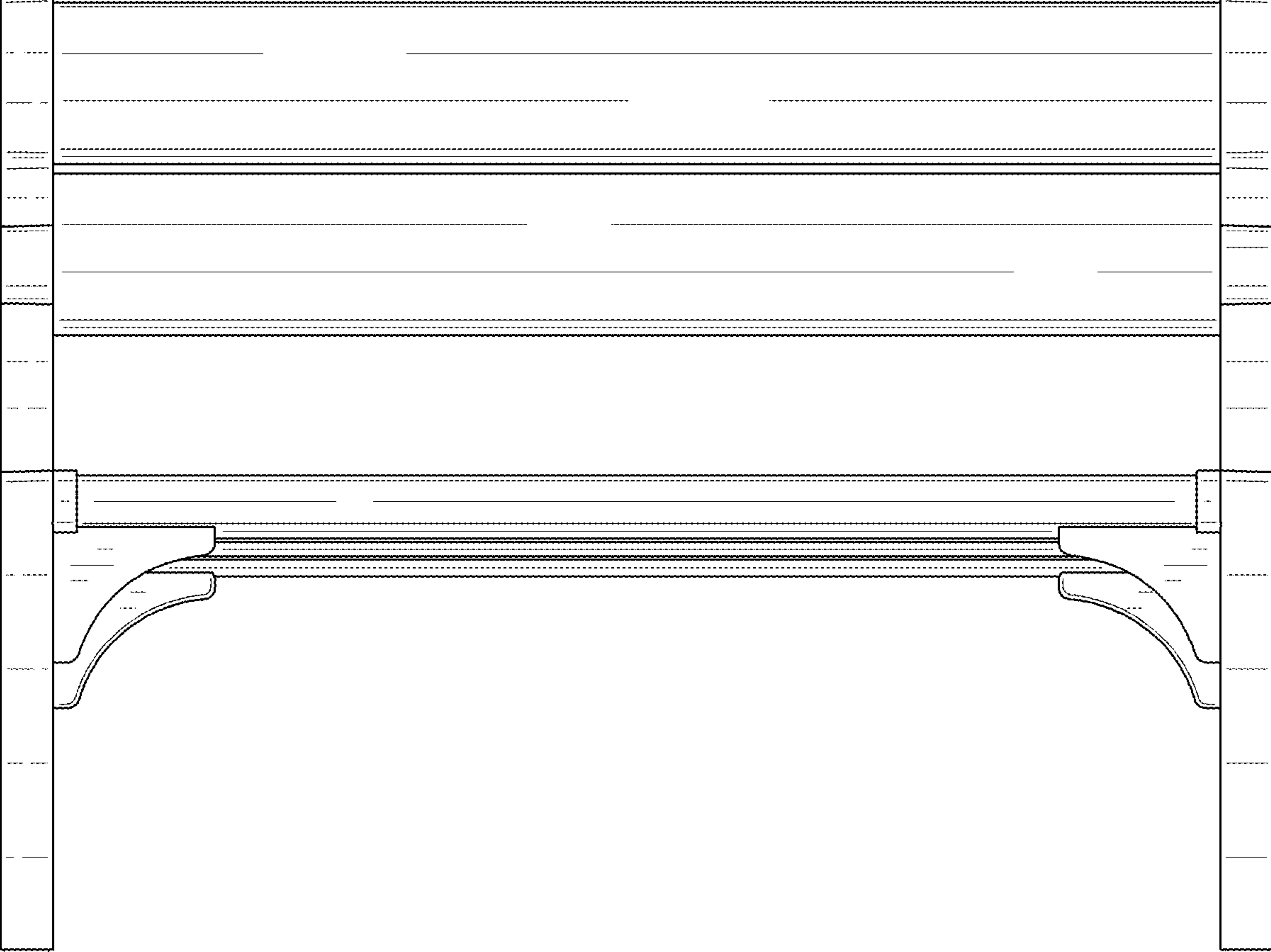


FIG. 2

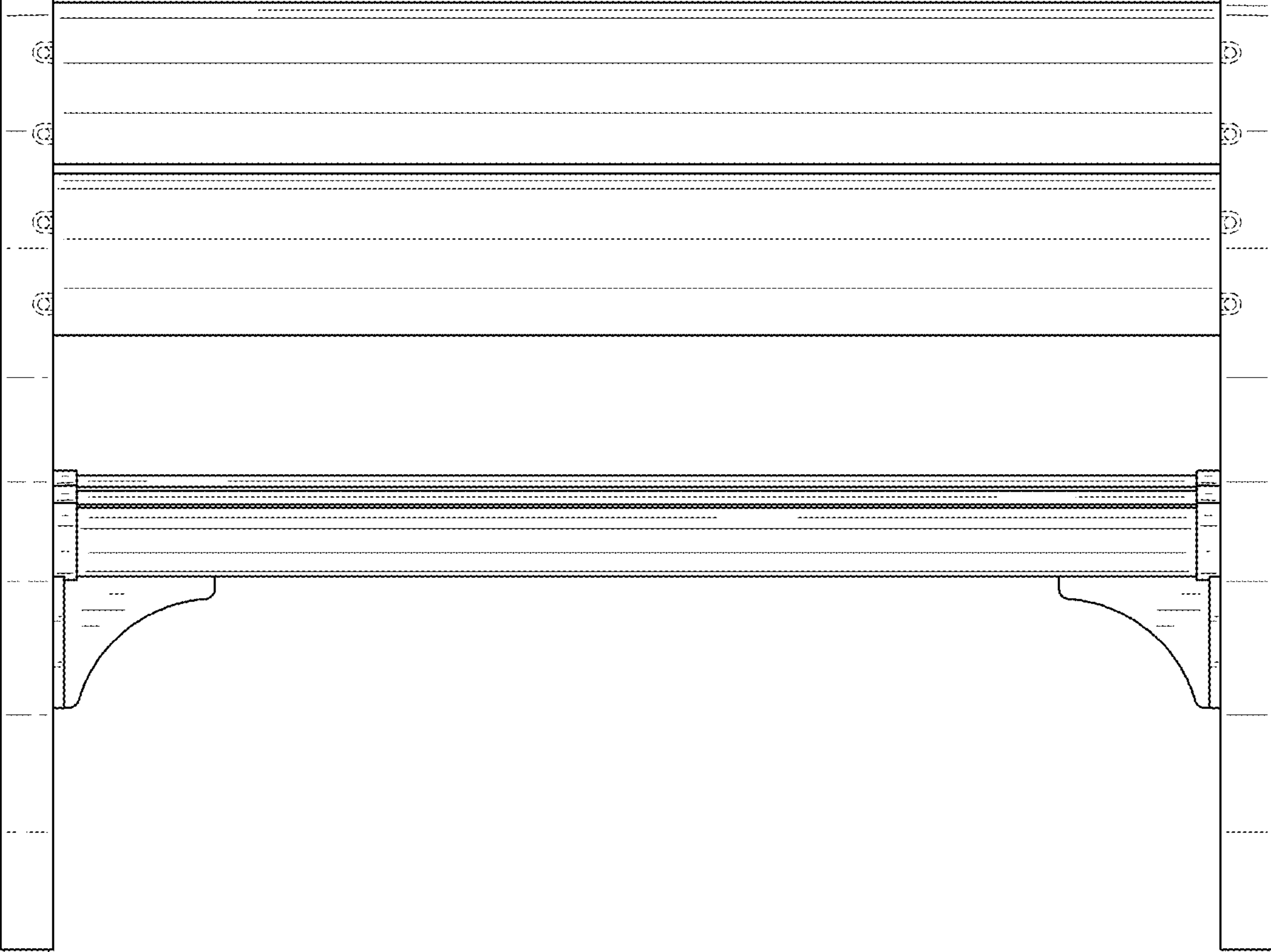


FIG. 3

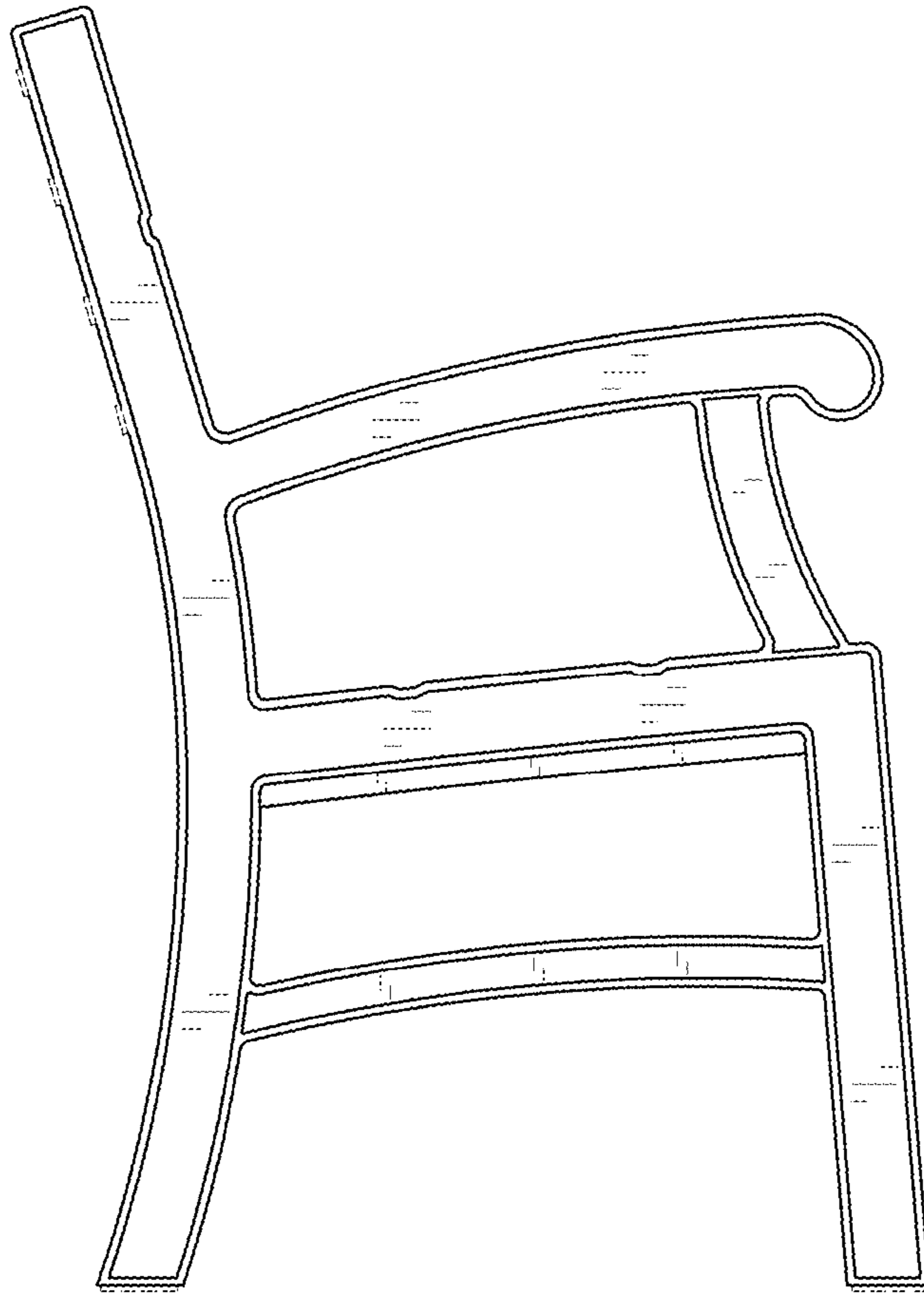


FIG. 4

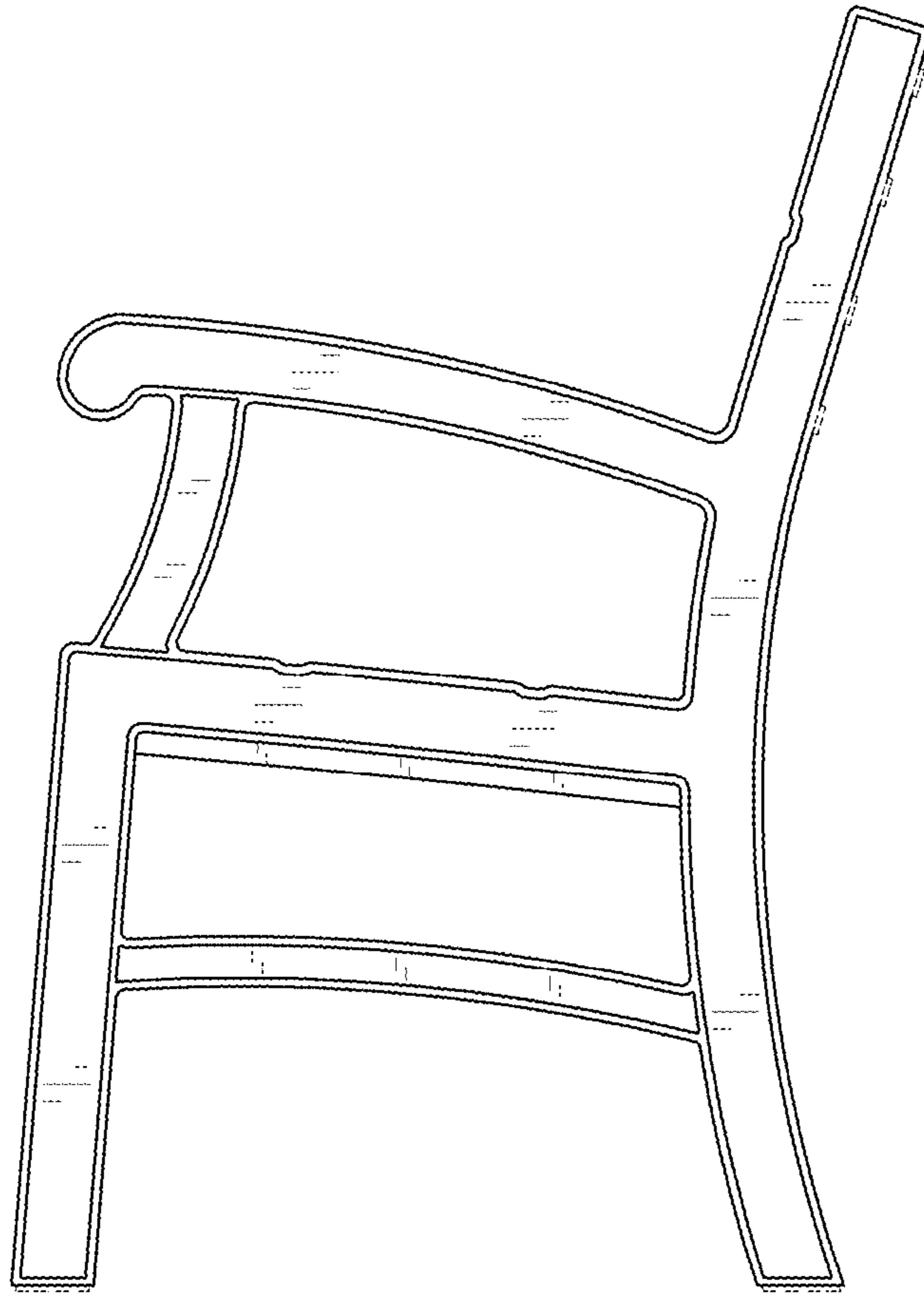


FIG. 5

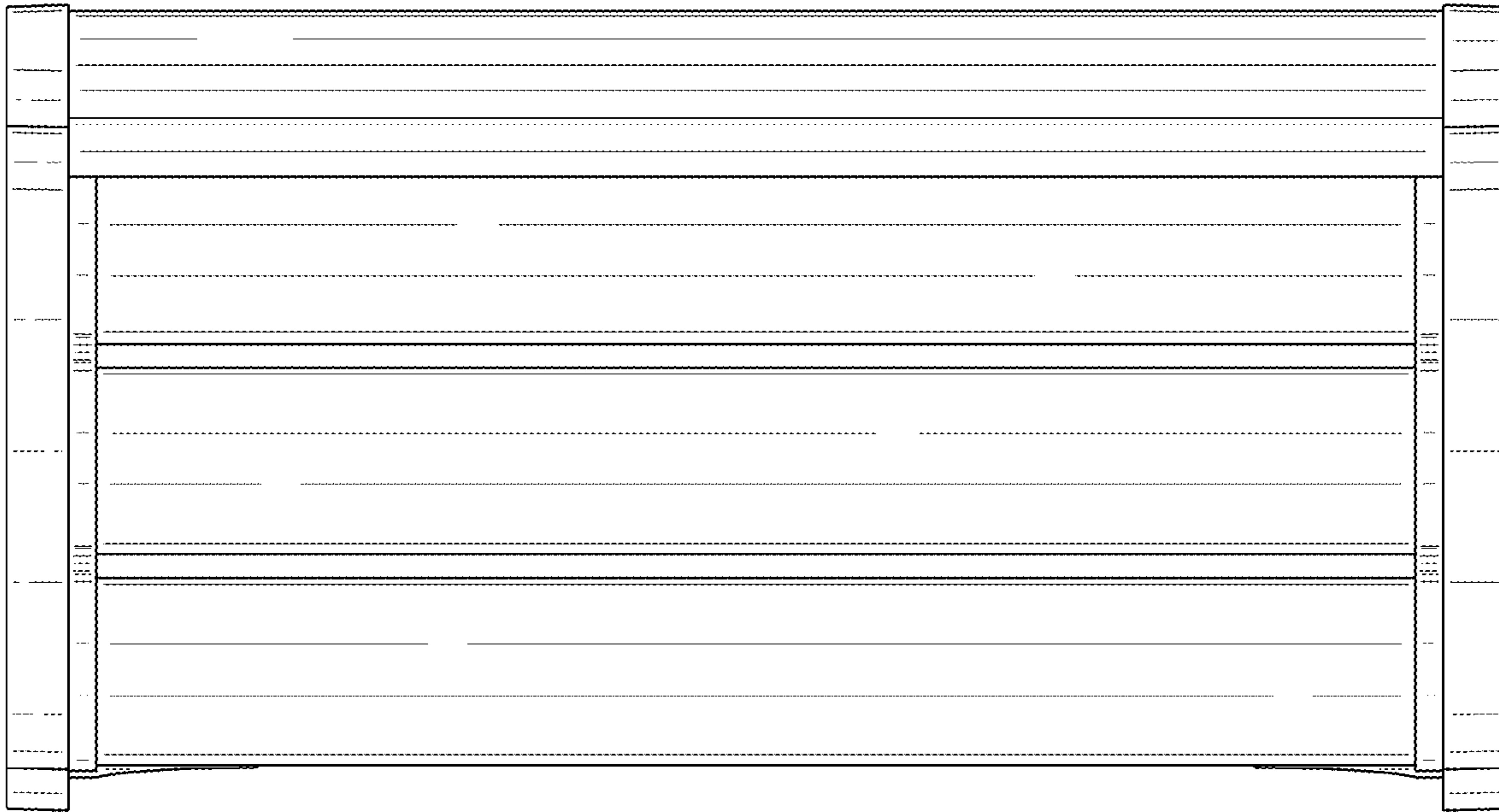


FIG. 6

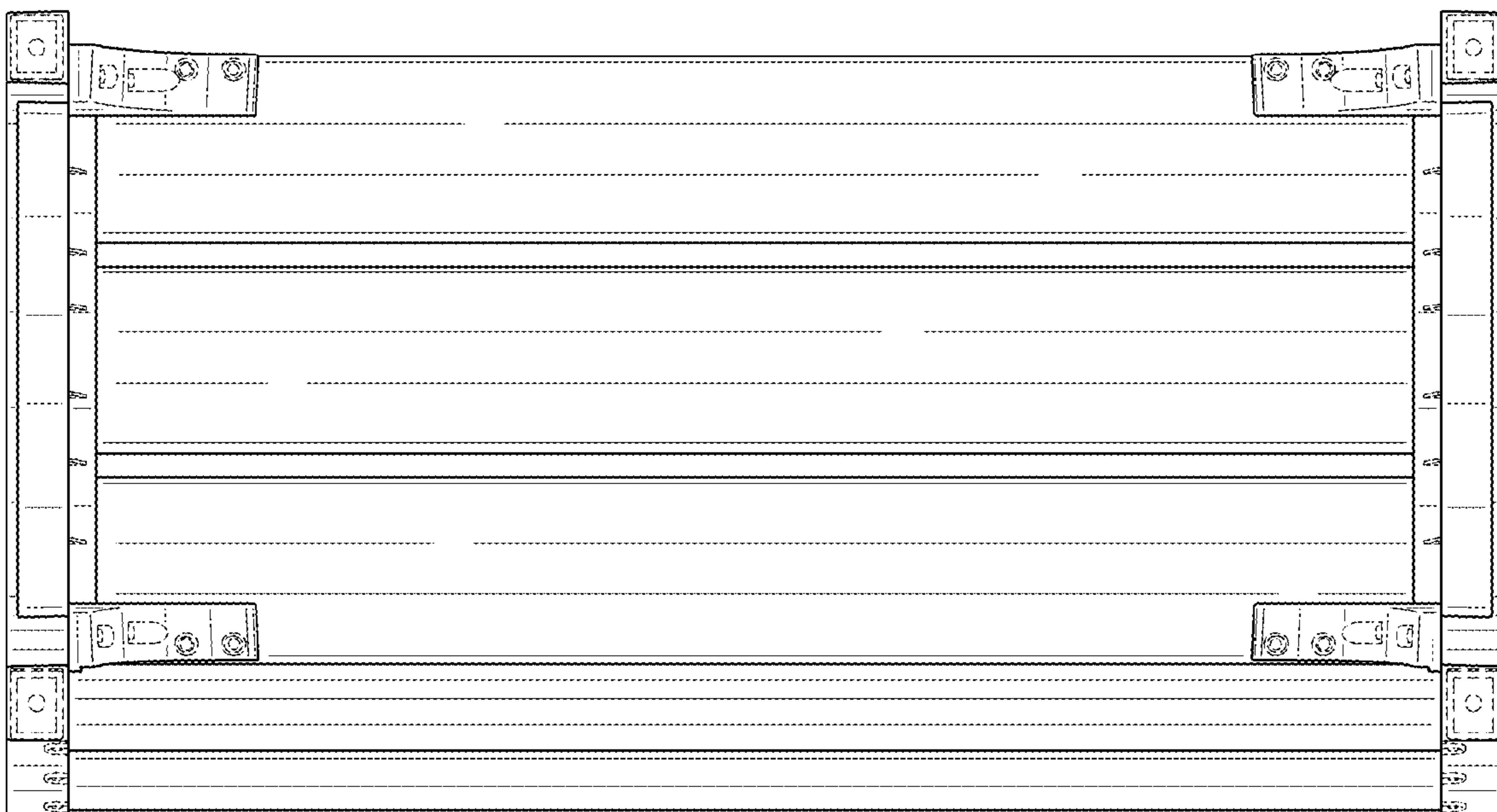


FIG. 7