



US00D889871S

(12) **United States Design Patent**
Li

(10) **Patent No.:** **US D889,871 S**

(45) **Date of Patent:** **** Jul. 14, 2020**

(54) **MASSAGE CHAIR (HOME)**

(71) Applicant: **Fujian Aowei Health Tech. Group Co., Ltd., Fujian (CN)**

(72) Inventor: **Changgao Li, Fujian (CN)**

(**) Term: **15 Years**

(21) Appl. No.: **29/641,087**

(22) Filed: **Mar. 20, 2018**

(30) **Foreign Application Priority Data**

Oct. 20, 2017 (CN) 2017 3 0502615

(51) **LOC (12) Cl.** **06-01**

(52) **U.S. Cl.**
USPC **D6/368**

(58) **Field of Classification Search**
USPC D6/334-336, 361, 368, 373, 374, 375,
D6/376, 379, 380, 716, 716.1, 716.2,
D6/716.3, 716.4
CPC .. A47C 1/14; A47C 1/143; A47C 4/00; A47C
4/04; A47C 4/045; A47C 4/06; A47C
4/08; A47C 4/14; A47C 4/16; A47C 4/30;
A47C 4/32; A47C 4/36; A47C 4/38;
A47C 4/40

See application file for complete search history.

(56) **References Cited**

U.S. PATENT DOCUMENTS

2,052,955 A * 9/1936 Vanderminden A47C 4/40
297/23
2,080,761 A * 5/1937 Crawford A47C 4/30
297/452.13

2,347,478 A * 4/1944 Heddens A47C 4/36
297/29
2,627,899 A * 2/1953 Grotefend A47C 4/40
297/23
D221,146 S * 7/1971 McComas D6/368
4,252,367 A * 2/1981 Vanderminden A47C 4/40
297/23
D413,737 S * 9/1999 Mogtaderi D6/368
D531,832 S * 11/2006 Andersson D6/368
D639,577 S * 6/2011 Tseng D6/368
D654,714 S * 2/2012 Tseng D6/368
D707,050 S * 6/2014 Colby D6/368
D721,238 S * 1/2015 Couture D6/368
D762,394 S * 8/2016 Hardesty D6/368

* cited by examiner

Primary Examiner — Mimosa De

(74) *Attorney, Agent, or Firm* — Prakash Nama; Global IP Services, PLLC

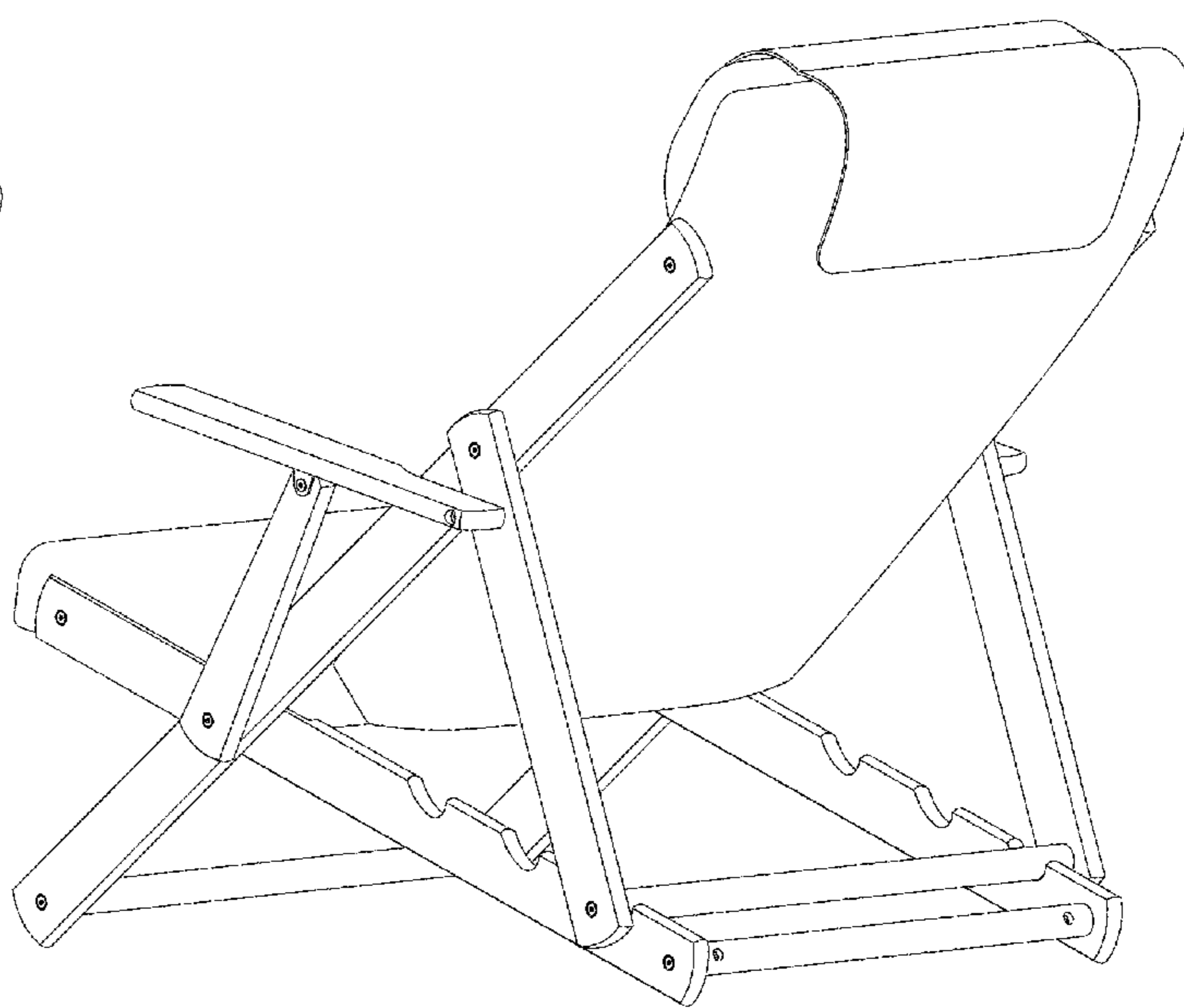
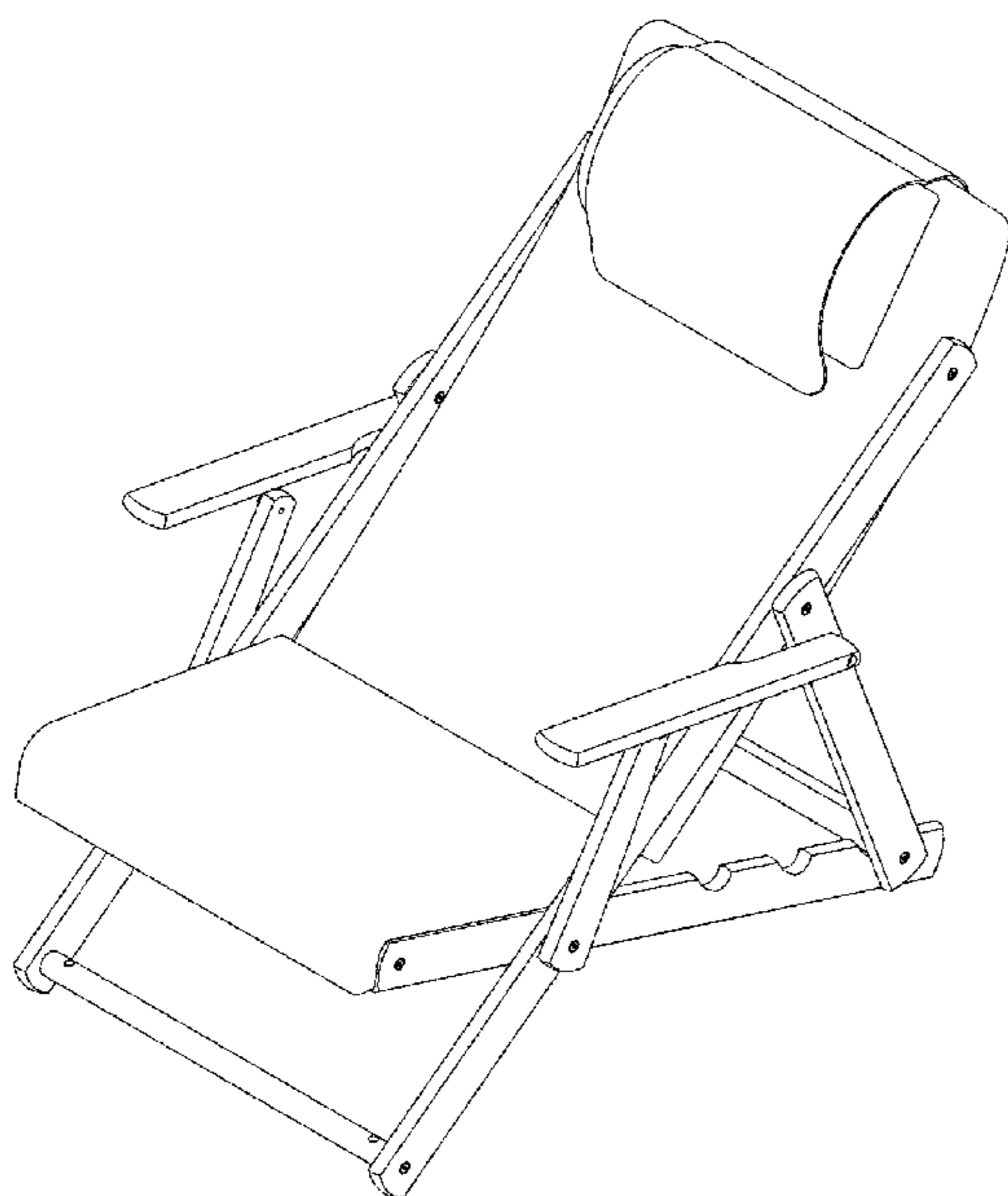
(57) **CLAIM**

The ornamental design for a massage chair (home), as shown.

DESCRIPTION

FIG. 1 is a front elevational view of a massage chair (home) showing my new design;
FIG. 2 is a rear elevational view thereof;
FIG. 3 is a left side view in a reduce scale thereof;
FIG. 4 is a right side view in a reduce scale thereof;
FIG. 5 is a bottom plan view in a reduce scale thereof;
FIG. 6 is a top plan view in a reduce scale thereof;
FIG. 7 is a perspective view thereof;
FIG. 8 is a second perspective view thereof; and,
FIG. 9 is a third perspective view thereof.

1 Claim, 9 Drawing Sheets



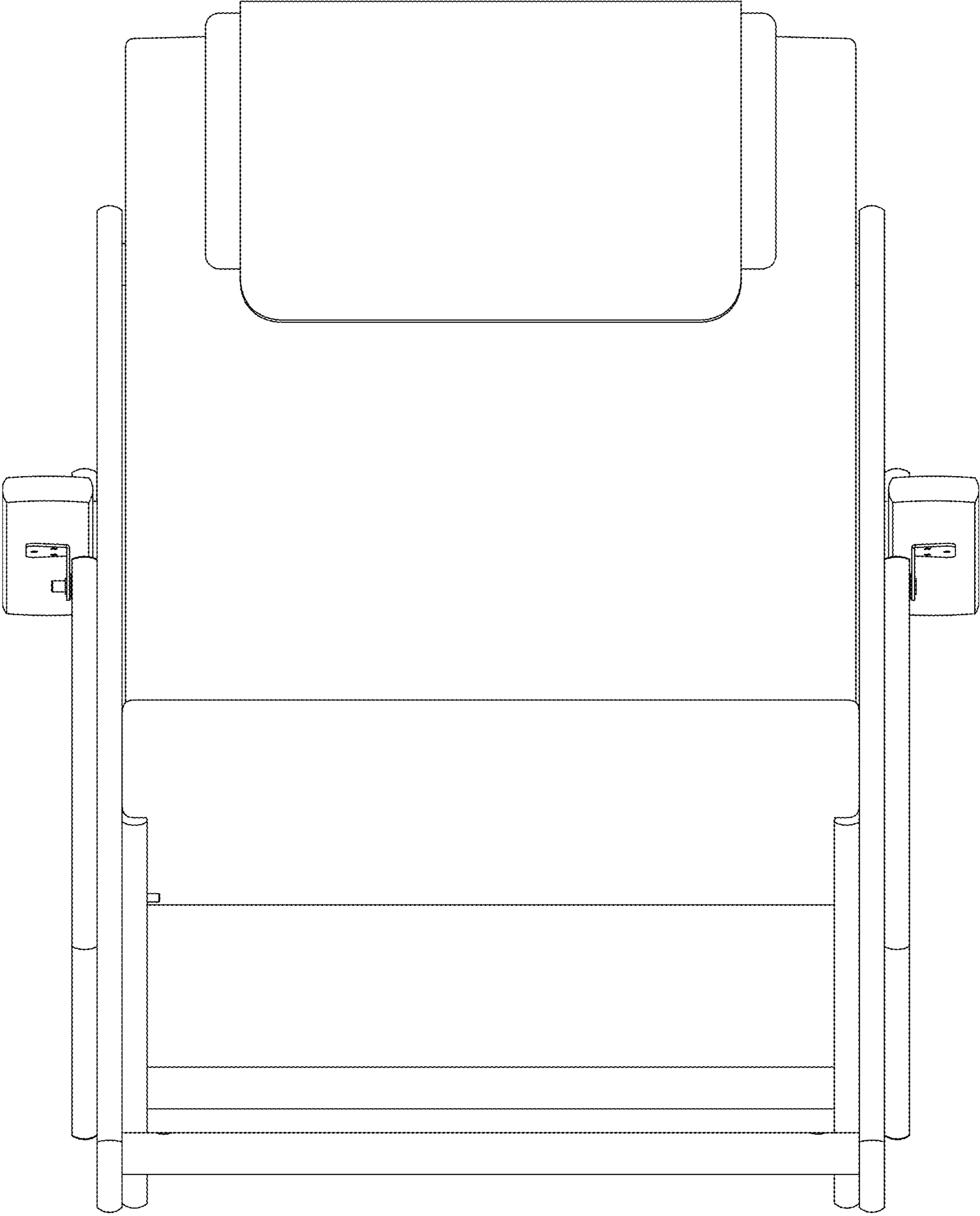


Fig. 1

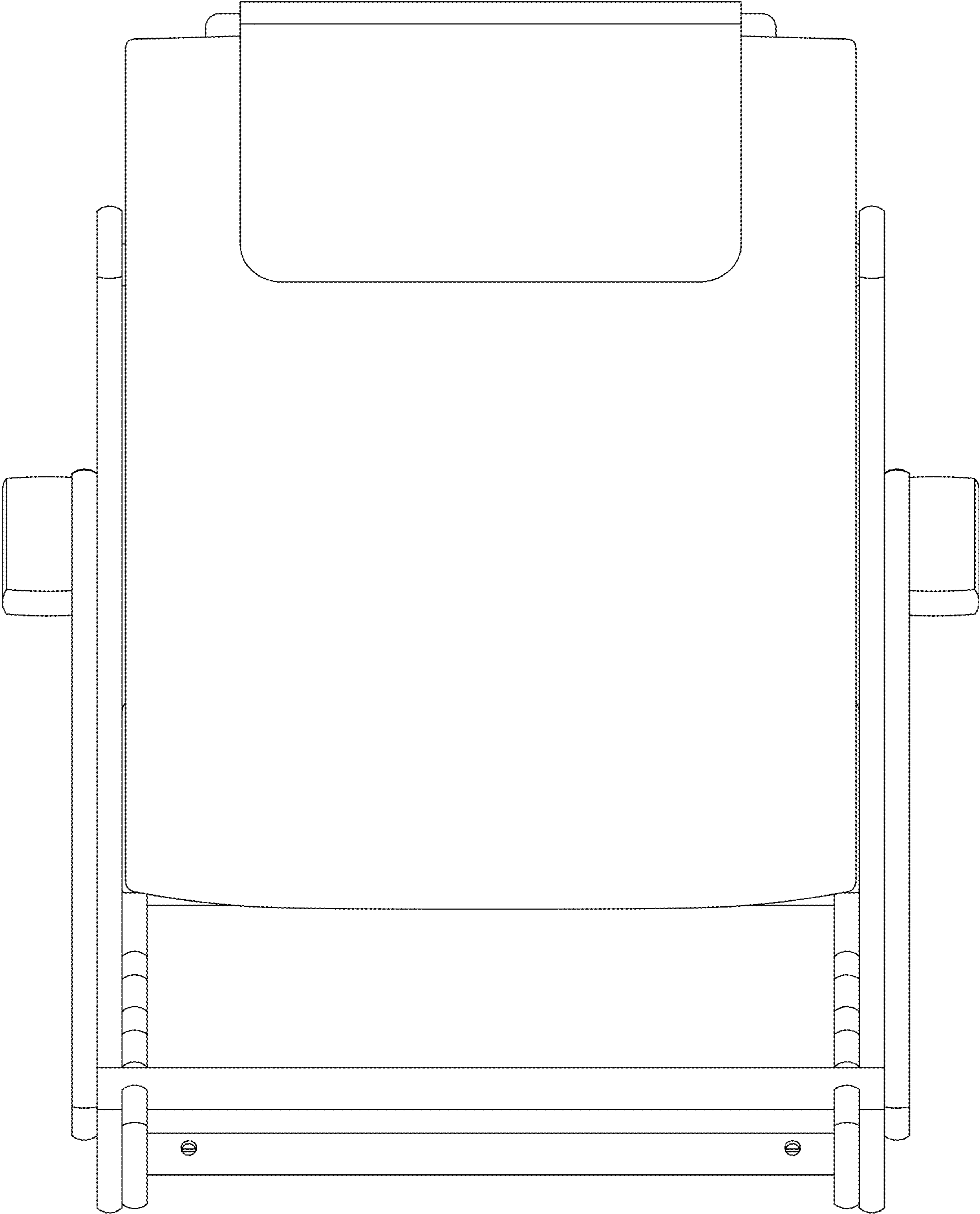


Fig. 2

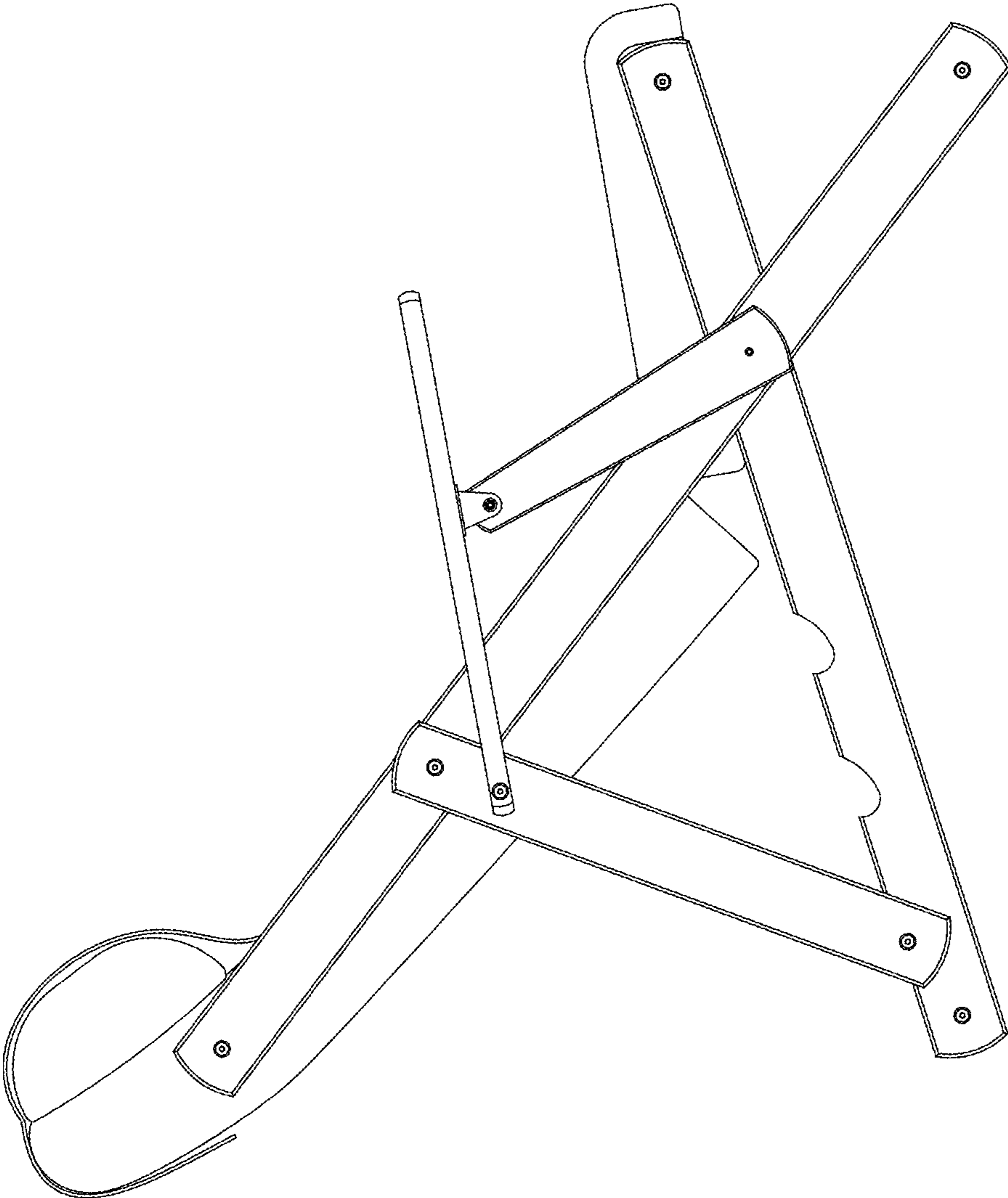


Fig. 3

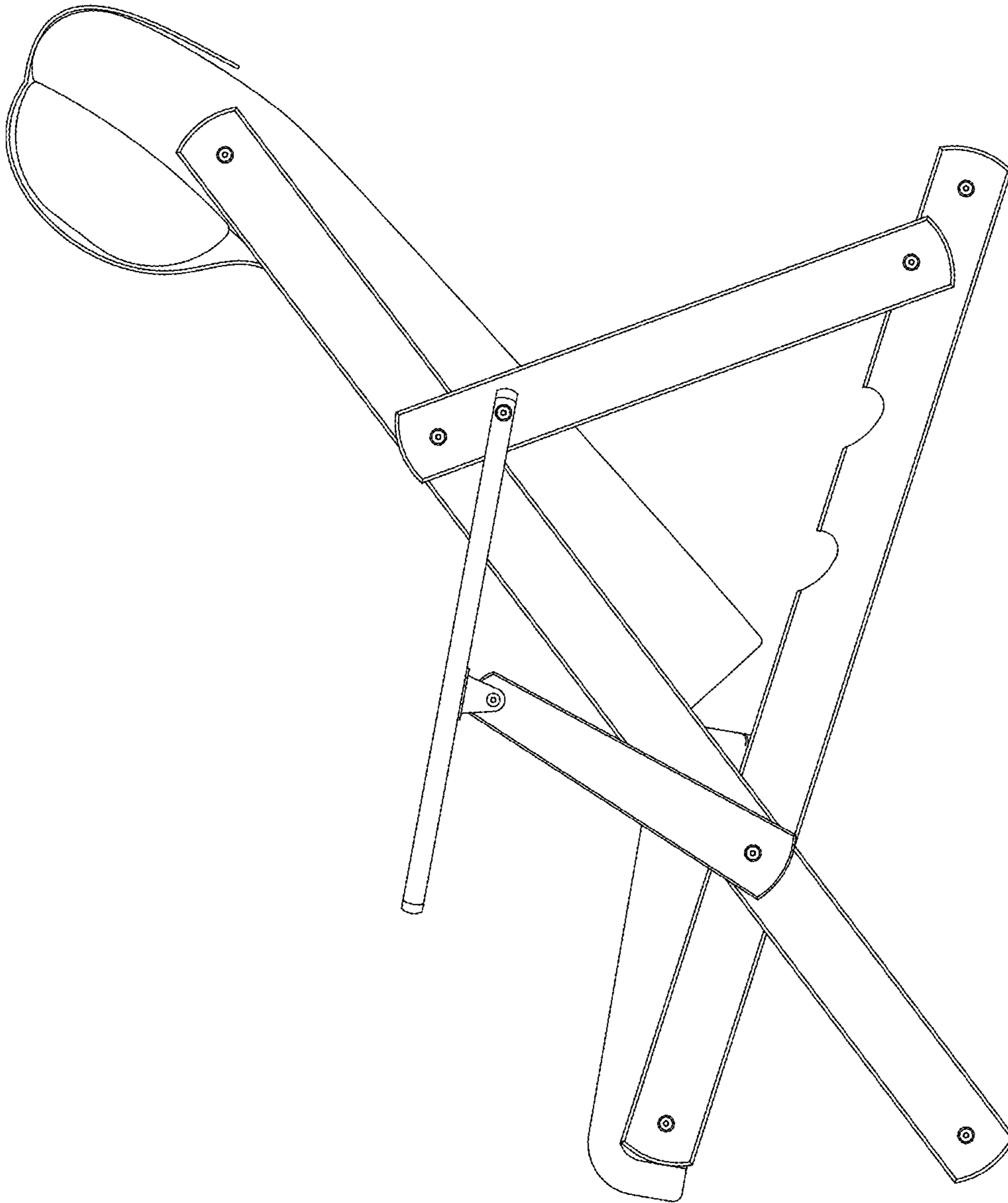


Fig. 4

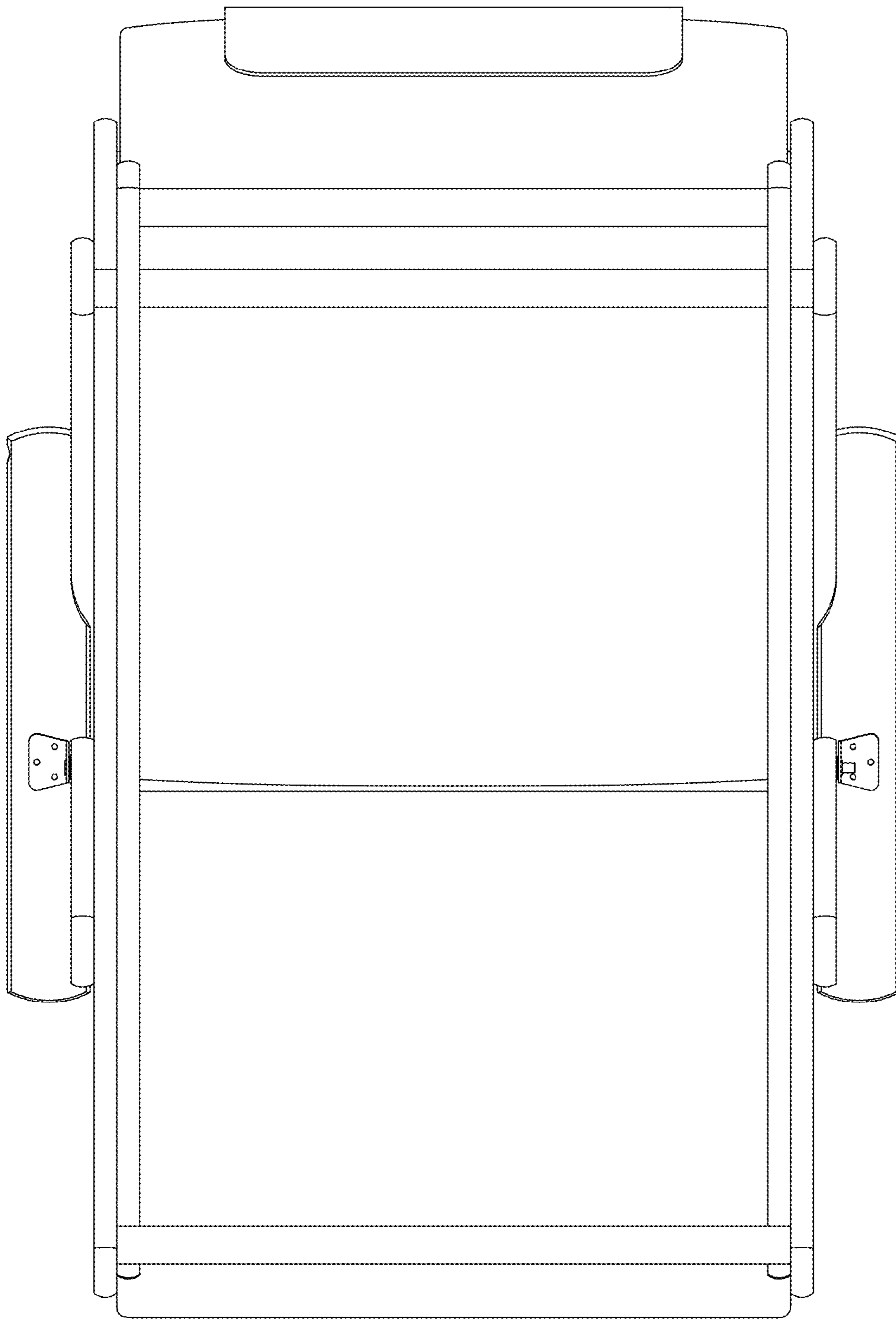


Fig. 5

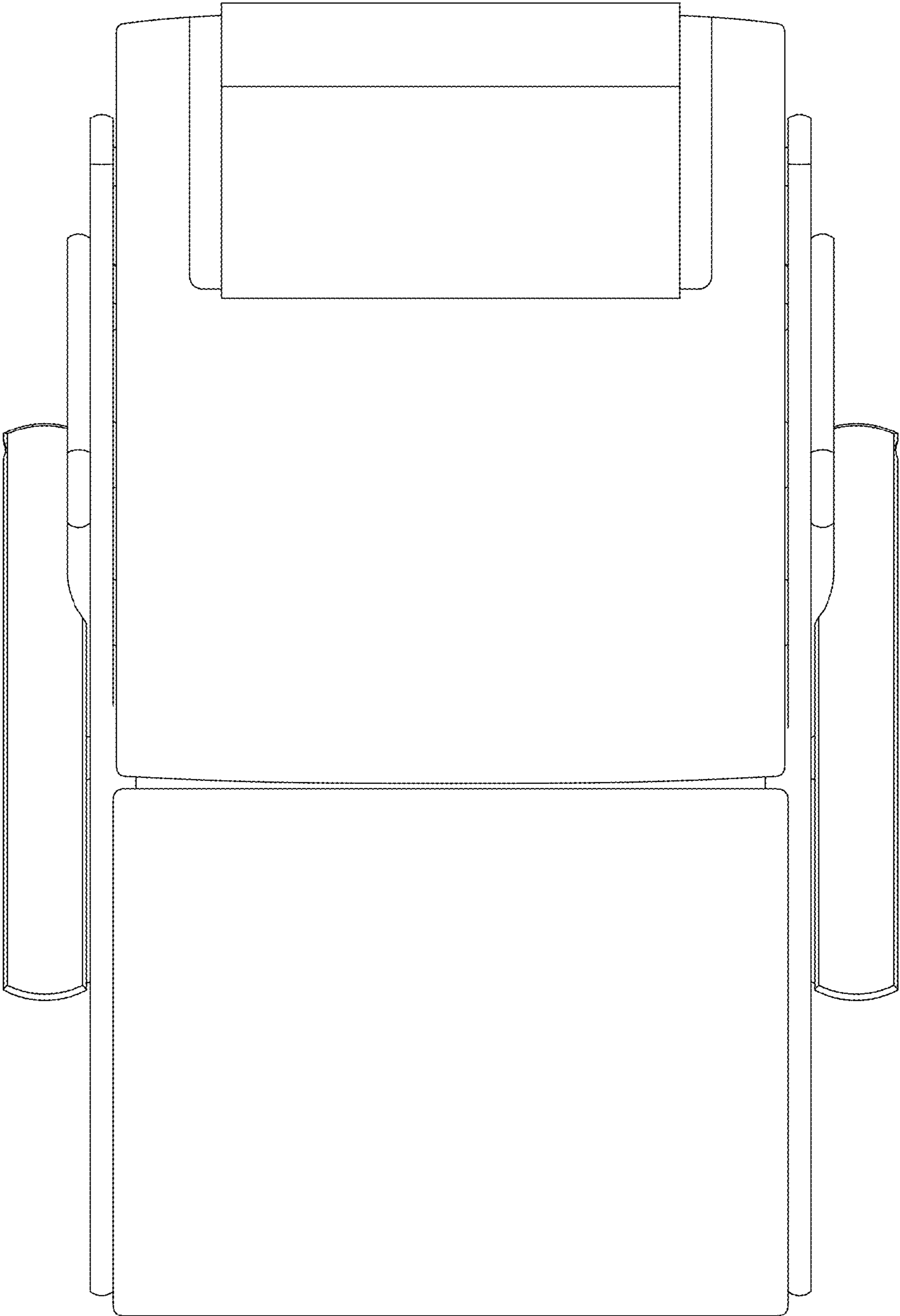


Fig. 6

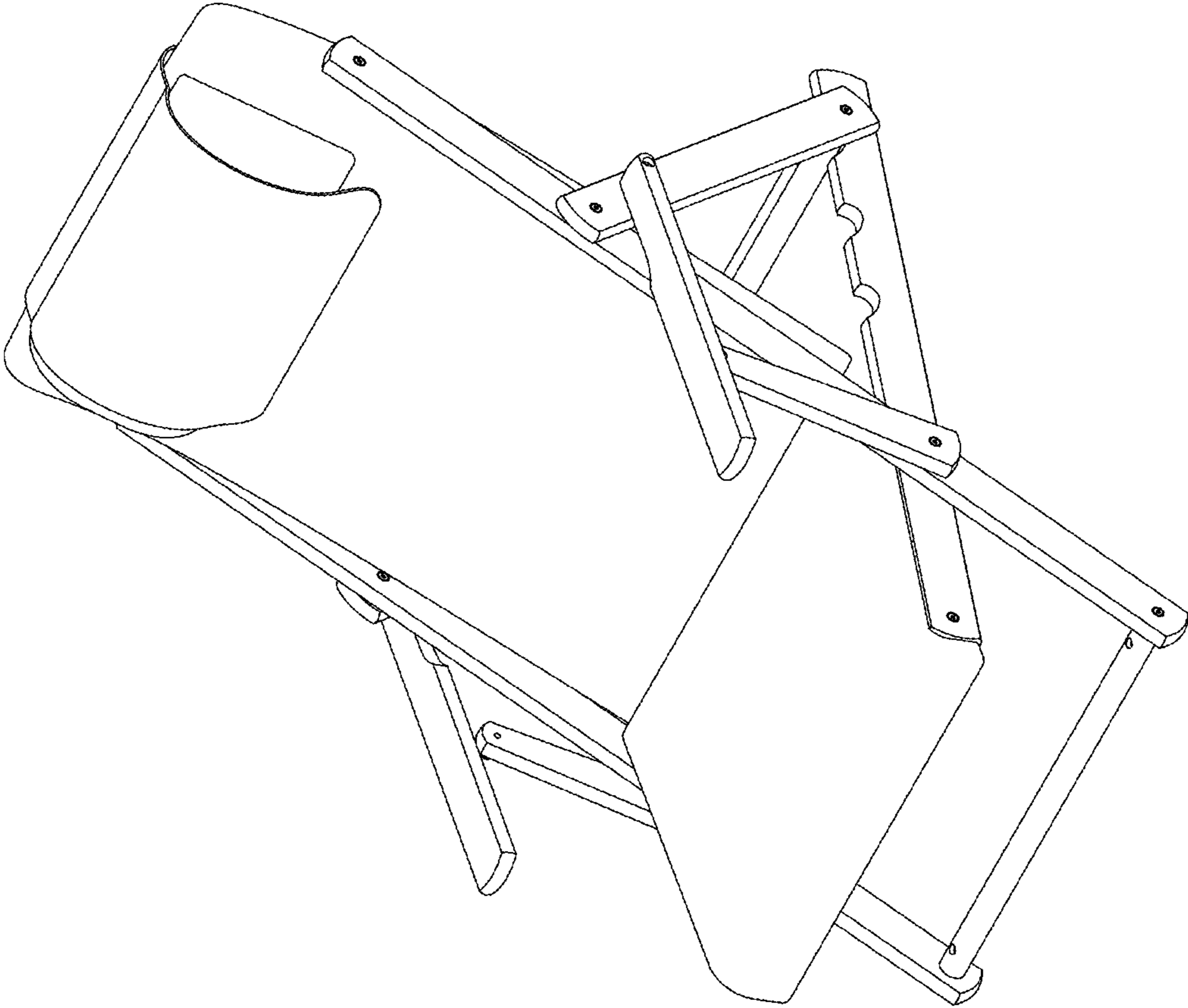


Fig. 7

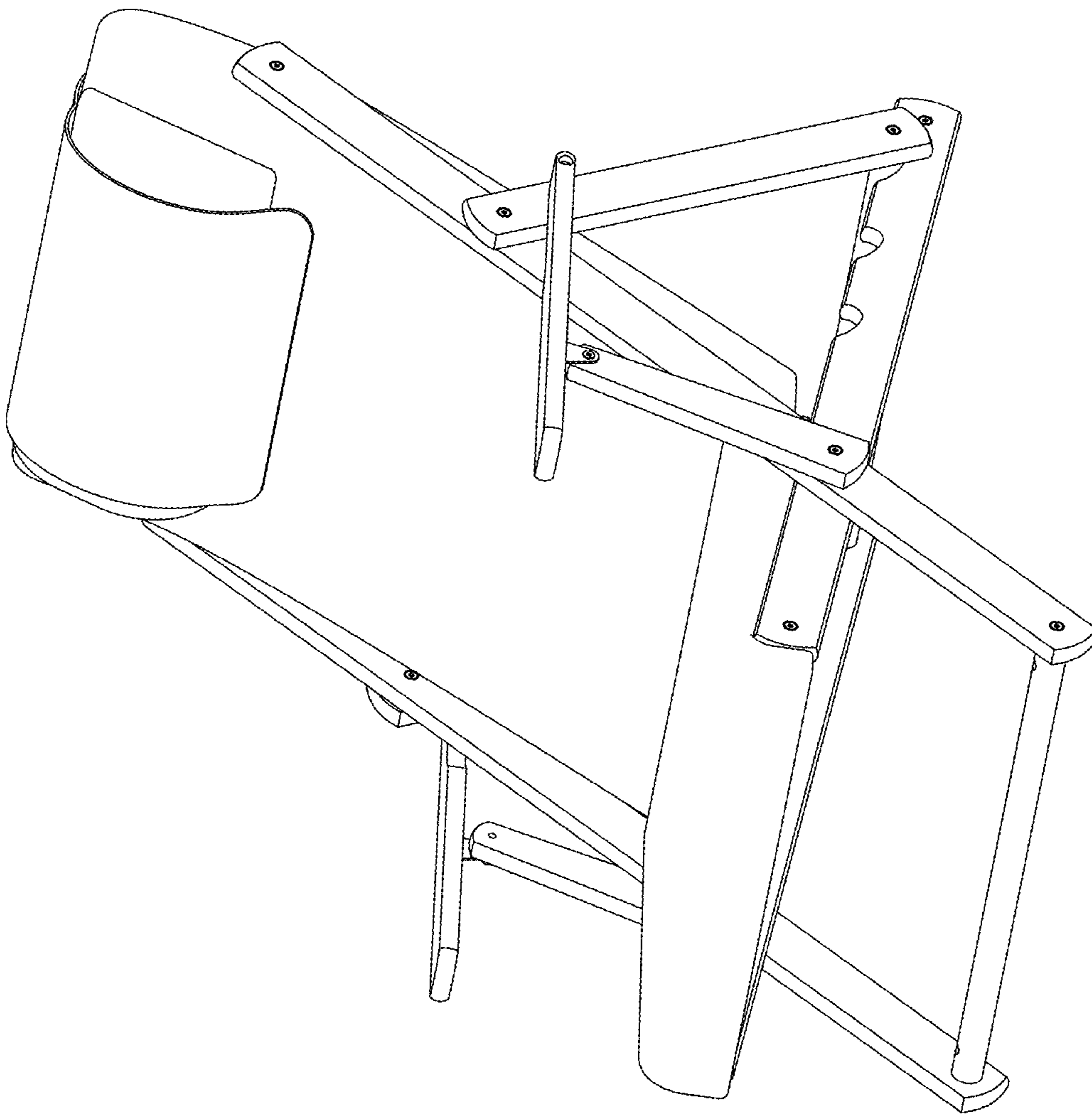


Fig. 8

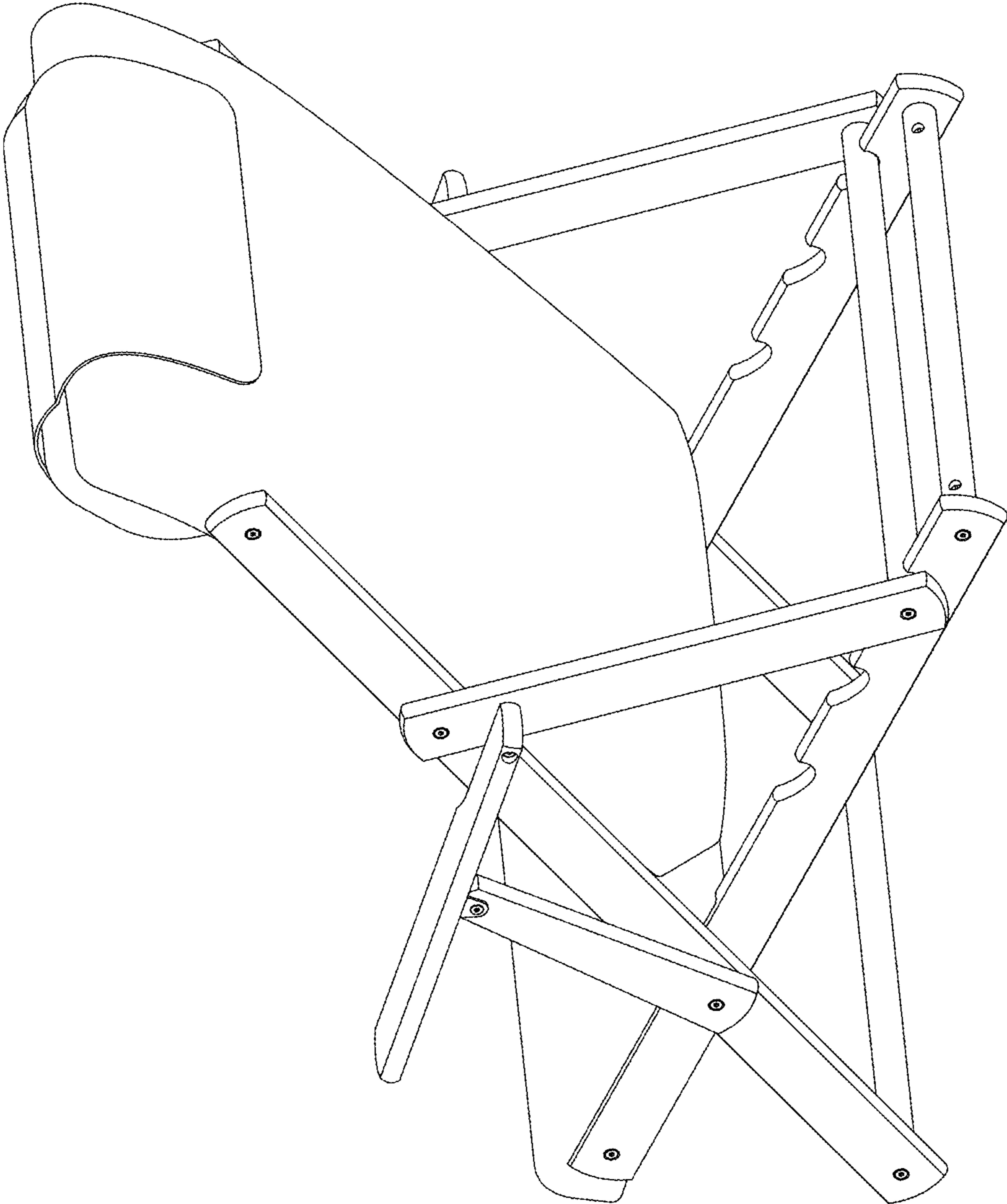


Fig. 9