



US00D889868S

(12) **United States Design Patent**  
**Guelfo**

(10) **Patent No.:** **US D889,868 S**

(45) **Date of Patent:** **\*\* Jul. 14, 2020**

(54) **CHAIR**

(71) Applicant: **Okamura Corporation**, Yokohama-shi,  
Kanagawa (JP)

(72) Inventor: **Nicola Guelfo**, Moncalieri Turin (IT)

(73) Assignee: **Okamura Corporation**, Yokohama-shi,  
Kanagawa (JP)

(\*\*) Term: **15 Years**

(21) Appl. No.: **29/684,236**

(22) Filed: **Mar. 19, 2019**

(30) **Foreign Application Priority Data**

Sep. 20, 2018 (JP) ..... 2018-020470

(51) **LOC (12) Cl.** ..... **06-01**

(52) **U.S. Cl.**  
USPC ..... **D6/366**

(58) **Field of Classification Search**  
USPC ..... D6/334-336, 364, 365, 366, 374, 379,  
D6/380, 716, 716.1, 716.2, 716.4  
CPC ..... A47C 7/004; A47C 7/006; A47C 7/02;  
A47C 7/18; A47C 7/24; A47C 7/282;  
A47C 7/40; A47C 7/44; A47C 7/46;  
A47C 7/54; B60N 2/66

See application file for complete search history.

(56) **References Cited**

U.S. PATENT DOCUMENTS

D727,075 S *	4/2015	Usumoto	.....	D6/366
D773,872 S *	12/2016	Kim	.....	D6/716.2
D785,390 S *	5/2017	Tong	.....	D6/366
D800,472 S *	10/2017	Meda	.....	D6/366
D801,068 S *	10/2017	Meda	.....	D6/366
D846,294 S *	4/2019	Peterson	.....	D6/366
D851,952 S *	6/2019	Peterson	.....	D6/366
D852,524 S *	7/2019	Peterson	.....	D6/366
D852,525 S *	7/2019	Peterson	.....	D6/366

\* cited by examiner

*Primary Examiner* — Mimosa De

(74) *Attorney, Agent, or Firm* — Sughrue Mion, PLLC

(57) **CLAIM**

The ornamental design for a chair, as shown and described.

**DESCRIPTION**

FIG. 1 is a front perspective view of a chair showing my design;  
FIG. 2 is a rear perspective view thereof;  
FIG. 3 is a front elevation view thereof;  
FIG. 4 is a rear elevation view thereof;  
FIG. 5 is a left side elevation view thereof;  
FIG. 6 is a right side elevation view thereof;  
FIG. 7 is a top plan view thereof; and,  
FIG. 8 is a bottom plan view thereof.

**1 Claim, 8 Drawing Sheets**





FIG. 1





FIG. 2





FIG. 3

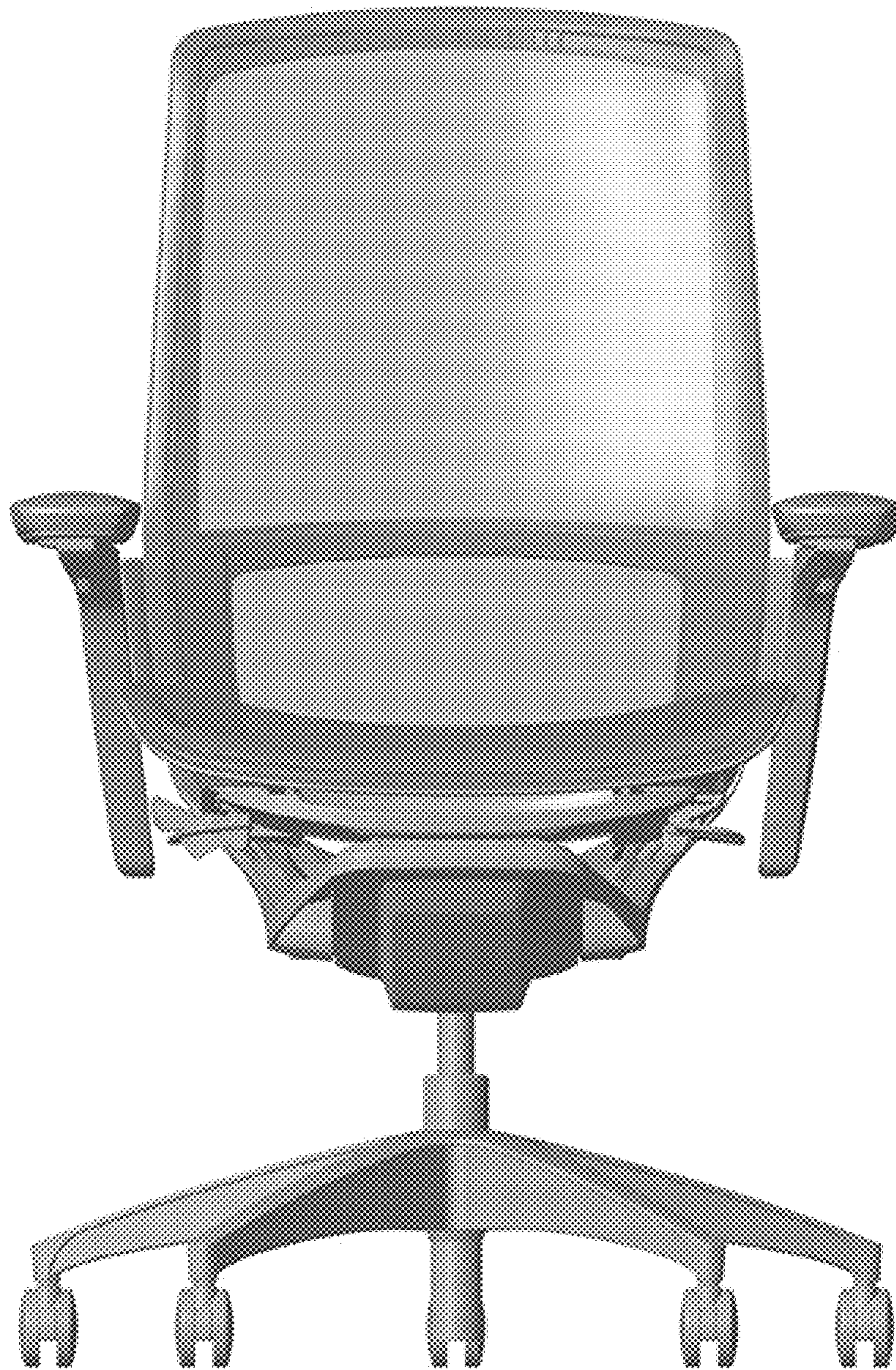




FIG. 4



FIG. 5





FIG. 6



FIG. 7

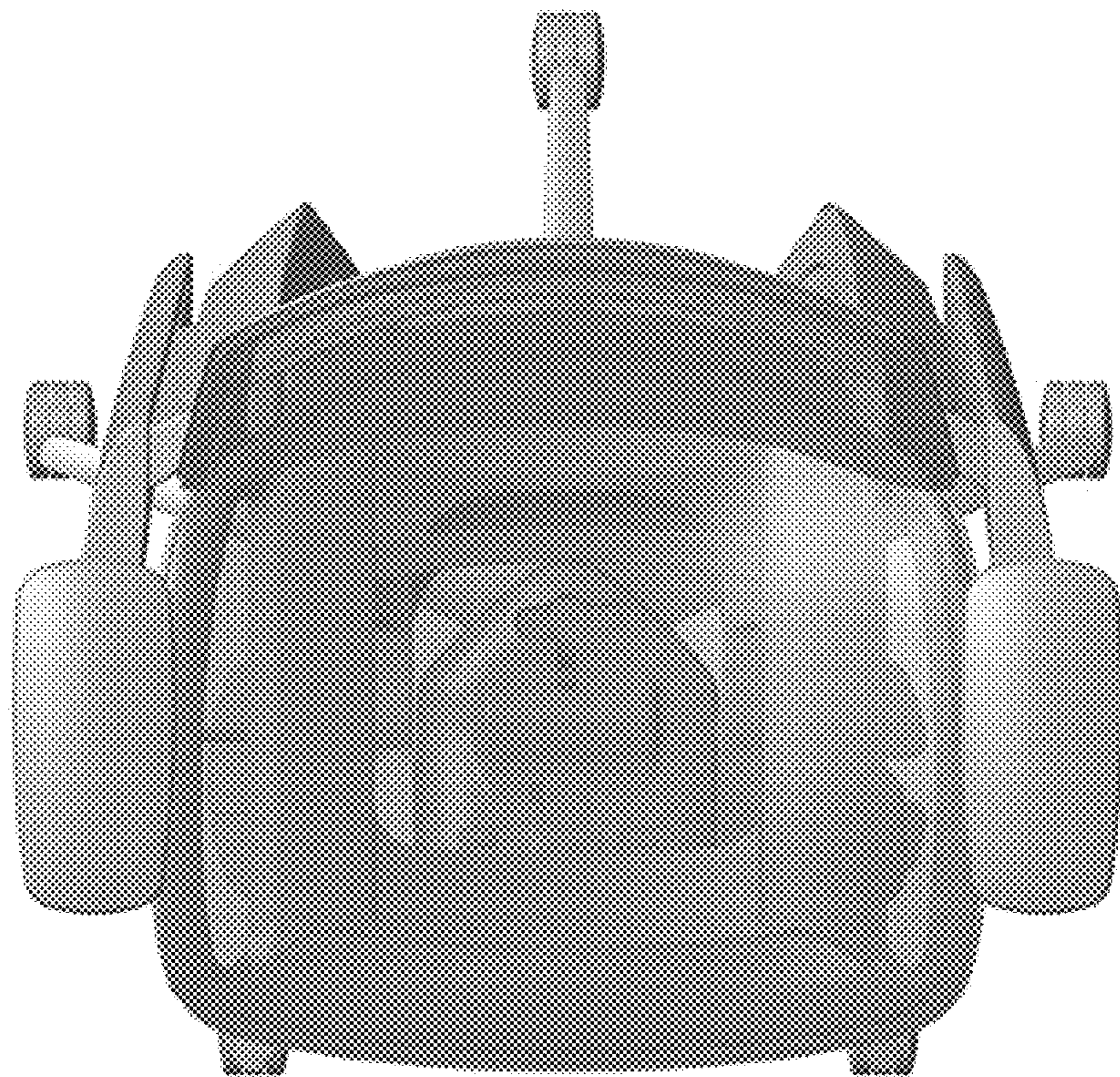




FIG. 8

