



US00D889867S

(12) **United States Design Patent**
Guelfo

(10) **Patent No.:** **US D889,867 S**

(45) **Date of Patent:** **** Jul. 14, 2020**

(54) **CHAIR**

(71) Applicant: **Okamura Corporation**, Yokohama-shi,
Kanagawa (JP)

(72) Inventor: **Nicola Guelfo**, Moncalieri Turin (IT)

(73) Assignee: **Okamura Corporation**, Yokohama-shi,
Kanagawa (JP)

(**) Term: **15 Years**

(21) Appl. No.: **29/684,230**

(22) Filed: **Mar. 19, 2019**

(30) **Foreign Application Priority Data**

Sep. 20, 2018 (JP) 2018-020471

(51) **LOC (12) Cl.** **06-01**

(52) **U.S. Cl.**
USPC **D6/366**

(58) **Field of Classification Search**

USPC D6/334-336, 364, 365, 366, 374, 379,
D6/380, 716, 716.1, 716.2, 716.4

CPC A47C 7/004; A47C 7/006; A47C 7/02;
A47C 7/18; A47C 7/24; A47C 7/282;
A47C 7/40; A47C 7/44; A47C 7/46;
A47C 7/54; B60N 2/66

See application file for complete search history.

(56) **References Cited**

U.S. PATENT DOCUMENTS

D472,722 S * 4/2003 Moll D6/366
D661,135 S * 6/2012 Diffrient D6/716.2

D727,075 S * 4/2015 Usumoto D6/366
D773,872 S * 12/2016 Kim D6/716.2
D785,390 S * 5/2017 Tong D6/366
D800,472 S * 10/2017 Meda D6/366
D801,068 S * 10/2017 Meda D6/366
D846,294 S * 4/2019 Peterson D6/366
D851,952 S * 6/2019 Peterson D6/366
D852,524 S * 7/2019 Peterson D6/366
D852,525 S * 7/2019 Peterson D6/366

* cited by examiner

Primary Examiner — Mimosa De

(74) *Attorney, Agent, or Firm* — Sughrue Mion, PLLC

(57) **CLAIM**

The ornamental design for a chair, as shown and described.

DESCRIPTION

FIG. 1 is a front perspective view of a chair showing my design;

FIG. 2 is a rear perspective view thereof;

FIG. 3 is a front elevation view thereof;

FIG. 4 is a rear elevation view thereof;

FIG. 5 is a left side elevation view thereof;

FIG. 6 is a right side elevation view thereof;

FIG. 7 is a top plan view thereof; and,

FIG. 8 is a bottom plan view thereof.

1 Claim, 8 Drawing Sheets



FIG. 1



FIG. 2



FIG. 3

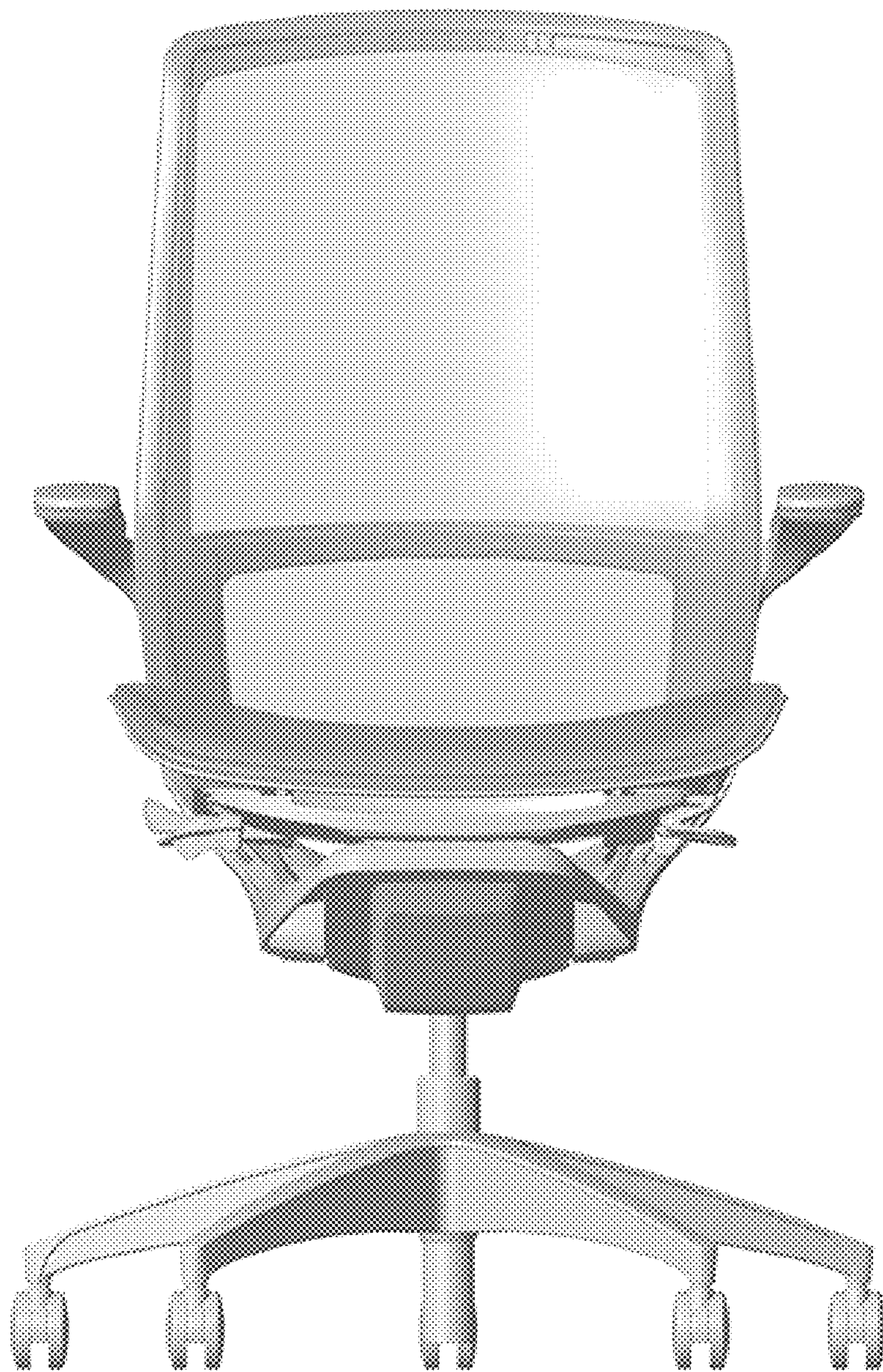


FIG. 4



FIG. 5



FIG. 6



FIG. 7

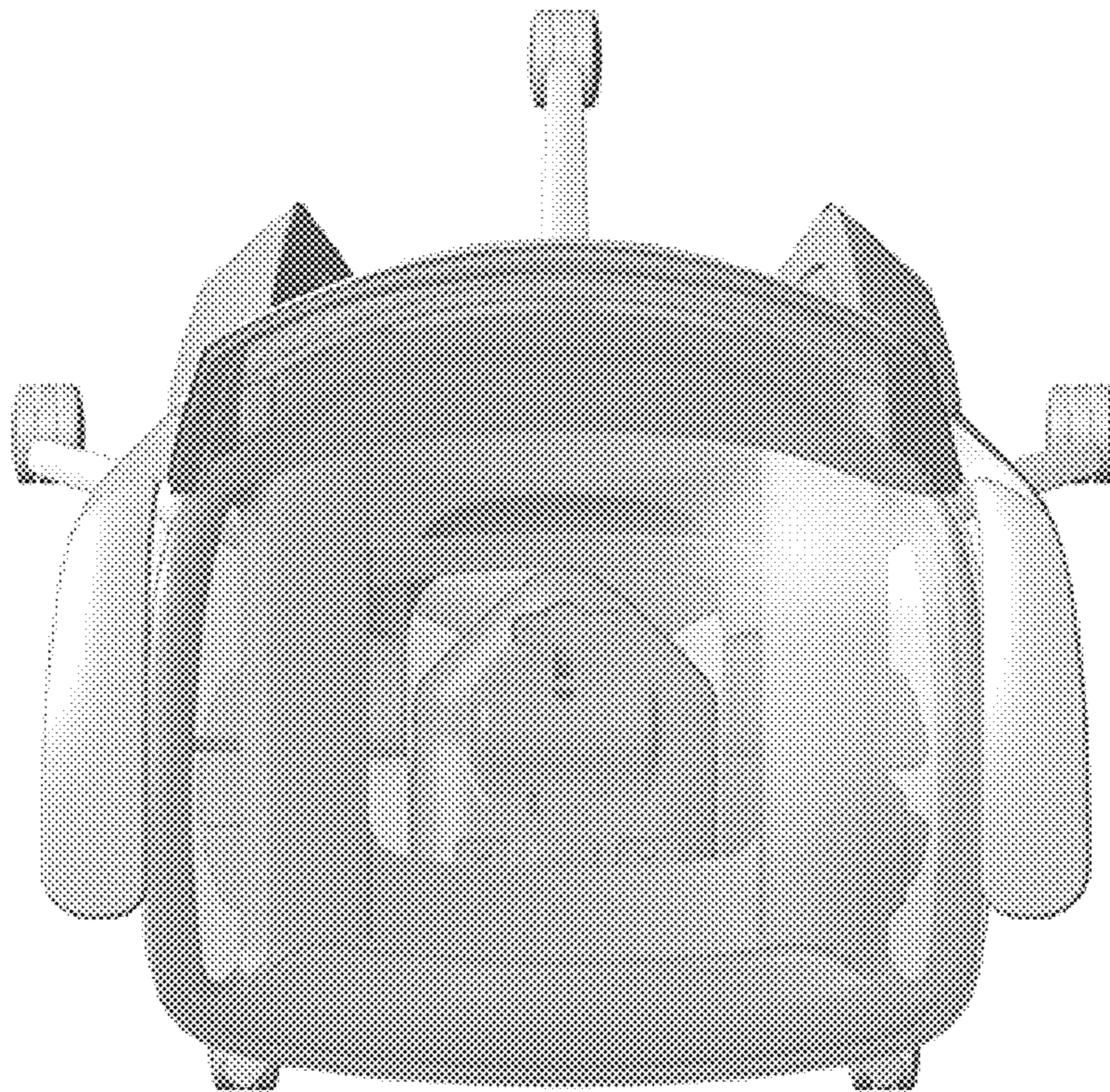


FIG. 8

