



US00D889865S

(12) **United States Design Patent**
Corrado

(10) **Patent No.:** **US D889,865 S**
(45) **Date of Patent:** **** Jul. 14, 2020**

(54) **LOUNGE CHAIR**

D798,068 S * 9/2017 Iqbal D6/334
D798,617 S * 10/2017 Iqbal D6/334
D810,486 S * 2/2018 Bouroullec D6/709.2

(Continued)

(71) Applicant: **Blu Dot Design & Manufacturing, Inc.**, Minneapolis, MN (US)

(72) Inventor: **Colin Corrado**, Minneapolis, MN (US)

(73) Assignee: **Blu Dot Design & Manufacturing, Inc.**, Minneapolis, MN (US)

(**) Term: **15 Years**

(21) Appl. No.: **29/679,338**

(22) Filed: **Feb. 5, 2019**

(51) **LOC (12) Cl.** **06-01**

(52) **U.S. Cl.**

USPC **D6/366; D6/375**

(58) **Field of Classification Search**

USPC D6/366, 367, 368, 369, 716.7, 708.16,
D6/708.23, 372, 334, 361, 364, 375, 716,
D6/360, 373, 348, 379, 358, 716.4,
D6/707.16, 362, 339, 329, 374, 342, 330,
D6/332, 320, 315, 380, 376, 708.18,
D6/709.2

CPC .. A47C 4/028; A47C 4/02; A47C 7/18; A47C
7/40; A47C 7/383; A47C 7/506; A47C
9/007; A47C 13/023; A47C 1/124; A47C
1/04; A47C 1/16; A47C 7/16; A47C 3/04;
A47C 3/00; B60N 2/0715; B60N 2/22;
B60N 2/48; B60N 2/449; B60N 2/4882;
A47D 1/00; B29L 2031/771

See application file for complete search history.

(56) **References Cited**

U.S. PATENT DOCUMENTS

D196,429 S * 10/1963 Johnson D6/366
D568,617 S * 5/2008 Jehs D6/366
D613,956 S * 4/2010 Jehs D6/375
D649,797 S * 12/2011 Lievore D6/366
D749,867 S * 2/2016 Urquiola D6/366
D764,824 S * 8/2016 Miller D6/374
D779,246 S * 2/2017 Young D6/708.16

FOREIGN PATENT DOCUMENTS

WO D202022-012 * 12/2018
WO D204093-005 * 2/2019
WO D204093-007 * 2/2019

OTHER PUBLICATIONS

Blu Dot, Blu Dot Nonesuch Swivel Leather Lounge Chair, [online]retrieved Apr. 2, 2020, available from internet, <https://www.2modern.com/> (Year: 2020).*

(Continued)

Primary Examiner — Keli L Hill

Assistant Examiner — Sara S Sahneh

(74) *Attorney, Agent, or Firm* — Fredrikson & Byron, P.A.

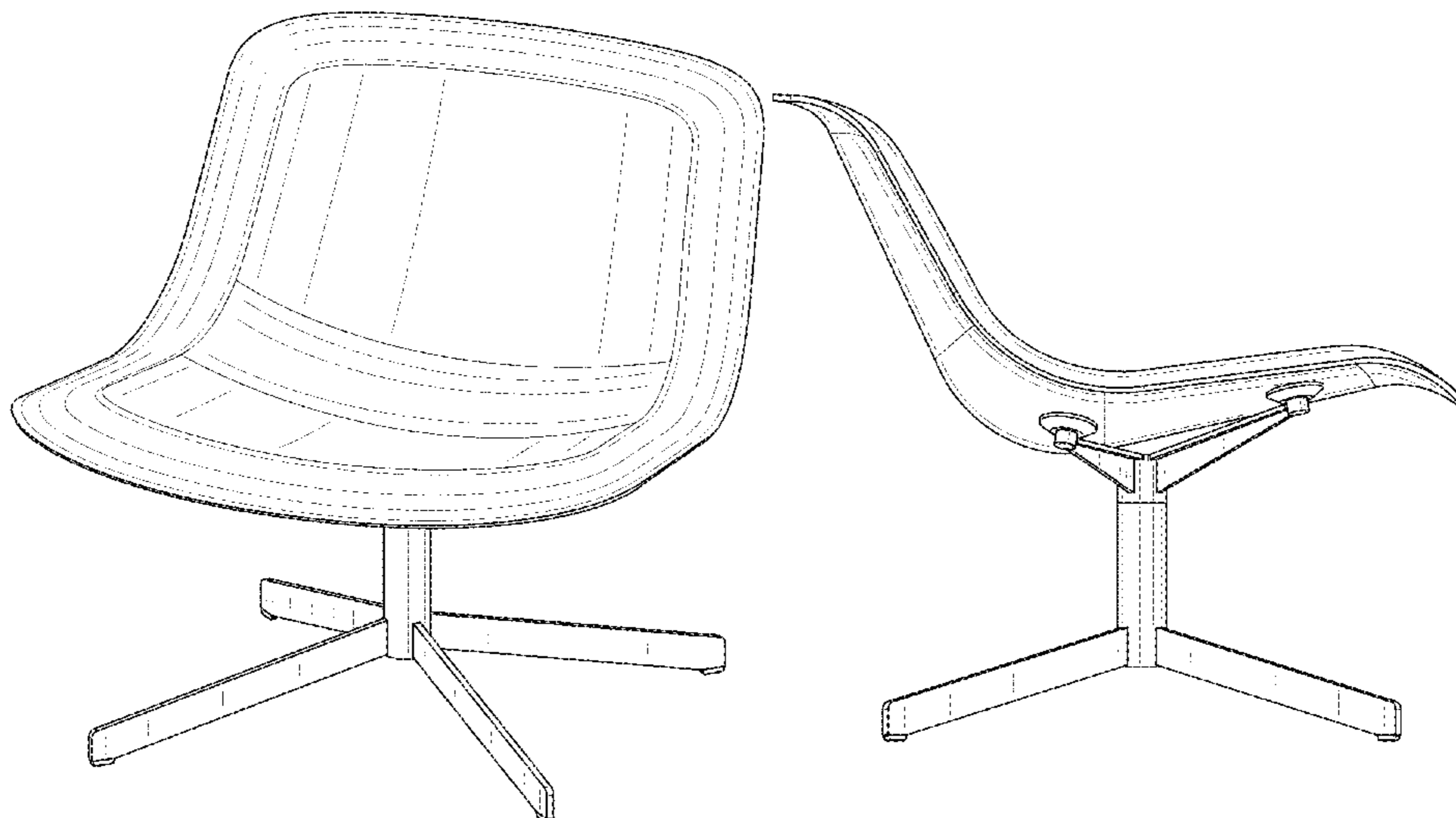
(57) **CLAIM**

Applicant claims the ornamental design for a lounge chair, as shown and described.

DESCRIPTION

FIG. 1 is a front upper perspective view of a lounge chair of applicant's design;
FIG. 2 is a front elevational view thereof;
FIG. 3 is a rear elevational view thereof;
FIG. 4 is a first side elevational view thereof;
FIG. 5 is a second side elevational view thereof, the second side elevational view being opposite the first side elevational view;
FIG. 6 is a top plan view thereof; and,
FIG. 7 is a bottom plan view thereof.
Where included, broken lines showing environment or structure are for illustrative purposes only and form no part of the claimed design.

1 Claim, 7 Drawing Sheets



(56)

References Cited

U.S. PATENT DOCUMENTS

D822,418 S	*	7/2018	Swy	D6/708
D836,360 S	*	12/2018	Novak	D6/375
D859,021 S	*	9/2019	Novak	D6/369
D867,780 S	*	11/2019	Krusin	D6/374
D869,188 S	*	12/2019	Parker	D6/375

OTHER PUBLICATIONS

Blu Dot, Blu Dot Nonesuch Swivel Lounge Chair, [online]retrieved Apr. 2, 2020, available from internet, <https://www.2modern.com/> (Year: 2020).*

Screen captures from YouTube video clip entitled “Blu Dot Wins Cooper Hewitt National Design Award” 4 pages, uploaded on May 11, 2018 by user “Blu Dot”. Retrieved from Internet: <<https://www.youtube.com/watch?v=Oq02jpDIYdU>> (Year: 2018).*

Blu Dot Catalog No. 16, Designed in Minneapolis, Minnesota, published 2015, 44 pgs.

Blu Dot Catalog No. 17, Designed in Minneapolis, Minnesota, published 2015, 52 pgs.

Blu Dot Catalog No. 18, Designed in Minneapolis, Minnesota, published 2016, 51 pgs.

Blu Dot Catalog No. 19, Designed in Minneapolis, Minnesota, published 2016, 54 pgs.

Blu Dot Catalog No. 21, Cat 17F-Book A, Designed in Minneapolis, Minnesota, Applicant believes reference was published and available more than one year prior to the filing date of the instant application, 51 pgs.

Blu Dot Catalog No. 21, Cat 17F-Book B, Designed in Minneapolis, Minnesota, Applicant believes reference was published and available more than one year prior to the filing date of the instant application, 51 pgs.

Blu Dot Catalog No. 22, Cat 18S-Book B, Designed in Minneapolis, Minnesota, Applicant believes reference was published and available more than one year prior to the filing date of the instant application, 33 pgs.

Blu Dot Catalog No. 22, Cat18Sm_RGB, Designed in Minneapolis, Minnesota, Applicant believes reference was published and available more than one year prior to the filing date of the instant application, 35 pgs.

* cited by examiner



FIG. 1

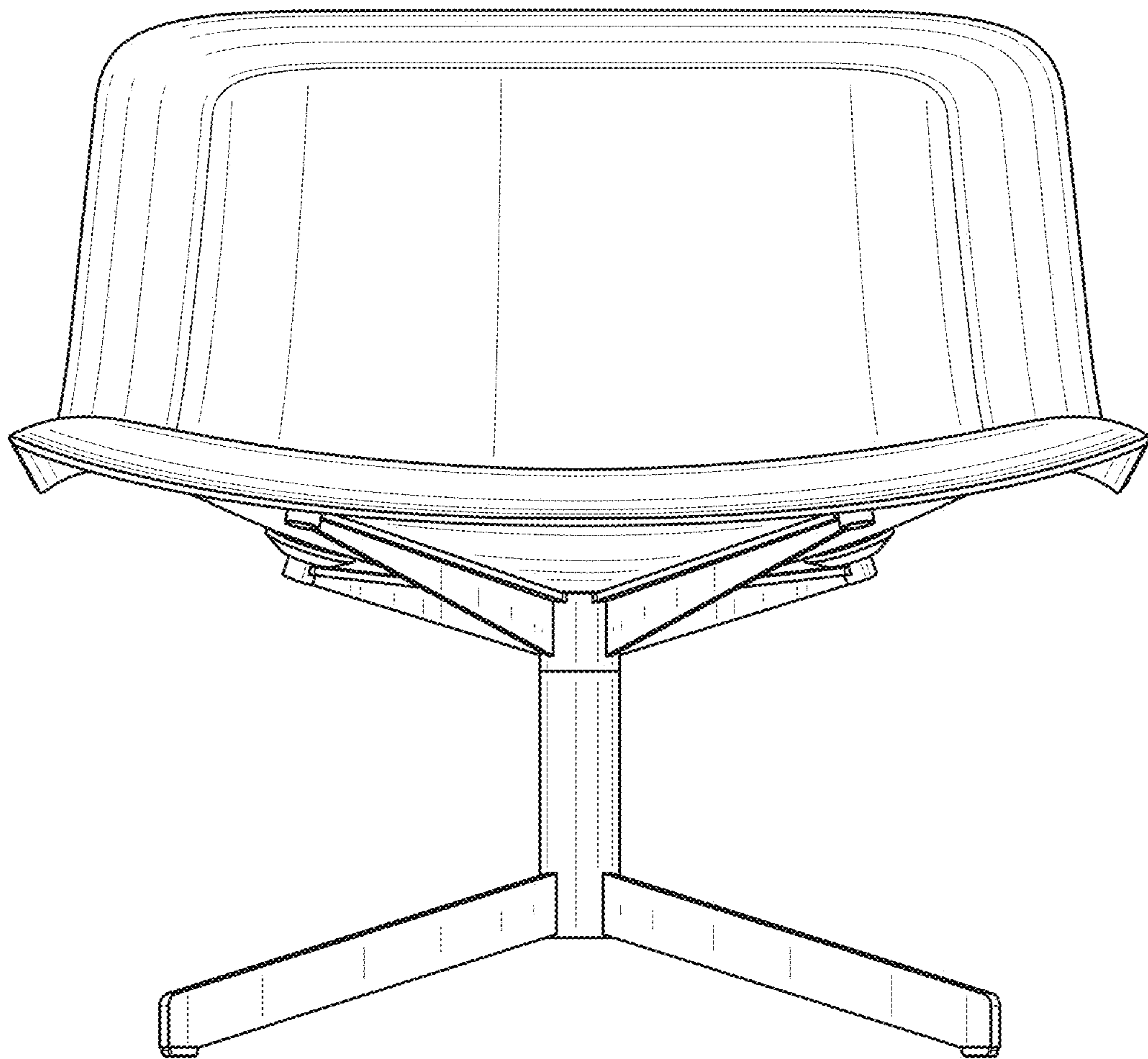


FIG. 2

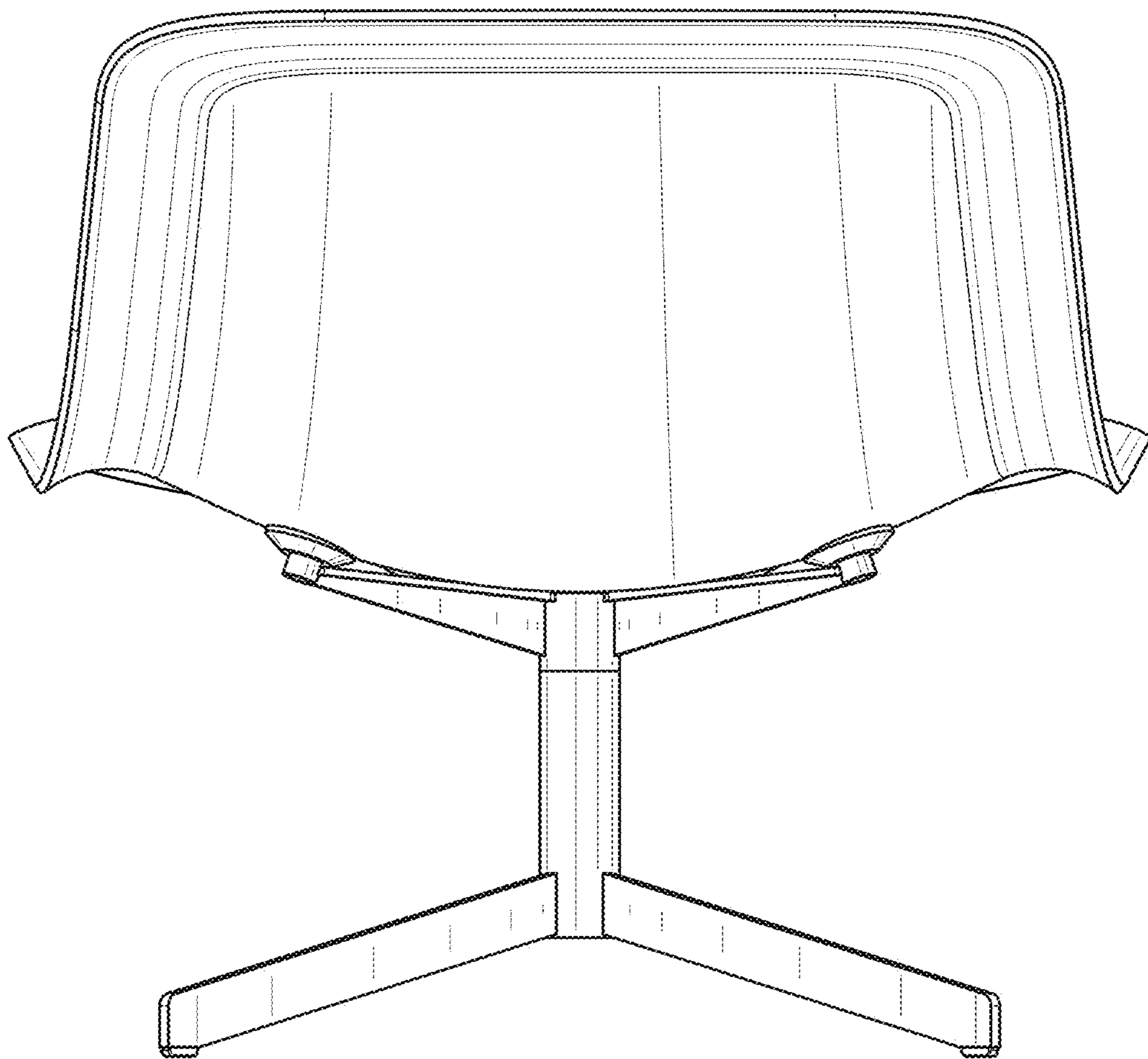


FIG. 3



FIG. 4



FIG. 5

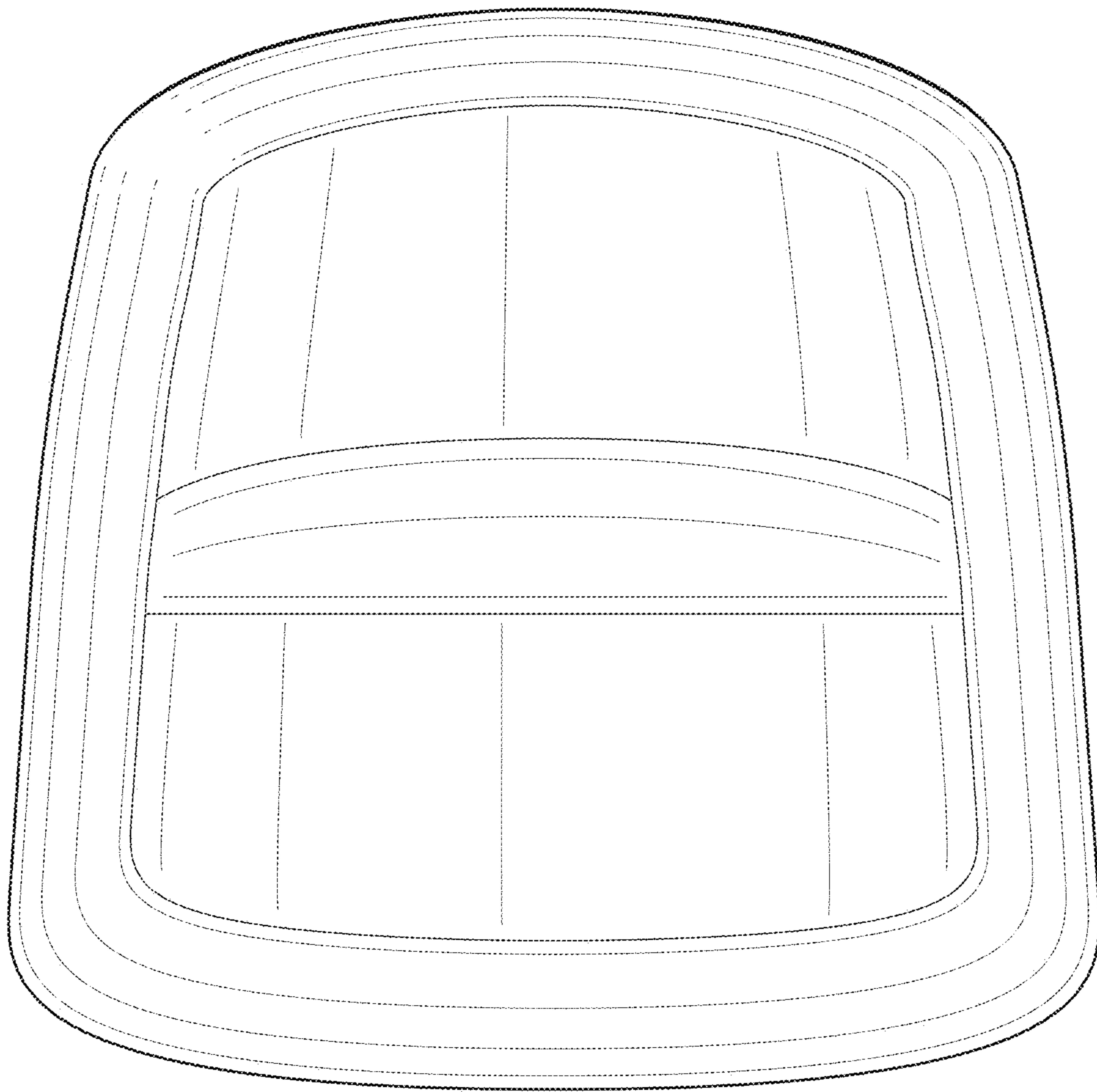


FIG. 6

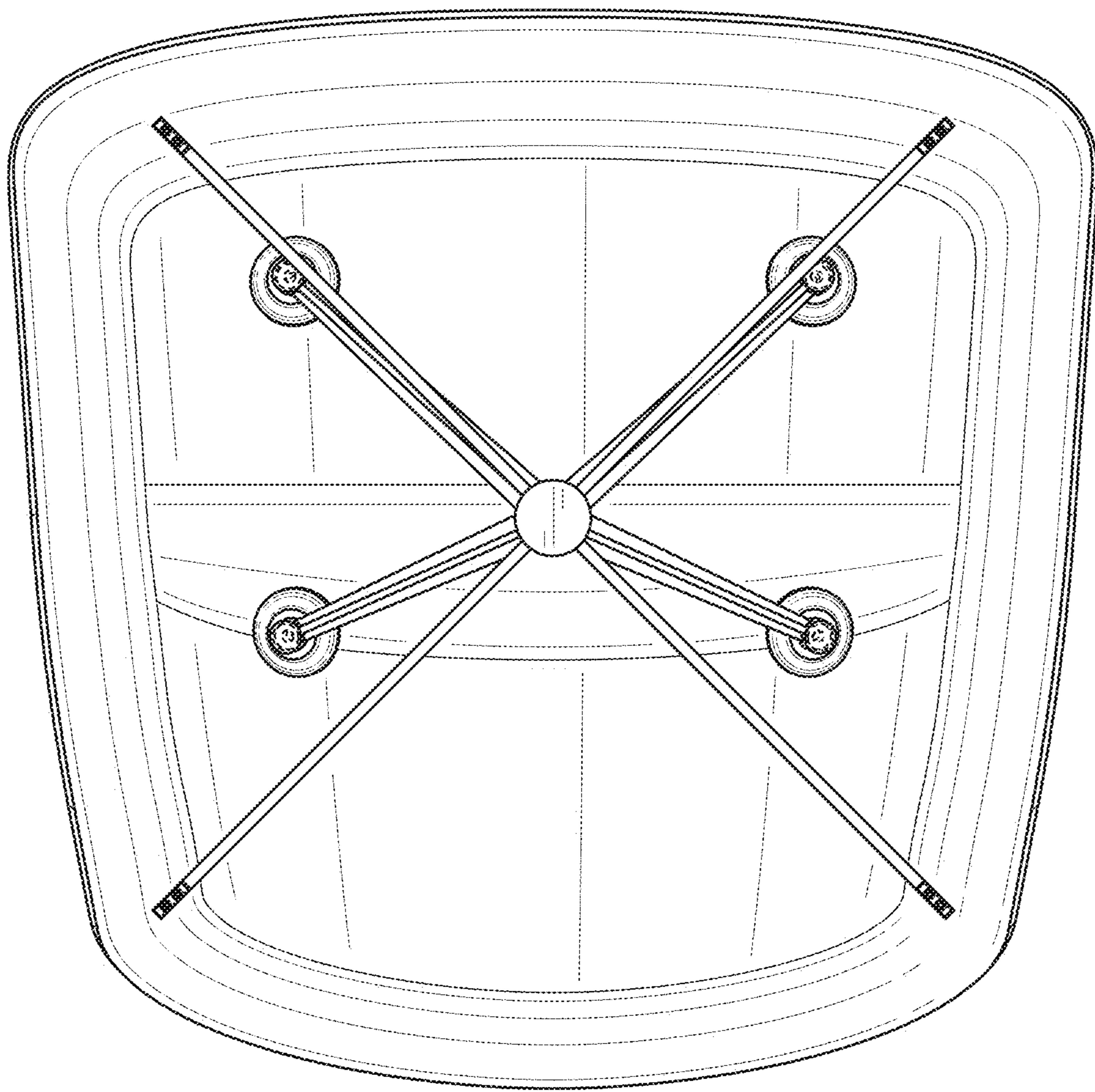


FIG. 7