



US00D889864S

(12) **United States Design Patent**
Bang et al.

(10) **Patent No.:** **US D889,864 S**
(45) **Date of Patent:** **** Jul. 14, 2020**

(54) **LOUNGE CHAIR**

(71) Applicant: **BOMBARDIER INC.**, Dorval (CA)

(72) Inventors: **Seung Joon Bang**, Laval (CA); **Louis Gagnon-Seguin**, Montreal (CA); **Philippe Erhel**, Montréal (CA); **Tim Fagan**, Beaconsfield (CA); **Alexandre Curthelet**, Montreal (CA)

(73) Assignee: **BOMBARDIER INC.**, Dorval (CA)

(**) Term: **15 Years**

(21) Appl. No.: **29/647,490**

(22) Filed: **May 14, 2018**

(51) **LOC (12) Cl.** **06-01**

(52) **U.S. Cl.**
USPC **D6/361; D6/356**

(58) **Field of Classification Search**
USPC D6/334, 361, 374, 377, 381, 596, 605;
D21/809
CPC A47C 7/16; A47C 7/18; A47C 7/24; A47C
17/00; A47C 17/02; A47C 17/86; A47C
17/14; A47C 17/16; A47C 17/18; A47C
3/14; A47C 3/16; A47C 1/00; A47C 1/02;
A47C 1/024; A47C 1/143; B64D 11/06
See application file for complete search history.

(56) **References Cited**

U.S. PATENT DOCUMENTS

2,031,124 A	5/1933	Perlesz et al.	
D144,677 S *	5/1946	Billet et al.	D6/361
D201,687 S *	7/1965	Barnett	D6/336
D217,449 S *	5/1970	Meyer	D6/361
D219,212 S *	11/1970	Eames	D6/361
4,006,503 A *	2/1977	Wood	B63B 34/50 441/129
D255,402 S *	6/1980	Lundgren	D6/361
D285,628 S *	9/1986	Zola	D6/361
D300,390 S *	3/1989	Soley	D6/361

D300,695 S *	4/1989	Yamasaki	D6/361
D340,813 S *	11/1993	Liu	D6/348
5,795,276 A *	8/1998	Almeda	A63B 21/00047 482/140
6,012,774 A	1/2000	Potter	(Continued)

OTHER PUBLICATIONS

Brusaferrri, Electronic massage table / wooden / with storage compartment—Florencelemi, <http://www.archiexpo.com/prod/lemi-brusaferrri/product-63252-1659547.html>, accessed on May 8, 2018.
(Continued)

Primary Examiner — Cathron C Brooks
(74) *Attorney, Agent, or Firm* — Norton Rose Fulbright Canada LLP

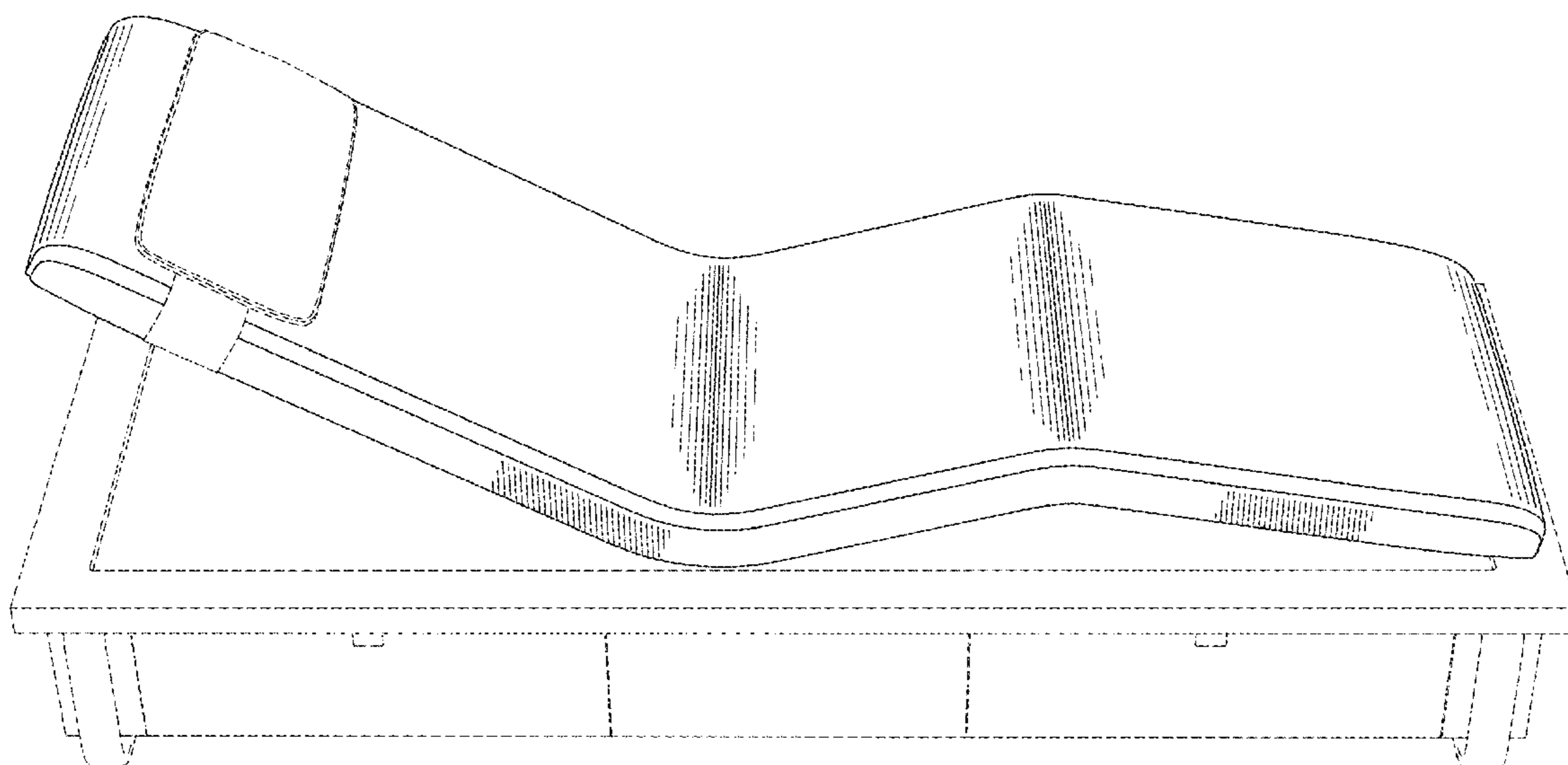
(57) **CLAIM**

The ornamental design for the lounge chair, as shown and described.

DESCRIPTION

FIG. 1 is a perspective view of a lounge chair showing an embodiment of our new design, the lounge chair being in a reclined configuration;
FIG. 2 is a top view thereof;
FIG. 3 is a front view thereof;
FIG. 4 is a right side view thereof;
FIG. 5 is a left side view thereof;
FIG. 6 is a perspective view of the lounge chair in a bench configuration;
FIG. 7 is a top view thereof;
FIG. 8 is a front view thereof; and,
FIG. 9 is a right side view thereof, the left side view being identical to the right side view.
The broken lines are directed to environment and are for illustrative purposes only. The broken lines form no part of the claimed design.

1 Claim, 9 Drawing Sheets



(56)

References Cited

OTHER PUBLICATIONS

U.S. PATENT DOCUMENTS

D439,063 S * 3/2001 Round D6/356
 D456,158 S * 4/2002 Van Severen D6/361
 D478,138 S * 8/2003 Juliusson D21/690
 D530,933 S * 10/2006 Vitaro D6/361
 D608,555 S * 1/2010 Aoki D6/344
 D643,637 S * 8/2011 Weichselbaumer D6/361
 D644,033 S * 8/2011 Weichselbaumer D6/361
 D648,551 S * 11/2011 Clark D6/361
 8,997,274 B2 4/2015 Phillips
 D745,786 S * 12/2015 Ko D6/361
 9,227,729 B2 1/2016 Udriste et al.
 9,241,571 B2 1/2016 Robertson
 D798,622 S * 10/2017 Grader D6/356
 D799,226 S * 10/2017 Grader D6/356
 D814,815 S * 4/2018 Velez D6/361
 D817,033 S * 5/2018 Christmas D6/605
 D850,131 S * 6/2019 Goode D6/356
 D850,132 S * 6/2019 Goode D6/356
 D850,133 S * 6/2019 Voorhees, Jr. D6/361
 D856,692 S * 8/2019 Veneruso D6/356
 D864,640 S * 10/2019 Saotome D6/716
 D875,412 S * 2/2020 Davis, III D6/361
 2014/0010387 A1* 1/2014 Cohen A61H 23/0236
 381/151
 2014/0041121 A1 2/2014 Shan
 2014/0352068 A1 12/2014 Xu
 2017/0112289 A1* 4/2017 Wickett A47C 7/60
 2018/0118350 A1 5/2018 Davis et al.

Essential Kneads, Lemi Amanda, <http://www.essentialkneads.com.sg/product/lemi-amanda-3-motor-electric-lift-height-bac...>, accessed on May 8, 2018.
 Archiproducts, Nilo King Square, http://www.archiproducts.com/en/products/nilo/electric-massage-bed-king-square_305875, accessed on May 9, 2018.
 Thierry Dubois, DFS Offers Lower-cost Option for Falcon Refurb, Ebace Convention News, May 26, 2016.
 Sasan Magic Carpet, <https://freshome.com/2011/06/14/sasan-magic-carpet-displays-versatility-and-comfort/> . . . , accessed on May 8, 2018.
 Reverie Bed Reverie Dream Supreme, <http://tzface.com/reverie-bed/reverie-bed-reverie-dream-supreme-i-hybrid-mattress-luxury-reverie-dream-supreme-i-hybrid-mattress-split-king-dream-supreme-hybrid-1-base-3-with-curtains-bed-reverie-split-king-adjustable-bed-reviews/>, accessed on May 8, 2018.
 Versatile “Magic Carpet” is a sleep mat, lounge and cocoon, [https://boingboing.net/2011/06/22/versatile-magic-carp.html?utm_source=feedburner&utm_medium=feed&utm_campaign=Feed:+boingboing/iBag+\(Boing+Boing\)&utm_content=Google+Reader](https://boingboing.net/2011/06/22/versatile-magic-carp.html?utm_source=feedburner&utm_medium=feed&utm_campaign=Feed:+boingboing/iBag+(Boing+Boing)&utm_content=Google+Reader), accessed on May 8, 2018.
 Reverie Dream Supreme, <https://www.bestpricesonbeds.com/reverie-dream-supreme-i-hybrid-customizable-mattress/>, accessed on May 8, 2018.

* cited by examiner

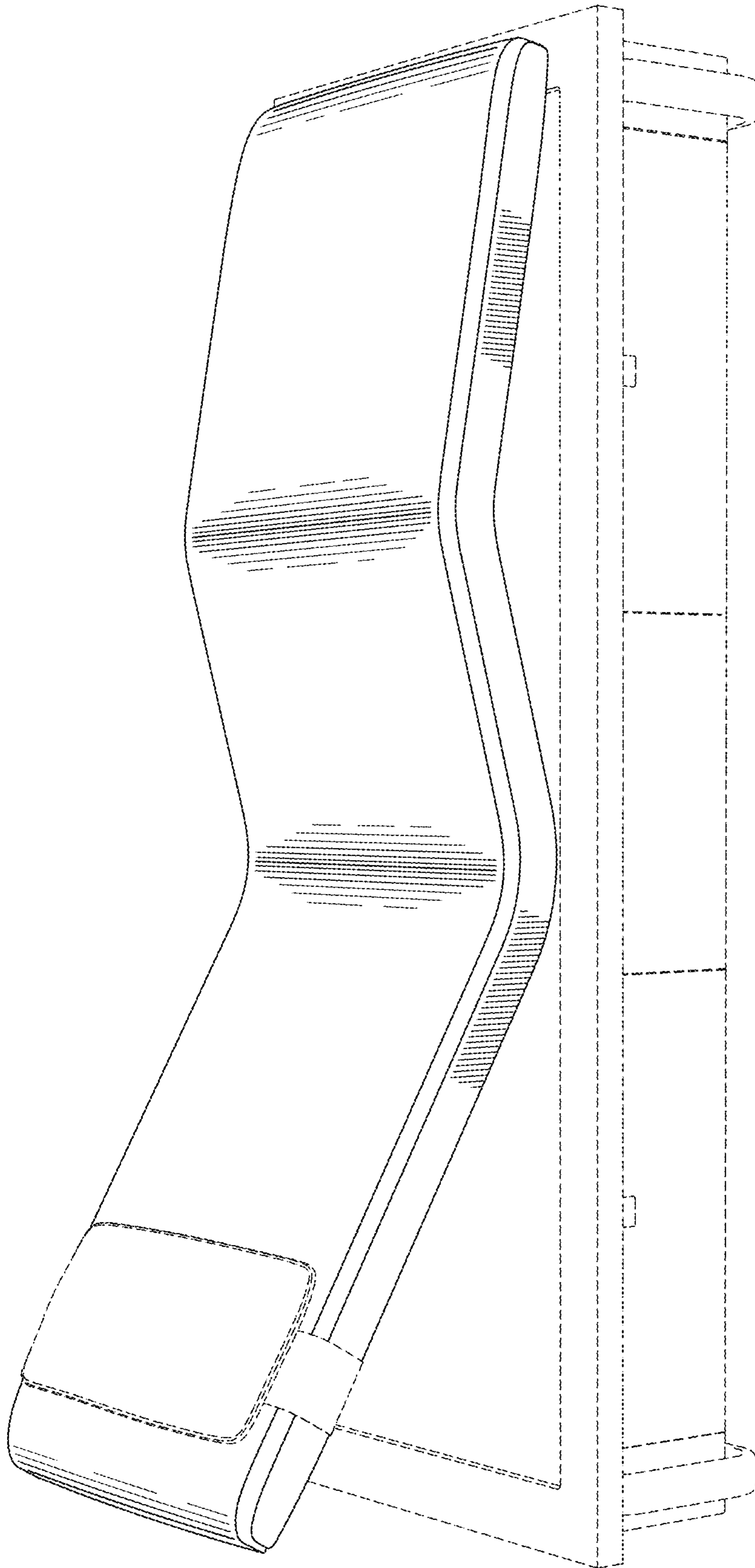


FIG. 1

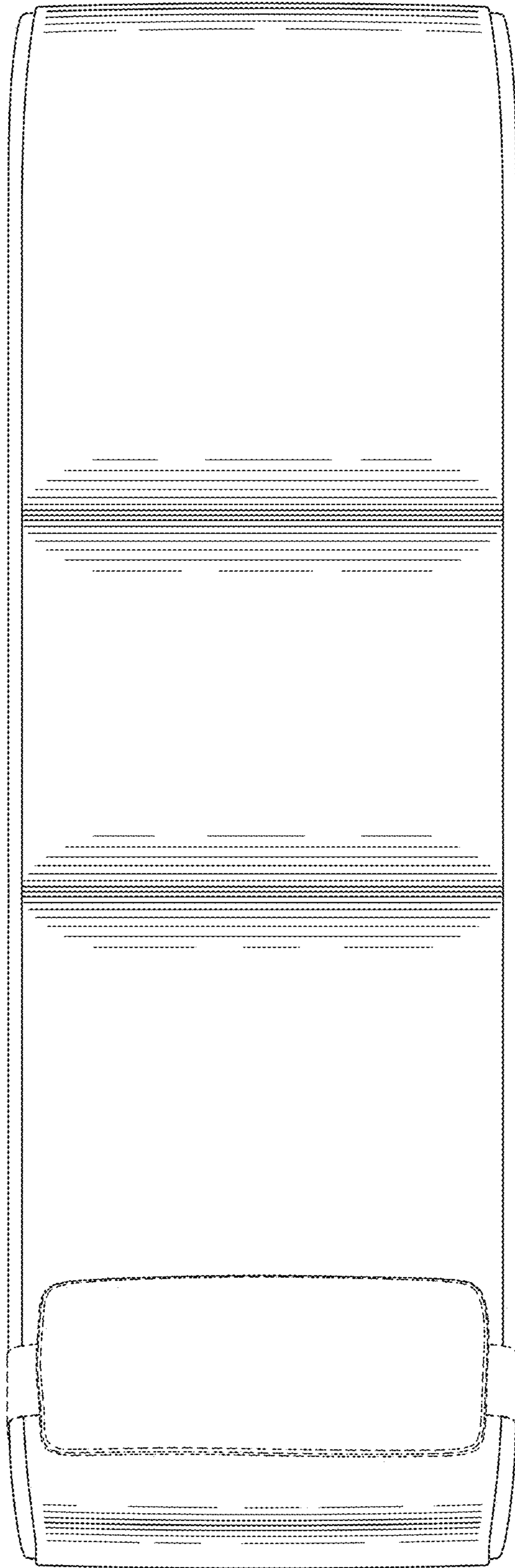
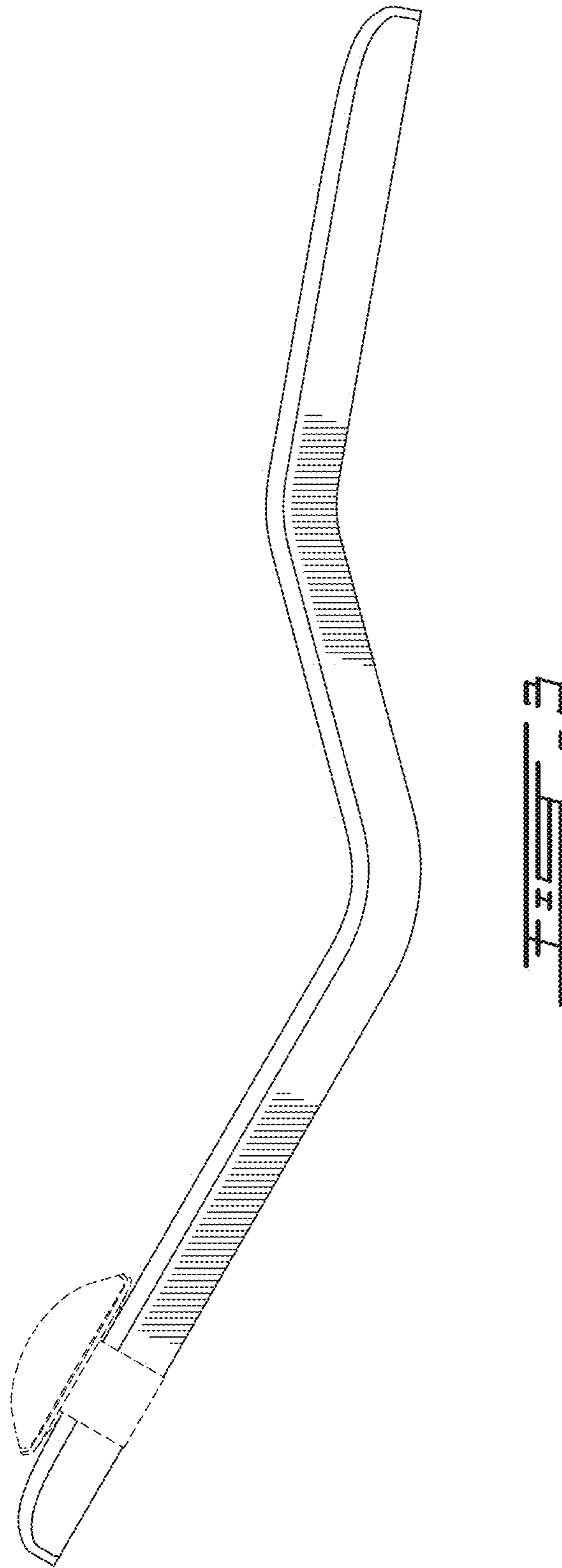


FIG. 2



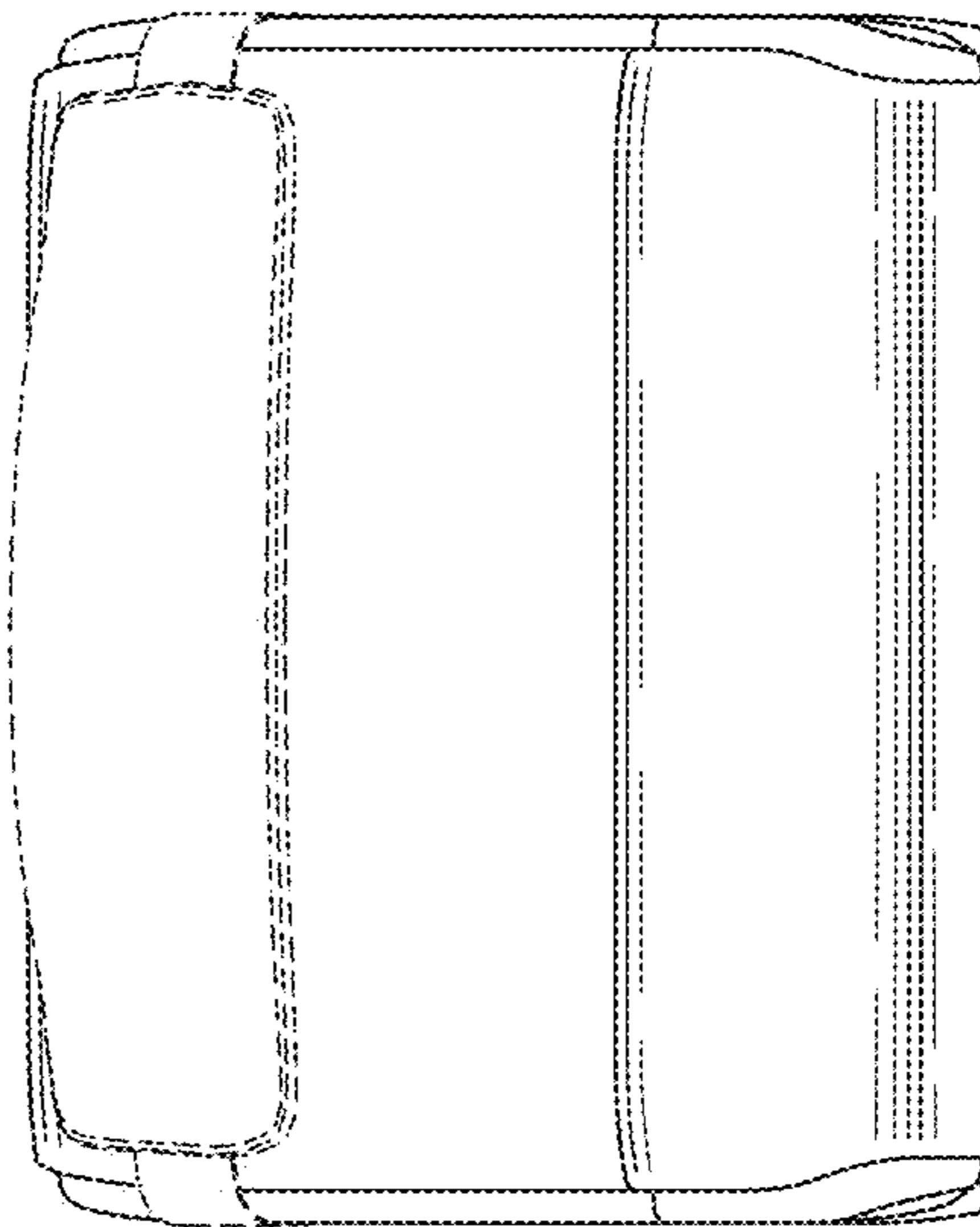


FIG. 4

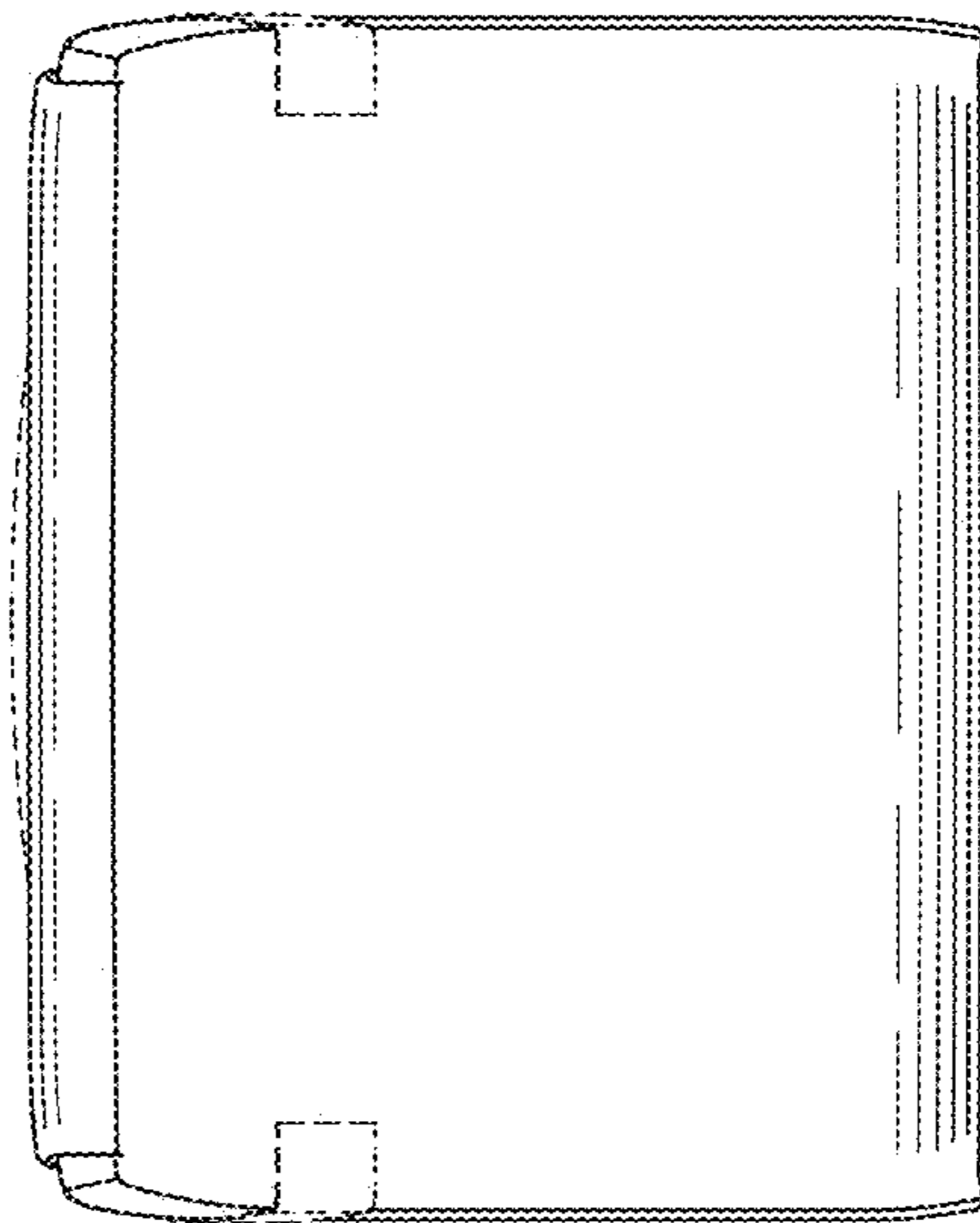


FIG. 5

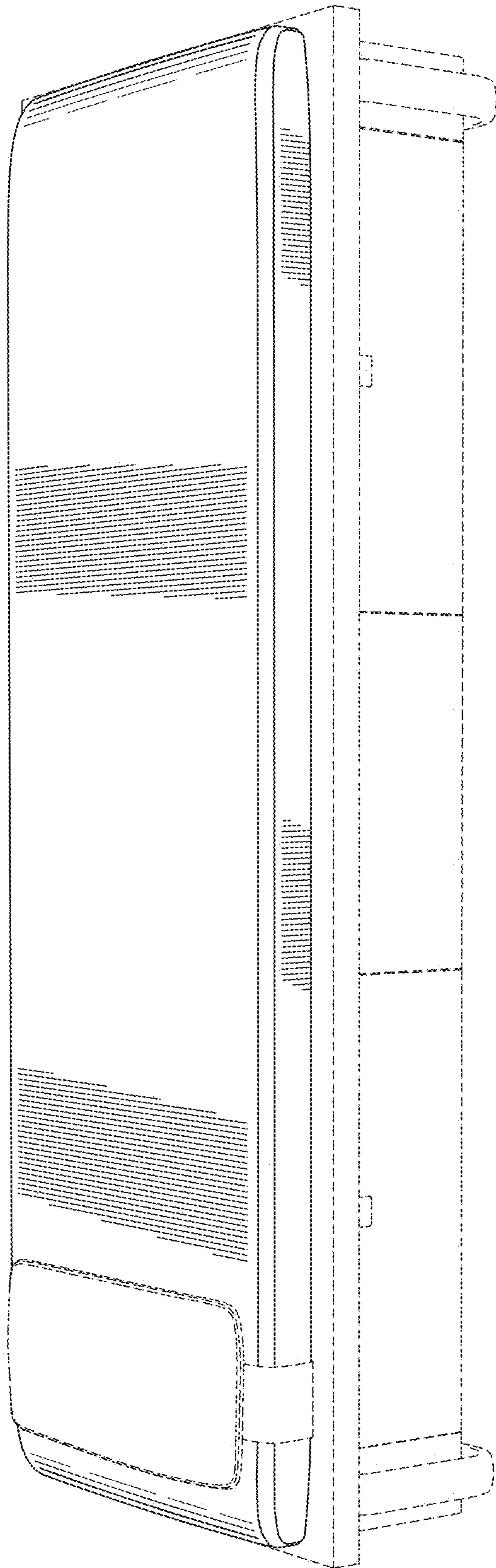


FIG. 6

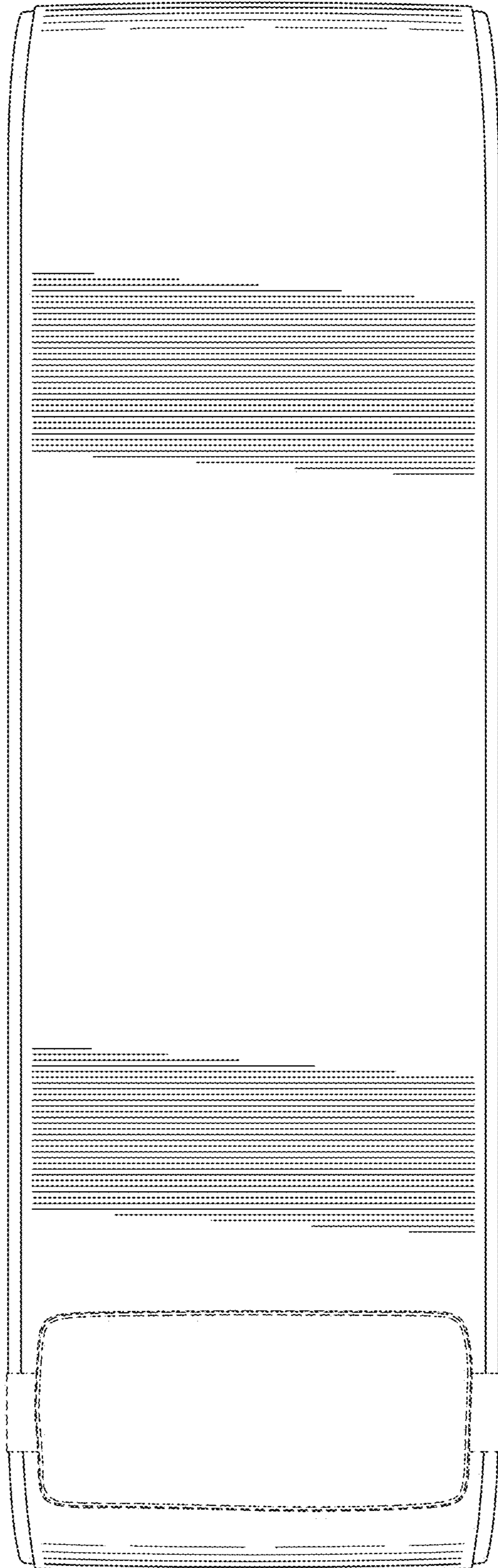


FIG. 7

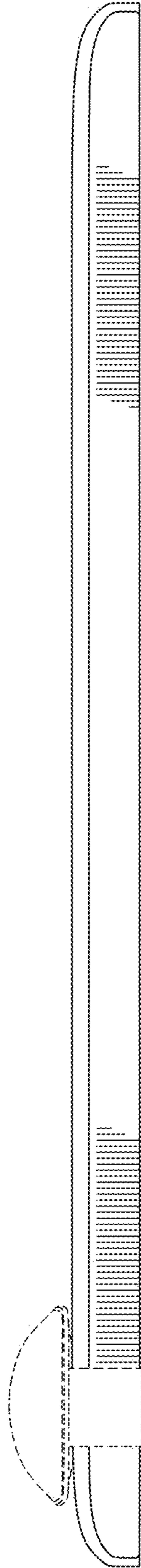


FIG. 8

