



US00D889863S

(12) **United States Design Patent** (10) **Patent No.:** **US D889,863 S**
Carter (45) **Date of Patent:** **** Jul. 14, 2020**

(54) **CHAIR**
(71) Applicant: **Blu Dot Design & Manufacturing, Inc.**, Minneapolis, MN (US)
(72) Inventor: **Michael Carter**, Bloomington, MN (US)

D807,091 S * 1/2018 Morrison D6/716
D850,138 S * 6/2019 Taraba D6/380
D854,848 S * 7/2019 Palomba D6/374
D863,805 S * 10/2019 Jones D6/374
D866,212 S * 11/2019 Morrison D6/374
D867,778 S * 11/2019 Giotti D6/360
D875,414 S * 2/2020 Li D6/375

(73) Assignee: **Blu Dot Design & Manufacturing, Inc.**, Minneapolis, MN (US)

(**) Term: **15 Years**

(21) Appl. No.: **29/684,765**

(22) Filed: **Mar. 23, 2019**

(51) **LOC (12) Cl.** **06-01**

(52) **U.S. Cl.**
USPC **D6/360**

(58) **Field of Classification Search**
USPC D6/334, 341, 349, 352, 353, 360, 364,
D6/373, 375, 677, 692, 700, 708, 716,
D6/350, 369, 708.16, 374, 379, 380
CPC A47C 3/34; A47C 7/506; A47C 9/007;
A47C 13/023; A47C 4/028; A47C 4/02
See application file for complete search history.

(56) **References Cited**

U.S. PATENT DOCUMENTS

D258,853 S * 4/1981 Zola D6/379
D357,592 S * 4/1995 Kellen D6/360
D502,331 S * 3/2005 Socha, Jr. et al. D6/374
D663,132 S * 7/2012 Morrison D6/375
D684,788 S * 6/2013 Diez D6/375
D693,139 S * 11/2013 Darrow D6/374
D695,036 S * 12/2013 Pesso D6/360
D739,663 S * 9/2015 Yuglich D6/380
D745,290 S * 12/2015 Diez D6/375
D763,004 S * 8/2016 Moscheri D6/380
D778,657 S * 2/2017 Morrison D6/373
D799,848 S * 10/2017 Morrison D6/380
D799,849 S * 10/2017 Giotti D6/380

OTHER PUBLICATIONS

Blu Dot Catalog No. 16, Designed in Minneapolis, Minnesota, published 2015, 44 pgs.
Blu Dot Catalog No. 17, Designed in Minneapolis, Minnesota, published 2015, 52 pgs.

(Continued)

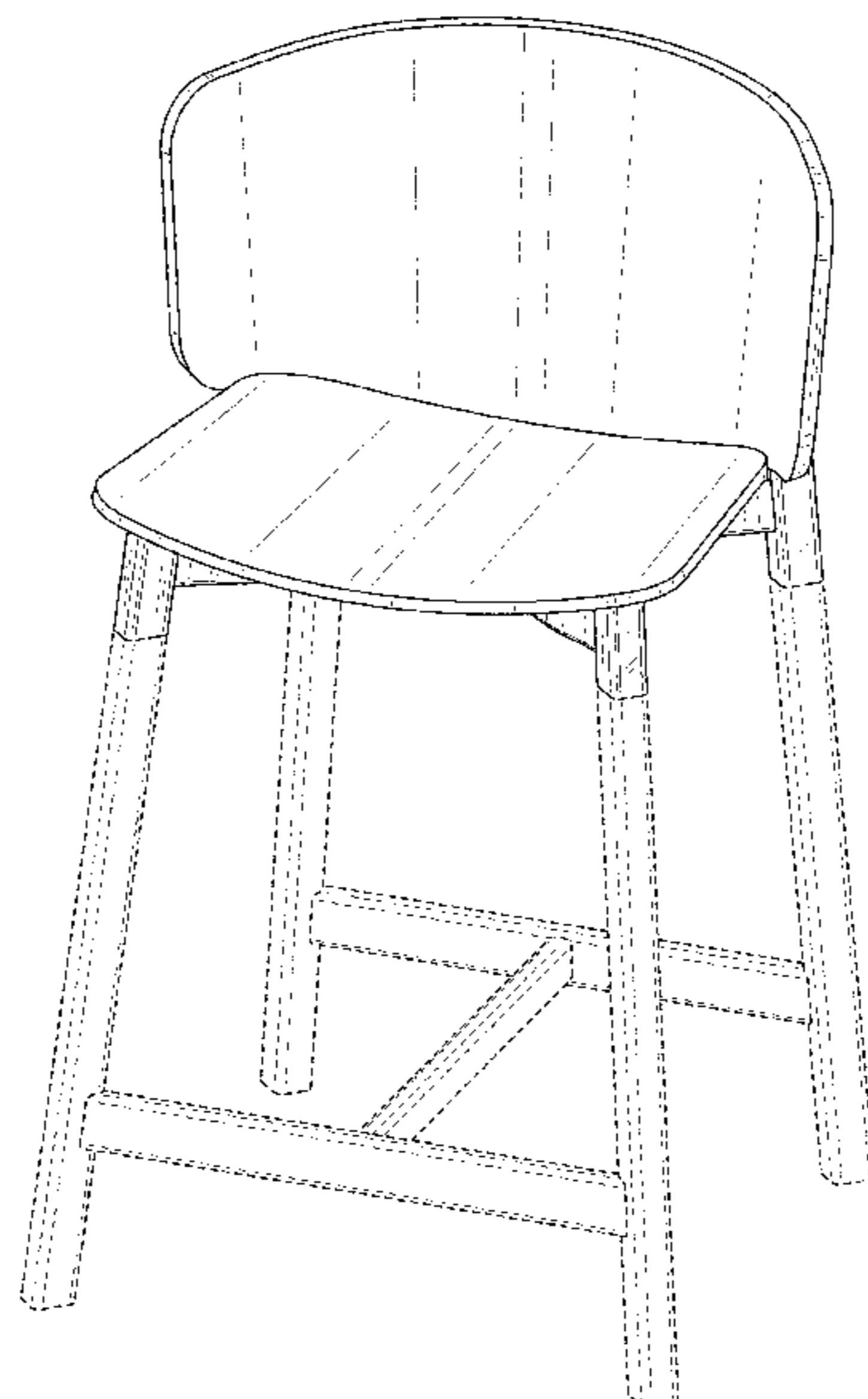
Primary Examiner — Kevin K Rudzinski
Assistant Examiner — Paul D Bohannon
(74) *Attorney, Agent, or Firm* — Fredrikson & Byron, P.A.

(57) **CLAIM**
Applicant claims the ornamental design for a chair, as shown and described.

DESCRIPTION

FIG. 1 is a front upper perspective view of a chair of Applicant's design;
FIG. 2 is a front elevational view thereof;
FIG. 3 is a rear elevational view thereof;
FIG. 4 is a first side elevational view thereof;
FIG. 5 is a second side elevational view thereof, the second side elevational view being opposite the first side elevational view;
FIG. 6 is a top plan view thereof; and,
FIG. 7 is a bottom plan view thereof.
Where included, broken lines showing environment or structure are for illustrative purposes only and form no part of the claimed design.

1 Claim, 7 Drawing Sheets



(56)

References Cited

OTHER PUBLICATIONS

Blu Dot Catalog No. 18, Designed in Minneapolis, Minnesota, published 2016, 51 pgs.

Blu Dot Catalog No. 19, Designed in Minneapolis, Minnesota, published 2016, 54 pgs.

Blu Dot Catalog No. 21, Cat 17F-Book A, Designed in Minneapolis, Minnesota, Applicant believes reference was published and available more than one year prior to the filing date of the instant application, 51 pgs.

Blu Dot Catalog No. 21, Cat 17F-Book B, Designed in Minneapolis, Minnesota, Applicant believes reference was published and available more than one year prior to the filing date of the instant application, 51 pgs.

Blu Dot Catalog No. 22, Cat 18S-Book B, Designed in Minneapolis, Minnesota, Applicant believes reference was published and available more than one year prior to the filing date of the instant application, 33 pgs.

Blu Dot Catalog No. 22, Cat18Sm_RGB, Designed in Minneapolis, Minnesota, Applicant believes reference was published and available more than one year prior to the filing date of the instant application, 33 pgs.

* cited by examiner

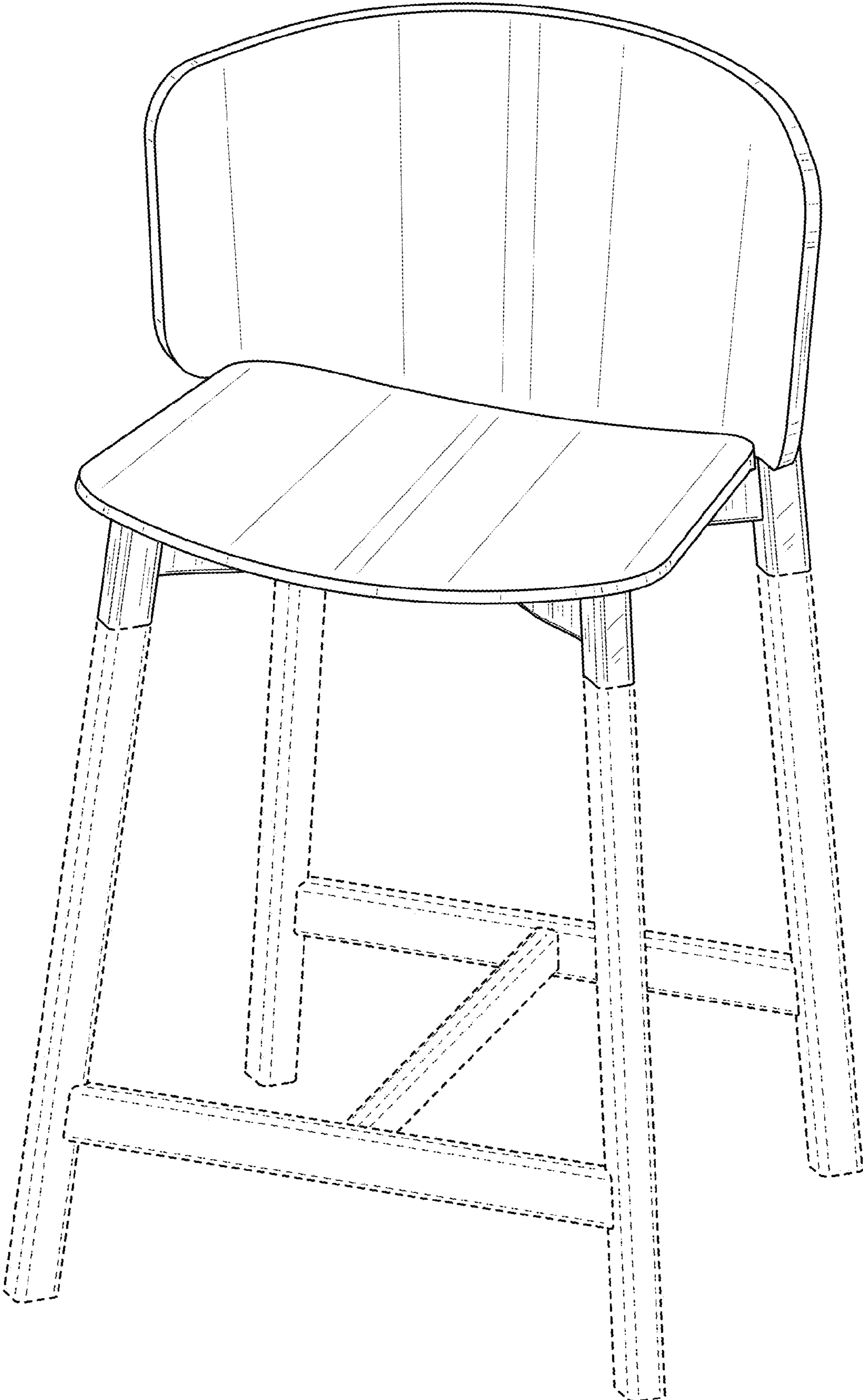


FIG. 1

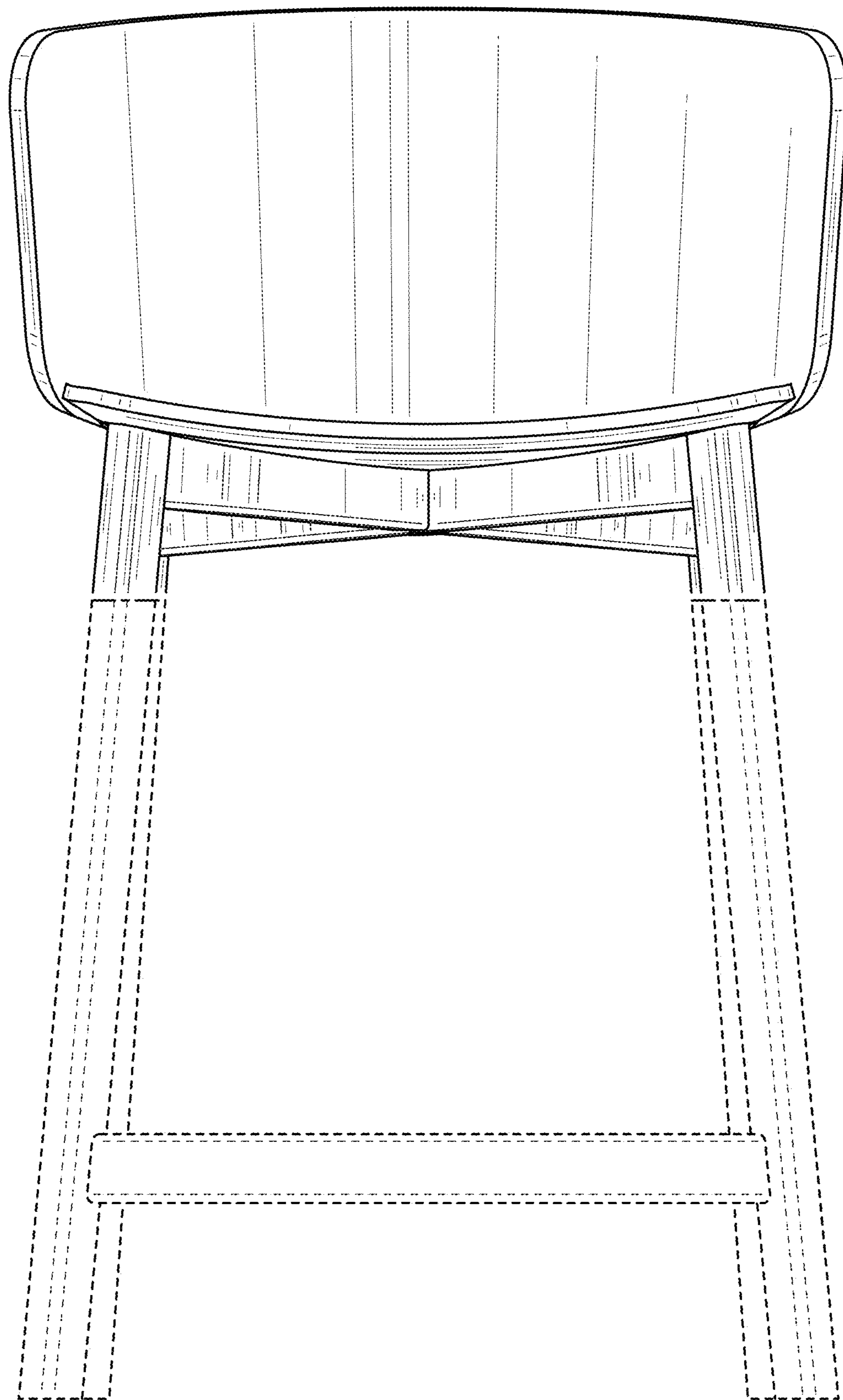


FIG. 2

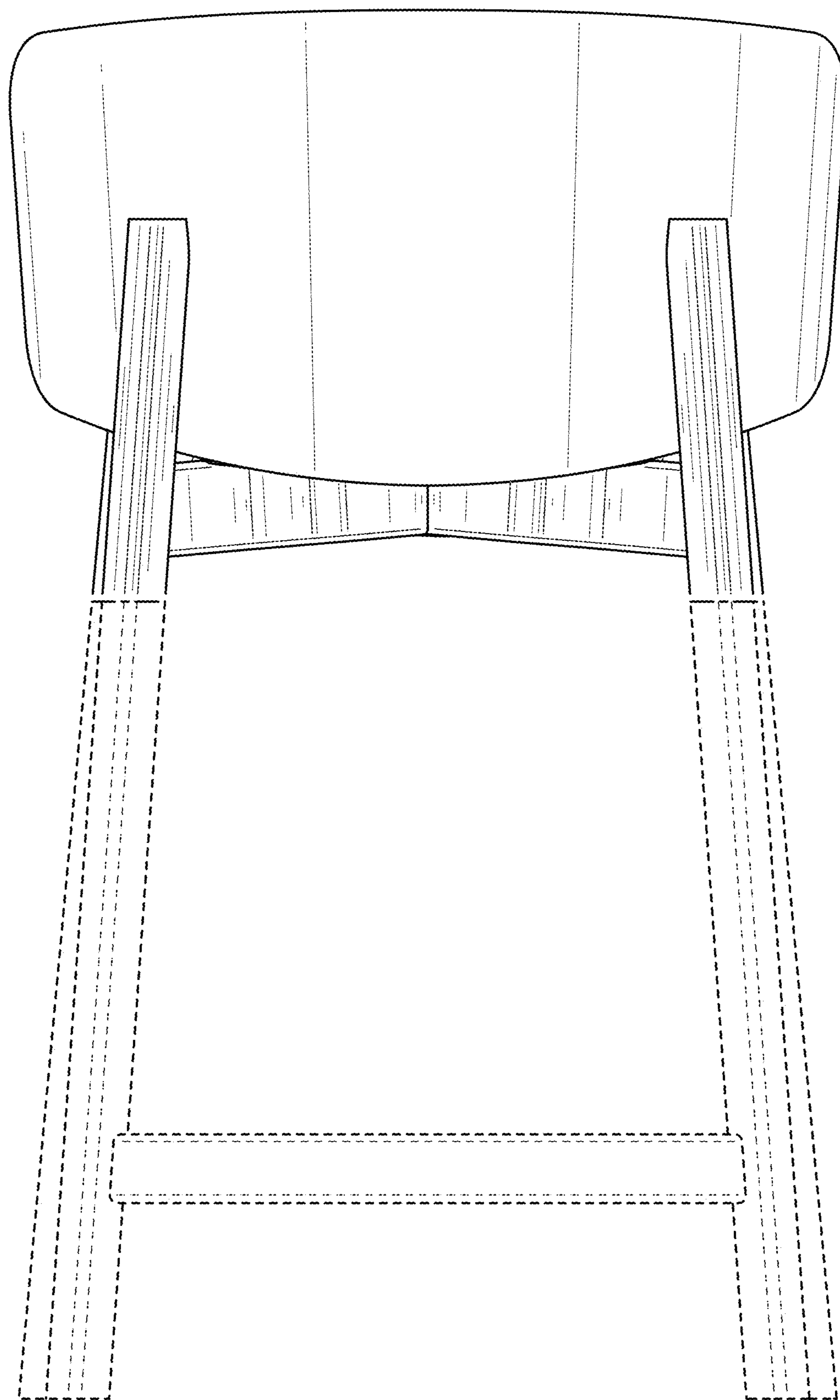


FIG. 3

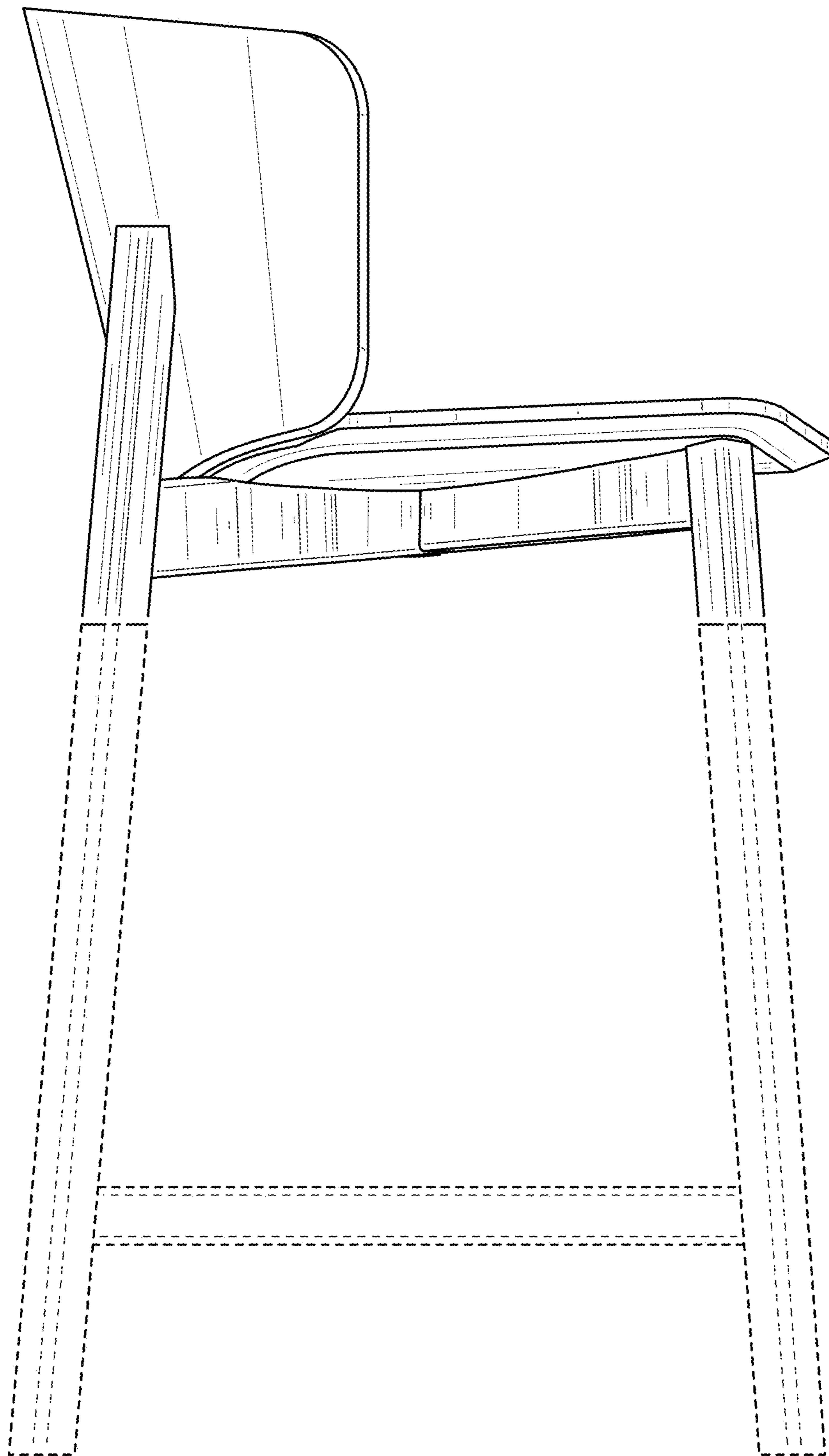


FIG. 4

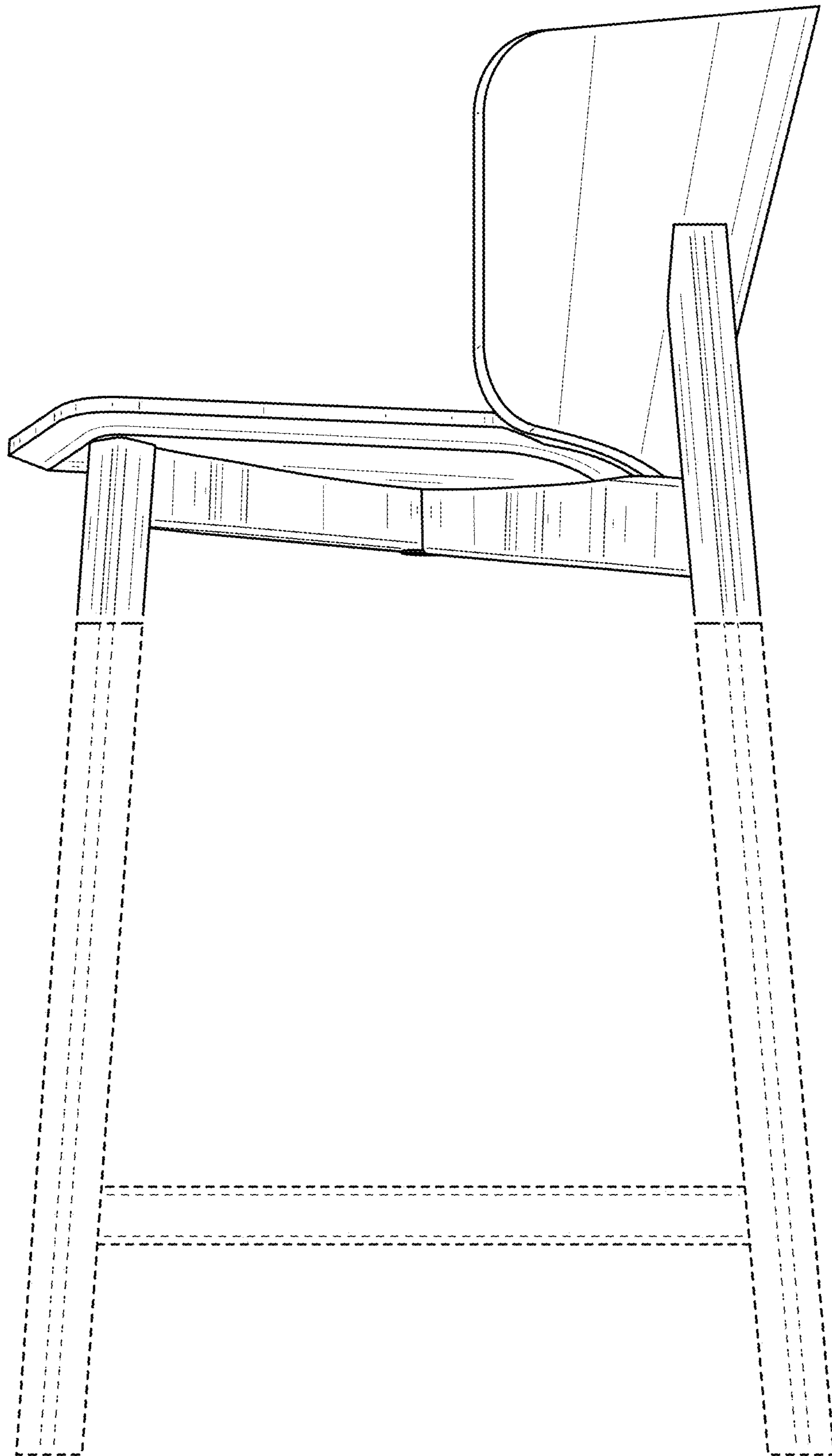


FIG. 5

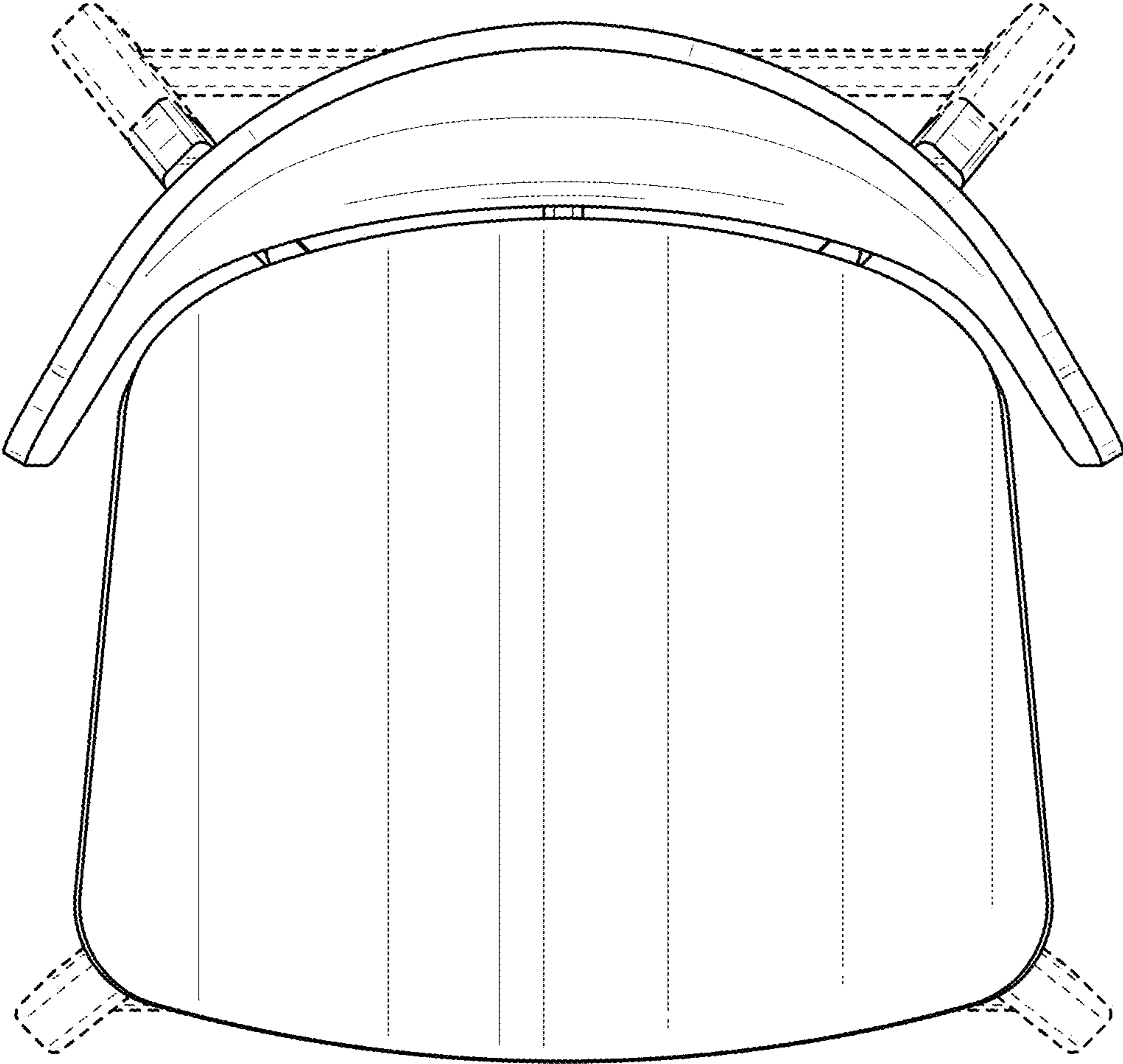


FIG. 6

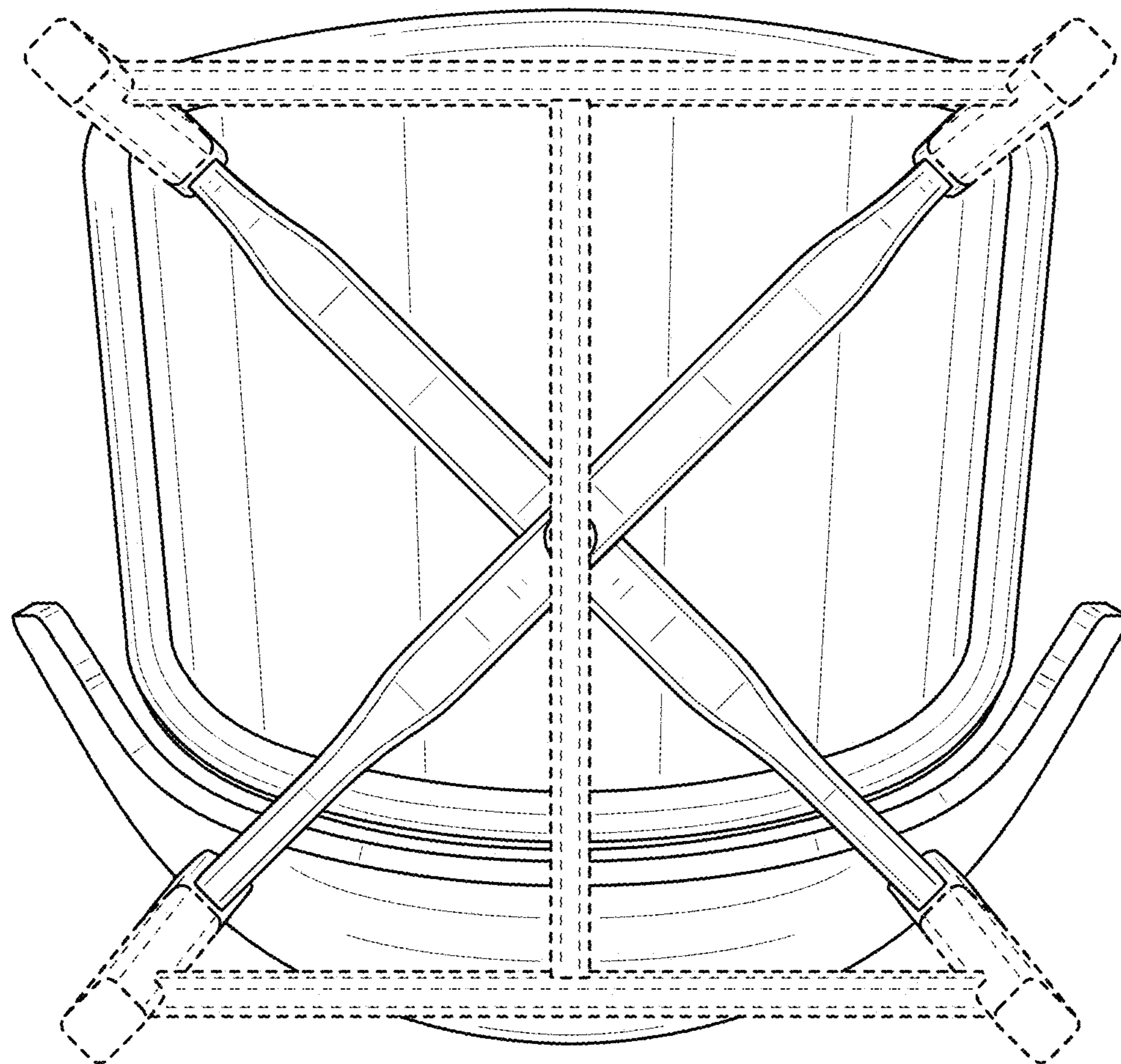


FIG. 7