



US00D889860S

(12) **United States Design Patent** (10) **Patent No.:** **US D889,860 S**
Failing (45) **Date of Patent:** **** Jul. 14, 2020**

(54) **WOBBLE STOOL**
(71) Applicant: **John R. Failing**, Swanton, MD (US)
(72) Inventor: **John R. Failing**, Swanton, MD (US)

D808,183 S * 1/2018 Ono D6/353
D823,624 S * 7/2018 Elmaleh D6/716
D843,745 S * 3/2019 Walser D6/349
D853,740 S * 7/2019 Corey D6/352
2011/0221255 A1* 9/2011 Weber A47C 3/029
297/452.21

(**) Term: **15 Years**

OTHER PUBLICATIONS

(21) Appl. No.: **29/679,679**
(22) Filed: **Feb. 8, 2019**
(51) **LOC (12) Cl.** **06-01**
(52) **U.S. Cl.**
USPC **D6/349**
(58) **Field of Classification Search**
USPC D6/334, 349-353, 355, 364-365,
D6/691-691.9, 692-692.6, 709, 710,
D6/716-716.1, 716.5, 719; D25/65
CPC .. A47B 7/00-7/02; A47C 11/00; A47C 12/00;
A47C 13/00; A47C 16/00; A47C
16/02-04; A47C 9/00-105; A47K 17/02;
A47K 17/028
See application file for complete search history.

Learnture Active Learning Chair Stool.[online] Published Sep. 10, 2016. Retrieved Jan. 31, 2020 from URL: https://www.amazon.com/Learnture-Active-Learning-Chair-LNT-3046-18BK/dp/B01GU4L2AQ/ref=sr_1_13?keywords=wobble+stool&qid=1580496561&sr=8-13.
Classroom Select NeoRok Adjustable Height Motion Stool. [online] Retrieved Jan. 31, 2020 from URL: https://www.amazon.com/Classroom-Select-NeoRok-Adjustable-Height/dp/B07SX51QDG/ref=sr_1_1?keywords=neorok&qid=1580497428&sr=8-1.

* cited by examiner

Primary Examiner — Vy N Koenig
(74) *Attorney, Agent, or Firm* — Andrew D. Wright;
Roberts Calderon Safran & Cole, P.C.

(56) **References Cited**

(57) **CLAIM**

I claim the ornamental design for a wobble stool, as shown and described.

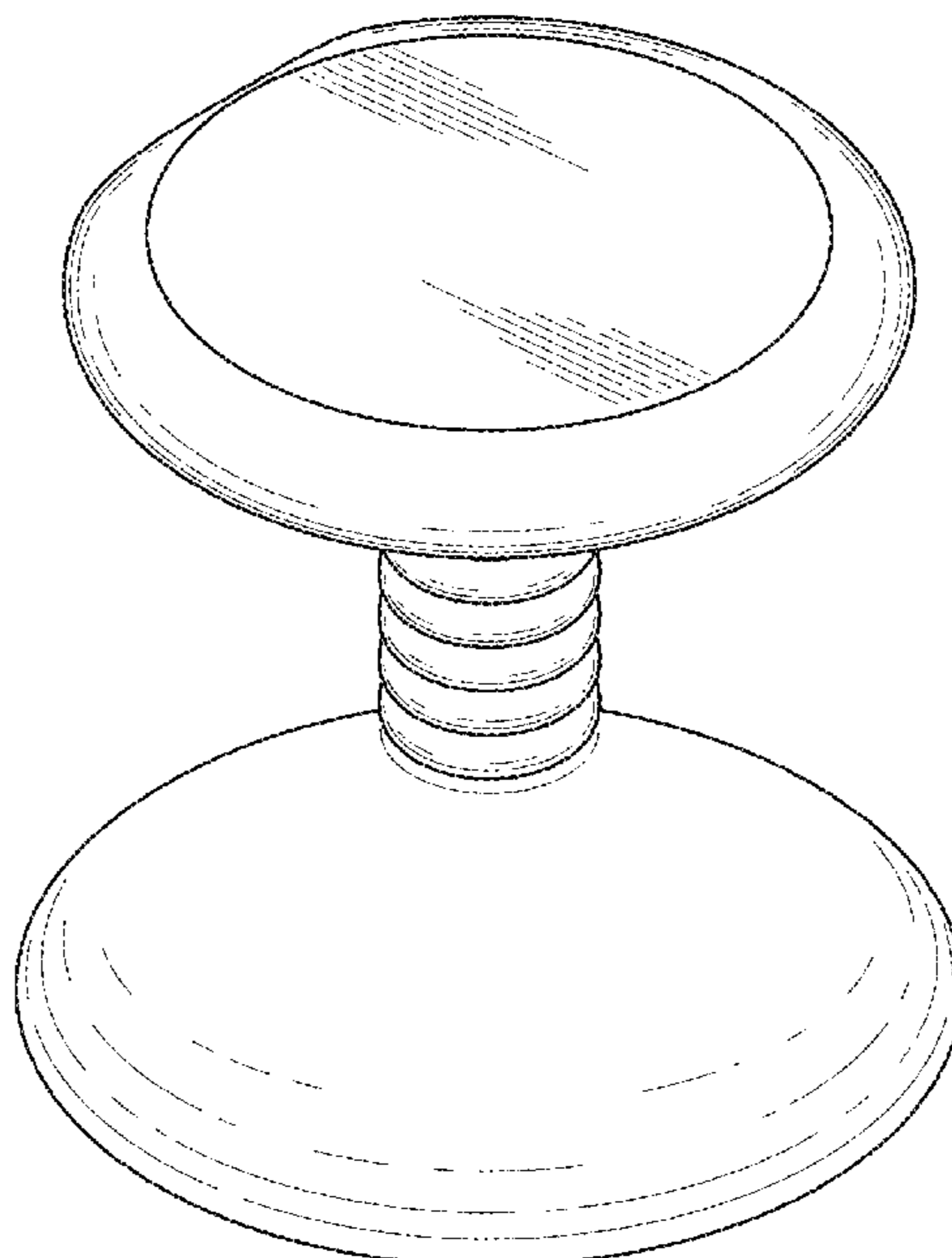
U.S. PATENT DOCUMENTS

DESCRIPTION

D207,708 S * 5/1967 Michals D6/352
3,770,319 A * 11/1973 Ono A47C 3/02
297/461
D333,055 S * 2/1993 Kaye D6/360
D333,056 S * 2/1993 Kaye D6/360
5,909,925 A * 6/1999 Glockl A47C 9/025
297/195.11
6,467,843 B1 * 10/2002 Rossborough A47C 3/34
108/150
D746,073 S * 12/2015 Elmaleh D6/349
D801,712 S * 11/2017 Neil D6/349
D801,714 S * 11/2017 Elmaleh D6/352
D806,414 S * 1/2018 Elmaleh D6/352

FIG. 1 is a top, front, right isometric view of my new design for a wobble stool;
FIG. 2 is a bottom, rear, left isometric view thereof;
FIG. 3 is a front view thereof;
FIG. 4 is a rear view thereof;
FIG. 5 is a left view thereof;
FIG. 6 is a right view thereof;
FIG. 7 is a top view thereof; and,
FIG. 8 is a bottom view thereof.

1 Claim, 7 Drawing Sheets



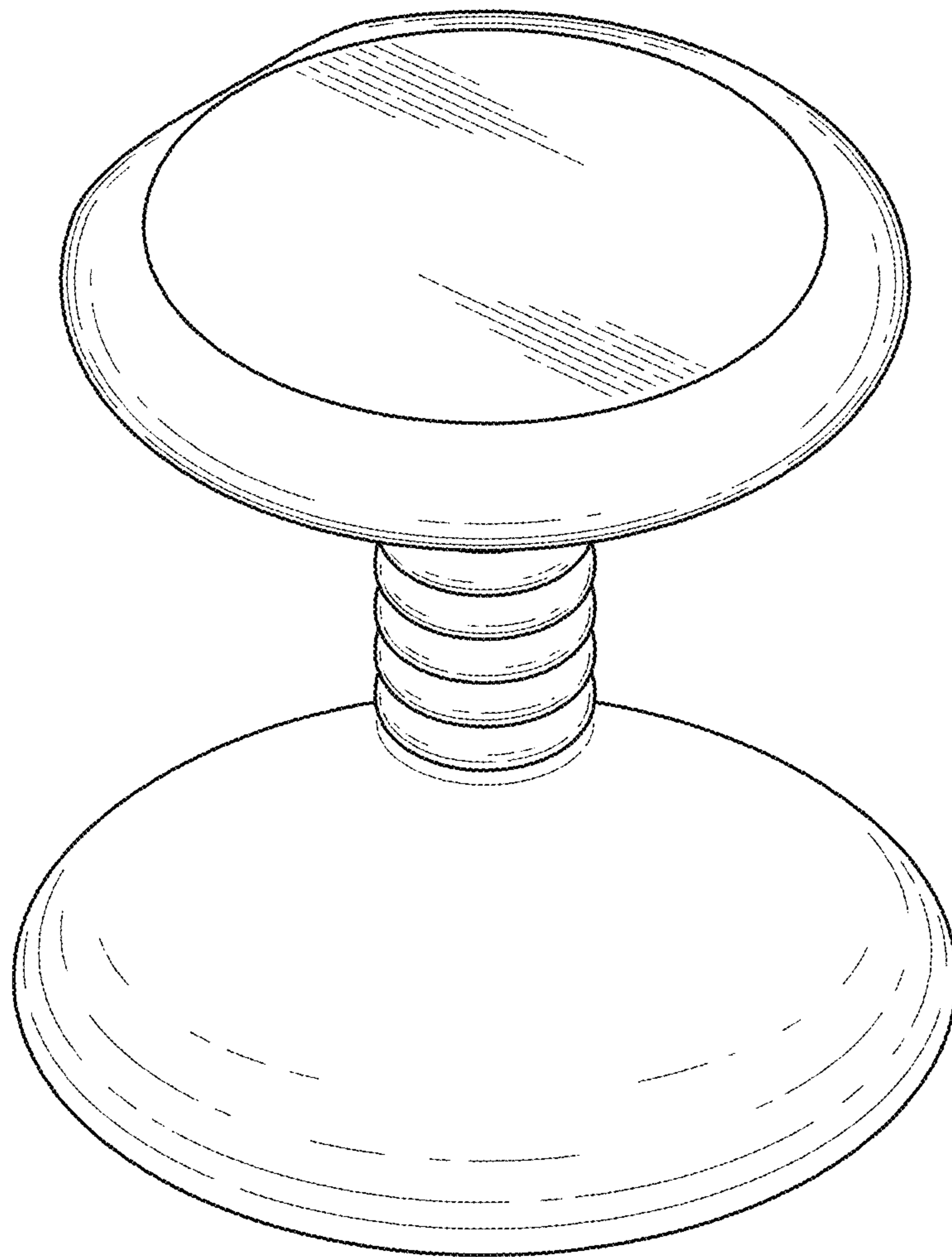


FIG. 1

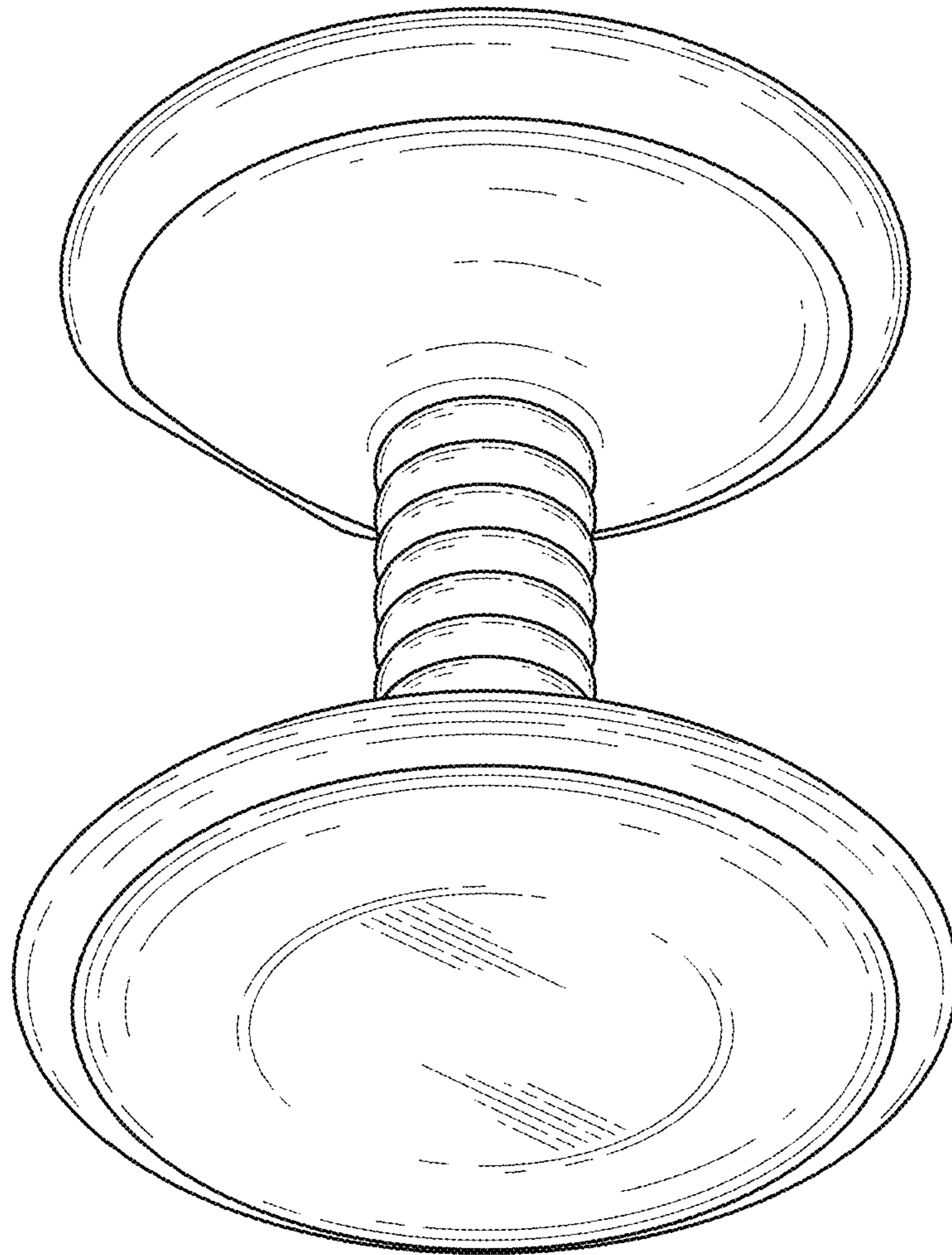


FIG. 2

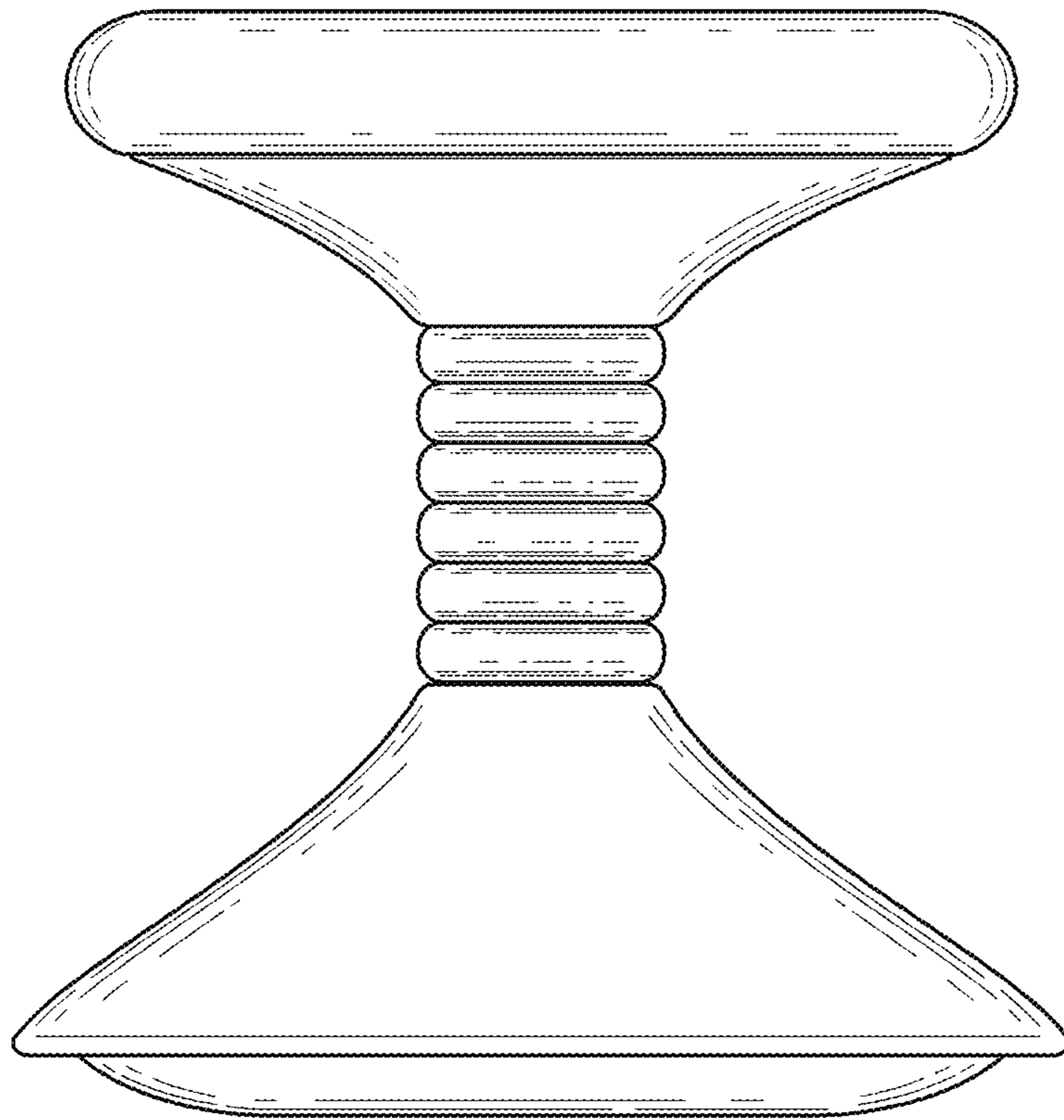


FIG. 3

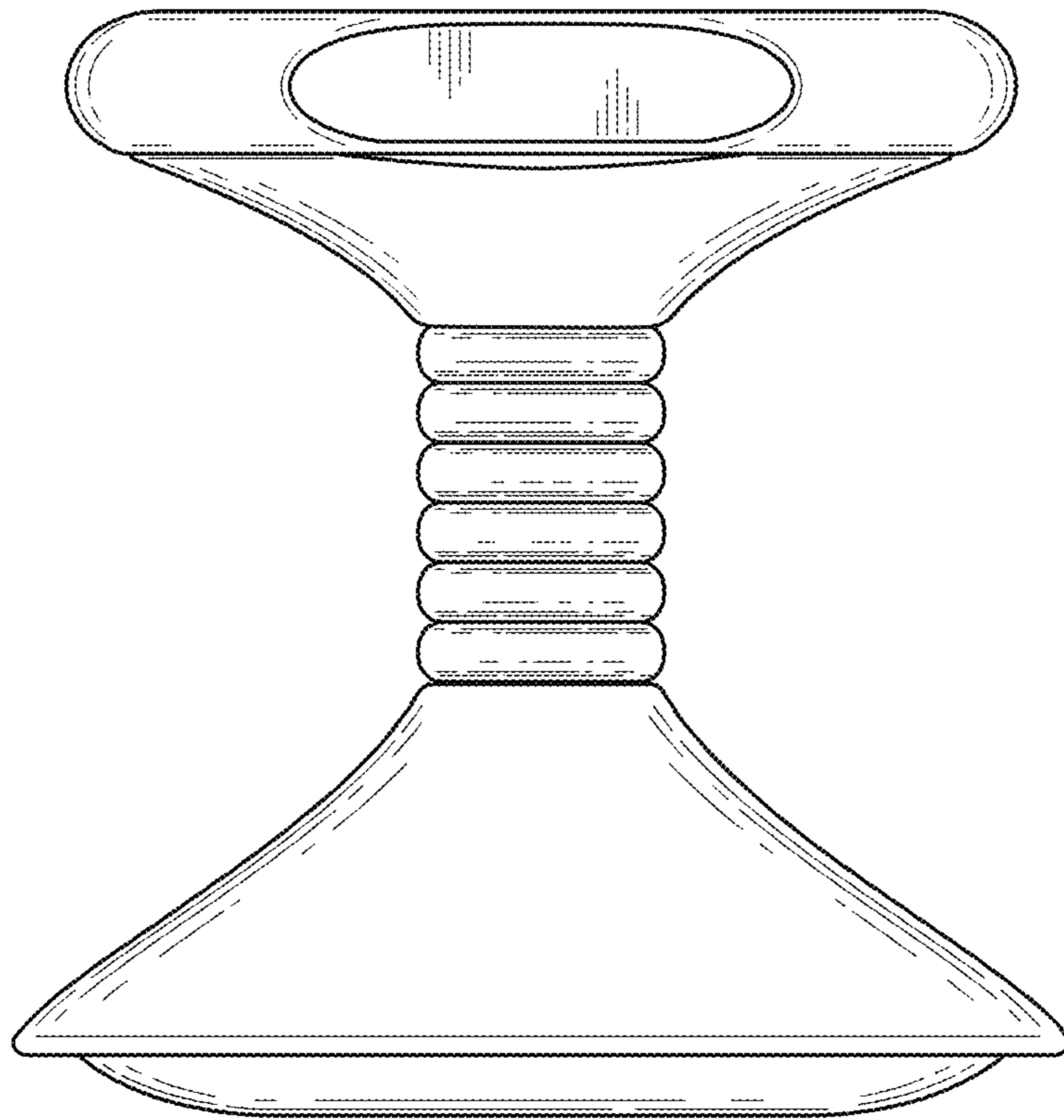


FIG. 4

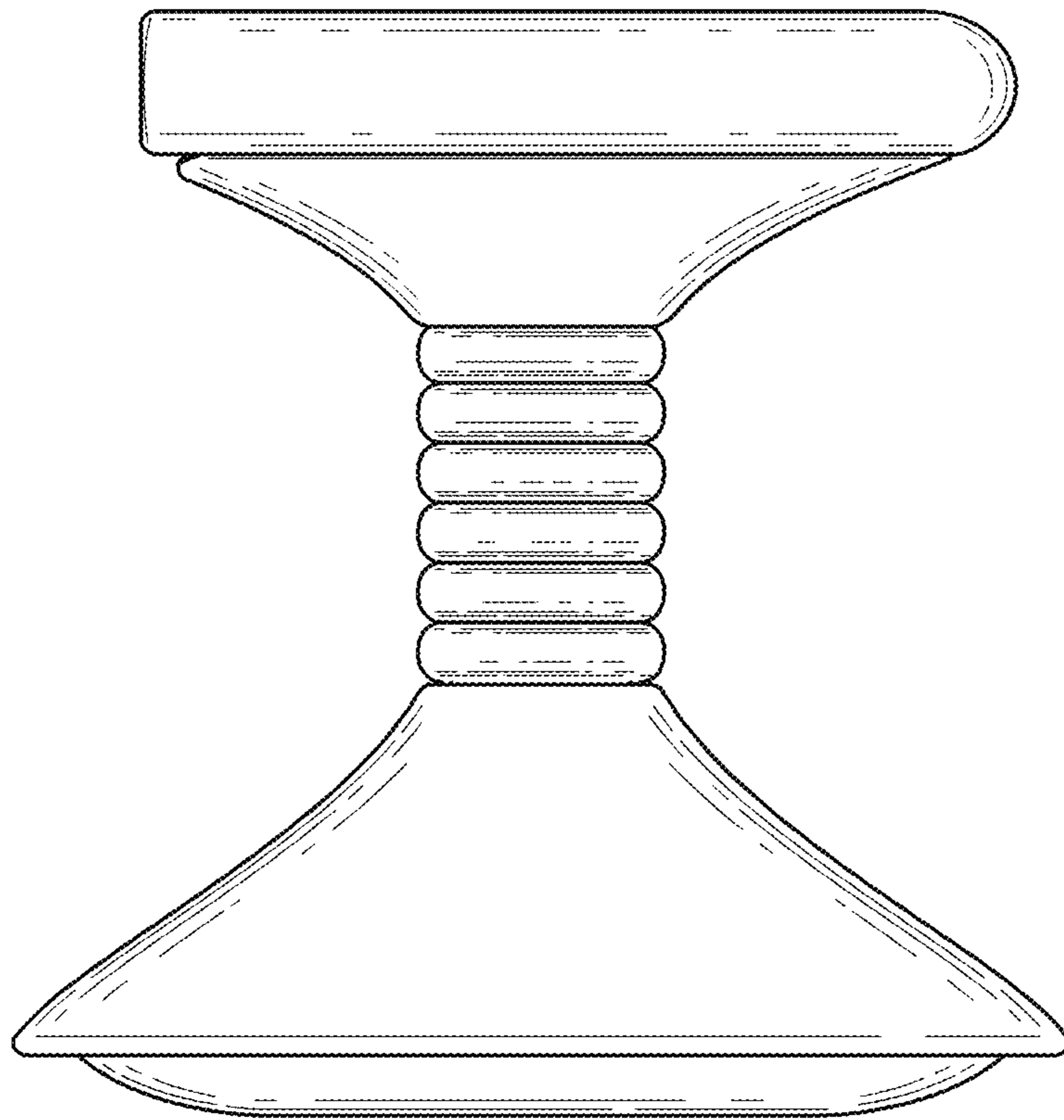


FIG. 5

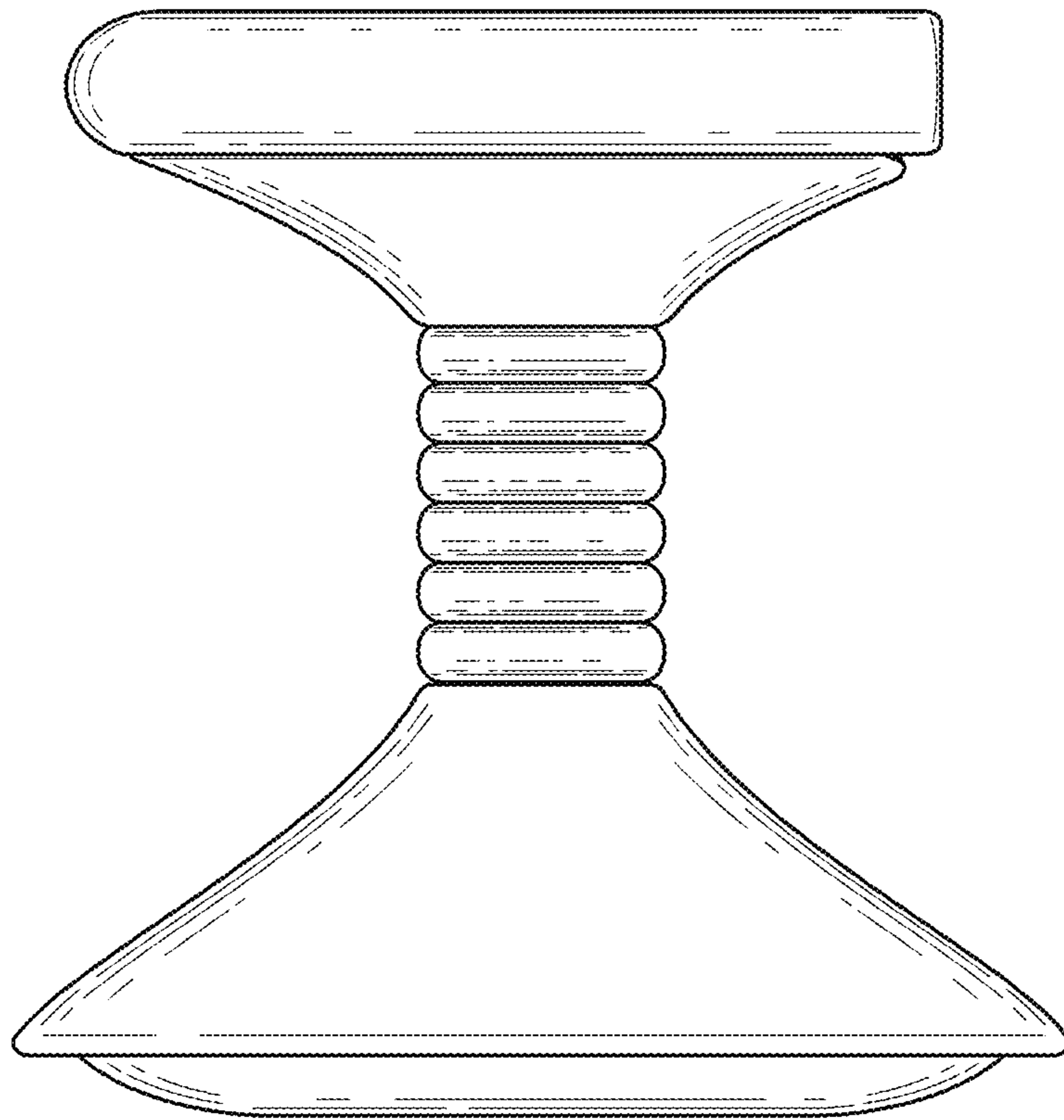


FIG. 6

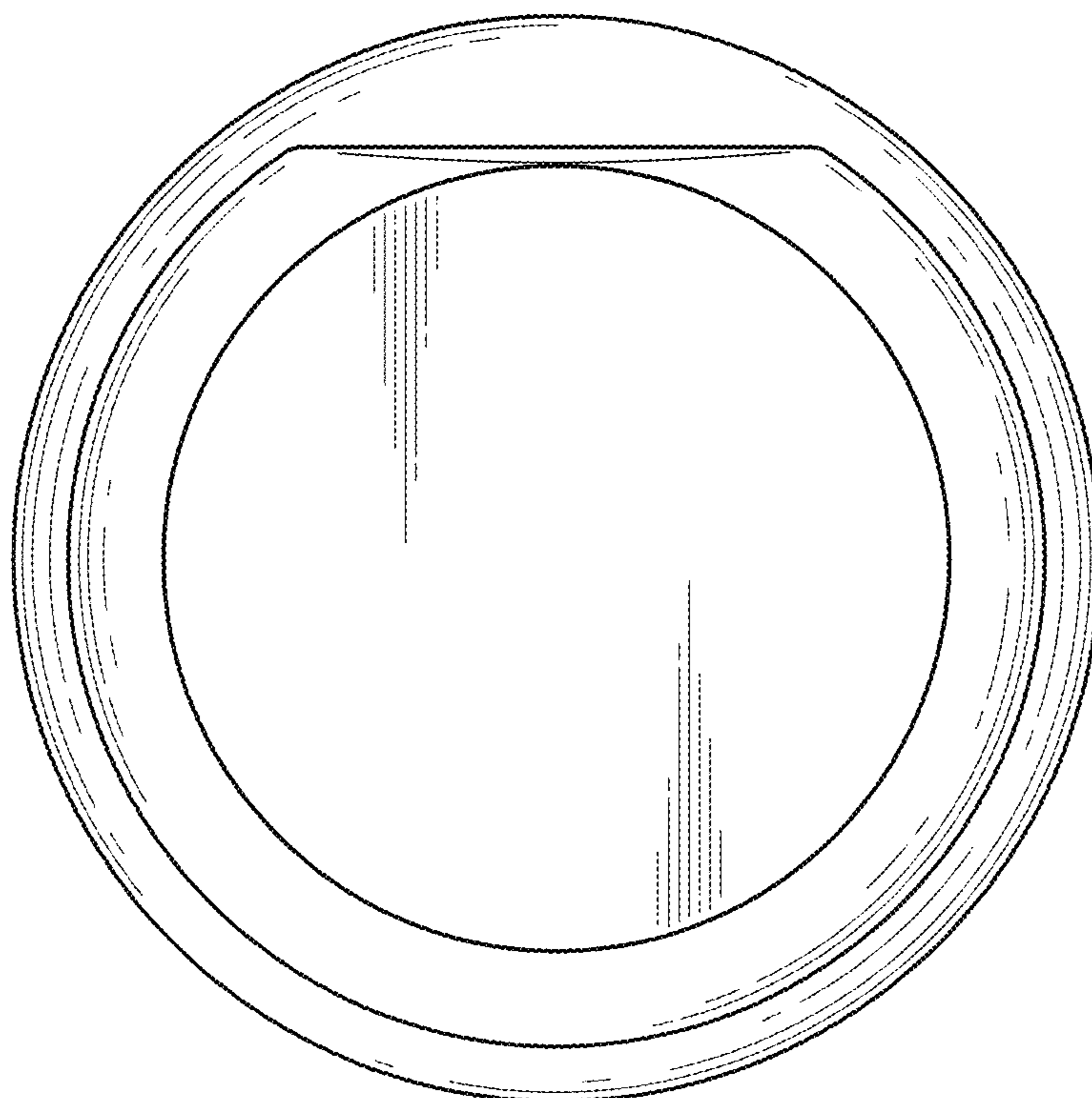


FIG. 7

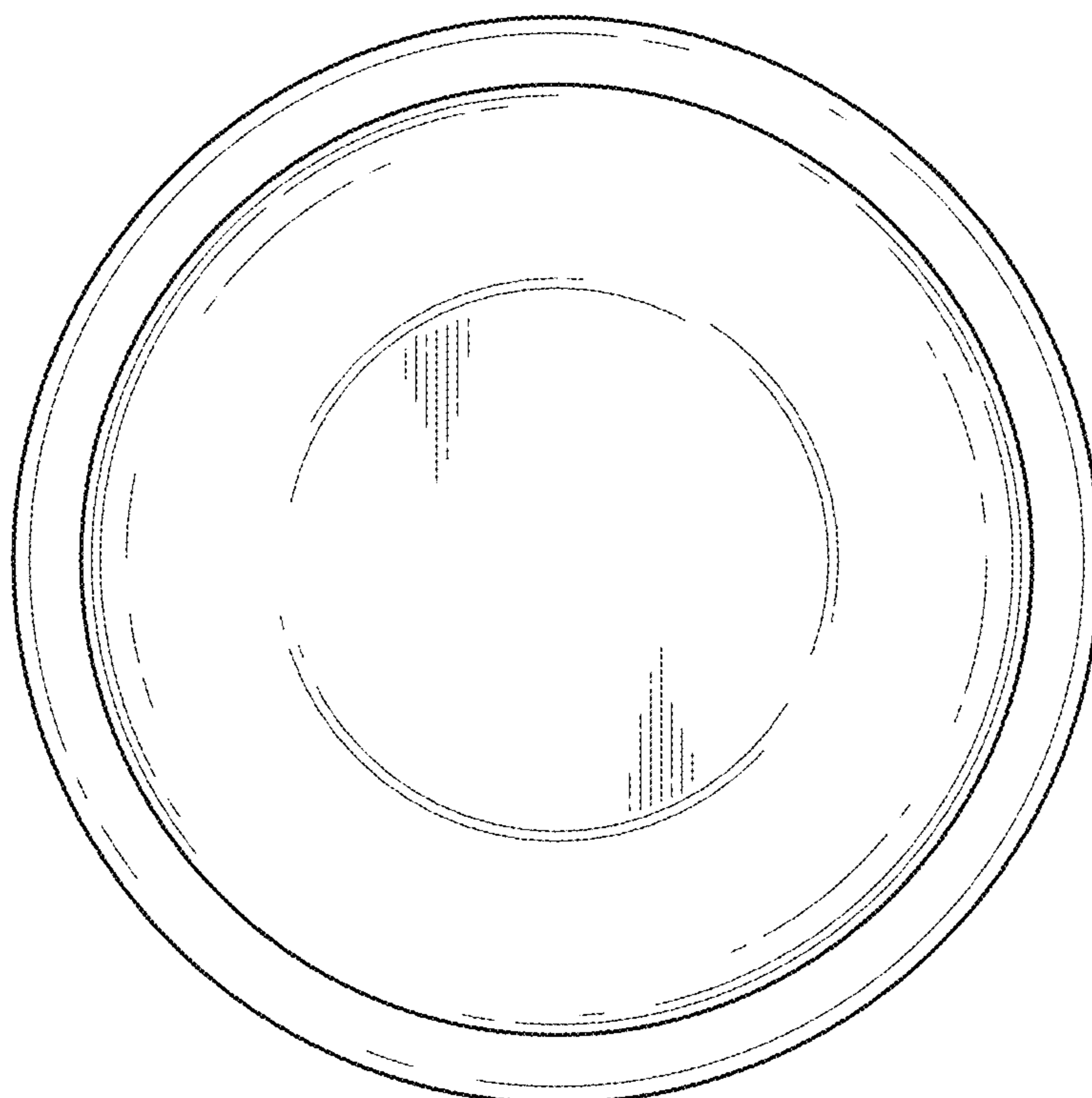


FIG. 8