



US00D889858S

(12) **United States Design Patent** (10) **Patent No.:** **US D889,858 S**
Koldova (45) **Date of Patent:** **** Jul. 14, 2020**

(54) **CHAIR**
(71) Applicant: **TON a.s.**, Bystrice pod Hostýnem (CZ)
(72) Inventor: **Lucie Koldova**, Prague (CZ)
(73) Assignee: **TON a.s.**, Bystrice Pod Hostynem (CZ)
(**) Term: **15 Years**
(21) Appl. No.: **29/655,657**
(22) Filed: **Jul. 5, 2018**

D676,251 S * 2/2013 Diez D6/334
D677,481 S * 3/2013 Pedersen D6/361
D730,100 S * 5/2015 Kubryk D6/716
D736,008 S * 8/2015 Bosman D6/375
D794,349 S * 8/2017 Levy D6/374
D811,757 S * 3/2018 Moscheri D6/334
D815,452 S * 4/2018 Hannoosh D6/380
D821,777 S * 7/2018 Hale D6/380
D831,989 S * 10/2018 Gufler D6/334
10,130,180 B2 * 11/2018 Frankel A47C 4/28
D836,934 S * 1/2019 Gufler D6/380
D858,125 S * 9/2019 Pipercic D6/334

(Continued)

(30) **Foreign Application Priority Data**
Jan. 9, 2018 (EM) 004637056-0001
(51) **LOC (12) Cl.** **06-01**
(52) **U.S. Cl.**
USPC **D6/334**
(58) **Field of Classification Search**
USPC D6/334, 335, 349, 353, 354, 356, 360,
D6/361, 362, 364, 365, 366, 371, 374,
D6/375, 377, 379, 380, 381
CPC A47C 4/02; A47C 4/04; A47C 4/52; A47C
11/00; A47C 15/002; A47C 1/00; A47C
1/03; A47C 7/002
See application file for complete search history.

OTHER PUBLICATIONS

Archproducts, Ton Chips, Mesh easy chair, 2018, found on Mar. 13, 2020 at https://www.archproducts.com/en/products/ton/mesh-easy-chair-chips_324915 (Year: 2018).*

(Continued)

Primary Examiner — Karen S Acker
(74) *Attorney, Agent, or Firm* — Fross Zelnick Lehrman & Zissu, P.C.; Charles T. J. Weigell, Esq.

(57) **CLAIM**

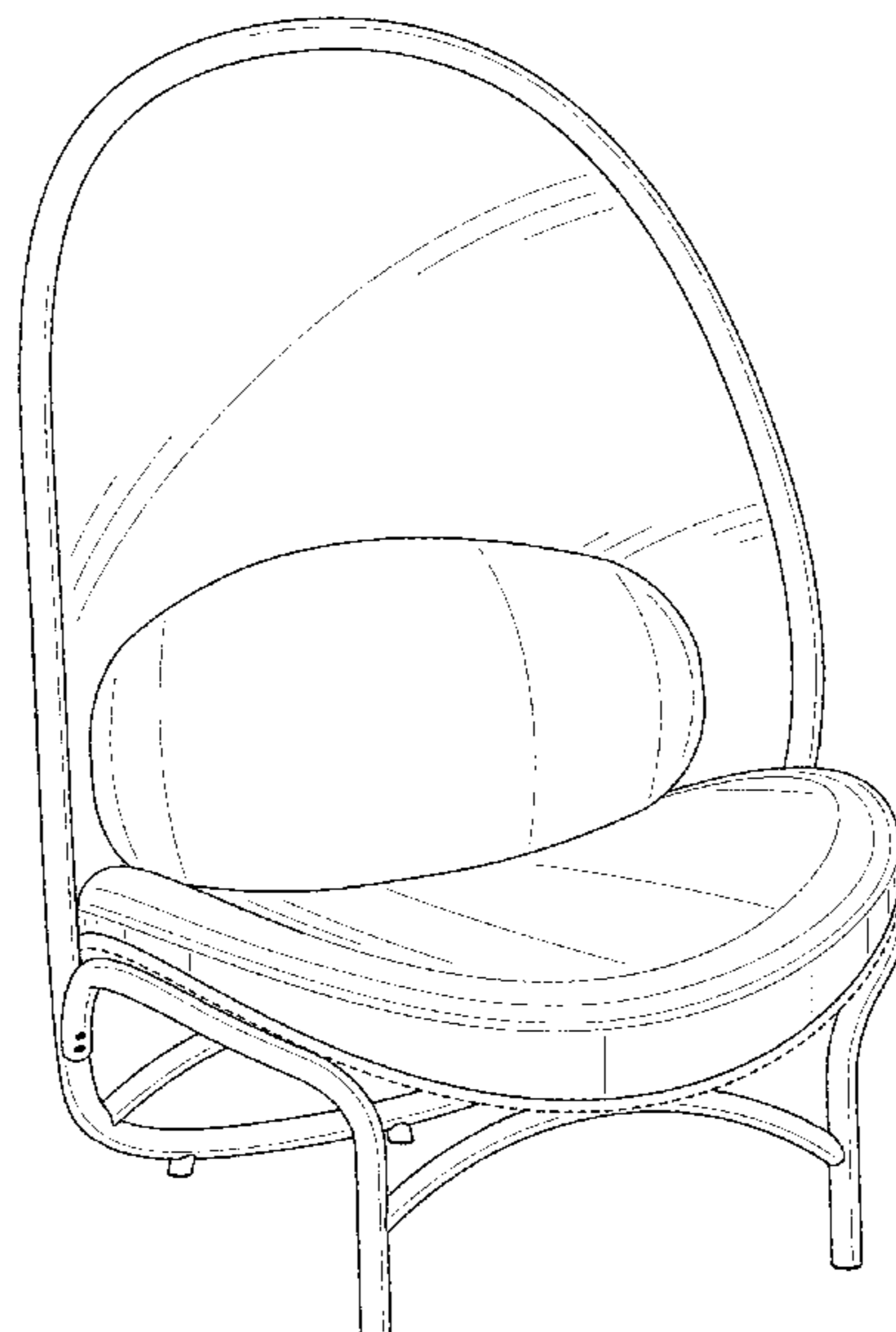
The ornamental design for a chair, as shown and described.

DESCRIPTION

FIG. 1 is a front perspective view of a chair showing my new design;
FIG. 2 is a front view thereof;
FIG. 3 is a back view thereof;
FIG. 4 is a left side view thereof;
FIG. 5 is a right side view thereof;
FIG. 6 is a top view thereof; and,
FIG. 7 is a bottom view thereof.
The broken lines and the area within depict portions of the chair that form no part of the claimed design.

1 Claim, 7 Drawing Sheets

(56) **References Cited**
U.S. PATENT DOCUMENTS
D95,919 S * 6/1935 McCarty, Jr. et al. ... A47C 4/28
D6/356
D158,508 S * 5/1950 Saarinen D6/374
D196,576 S * 10/1963 Ritts D6/334
D248,700 S * 8/1978 Moser D6/379
D284,811 S * 7/1986 Bakker D6/363
D316,192 S * 4/1991 Murry D6/334
D351,294 S * 10/1994 Fleishman D6/374
D393,956 S * 5/1998 Kane D6/334
D602,706 S * 10/2009 Cramer D6/334



(56)

References Cited

U.S. PATENT DOCUMENTS

D859,868 S * 9/2019 Lievore D6/375
D859,869 S * 9/2019 Lievore D6/375
D864,604 S * 10/2019 Foersom D6/369
D869,190 S * 12/2019 Lievore D6/375

OTHER PUBLICATIONS

3dsky, Ton chips, Nov. 8, 2018, found on Mar. 13, 2020 at https://3dsky.org/3dmodels/show/ton_chips (Year: 2018).*

Contemporist, Chips Lounge Chair, Jan. 10, 2018, found on Mar. 13, 2020 at <https://www.contemporist.com/chips-lounge-chair-by-lucie-koldova/> (Year: 2018).*

* cited by examiner

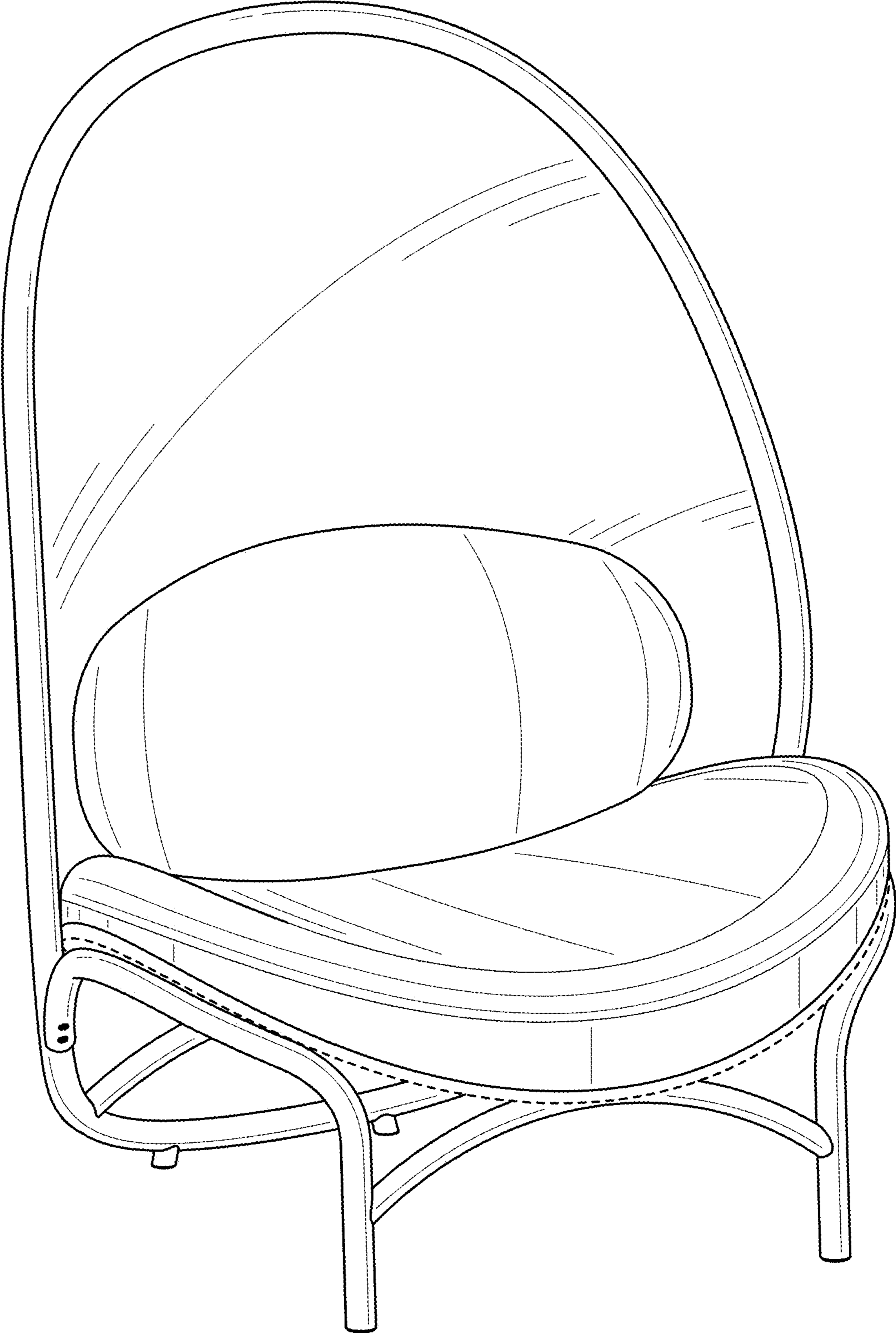


FIG. 1

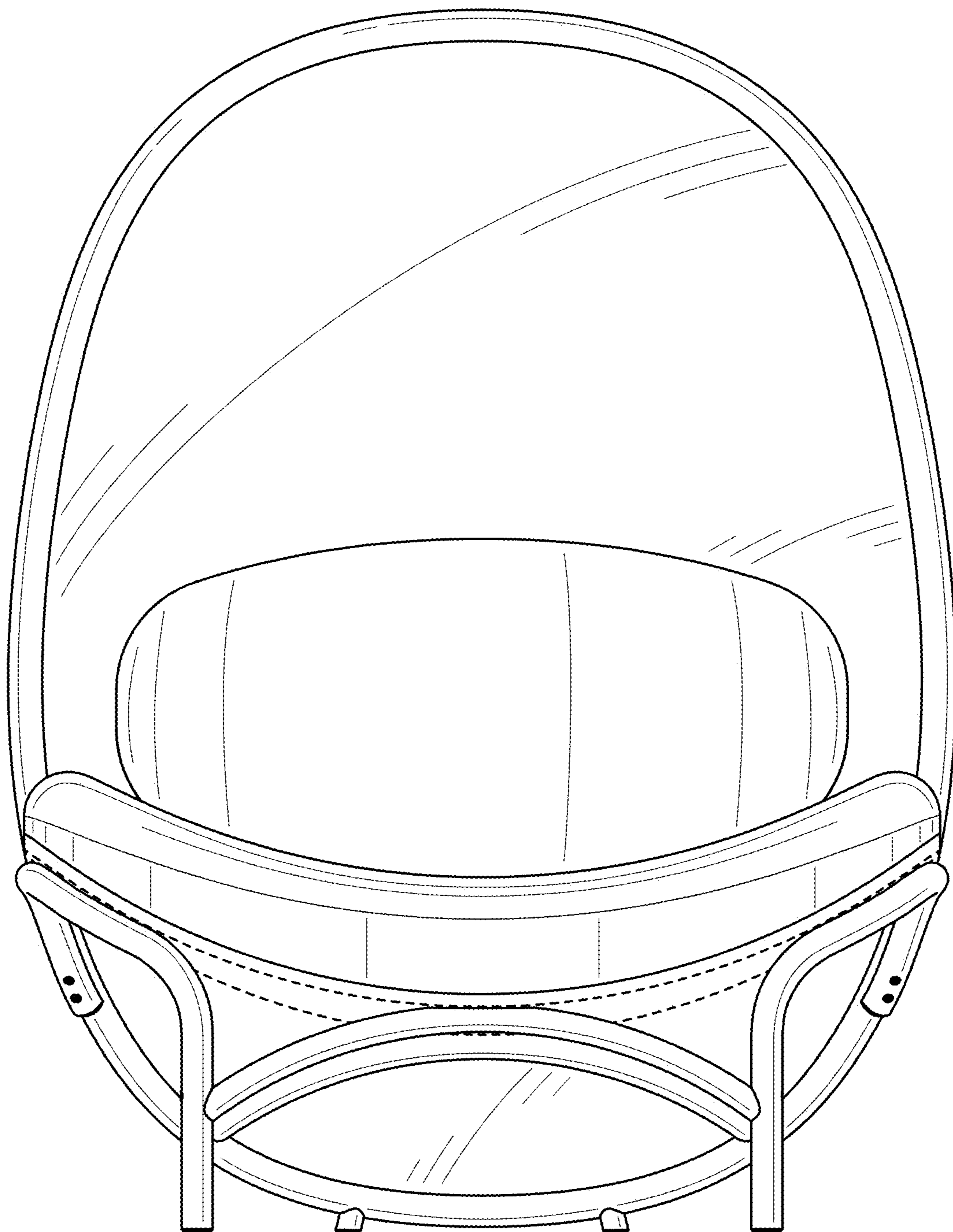


FIG. 2

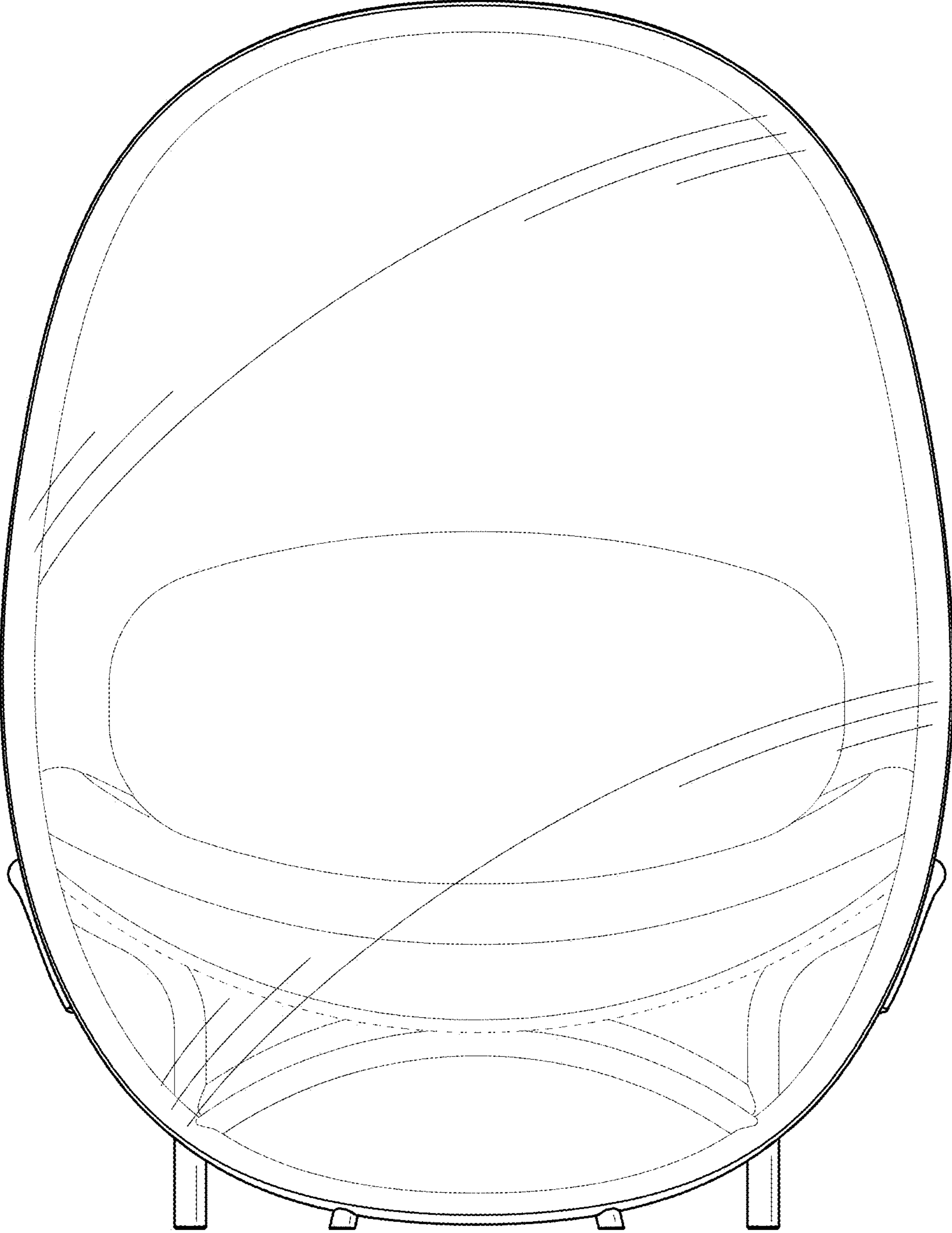


FIG. 3

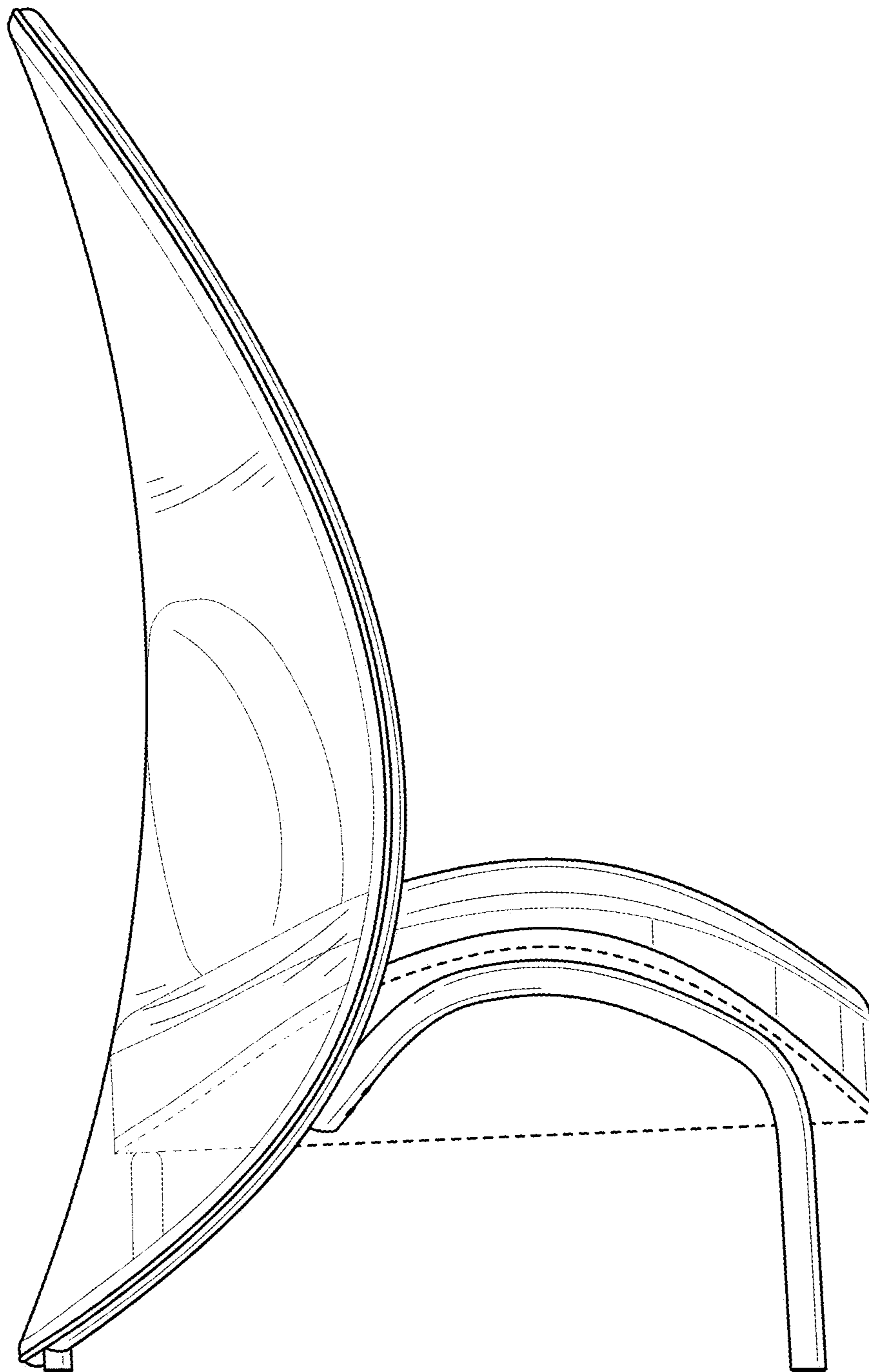


FIG. 4

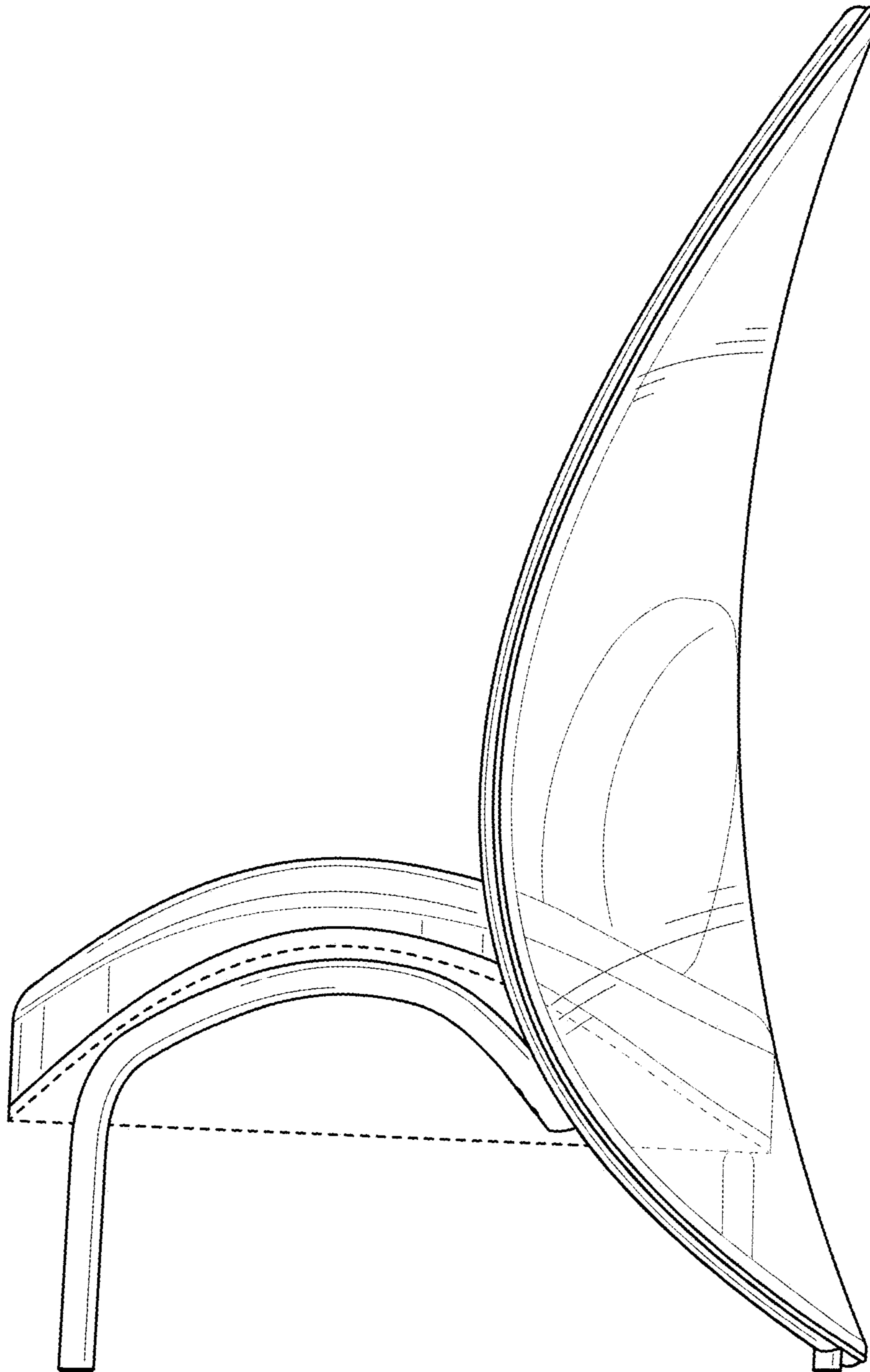


FIG. 5

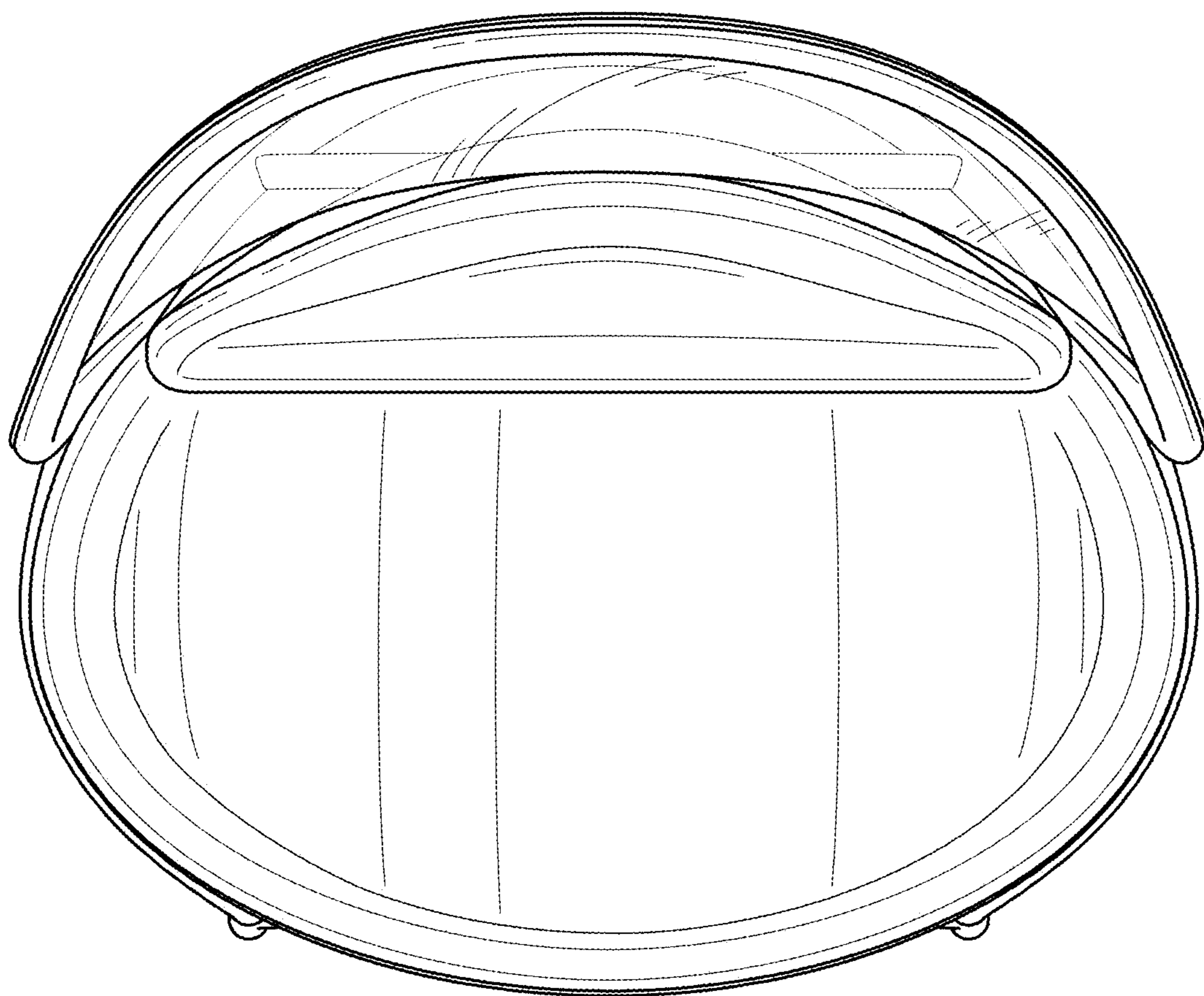


FIG. 6

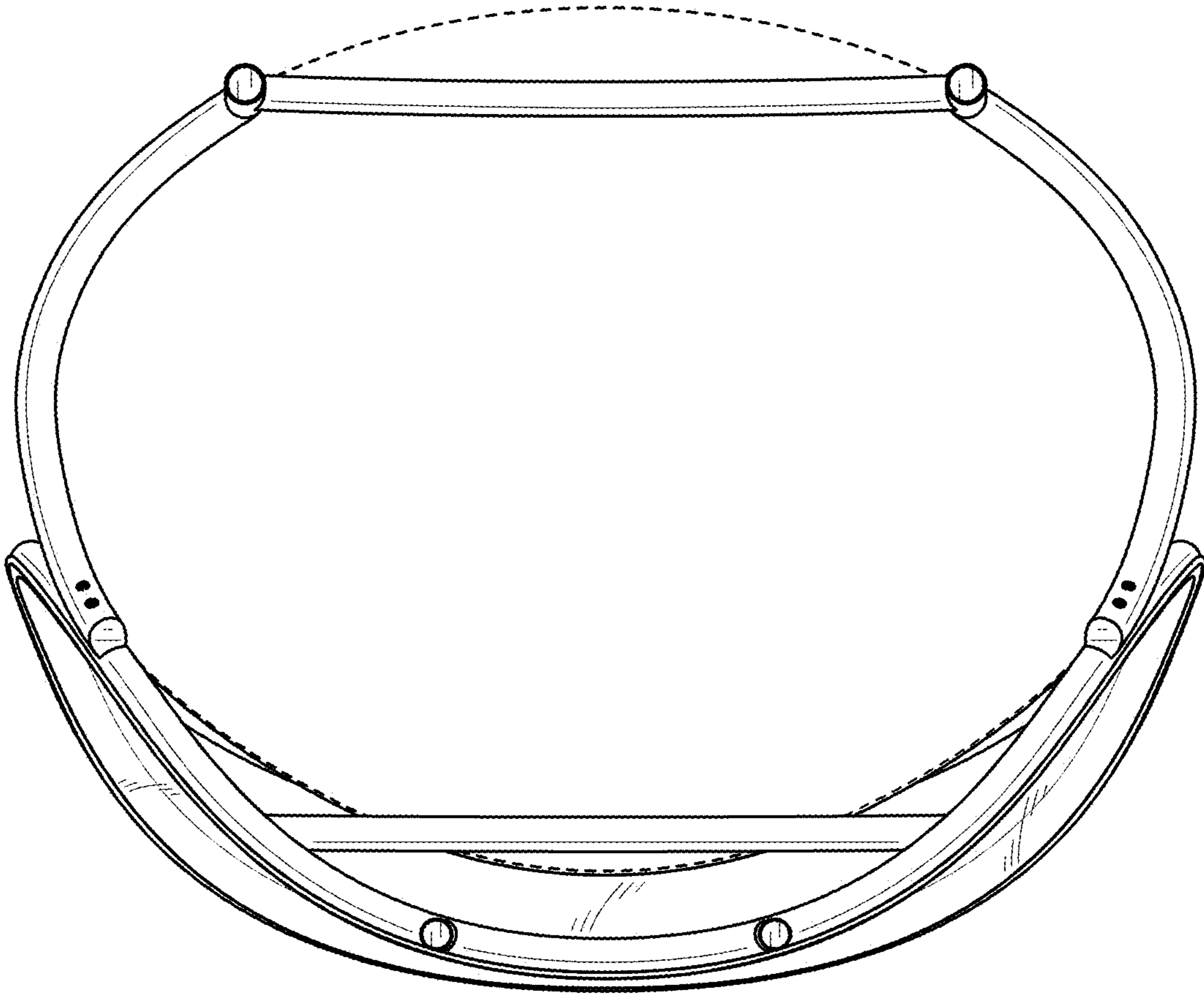


FIG. 7