



US00D889856S

(12) **United States Design Patent** (10) **Patent No.:** **US D889,856 S**
Liu (45) **Date of Patent:** **** Jul. 14, 2020**

(54) **MIRROR**
(71) Applicant: **Jinfeng Liu**, Lianjiang (CN)
(72) Inventor: **Jinfeng Liu**, Lianjiang (CN)
(**) Term: **15 Years**
(21) Appl. No.: **29/727,757**
(22) Filed: **Mar. 13, 2020**
(51) **LOC (12) Cl.** **06-07**
(52) **U.S. Cl.**
USPC **D6/310**
(58) **Field of Classification Search**
USPC D6/300-314; D16/221; D19/114;
D20/43
CPC ... A47G 1/00; A47G 1/02; A47G 1/14; A47G
1/24; A47G 2001/002; A47G 2001/0056;
A47G 2001/007; A45D 42/00; A45D
42/10; A45D 42/24; F21V 21/26; F21V
21/30; G09F 15/0056
See application file for complete search history.

(56) **References Cited**
U.S. PATENT DOCUMENTS
641,683 A * 1/1900 Evens A47B 41/02
434/419
1,414,351 A * 5/1922 Fritz A47G 1/14
248/473
1,544,742 A * 7/1925 Grunewald A47G 1/24
248/474
1,778,728 A * 10/1930 Jacob A47G 1/14
248/474
D94,049 S * 12/1934 Ritz-Woller D6/308
2,454,648 A * 11/1948 Green G09F 15/0056
40/602
D228,422 S * 9/1973 Stahl D6/308
D268,570 S * 4/1983 Wagman A47G 1/14
D11/132

D407,119 S * 3/1999 Kwan A47G 1/24
D20/21
D413,024 S * 8/1999 Wanek G09F 15/0056
D6/300
D536,881 S 2/2007 Mischel, Jr. et al.
D563,108 S * 3/2008 Shail A47G 1/14
D6/300
D779,835 S 2/2017 Zhang et al.
D882,279 S * 4/2020 Zhu A47B 41/02
D6/308

OTHER PUBLICATIONS

Embellir Makeup Mirror Dimmable Bulbs—Harvey Norman <https://www.harveynorman.com.au/embellir-makeup-mirror-dimmable-bulbs-white.html> retrieved from the internet on Jun. 4, 2020.*
Gatco Elegant 12 Inch x9.75 Inch Rectangular Framed Mirror, Model: 1381—Build.com <https://www.build.com/gatco-1381/s1142684?uid=2735468&displaypla=1> retrieved from the internet on Jun. 4, 2020.*

* cited by examiner

Primary Examiner — Mary Ann Calabrese

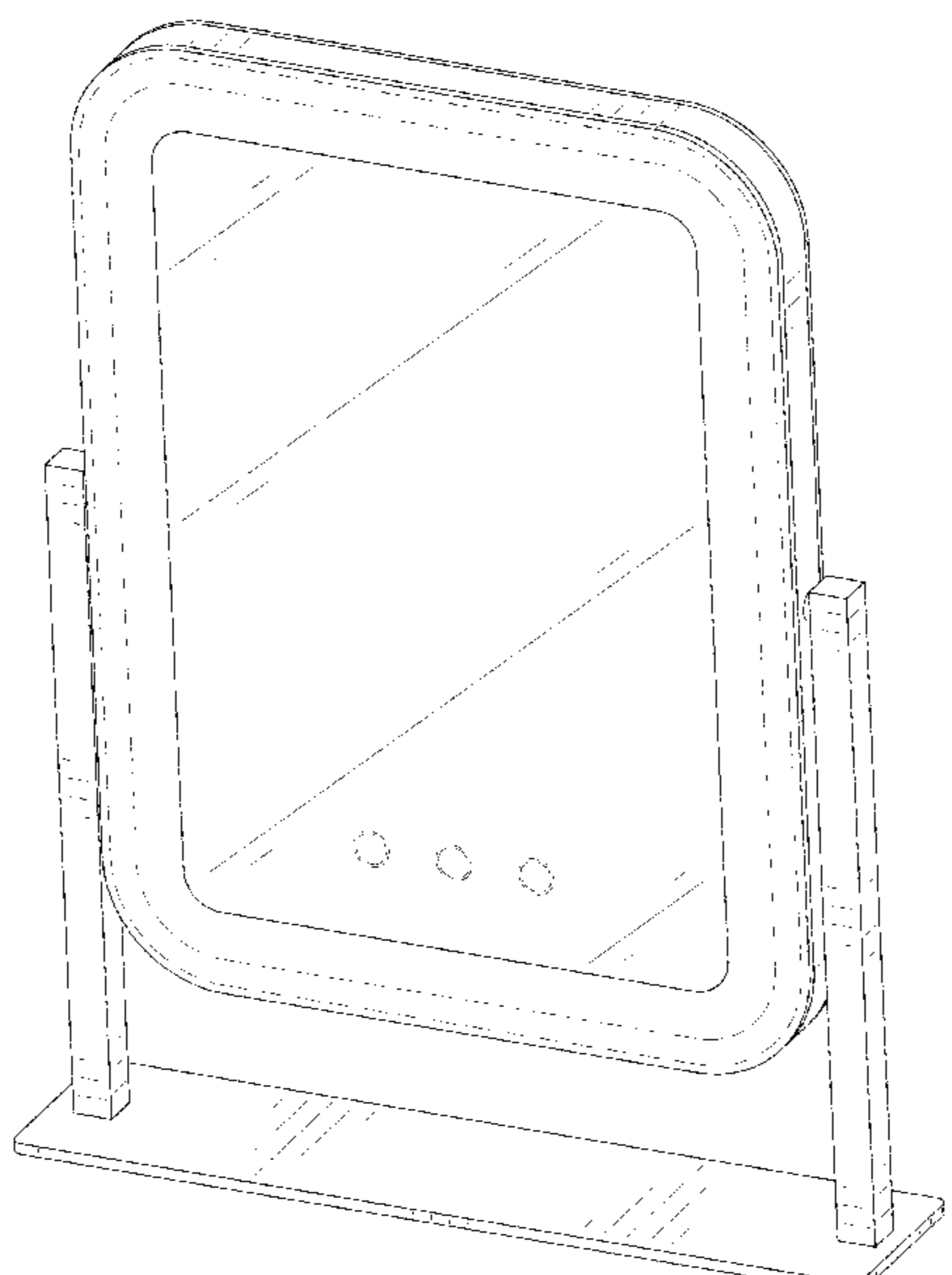
(57) **CLAIM**

The ornamental design for a mirror, as shown and described.

DESCRIPTION

FIG. 1 is a front perspective view of a mirror showing my new design;
FIG. 2 is rear perspective view thereof;
FIG. 3 is a front elevational view thereof;
FIG. 4 is a rear elevational view thereof;
FIG. 5 is a left side elevational view thereof;
FIG. 6 is a right side elevational view thereof;
FIG. 7 is a top plan view thereof; and,
FIG. 8 is a bottom plan view thereof.
The broken lines in the drawings depict portions of the mirror that form no part of the claimed design.

1 Claim, 8 Drawing Sheets



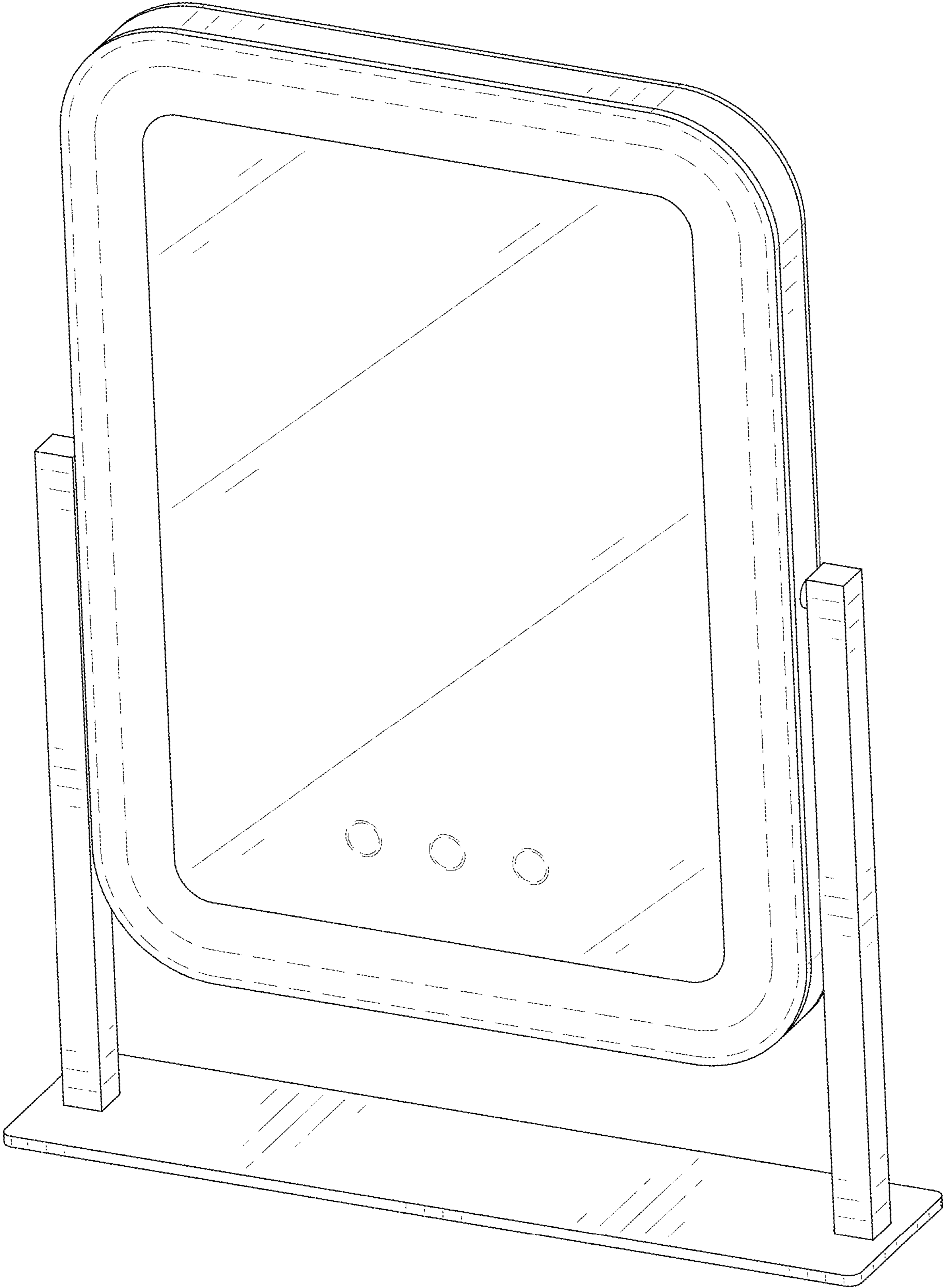


FIG. 1

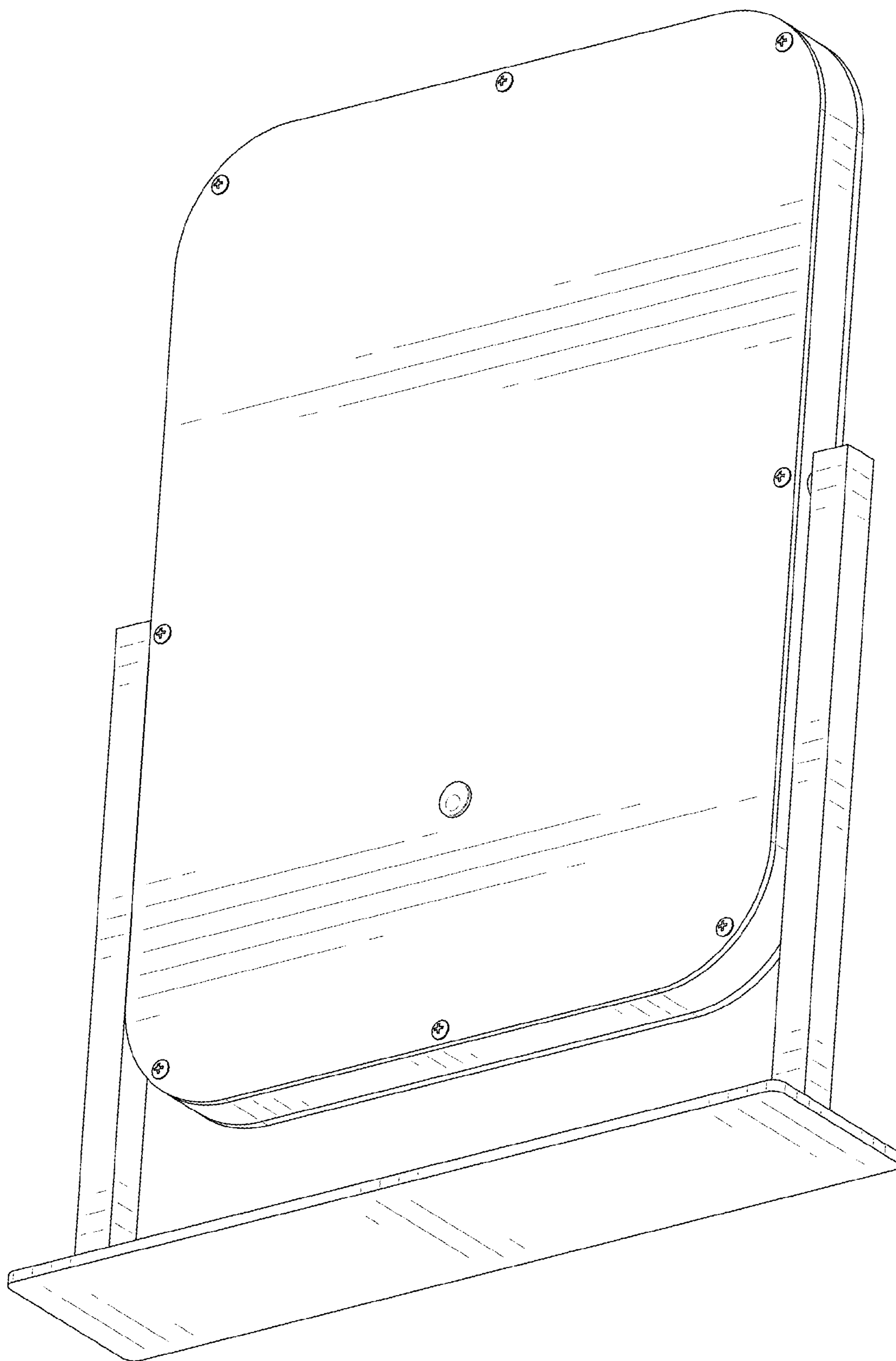


FIG. 2

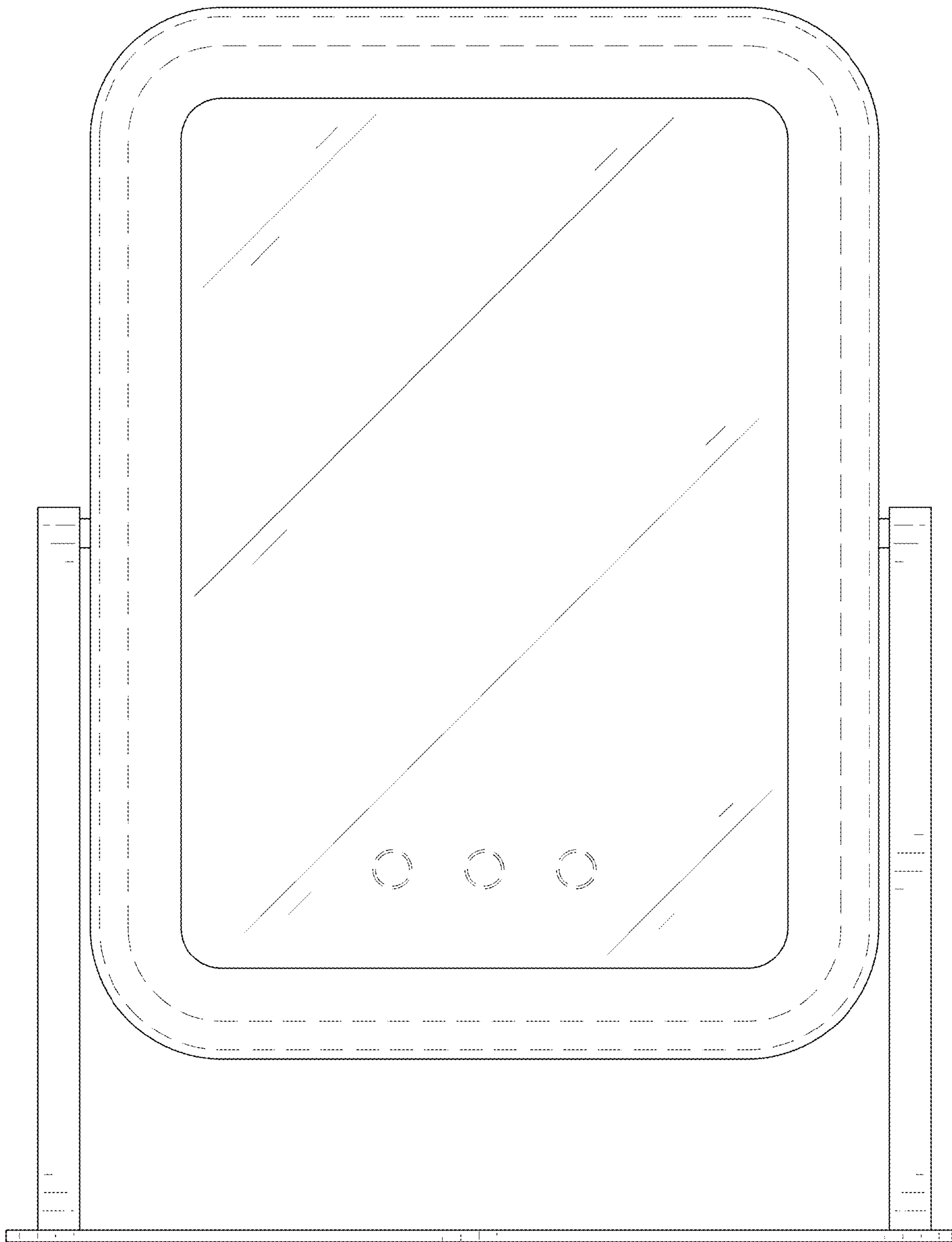


FIG. 3

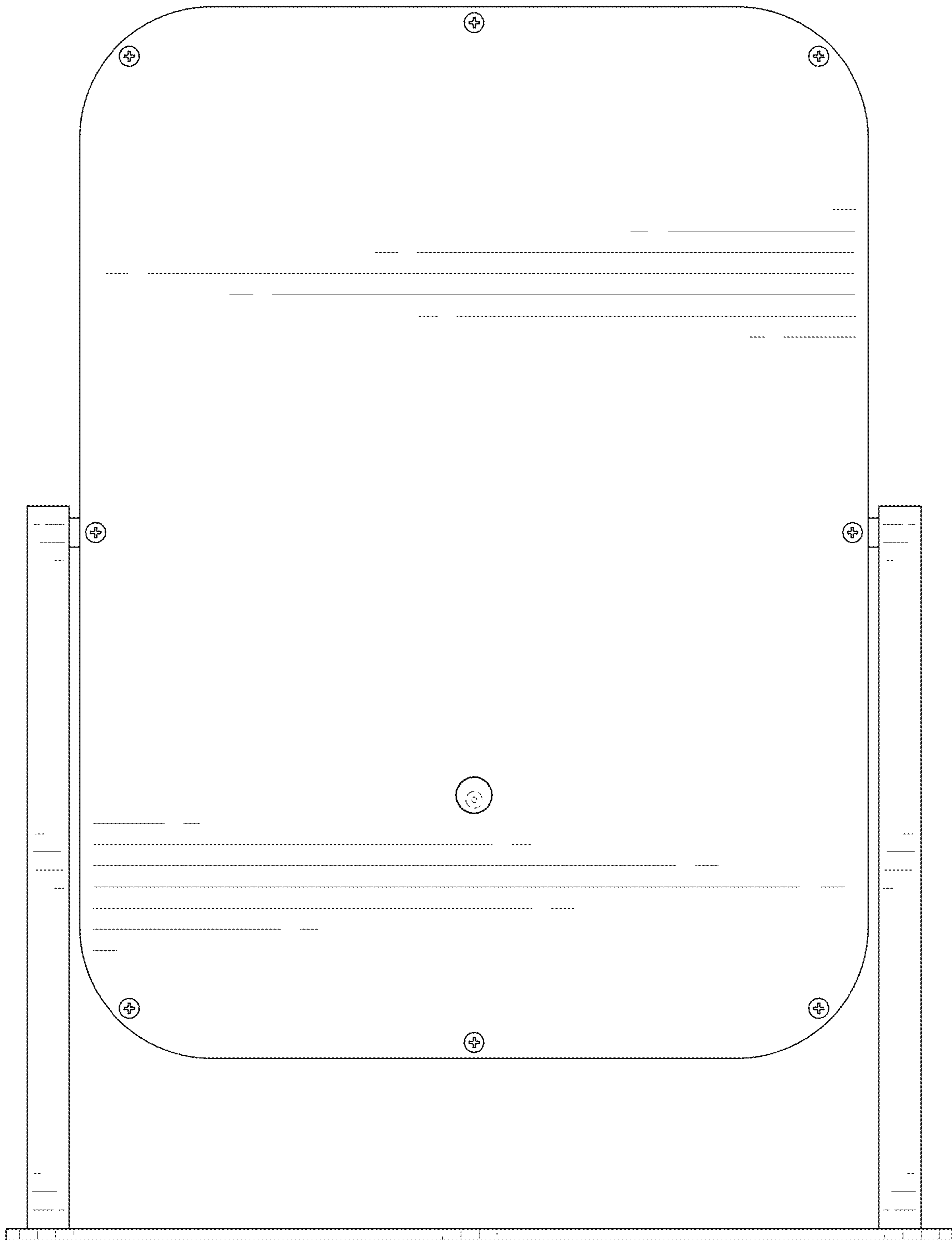


FIG. 4

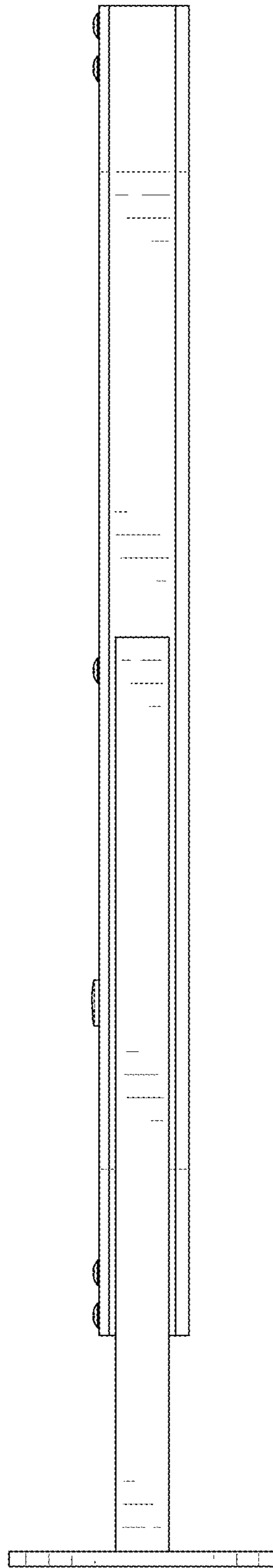


FIG. 5

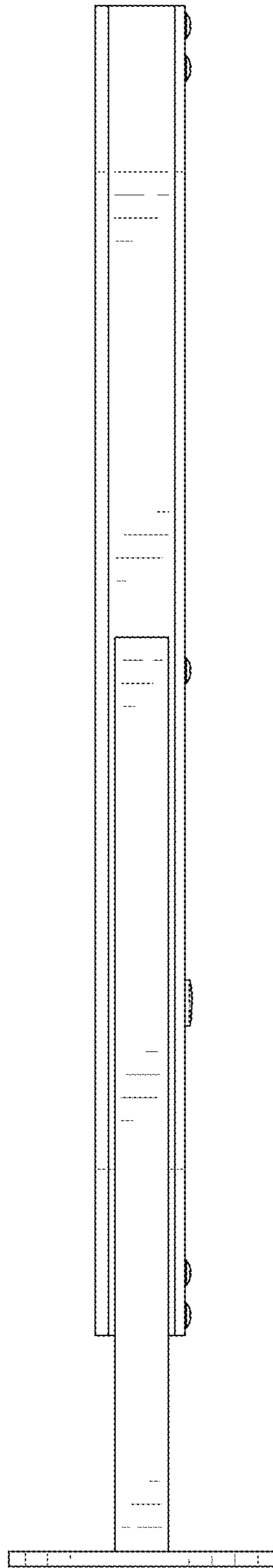


FIG. 6

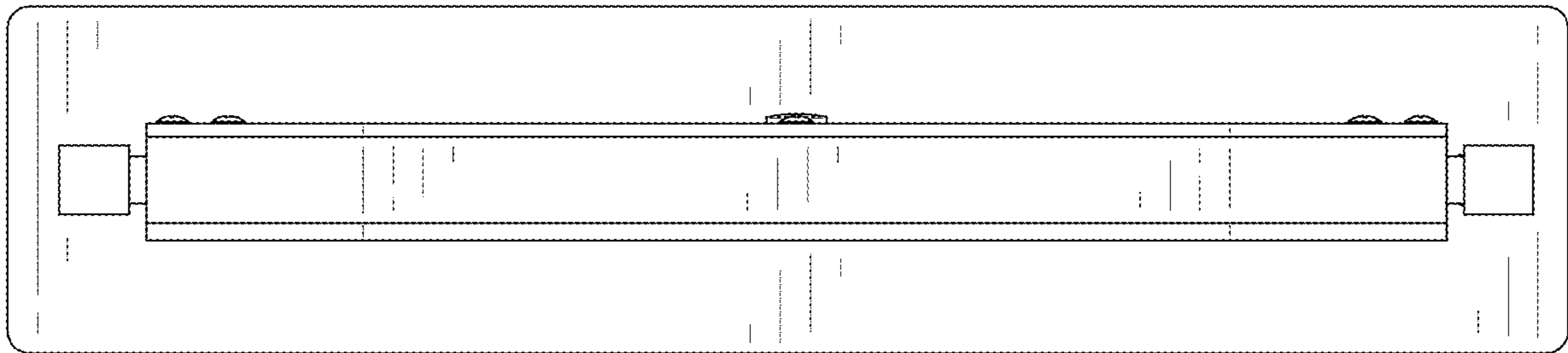


FIG. 7

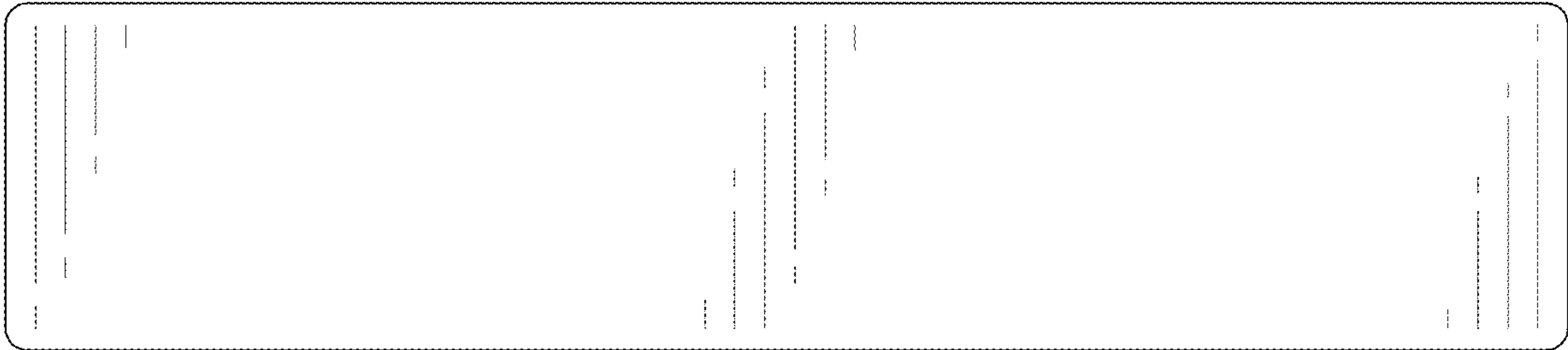


FIG. 8