



US00D889855S

(12) **United States Design Patent**
Liu

(10) **Patent No.:** **US D889,855 S**

(45) **Date of Patent:** **** Jul. 14, 2020**

(54) **SMART MIRROR**

(71) Applicant: **CAL-COMP BIG DATA, INC.**, New Taipei (TW)

(72) Inventor: **Chia-Chen Liu**, New Taipei (TW)

(73) Assignee: **CAL-COMP BIG DATA, INC.**, New Taipei (TW)

(**) Term: **15 Years**

(21) Appl. No.: **29/689,848**

(22) Filed: **May 2, 2019**

(51) **LOC (12) Cl.** **06-07**

(52) **U.S. Cl.**
USPC **D6/308**

(58) **Field of Classification Search**
USPC D6/300–314
CPC . H04M 1/0237; H04M 1/0245; F16M 11/105
See application file for complete search history.

(56) **References Cited**

U.S. PATENT DOCUMENTS

D536,881	S	*	2/2007	Mischel, Jr.	D6/308
D544,219	S	*	6/2007	Mischel, Jr.	D6/300
D545,574	S	*	7/2007	Mischel, Jr.	D6/300
D546,073	S	*	7/2007	Mischel, Jr.	D6/300
D595,511	S	*	7/2009	Mischel, Jr.	D6/308
D743,704	S	*	11/2015	Kaiser	D6/300
D812,384	S	*	3/2018	Zhu	D6/311
D834,751	S	*	11/2018	Kaiser	D28/64.2
D835,348	S	*	12/2018	Kaiser	D28/64.2
10,550,995	B1	*	2/2020	Hung	F16M 11/105
2011/0299235	A1	*	12/2011	Liu	H04M 1/0237 361/679.09
2012/0162876	A1	*	6/2012	Kim	H01M 1/0237 361/679.01

OTHER PUBLICATIONS

HiMirror Slide—Slide into smart beauty, available Oct. 13, 2019, [online], [site visited May 23, 2020]. Video available from internet, URL: <https://www.youtube.com/watch?v=43ocWRf5EkQ> (Year: 2019).*

HiMirror launch the HiMirror Slide, available Sep. 5, 2019, [online], [site visited May 23, 2020]. Available from internet, URL: <https://www.oxgadgets.com/2019/09/himirror-launch-the-himirror-slide.html> (Year: 2019).*

* cited by examiner

Primary Examiner — W. A. Teddy Falloway

(74) *Attorney, Agent, or Firm* — Chun-Ming Shih

(57) **CLAIM**

The ornamental design for a smart mirror, as shown and described.

DESCRIPTION

FIG. 1 is a perspective view of a smart mirror showing my new design;

FIG. 2 is a front view thereof;

FIG. 3 is a rear view thereof;

FIG. 4 is a left side view thereof;

FIG. 5 is a right side view thereof;

FIG. 6 is a top view thereof;

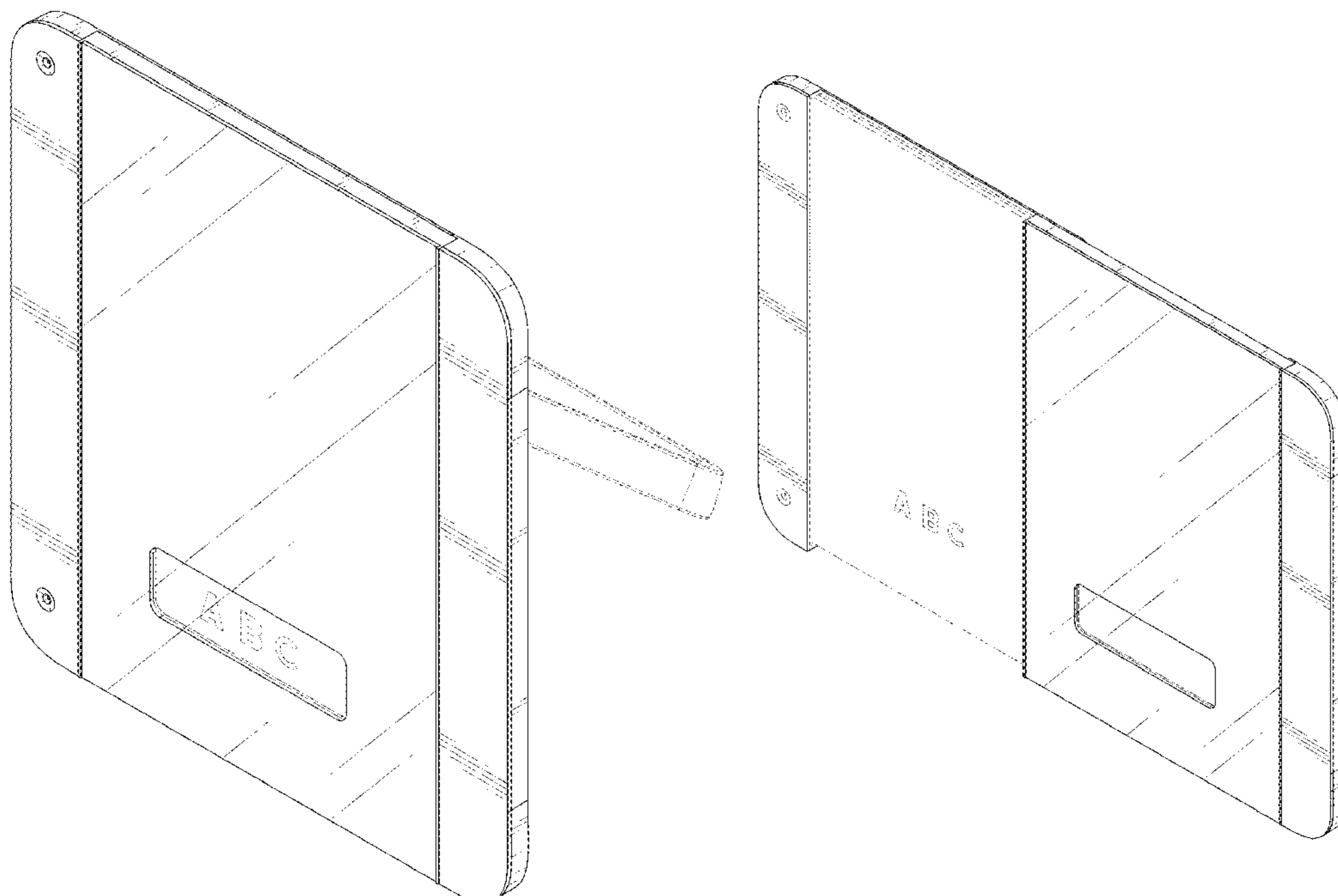
FIG. 7 is a bottom view thereof;

FIG. 8 is second perspective view thereof; and,

FIG. 9 is a perspective view showing the smart mirror in use.

The broken lines in the drawings illustrate portions of the smart mirror that form no part of the claimed design.

1 Claim, 9 Drawing Sheets



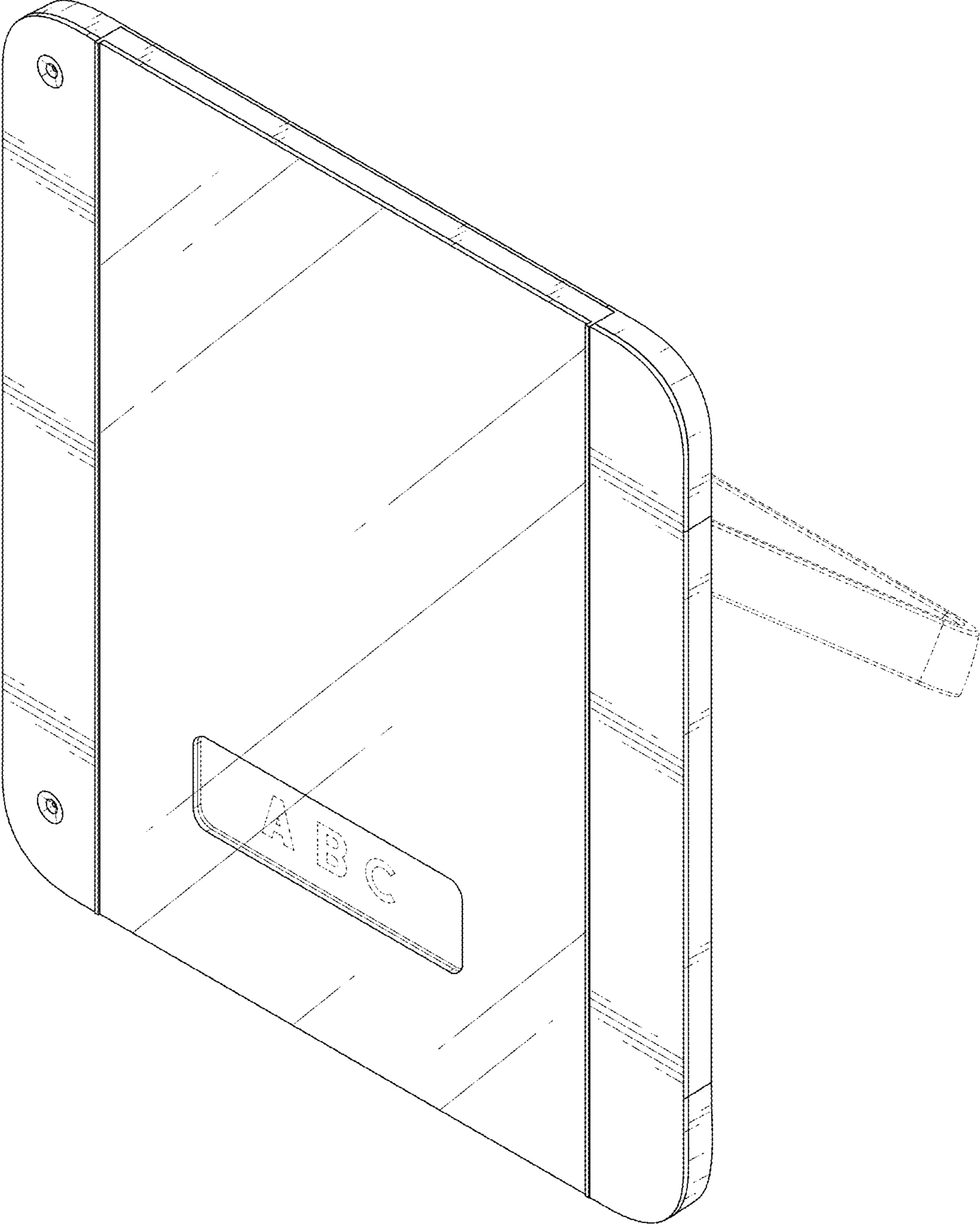


FIG.1

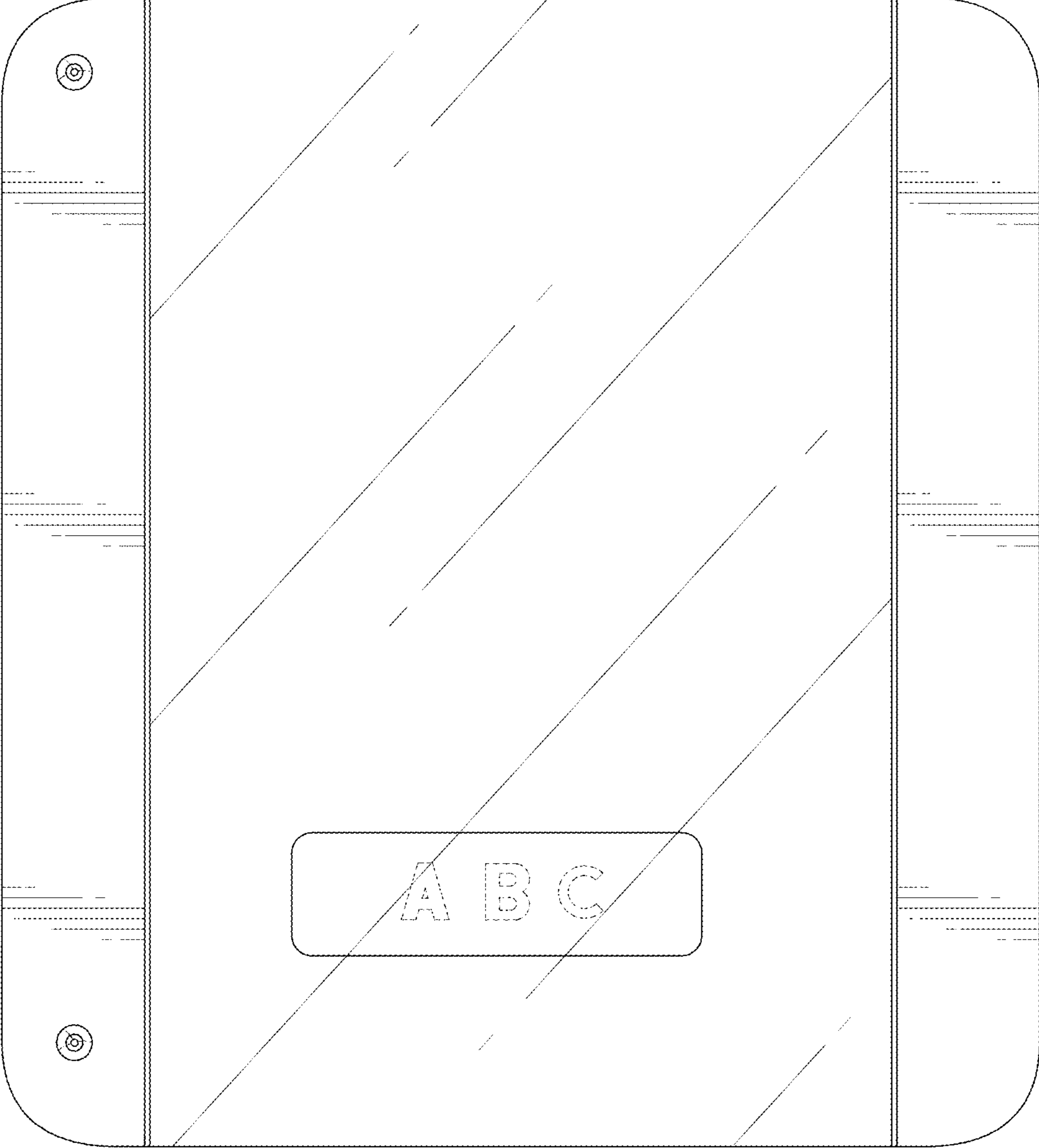


FIG.2

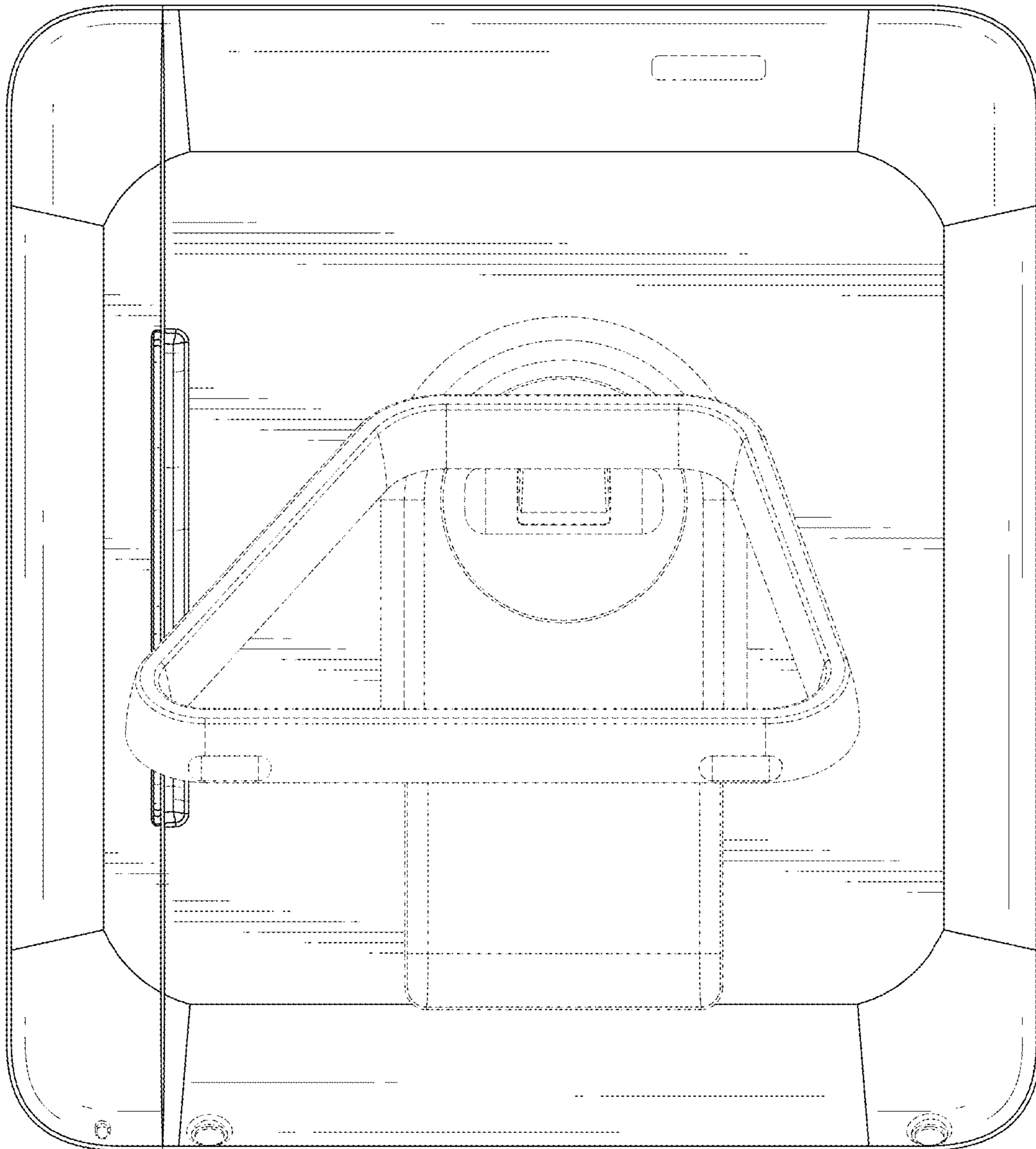


FIG.3

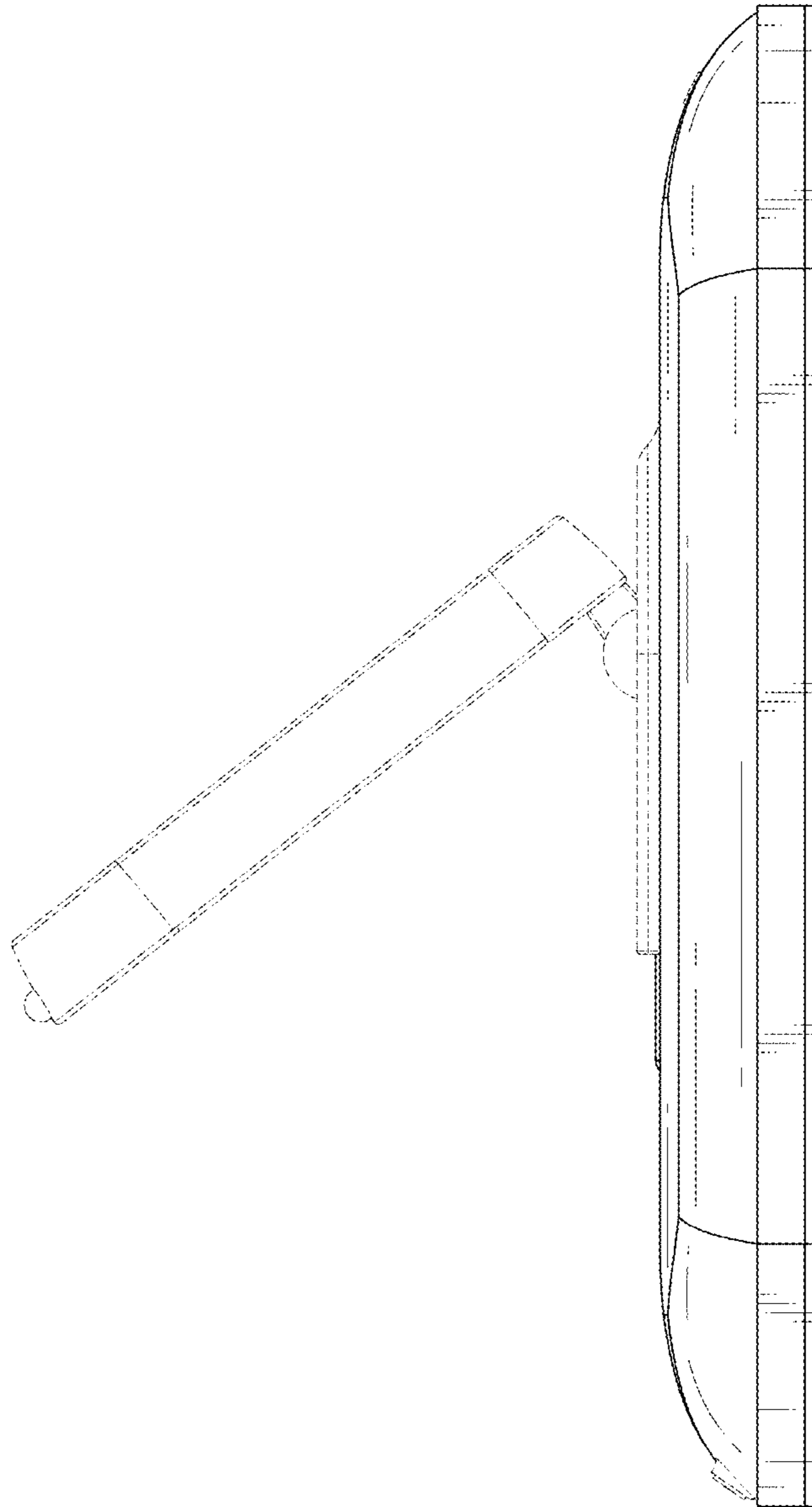


FIG.4

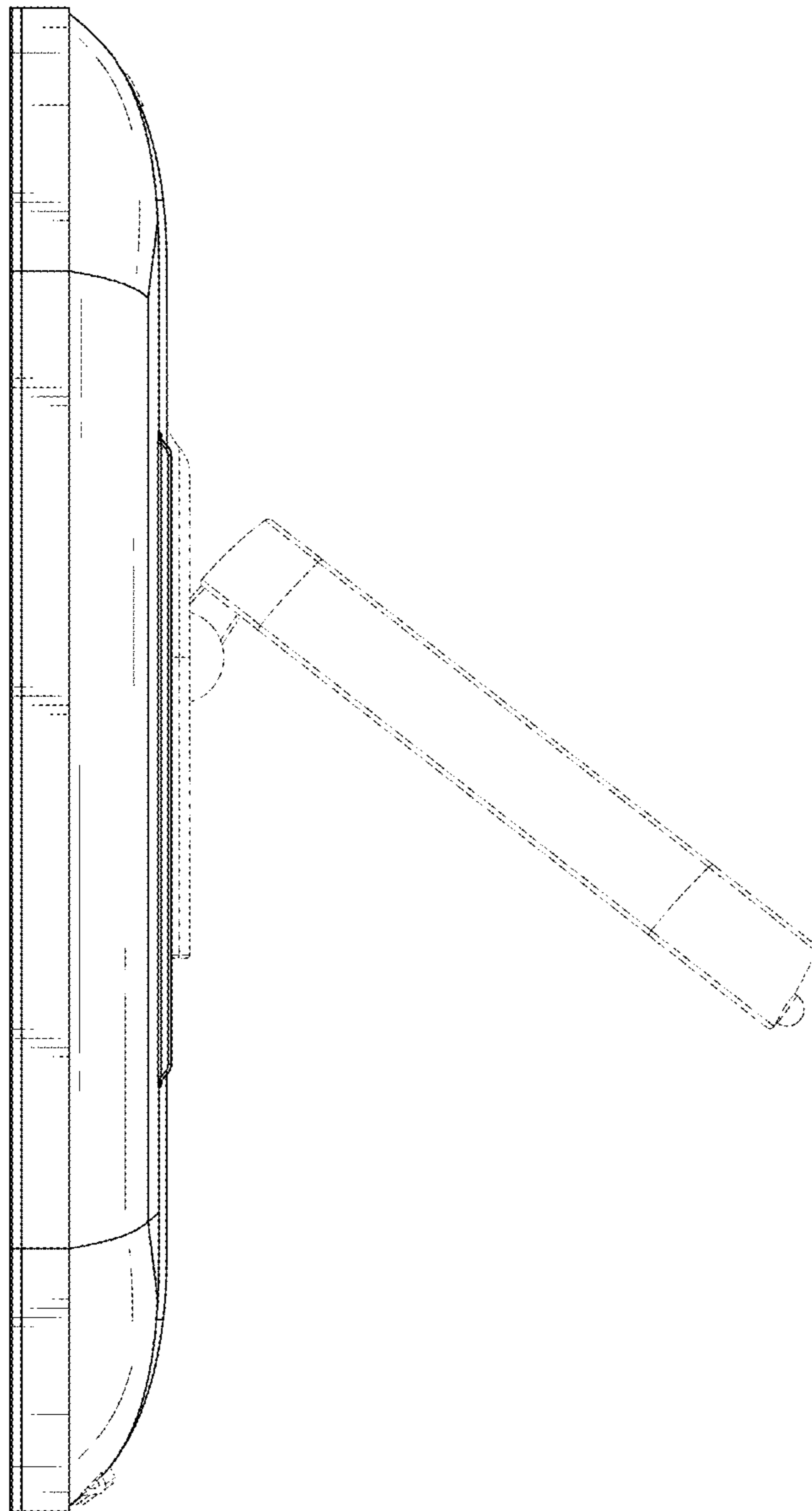


FIG.5

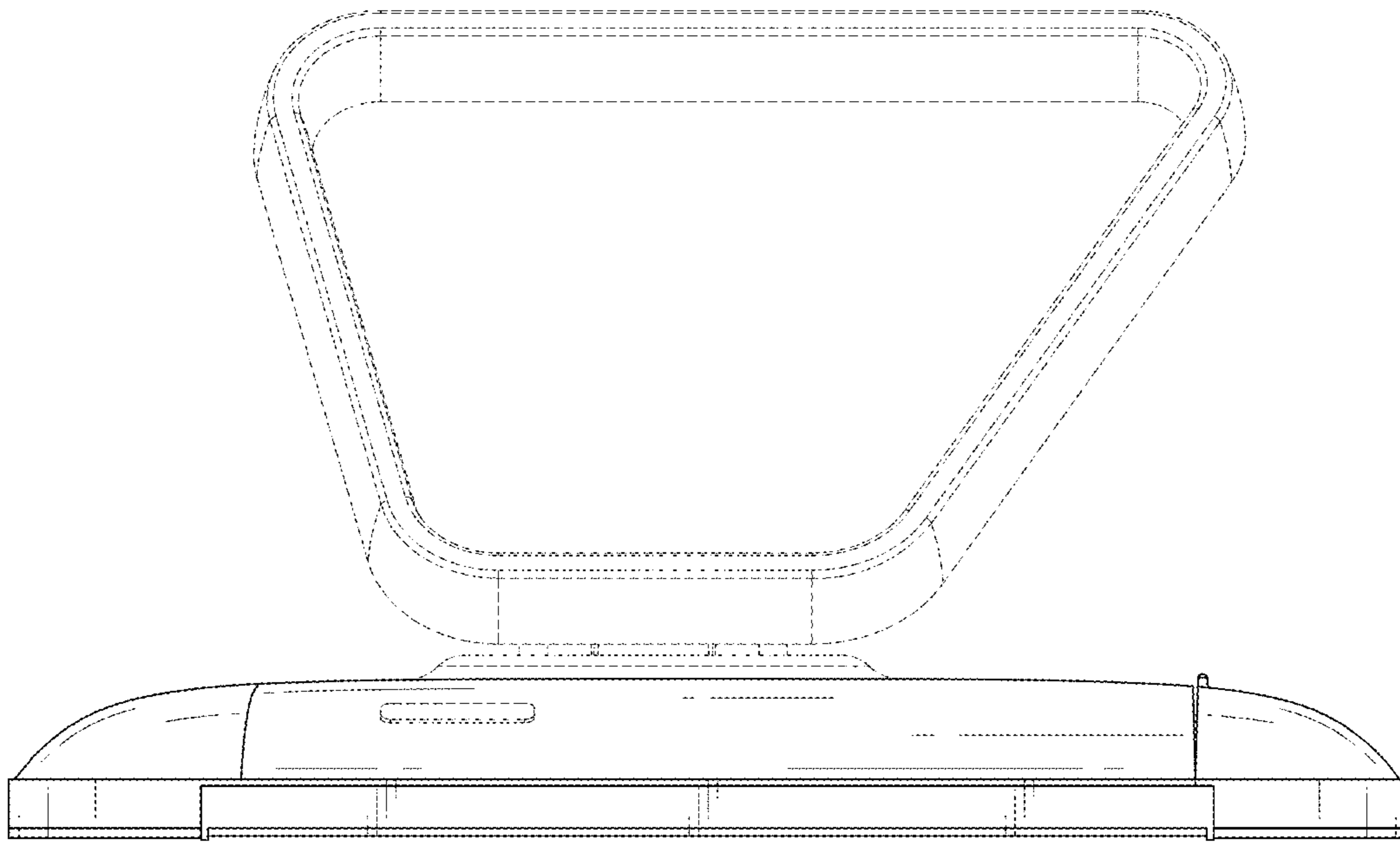


FIG.6

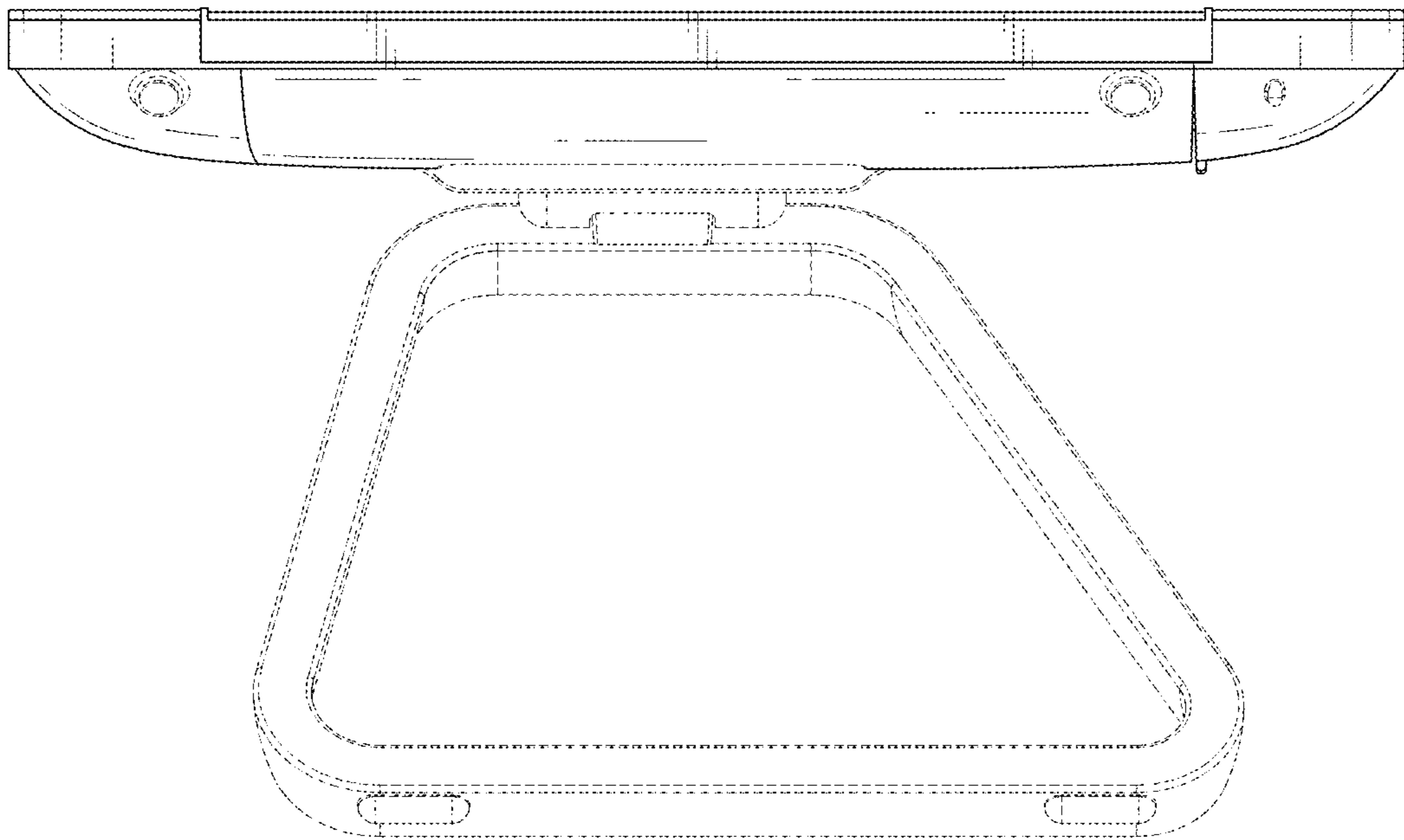


FIG.7

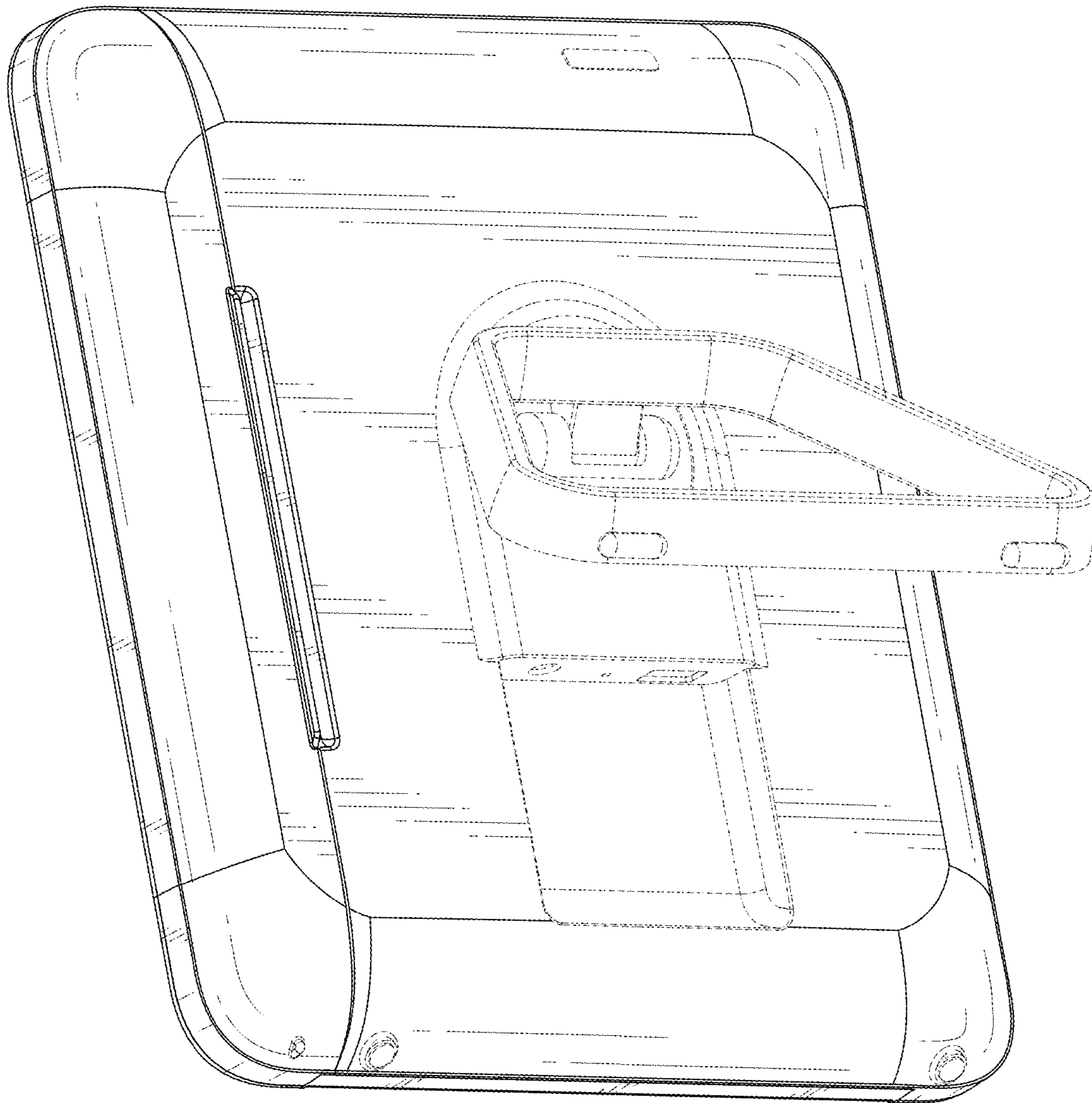


FIG.8

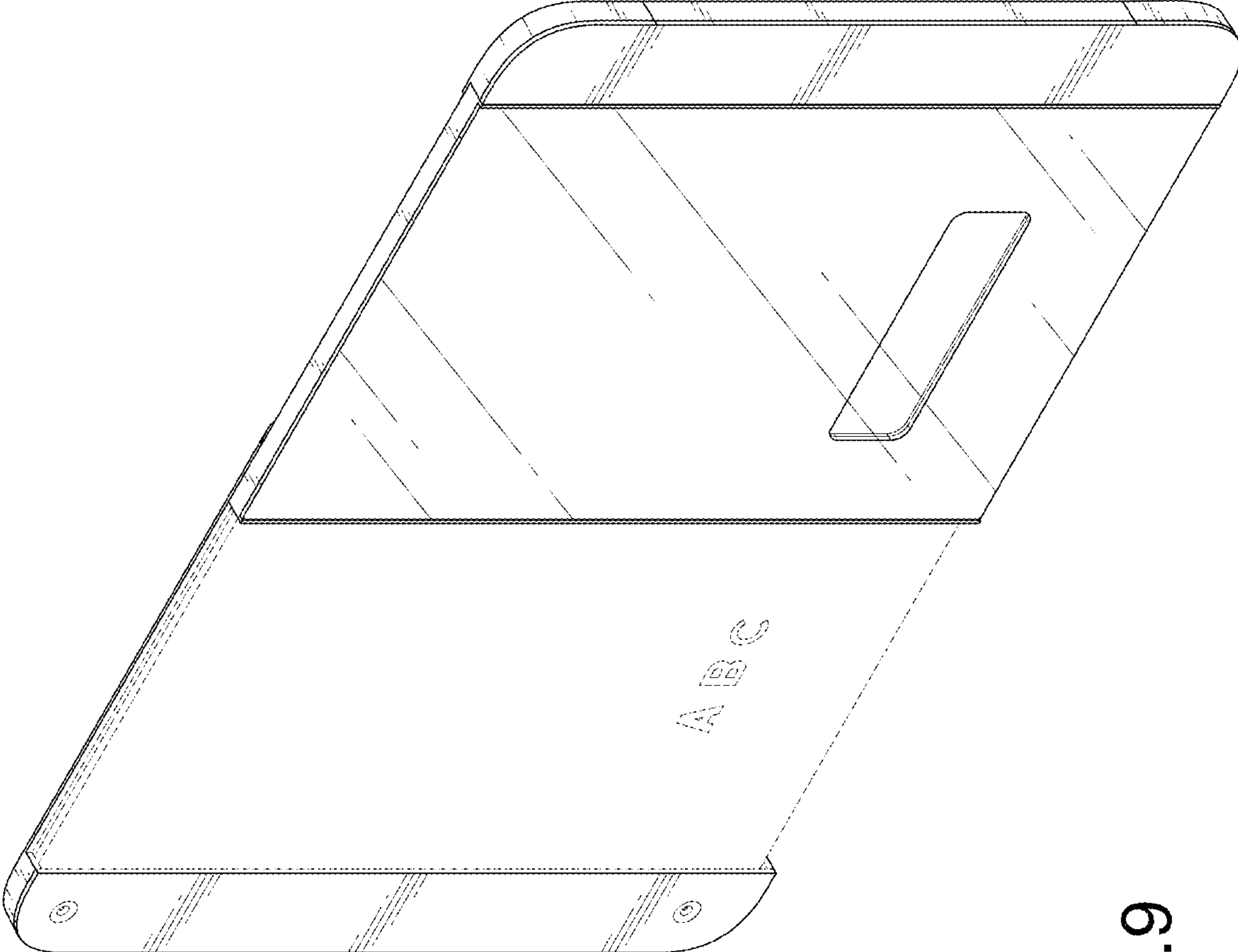


FIG.9