



US00D889853S

(12) **United States Design Patent**
Costa

(10) **Patent No.:** **US D889,853 S**
(45) **Date of Patent:** **** Jul. 14, 2020**

(54) **APPLICATOR BRUSH**
(71) Applicant: **Michael John Costa**, Lincoln, RI (US)
(72) Inventor: **Michael John Costa**, Lincoln, RI (US)
(73) Assignee: **Fourstar Group Inc.**, Taipei (TW)
(**) Term: **15 Years**
(21) Appl. No.: **29/661,751**
(22) Filed: **Aug. 30, 2018**
(51) **LOC (12) Cl.** **04-02**
(52) **U.S. Cl.**
USPC **D4/135**
(58) **Field of Classification Search**
USPC D4/114, 115, 116, 118, 120, 121, 122,
D4/123, 124, 127, 128, 130, 131, 133,
D4/134, 135, 136, 137, 138, 199; D28/7,
D28/8; 15/104.94, 106
CPC ... A46B 2200/1046; A46B 5/02; A46B 9/021;
A45D 2019/0091; A45D 34/045
See application file for complete search history.

D505,269 S * 5/2005 Cheung D4/135
D521,243 S 5/2006 Olsson et al.
D539,549 S 4/2007 Kipry et al.
7,219,801 B2 * 5/2007 Christian A45D 40/262
132/218
D577,494 S 9/2008 McBarnett et al.
D614,407 S 4/2010 Muhl et al.
7,779,847 B2 * 8/2010 Castagno A45D 19/0008
132/200
D646,018 S 9/2011 Anderson
D646,019 S * 9/2011 Anderson D28/7
8,118,037 B2 2/2012 Cardenas et al.
8,215,318 B2 * 7/2012 Jacob A45D 19/02
132/202
D679,506 S * 4/2013 Hile D4/135
8,701,684 B2 * 4/2014 Muhl A45D 19/00
132/120
8,960,205 B2 * 2/2015 Boyle A45D 19/00
132/207
D751,824 S * 3/2016 Childs D4/135
(Continued)

FOREIGN PATENT DOCUMENTS

CN 304744611 * 7/2018
CN 305030451 * 2/2019

Primary Examiner — Karen E Eldridge Powers
(74) *Attorney, Agent, or Firm* — Salter & Michaelson

(56) **References Cited**

U.S. PATENT DOCUMENTS

D183,167 S 7/1958 Gore
D268,225 S 3/1983 Ellenson
D338,341 S 8/1993 Colon et al.
5,449,637 A 9/1995 Saito et al.
D371,004 S 6/1996 Peischl et al.
D400,358 S * 11/1998 Zemel D4/114
D405,614 S 2/1999 Geardino et al.
5,881,421 A * 3/1999 Ducharme A46B 5/02
15/106
6,092,535 A 7/2000 Moore
D442,331 S 5/2001 Pannozzo et al.
D449,167 S 10/2001 Kwong
D451,244 S 11/2001 Chen et al.
D466,306 S 12/2002 Skwarek et al.

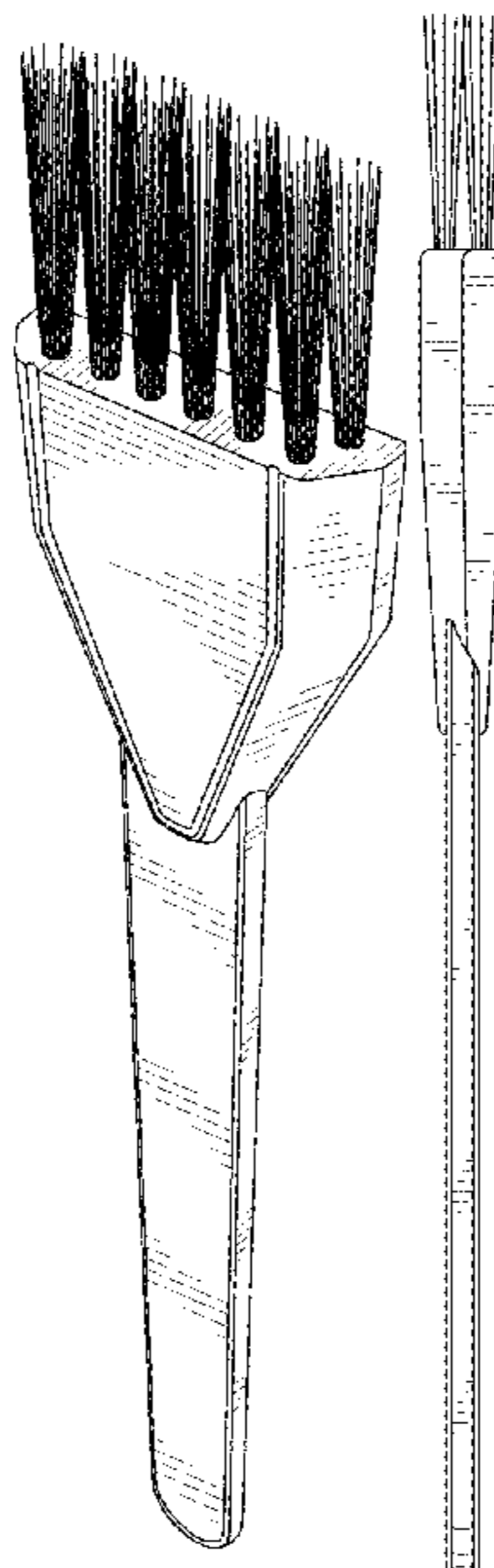
(57) **CLAIM**

The ornamental design for an applicator brush, as shown.

DESCRIPTION

FIG. 1 is a perspective view of an applicator brush;
FIG. 2 is a top plan view thereof;
FIG. 3 is a bottom plan view thereof;
FIG. 4 is a left side elevational view thereof;
FIG. 5 is a right side elevational view thereof;
FIG. 6 is a front elevational view thereof; and,
FIG. 7 is a rear elevational view thereof.

1 Claim, 5 Drawing Sheets



(56)

References Cited

U.S. PATENT DOCUMENTS

D785,948 S * 5/2017 Weaver D4/135
D792,710 S 7/2017 McDuffie et al.
2003/0034043 A1* 2/2003 Anselmo A45D 19/02
132/150
2005/0257803 A1* 11/2005 Albaneze A46B 7/023
132/270
2007/0119472 A1* 5/2007 West A45D 19/0008
132/208
2010/0095974 A1* 4/2010 Laje A45D 19/00
132/208
2019/0166985 A1* 6/2019 Taine A45D 19/0008

* cited by examiner

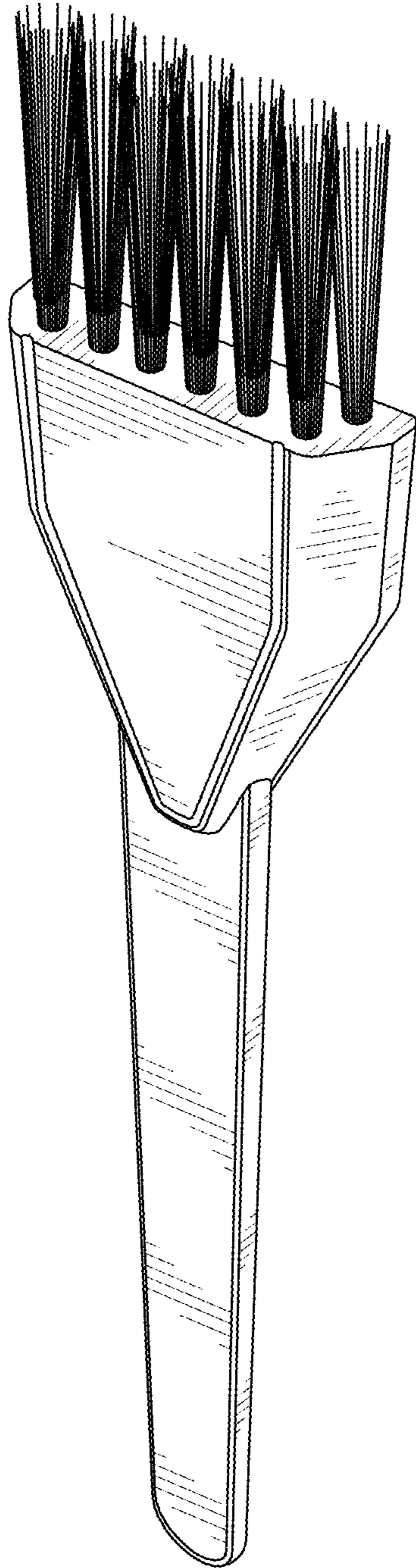


FIG. 1

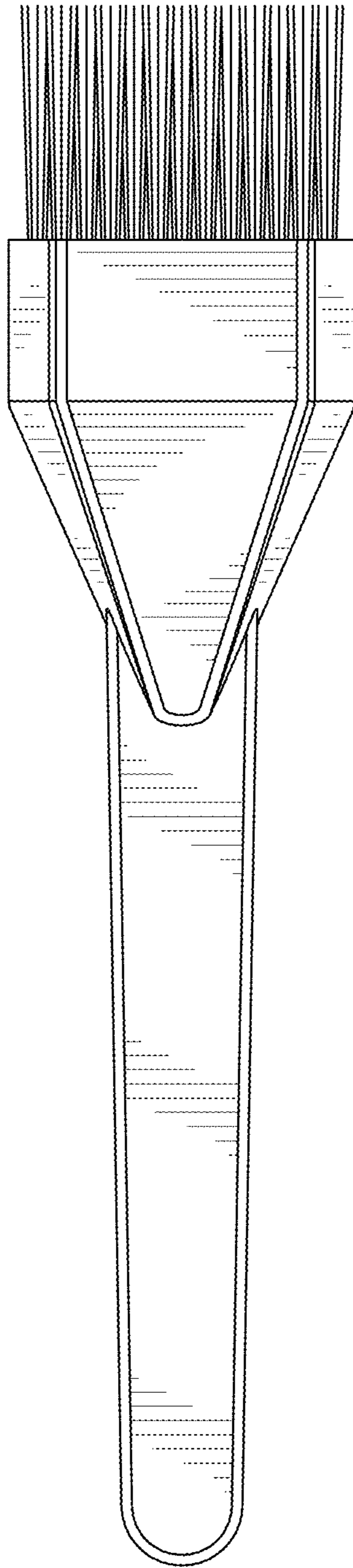


FIG. 2

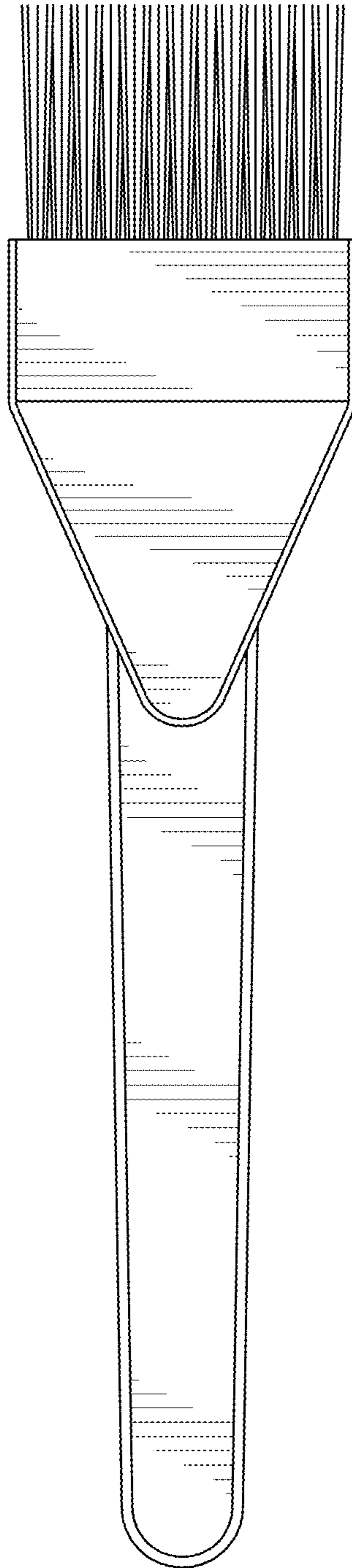


FIG. 3

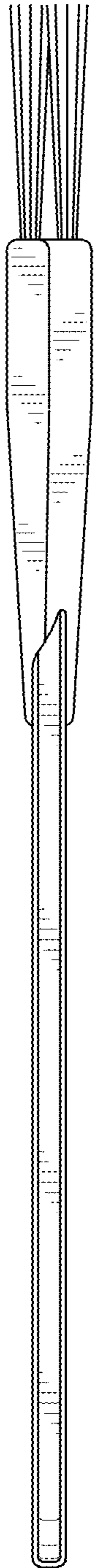


FIG. 4

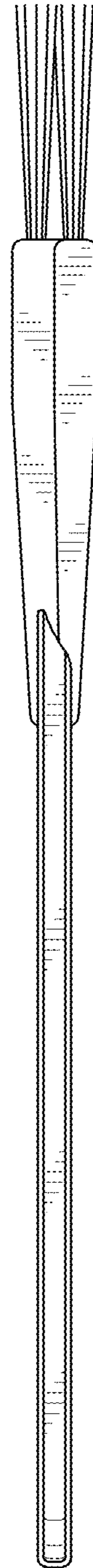


FIG. 5

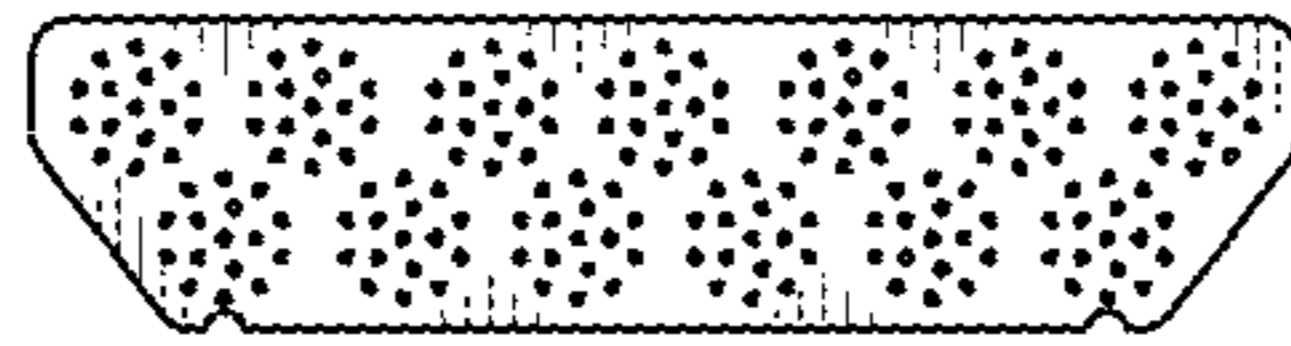


FIG. 6

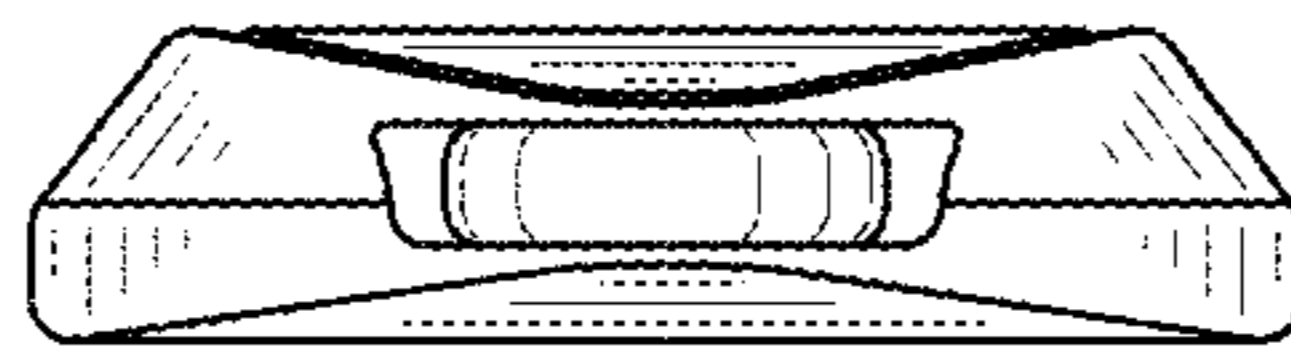


FIG. 7