



US00D889852S

(12) **United States Design Patent** (10) **Patent No.:** **US D889,852 S**
Libman et al. (45) **Date of Patent:** **** Jul. 14, 2020**

(54) **ROLLER**

(71) Applicant: **The Libman Company**, Arcola, IL (US)

(72) Inventors: **Andrew D. Libman**, Champaign, IL (US); **Aaron Libman**, Champaign, IL (US); **Carlos Aguiar**, Burgo (PT); **Jon Franklin**, St. Joseph, IL (US)

(73) Assignee: **The Libman Company**, Arcola, IL (US)

(**) Term: **15 Years**

(21) Appl. No.: **29/682,144**

(22) Filed: **Mar. 1, 2019**

(51) **LOC (12) Cl.** **04-01**

(52) **U.S. Cl.**

USPC **D4/122**

(58) **Field of Classification Search**

USPC D4/122, 138; 15/27, 104.001, 104.002, 15/230.11; 492/13, 16-19

CPC B05C 1/00; B05C 1/02; B05C 17/0205; B44D 2/00

See application file for complete search history.

(56) **References Cited**

U.S. PATENT DOCUMENTS

D360,987 S * 8/1995 Sorenson D4/122
D584,059 S * 1/2009 Arvinte D4/122

D630,856 S * 1/2011 Arvinte D4/122
D637,403 S * 5/2011 Schmidt D4/122
D656,737 S * 4/2012 Crawley D4/122
D756,133 S * 5/2016 Michelson D4/122
D796,211 S * 9/2017 Getchell D4/122
D800,455 S * 10/2017 Ferris D4/122
D814,802 S * 4/2018 Arvinte D4/122

* cited by examiner

Primary Examiner — Austin Murphy

(74) *Attorney, Agent, or Firm* — Banner & Witcoff, Ltd.

(57) **CLAIM**

The ornamental design for a roller, as shown and described.

DESCRIPTION

FIG. 1 is a top, front, right perspective view of a roller showing our new design;

FIG. 2 is a front view thereof;

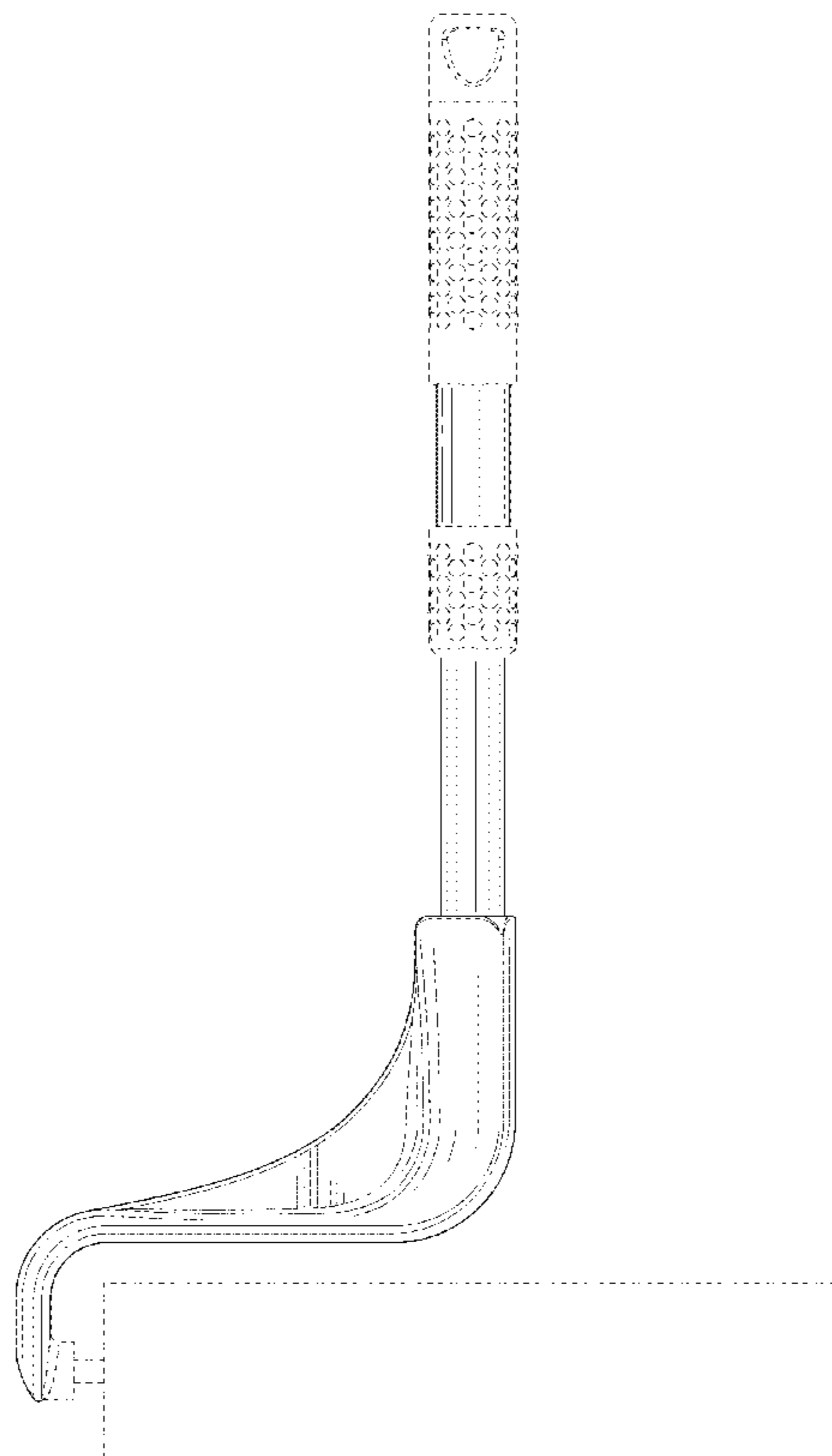
FIG. 3 is a rear view thereof;

FIG. 4 is a left side view thereof; and,

FIG. 5 is a right side view thereof.

The broken lines immediately adjacent to the shaded area define the bounds of the claimed design and form no part thereof.

1 Claim, 5 Drawing Sheets



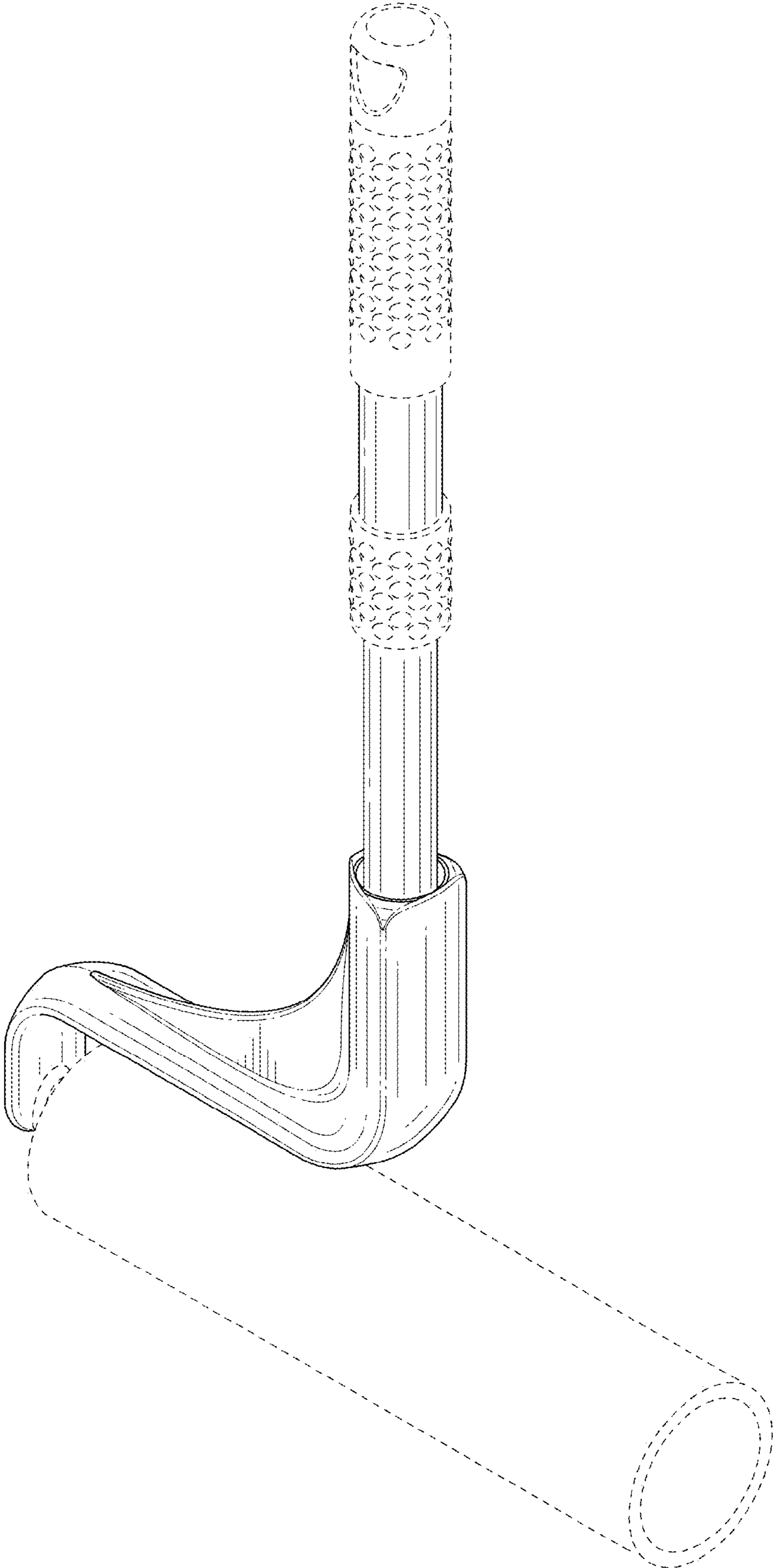


FIG. 1

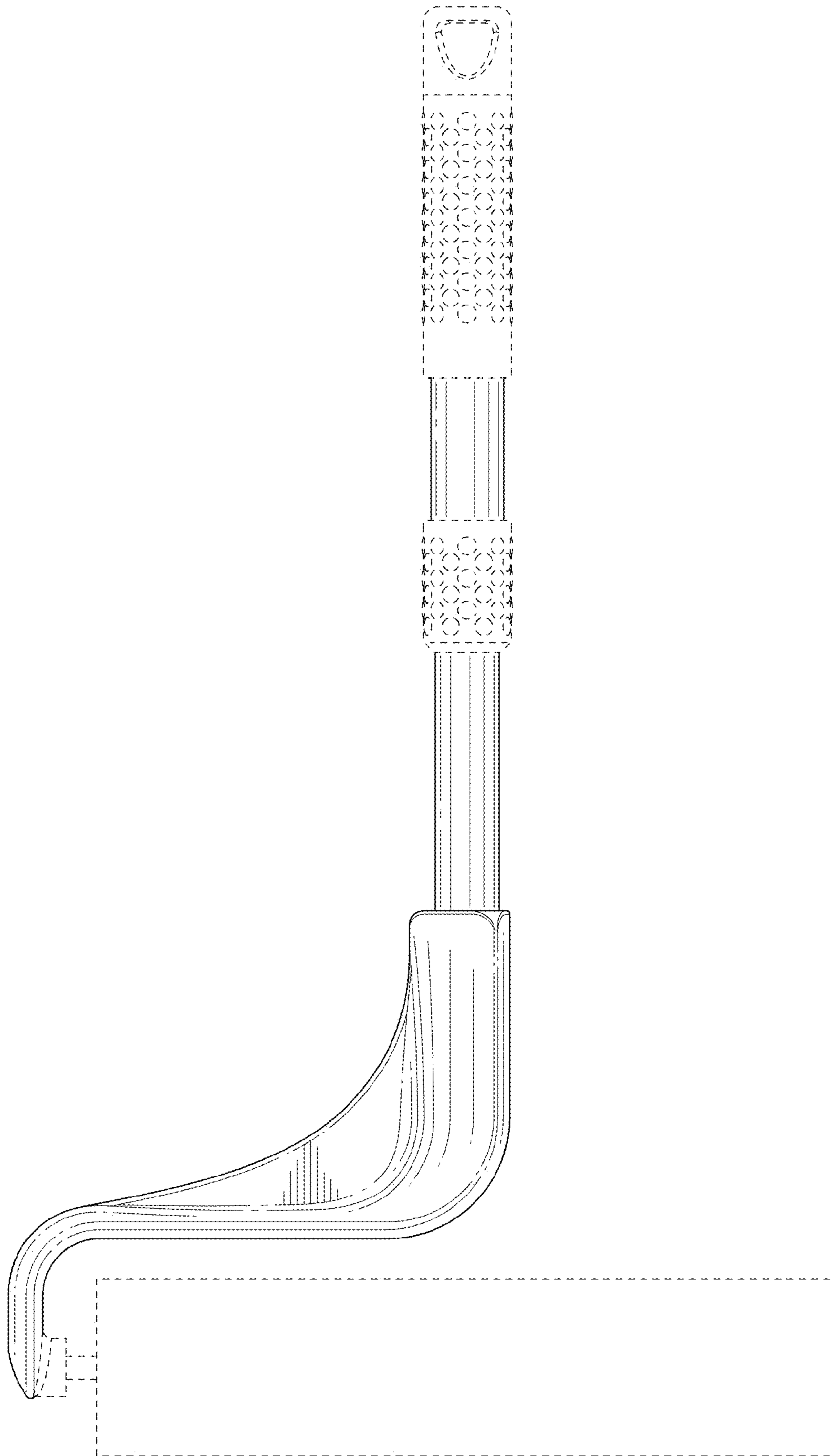


FIG. 2

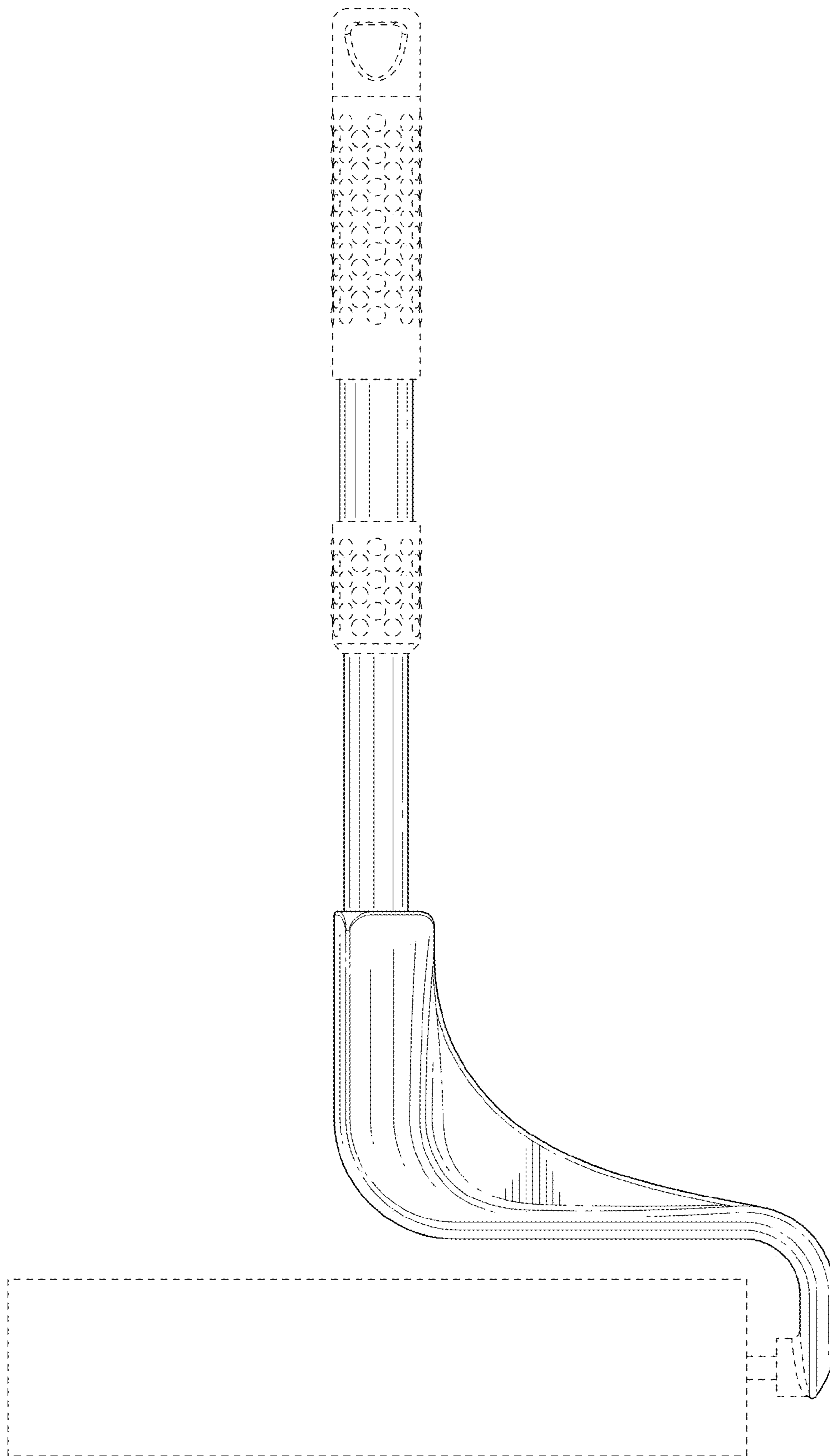


FIG. 3

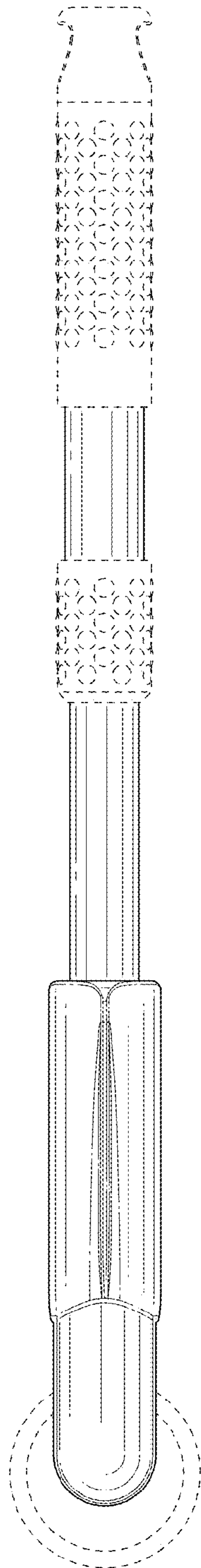


FIG.4

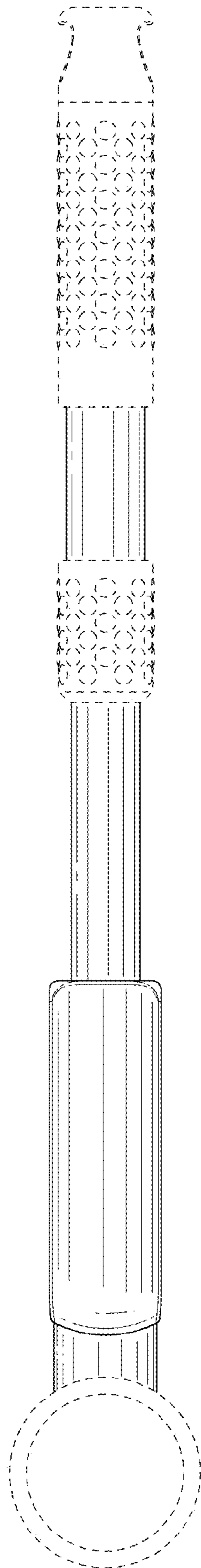


FIG. 5