



US00D889851S

(12) **United States Design Patent**
Lei

(10) **Patent No.:** **US D889,851 S**

(45) **Date of Patent:** **** Jul. 14, 2020**

- (54) **LINT REMOVER**
- (71) Applicant: **Dongliang Lei**, Yongzhou (CN)
- (72) Inventor: **Dongliang Lei**, Yongzhou (CN)
- (**) Term: **15 Years**
- (21) Appl. No.: **29/726,203**
- (22) Filed: **Mar. 2, 2020**
- (51) **LOC (12) Cl.** **04-99**
- (52) **U.S. Cl.**
USPC **D4/118**
- (58) **Field of Classification Search**
USPC D4/114-119, 122, 137, 132, 120, 121,
D4/138, 128, 131, 136, 133, 134, 135,
D4/123, 127, 130, 199, 101; D32/15, 40;
D28/7, 45, 50, 76
CPC A46B 5/02; A46B 5/021; A46B 5/023;
A46B 5/025; A46B 5/026; A46B 7/06;
A46B 7/10; A47J 45/00; A47J 45/06;
A47J 45/061; A47J 45/07; A47J 45/071;
B25G 1/00; B25G 1/005; B25G 1/10;
B25G 1/102; B25G 1/105; B26B 1/10;
Y10S 16/12; Y10S 16/19; Y10T 16/446;
Y10T 16/469; Y10T 16/476; A47L 25/00;
A47L 25/005; A47L 25/08; B08B 1/00;
B08B 1/04; B08B 7/0028; B05C 17/02;
B05C 17/0205; B05C 17/0217; B05C
17/0222; B05C 17/0225
See application file for complete search history.

(56) **References Cited**

U.S. PATENT DOCUMENTS

- 3,040,352 A * 6/1962 Vian A47L 25/005
15/104.002
- 3,363,276 A * 1/1968 Thomas, Jr. A47L 25/005
15/105
- 4,361,923 A * 12/1982 McKay A47L 25/005
15/104.002

- 4,422,201 A * 12/1983 McKay A47L 25/005
15/104.002
- D292,650 S * 11/1987 Schmitz D3/200
- D308,734 S * 6/1990 Markovich D28/7
- D309,376 S * 7/1990 Kiesz D4/122
- D309,378 S * 7/1990 Kiesz D4/121
- D313,088 S * 12/1990 Her D2/642
- 5,027,465 A * 7/1991 McKay A47L 25/005
15/104.002
- D403,820 S * 1/1999 Chang D32/40
- D554,375 S * 11/2007 Gunjian D4/128
- D654,699 S * 2/2012 Ross D4/116
- D674,611 S 1/2013 Gullatt
- 8,763,190 B2 * 7/2014 Ross A47L 13/00
15/104.001
- D733,434 S * 7/2015 Miwa D4/122
- D758,741 S * 6/2016 Sussman D32/46
- D826,571 S 8/2018 Wang
- D835,016 S 12/2018 Suesse
- D858,998 S * 9/2019 Zhang D4/122
- 2016/0120392 A1 * 5/2016 Jang A47L 25/08
15/104.002

(Continued)

Primary Examiner — Michelle E. Wilson

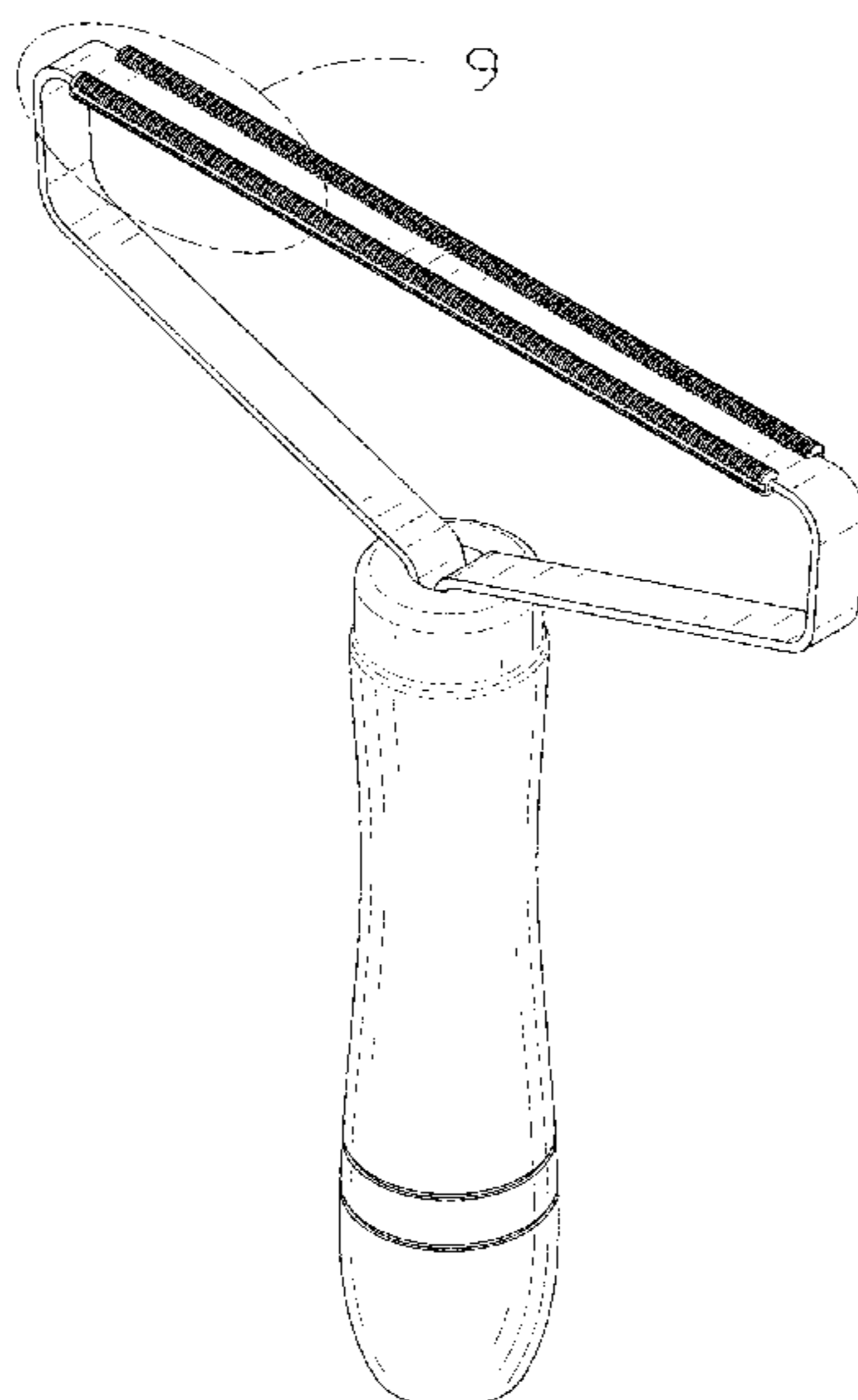
(57) **CLAIM**

The ornamental design for a lint remover, as shown and described.

DESCRIPTION

FIG. 1 is a perspective view of a lint remover showing my new design;
 FIG. 2 is another perspective view thereof;
 FIG. 3 is a front elevational view thereof;
 FIG. 4 is a rear elevational view thereof;
 FIG. 5 is a left side elevational view thereof;
 FIG. 6 is a right side elevational view thereof;
 FIG. 7 is a top plan view thereof;
 FIG. 8 is a bottom plan view thereof; and,
 FIG. 9 is an enlarged view of portion 9 shown in FIG. 1.

1 Claim, 9 Drawing Sheets



(56)

References Cited

U.S. PATENT DOCUMENTS

2018/0028046 A1* 2/2018 Macca A46B 9/023
2019/0246783 A1* 8/2019 Allen-Gipson A46B 13/001

* cited by examiner

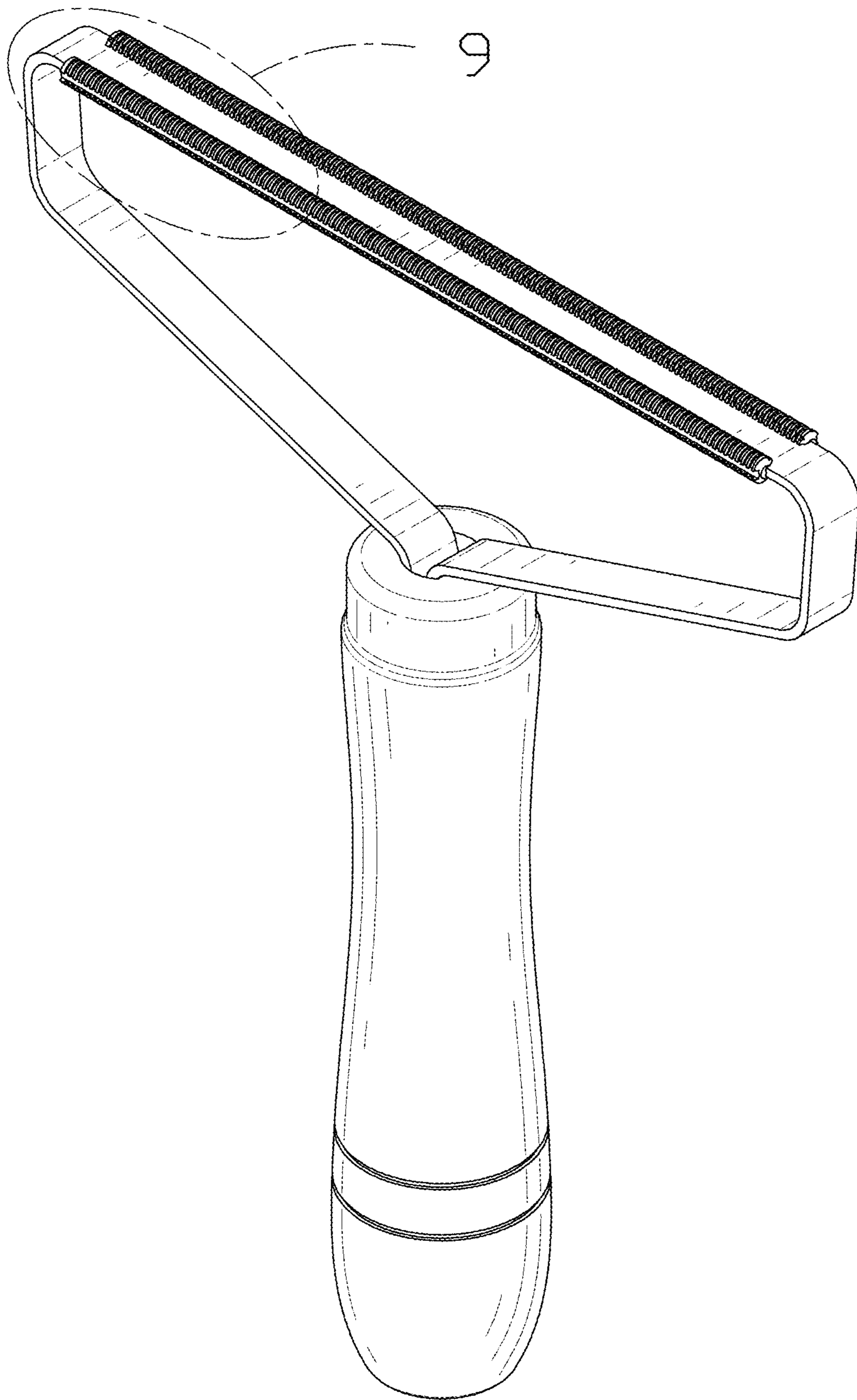


FIG. 1

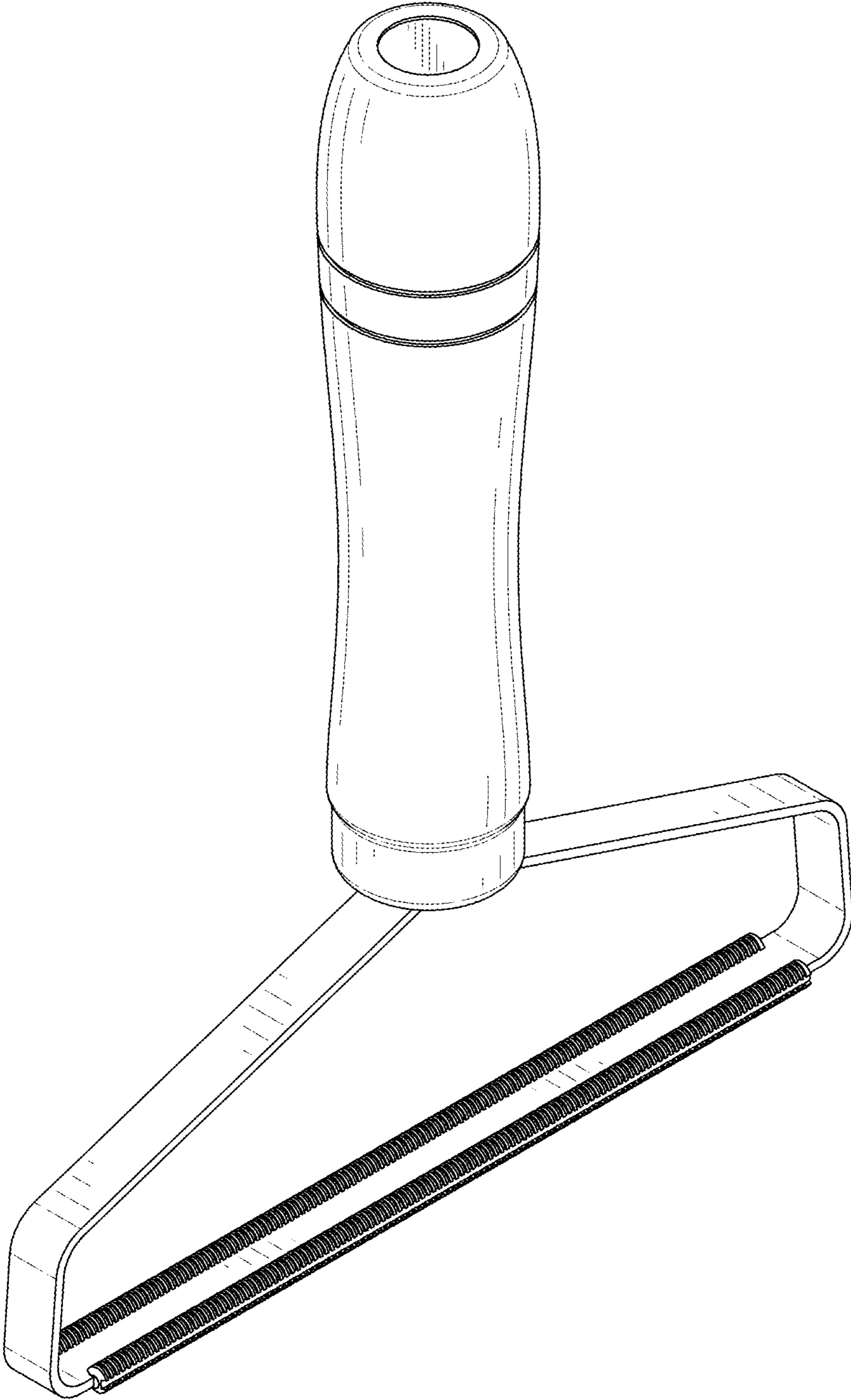


FIG. 2

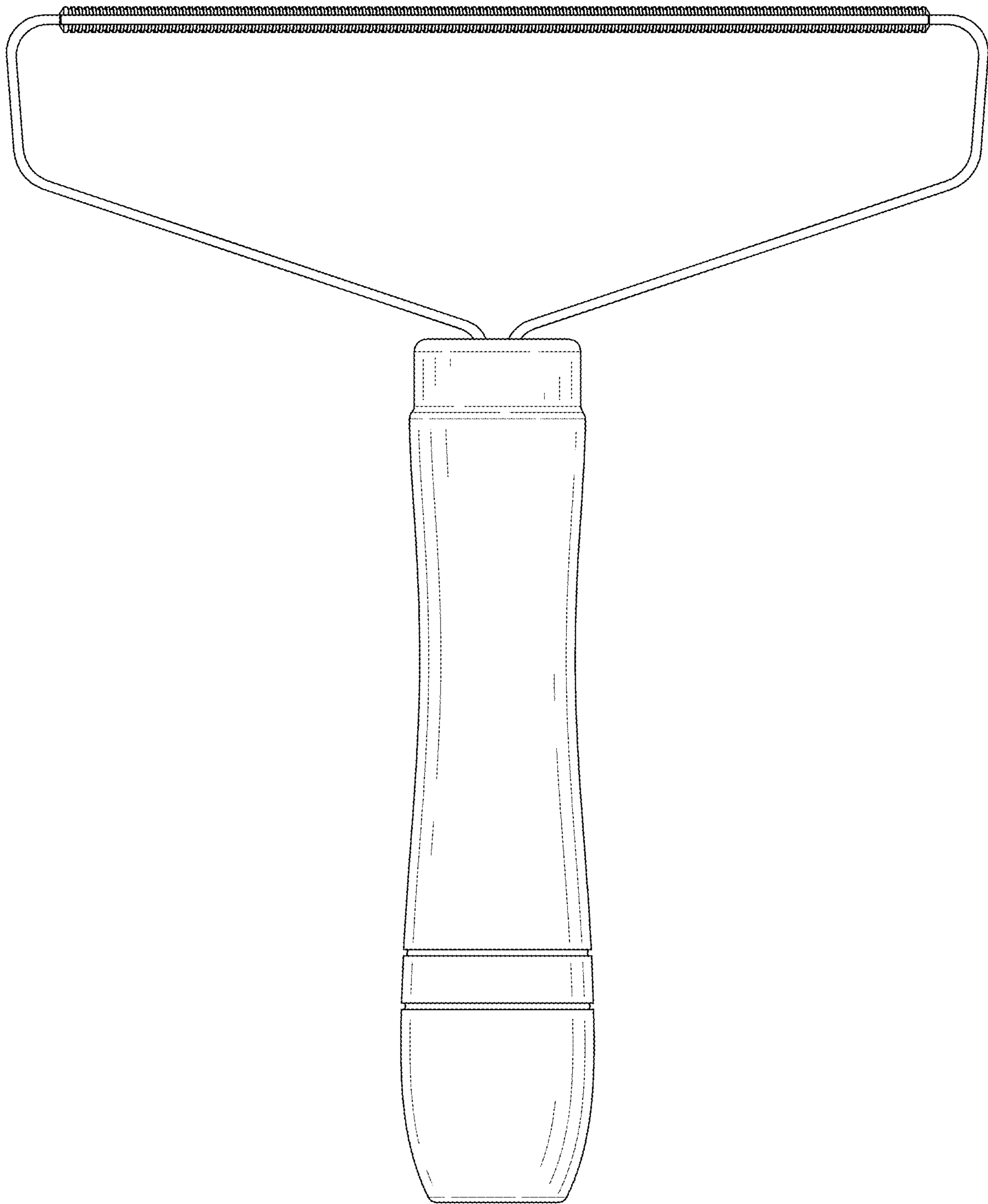


FIG. 3

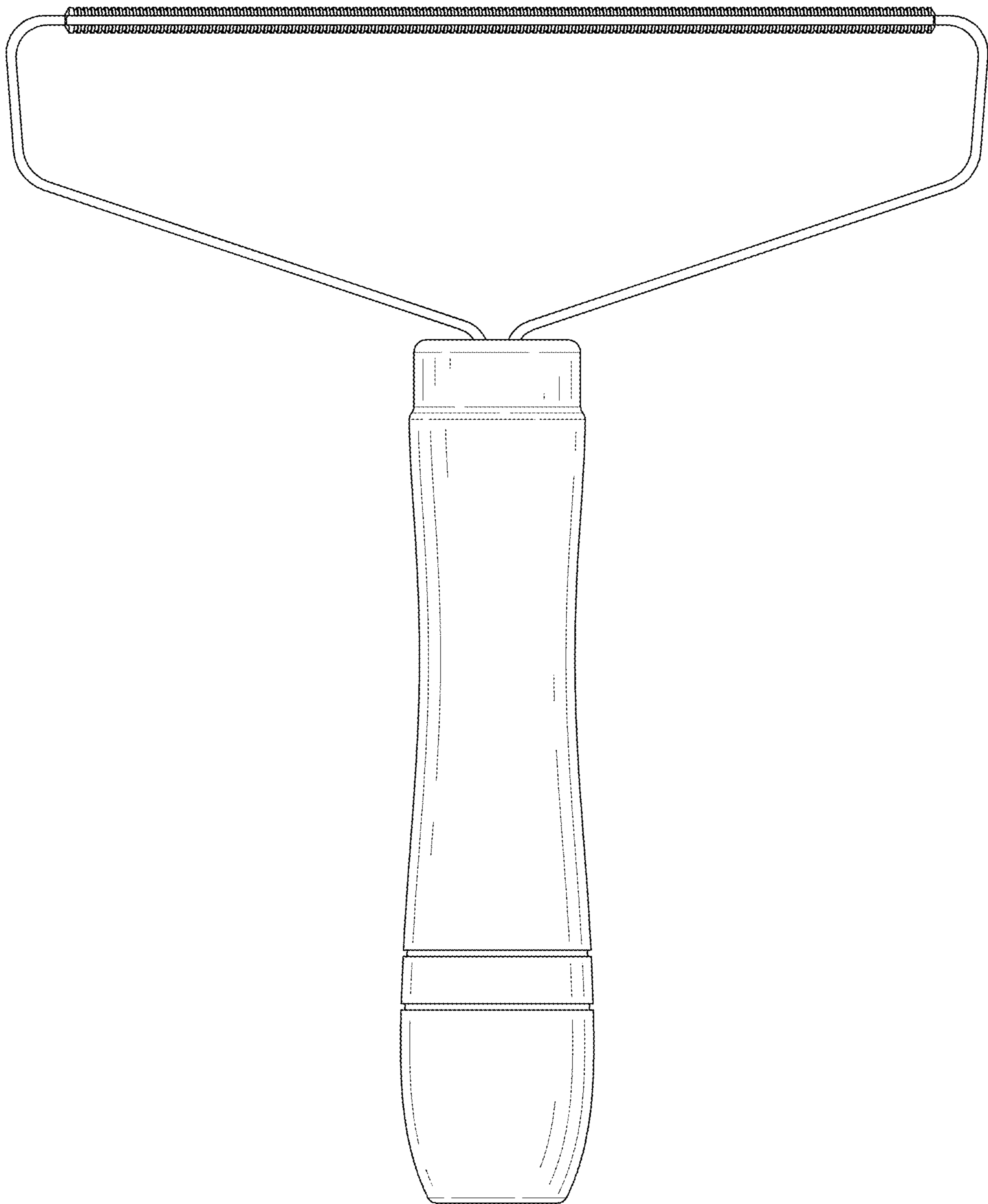


FIG. 4

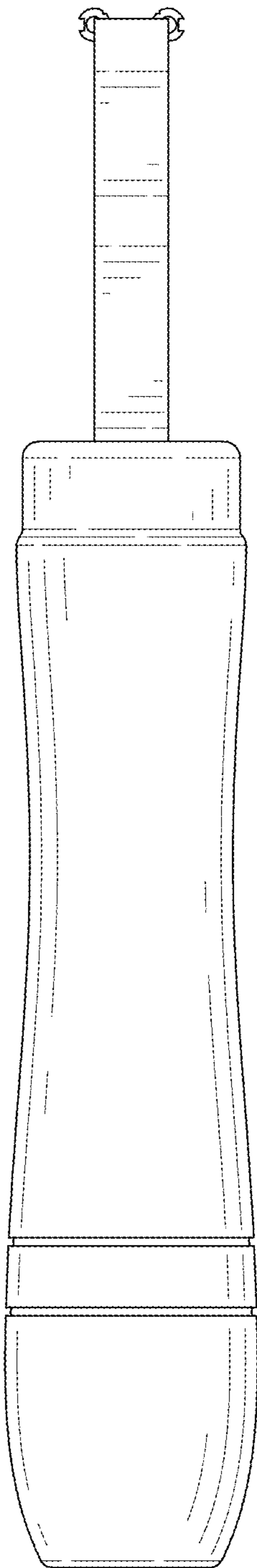


FIG. 5

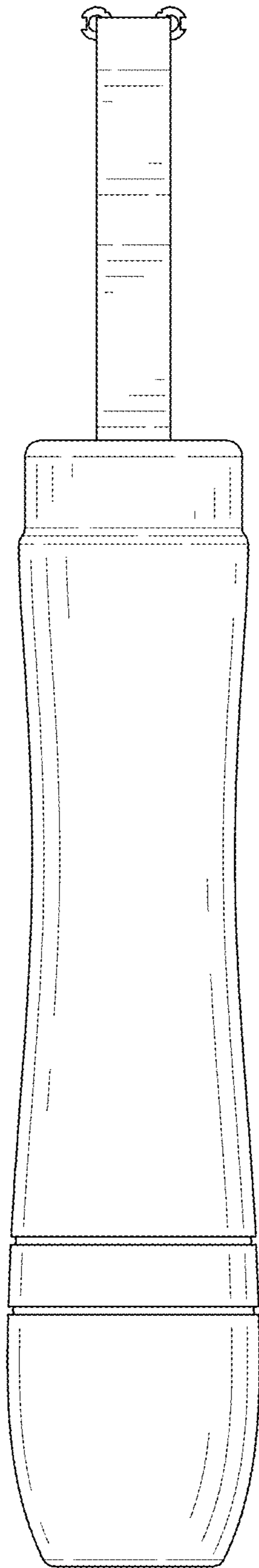


FIG. 6

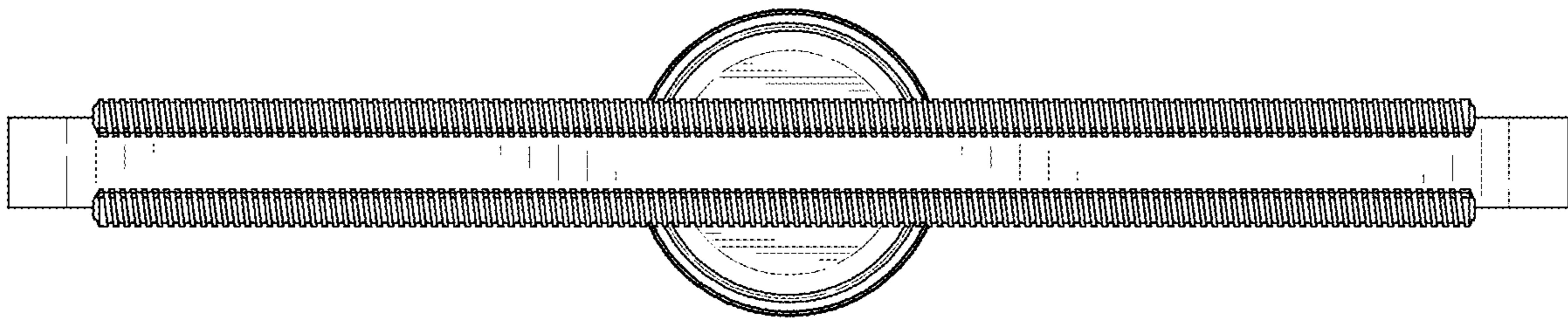


FIG. 7

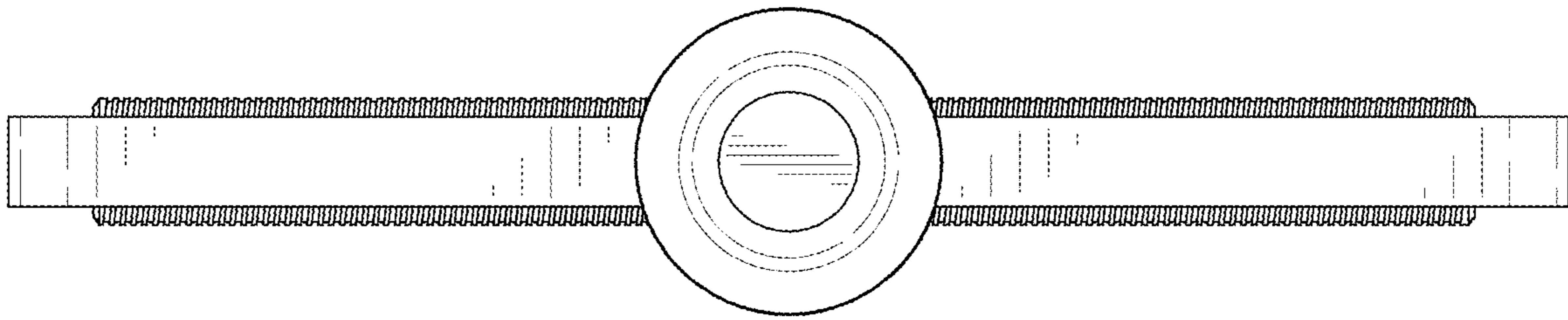


FIG. 8

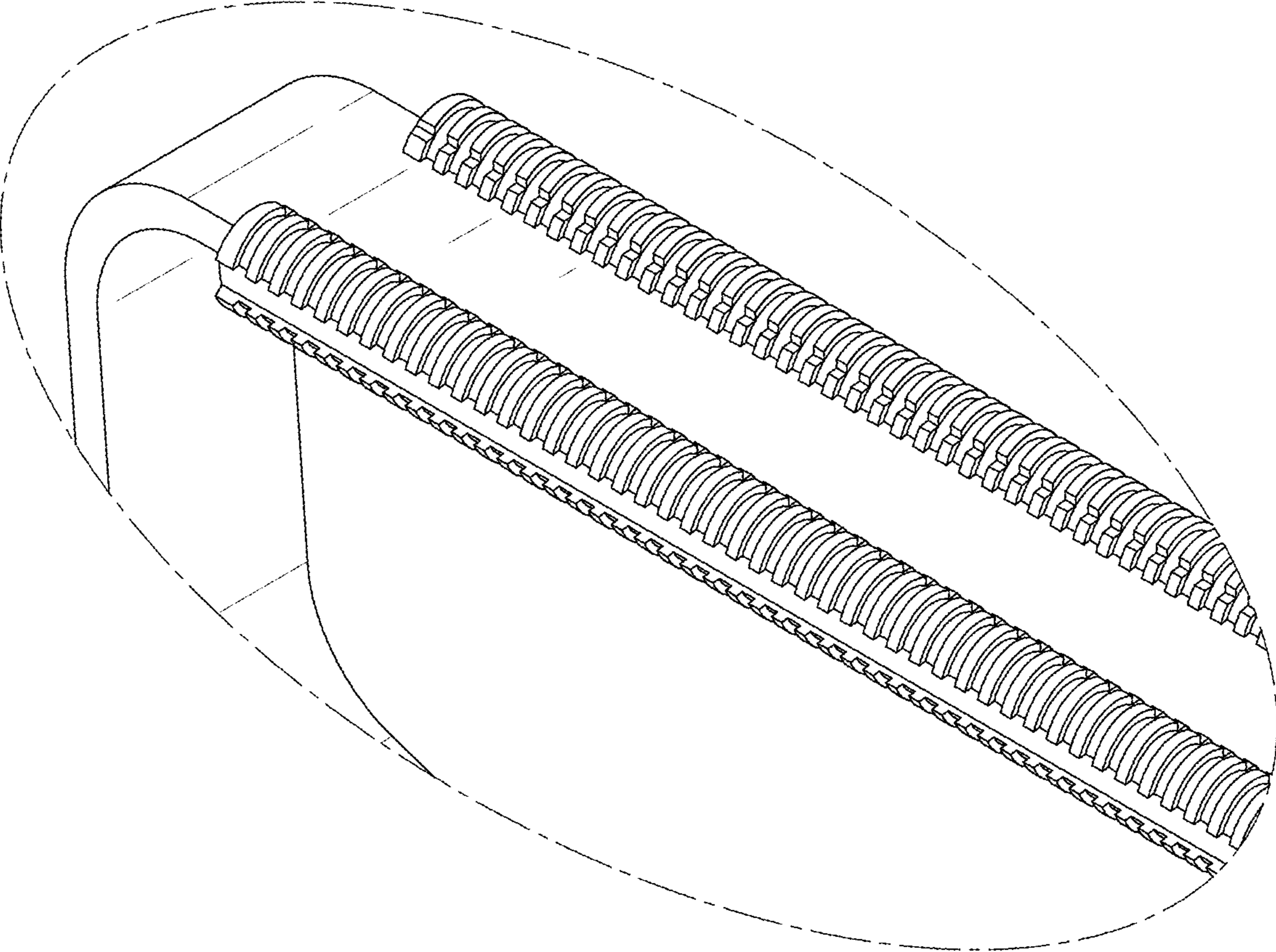


FIG. 9