



US00D889850S

(12) **United States Design Patent**  
**Rybacek**

(10) **Patent No.:** **US D889,850 S**  
(45) **Date of Patent:** **\*\* Jul. 14, 2020**

- (54) **BRUSH**
- (71) Applicant: **Paris Presents Incorporated**, Gurnee, IL (US)
- (72) Inventor: **Nicole Rybacek**, Woodstock, IL (US)
- (73) Assignee: **Paris Presents Incorporated**, Gurnee, IL (US)
- (\*\*) Term: **15 Years**

D324,776 S *	3/1992	Griffin .....	401/269
D458,031 S *	6/2002	Park .....	D4/121
D702,046 S *	4/2014	Zmrhal .....	D4/120
D734,949 S *	7/2015	Behnam .....	D4/127
D743,174 S *	11/2015	von Berg .....	D4/102
D744,755 S *	12/2015	Reishus .....	D4/102
D797,461 S *	9/2017	Dandridge .....	D4/127
D810,447 S *	2/2018	Dandridge .....	D4/127
D811,096 S *	2/2018	Dandridge .....	D4/127
D828,034 S *	9/2018	Rybacek .....	D4/102
D829,004 S *	9/2018	Cohen .....	D4/102
D838,489 S *	1/2019	Bruce .....	D4/102

(Continued)

- (21) Appl. No.: **29/662,912**
- (22) Filed: **Sep. 10, 2018**
- (51) **LOC (12) Cl.** ..... **28-03**
- (52) **U.S. Cl.**  
USPC ..... **D4/116; D4/133; D4/100**
- (58) **Field of Classification Search**  
USPC ..... D4/100, 102, 121, 127, 130, 132, 133,  
D4/134, 135, 136, 138, 199; D28/7, 63;  
D24/211, 214, 215; D32/35, 40  
CPC ..... A47K 7/043; A61H 7/00; A61H 7/003;  
A46B 9/02; A46B 13/02; A46B  
2200/1006; A46B 2200/102  
See application file for complete search history.

FOREIGN PATENT DOCUMENTS

CN	304083916	*	3/2017
CN	304355707	*	11/2017

*Primary Examiner* — Karen E Eldridge Powers

(57) **CLAIM**

The ornamental design for a brush, as shown and described.

**DESCRIPTION**

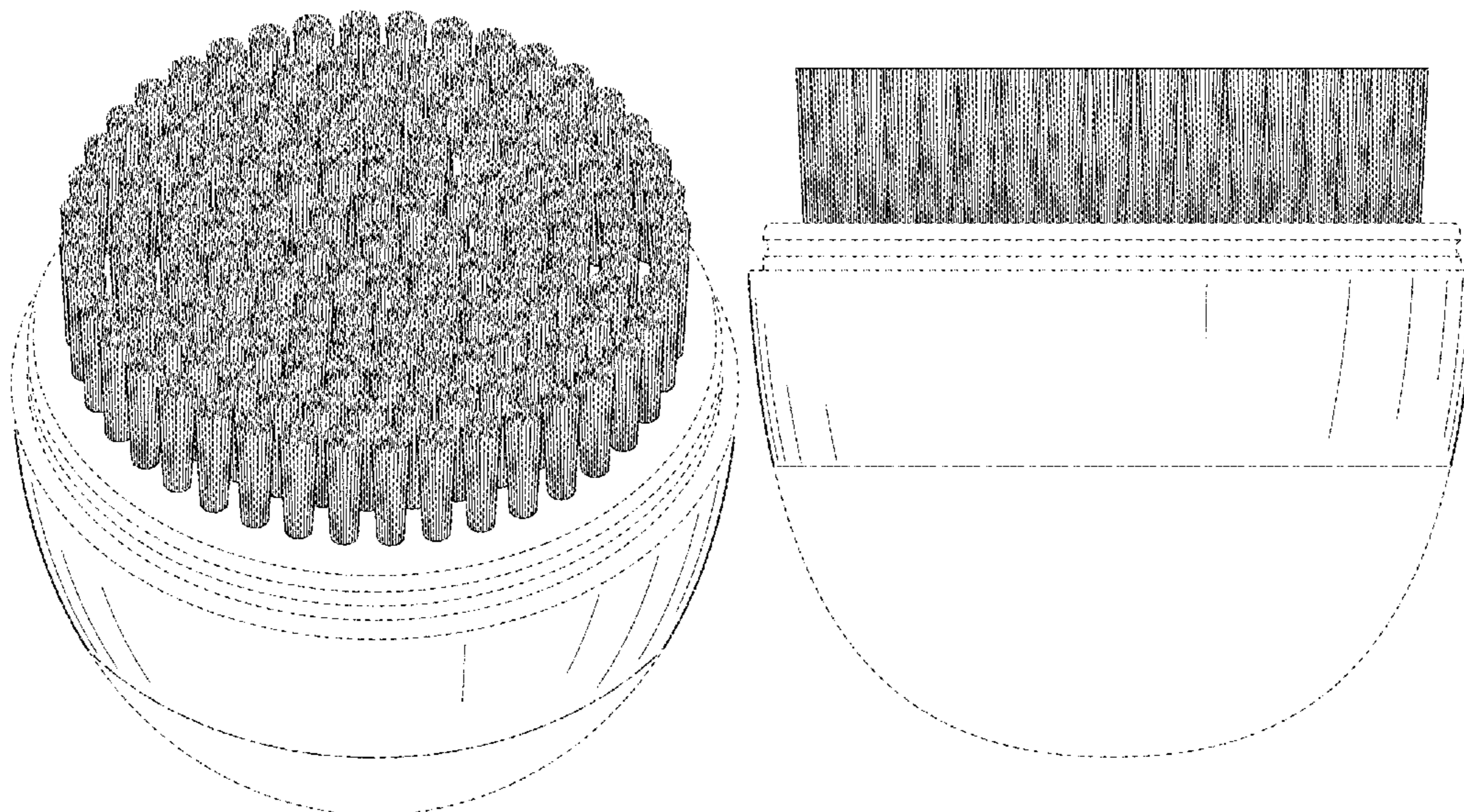
FIG. 1 is an isometric view of a top and side of an ornamental design for a brush;  
 FIG. 2 is a side elevational view of the brush of FIG. 1, the other sides being identical thereto;  
 FIG. 3 is a top plan view of the brush of FIG. 1;  
 FIG. 4 is a bottom plan view of the brush of FIG. 1;  
 FIG. 5 is an isometric view of a top and side of another ornamental design for a brush;  
 FIG. 6 is a side elevational view of the brush of FIG. 5, the other sides being identical thereto;  
 FIG. 7 is a top plan view of the brush of FIG. 5; and,  
 FIG. 8 is a bottom plan view of the brush of FIG. 5.  
 The dash-dash-dash-dash lines are for the purpose of illustrating environmental structure and form no part of the claimed design. The dash-dot-dash lines form no part of the claimed design and represent a boundary line.

(56) **References Cited**

U.S. PATENT DOCUMENTS

2,006,234 A *	6/1935	Cosby .....	A46B 5/00 15/143.1
2,090,050 A *	8/1937	Jackson .....	A61H 7/003 601/154
3,597,097 A *	8/1971	Kellis .....	A46B 11/0041 401/6
3,597,098 A *	8/1971	Kellis .....	A46B 11/0041 401/6
D226,941 S *	5/1973	Benty .....	D4/102
D295,342 S *	4/1988	van Asten .....	D4/102
D303,761 S *	10/1989	Desgrippes .....	D9/719
D307,216 S *	4/1990	Yuen .....	D32/14.1

**1 Claim, 6 Drawing Sheets**



(56)

**References Cited**

U.S. PATENT DOCUMENTS

D853,124 S \* 7/2019 Liu ..... D4/102  
D864,577 S \* 10/2019 Keast ..... D4/102  
D866,165 S \* 11/2019 Luo ..... D3/205  
D876,842 S \* 3/2020 Tschopp ..... D4/127  
2020/0037747 A1 \* 2/2020 Khormaei ..... A47K 7/043

\* cited by examiner

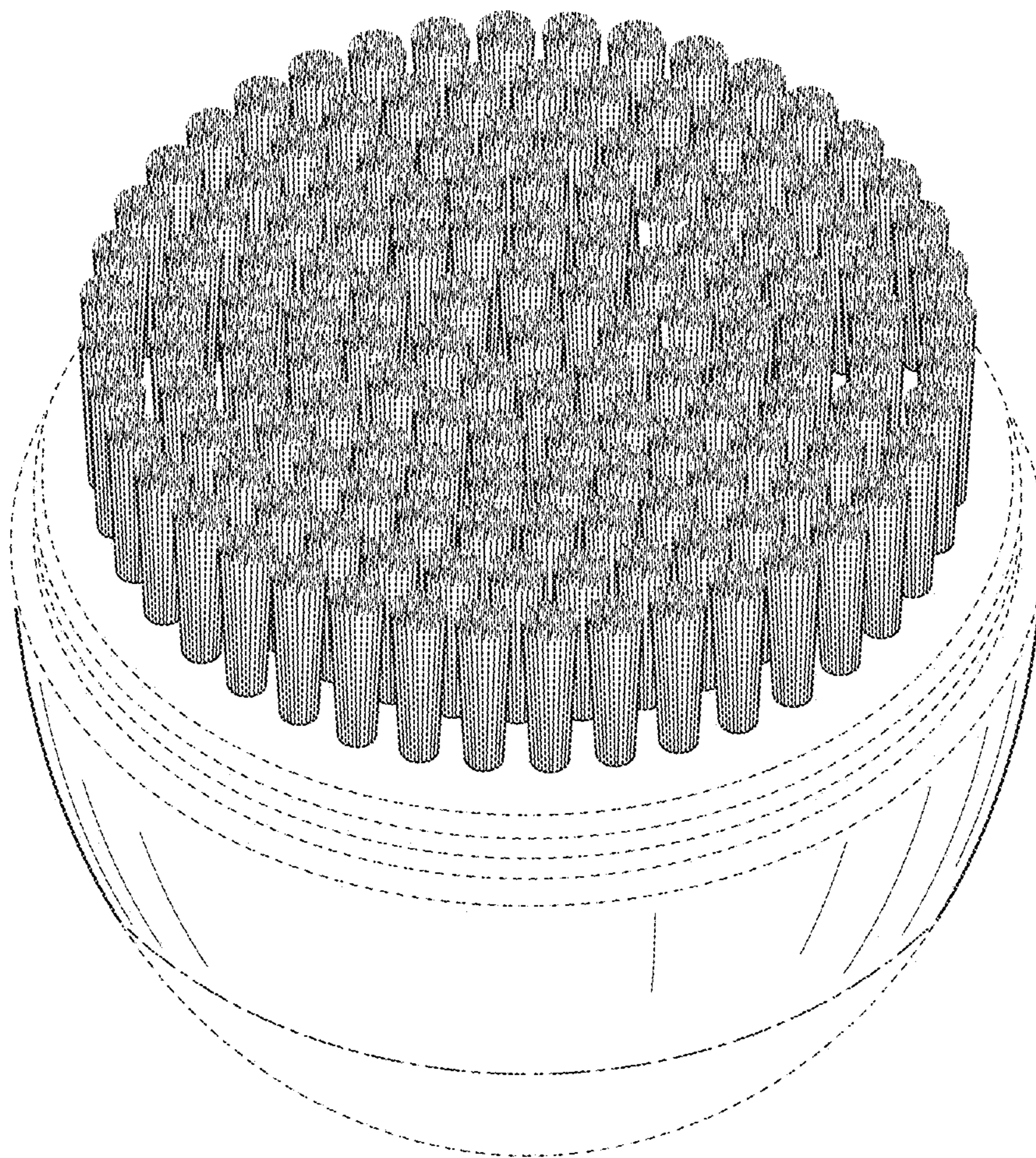


FIG. 1

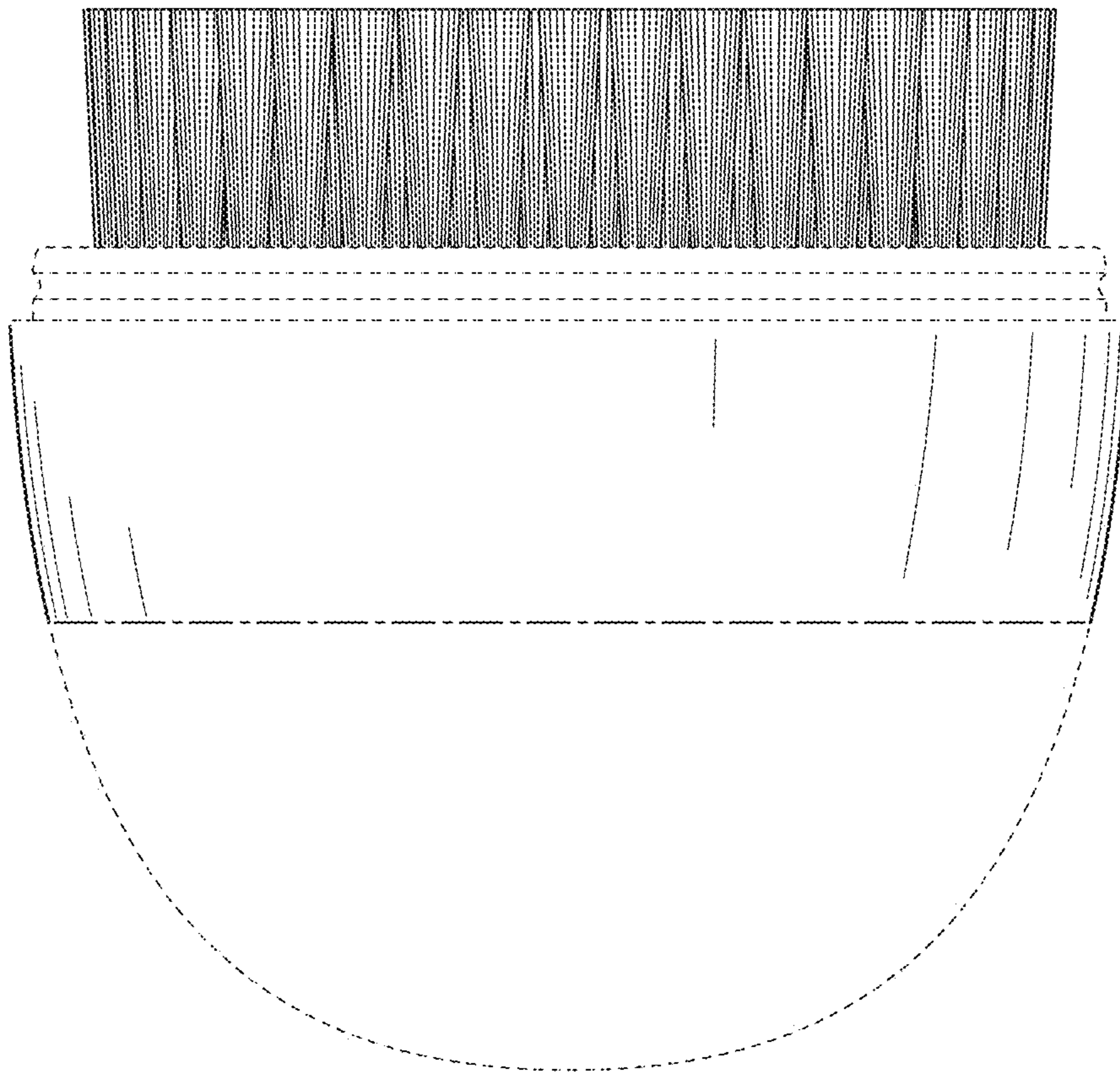
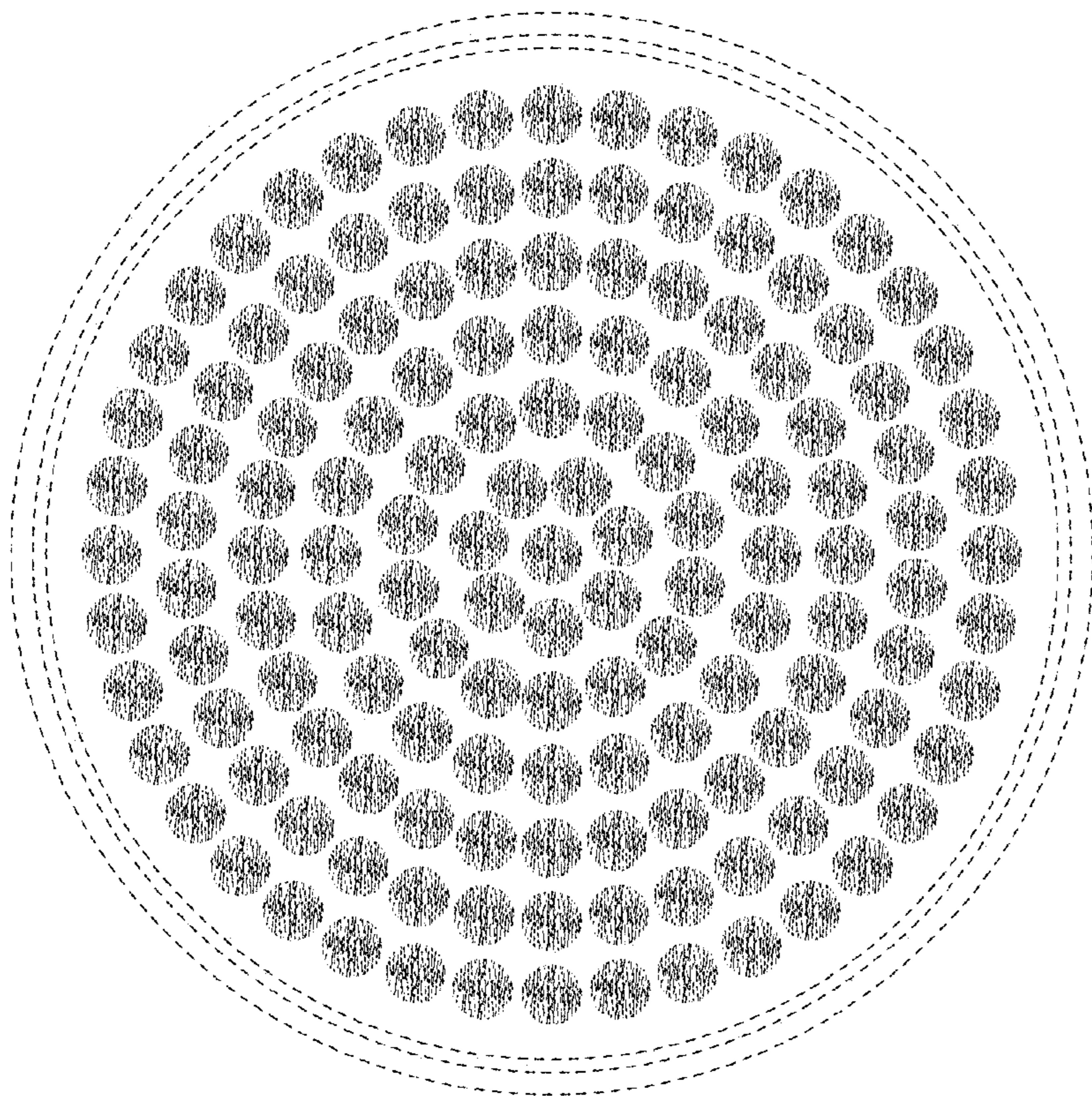
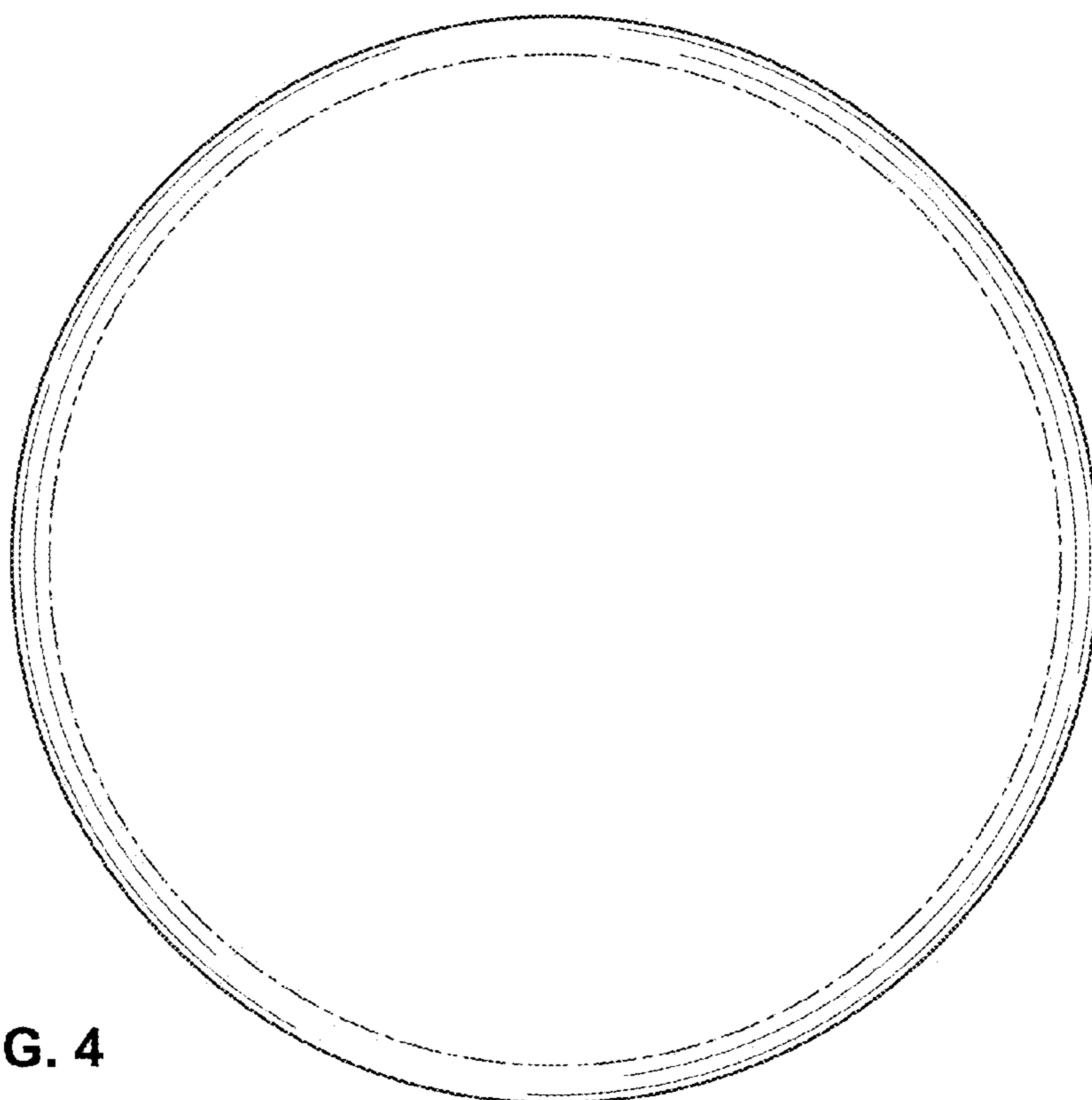


FIG. 2



**FIG. 3**



**FIG. 4**

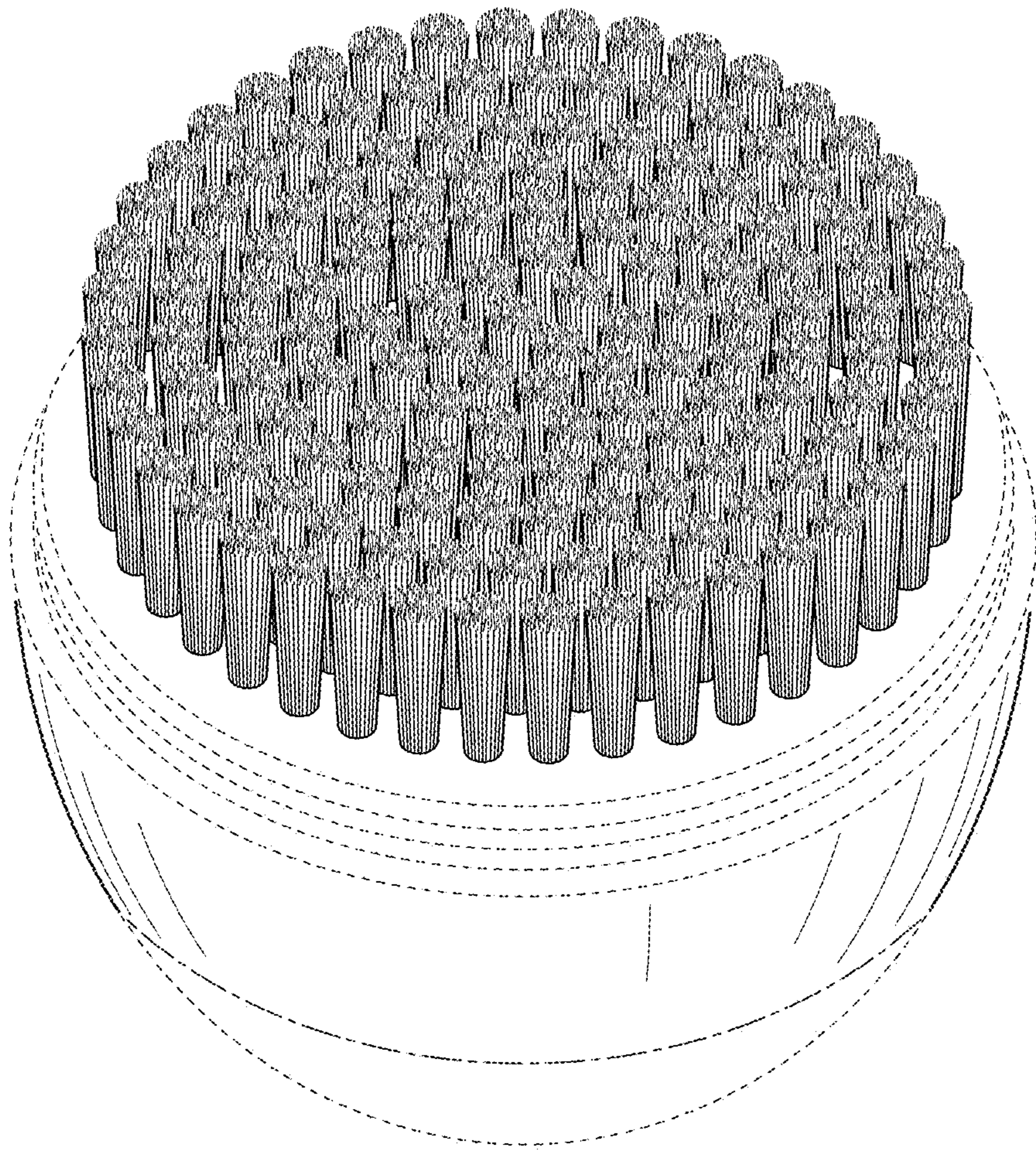


FIG. 5

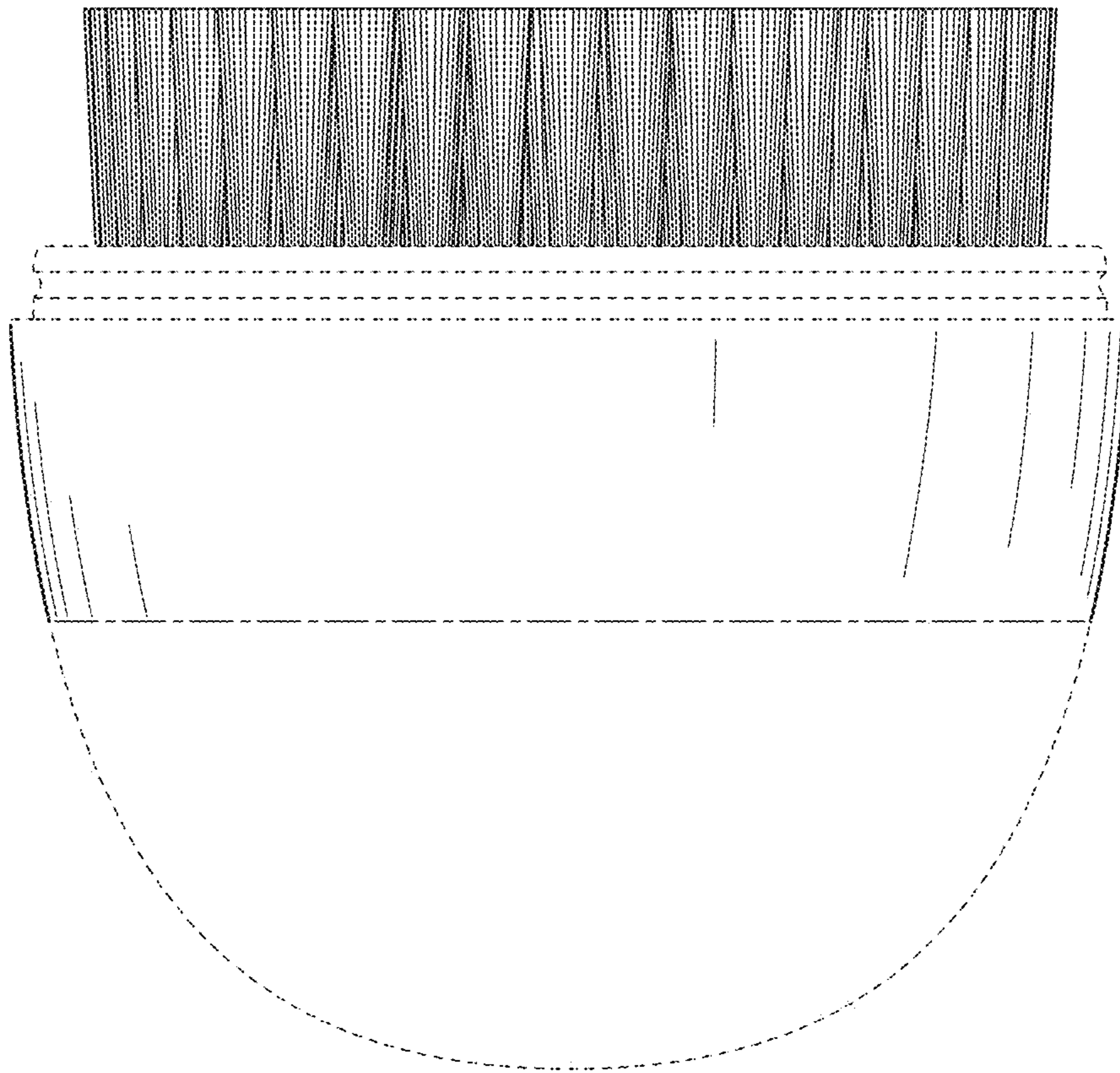


FIG. 6

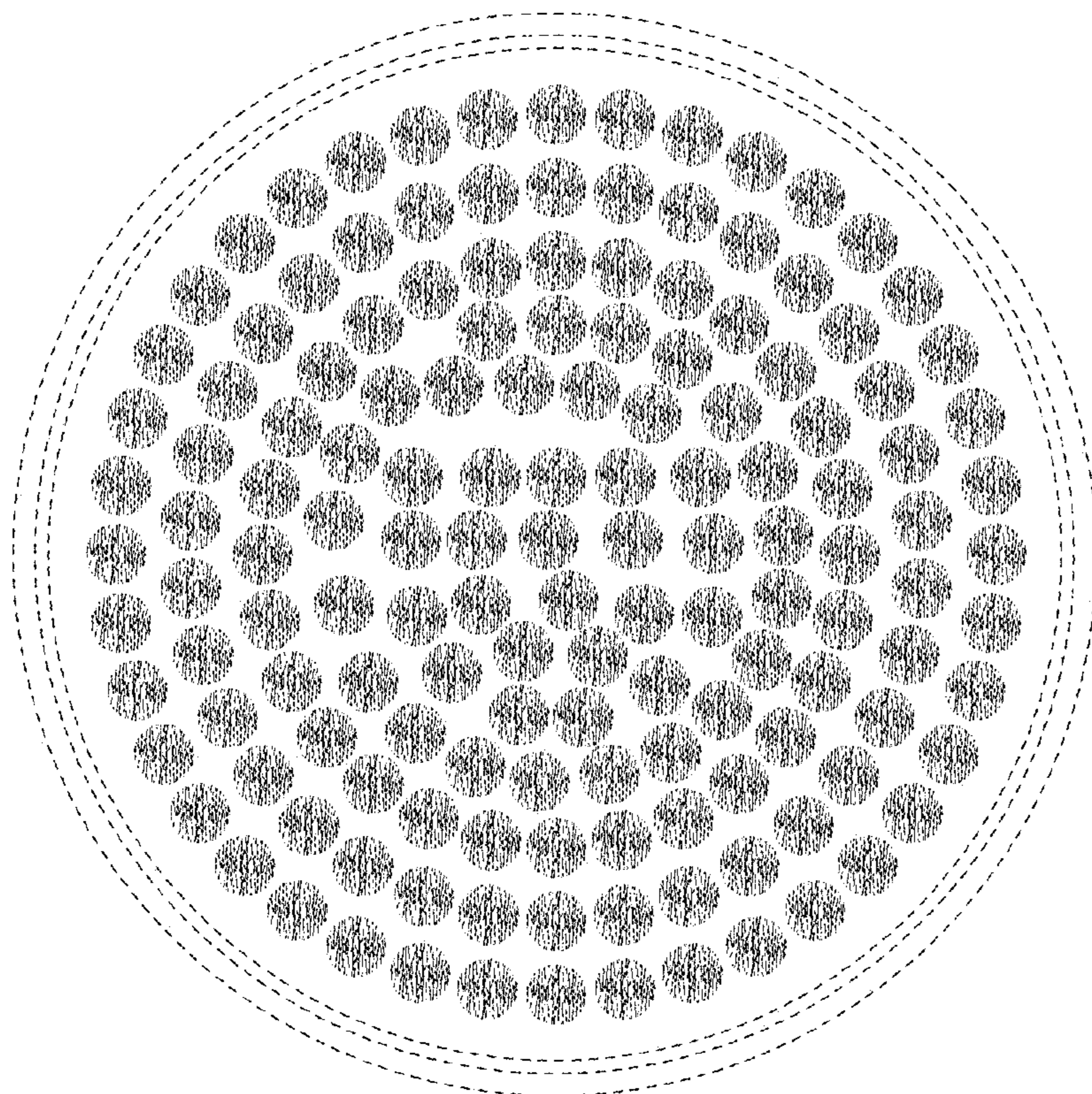


FIG. 7

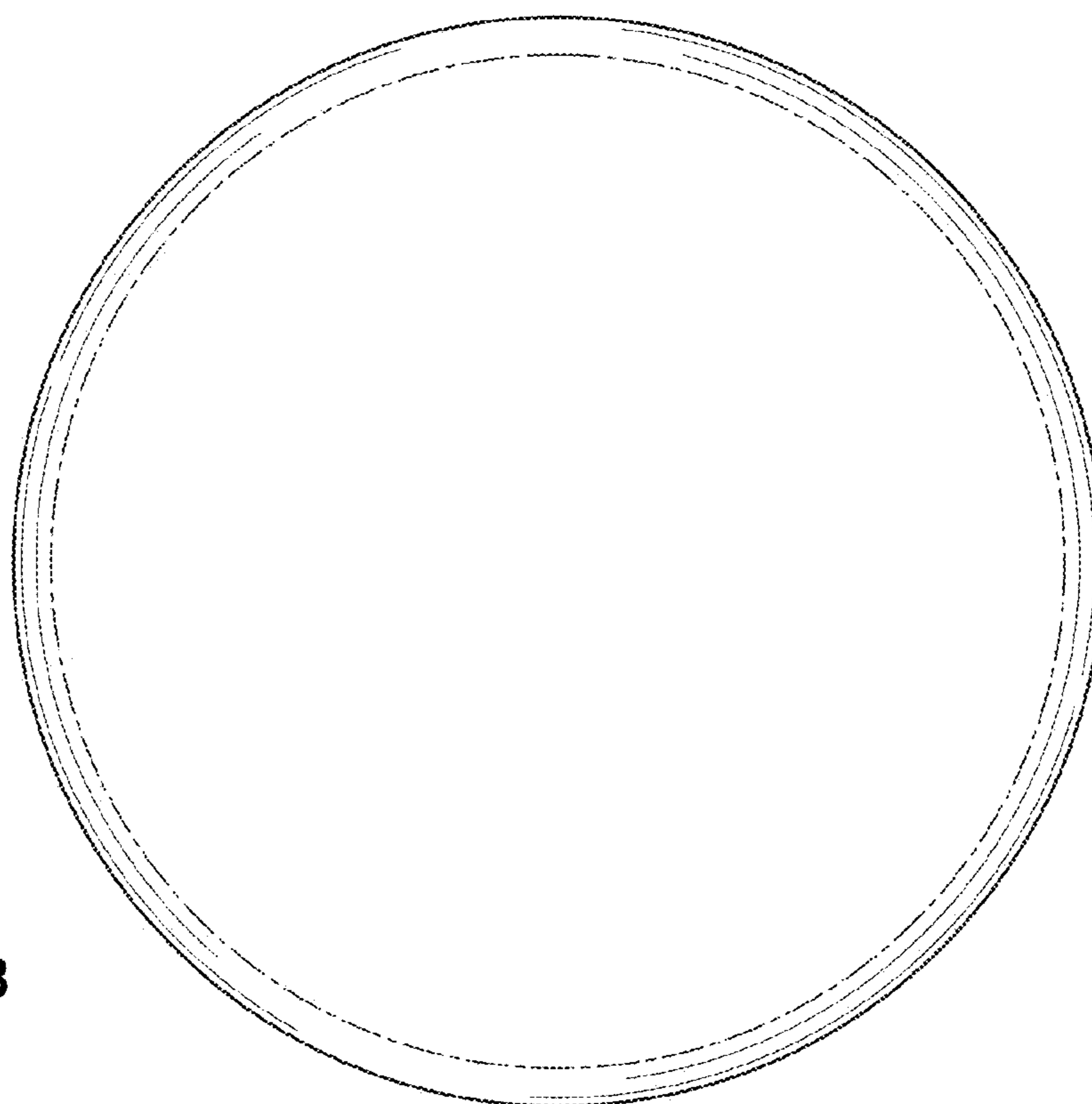


FIG. 8