



US00D889849S

(12) **United States Design Patent** (10) **Patent No.:** **US D889,849 S**
Kudo (45) **Date of Patent:** **** Jul. 14, 2020**

(54) **COSMETIC APPLICATOR**

D536,823 S * 2/2007 Colacioppo D28/7
D554,799 S * 11/2007 Sheppard D28/7
7,455,467 B2 * 11/2008 Sasaki A45D 40/04
401/68

(71) Applicant: **TOKIWA CORPORATION**,
Nakatsugawa (JP)

(Continued)

(72) Inventor: **Saori Kudo**, Kawaguchi (JP)

Primary Examiner — Rhea Shields

(73) Assignee: **TOKIWA CORPORATION**,
Kawaguchi-Shi, Saitama (JP)

(74) *Attorney, Agent, or Firm* — Leydig, Voit & Mayer,
Ltd.

(**) Term: **15 Years**

(57) **CLAIM**

(21) Appl. No.: **35/506,952**

The ornamental design for a cosmetic applicator, as shown
and described.

(22) Filed: **Nov. 20, 2018**

(80) **Hague Agreement Data**

DESCRIPTION

Int. Filing Date: **Nov. 20, 2018**

Int. Reg. No.: **DM/201489**

Int. Reg. Date: **Nov. 20, 2018**

Int. Reg. Pub. Date: **Jun. 21, 2019**

(30) **Foreign Application Priority Data**

Jun. 26, 2018 (JP) 2018-014095

Jun. 26, 2018 (JP) 2018-014096

(51) **LOC (12) Cl.** **04-01**

(52) **U.S. Cl.**
USPC **D4/114**

(58) **Field of Classification Search**

USPC D4/114, 101, 136, 135; D30/159;
D20/11; D9/723; D28/7, 20, 76

CPC B43K 21/003; B43K 24/163; A45D 24/22;
A45D 40/26; A45D 34/041; A45D
40/205; A45D 34/04; A45D 40/04

See application file for complete search history.

(56) **References Cited**

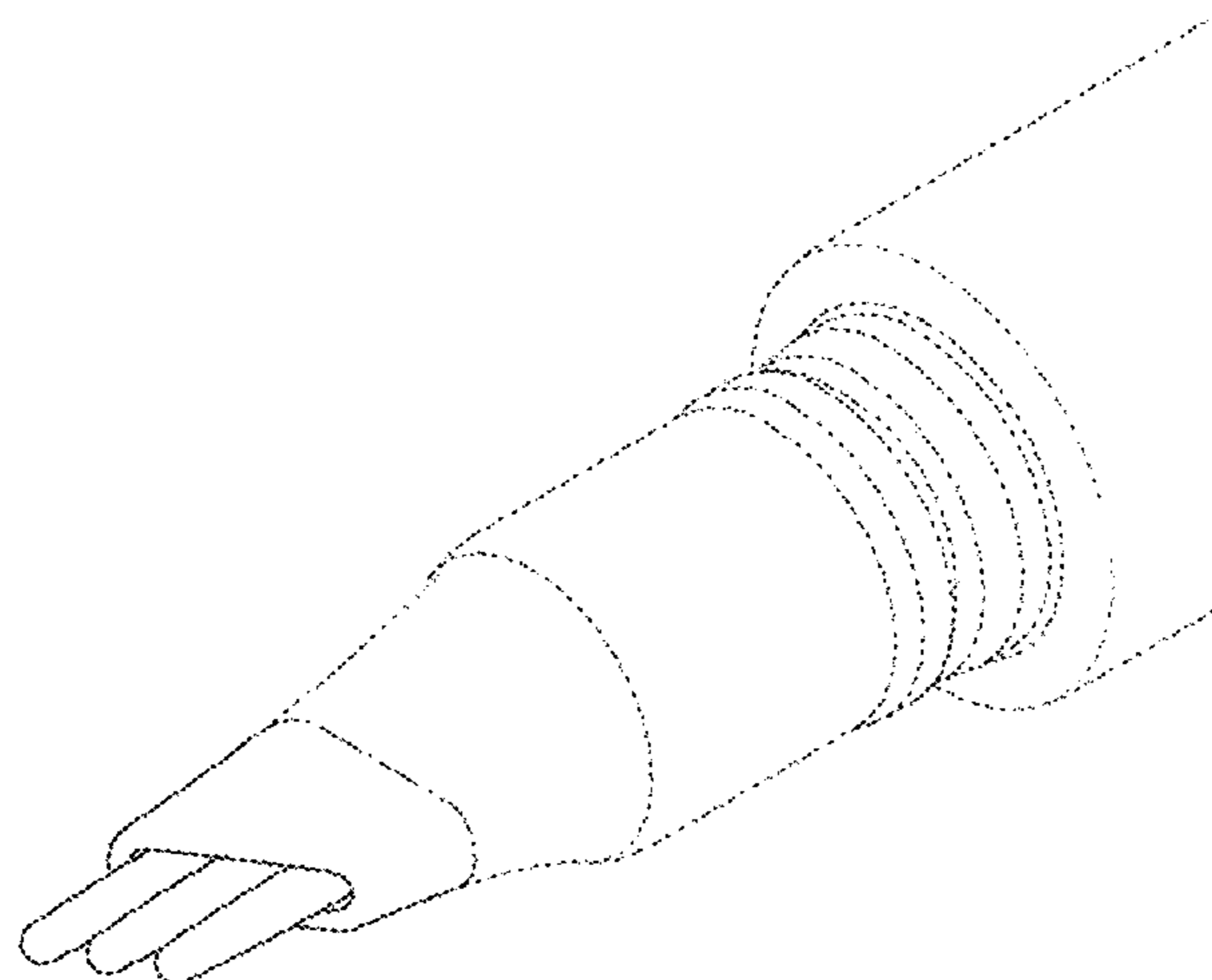
U.S. PATENT DOCUMENTS

D524,546 S * 7/2006 Ajluni D4/114
D531,753 S * 11/2006 Davis D28/20

1.-2. Cosmetic applicator
1.1 is a top perspective view;
1.2 is a front view;
1.3 is a back view;
1.4 is a top view;
1.5 is a bottom view;
1.6 is a left view;
1.7 is a right view;
1.8 is a partial enlarged front view;
1.9 is a partial enlarged top view;
1.10 is an enlarged left view; and
1.11 is a partial enlarged perspective view.
2.1 is a top perspective view;
2.2 is a front view;
2.3 is a back view;
2.4 is a top view;
2.5 is a bottom view;
2.6 is a left view;
2.7 is a right view;
2.8 is a partial enlarged front view;
2.9 is a partial enlarged top view;
2.10 is an enlarged left view; and
2.11 is a partial enlarged perspective view.

The articles are cosmetic applicators; the parts shown in
dotted lines do not form part of the claimed designs; the

(Continued)



broken lines having alternating long and short segments define bounds of the claimed designs and form no part thereof.

1 Claim, 22 Drawing Sheets

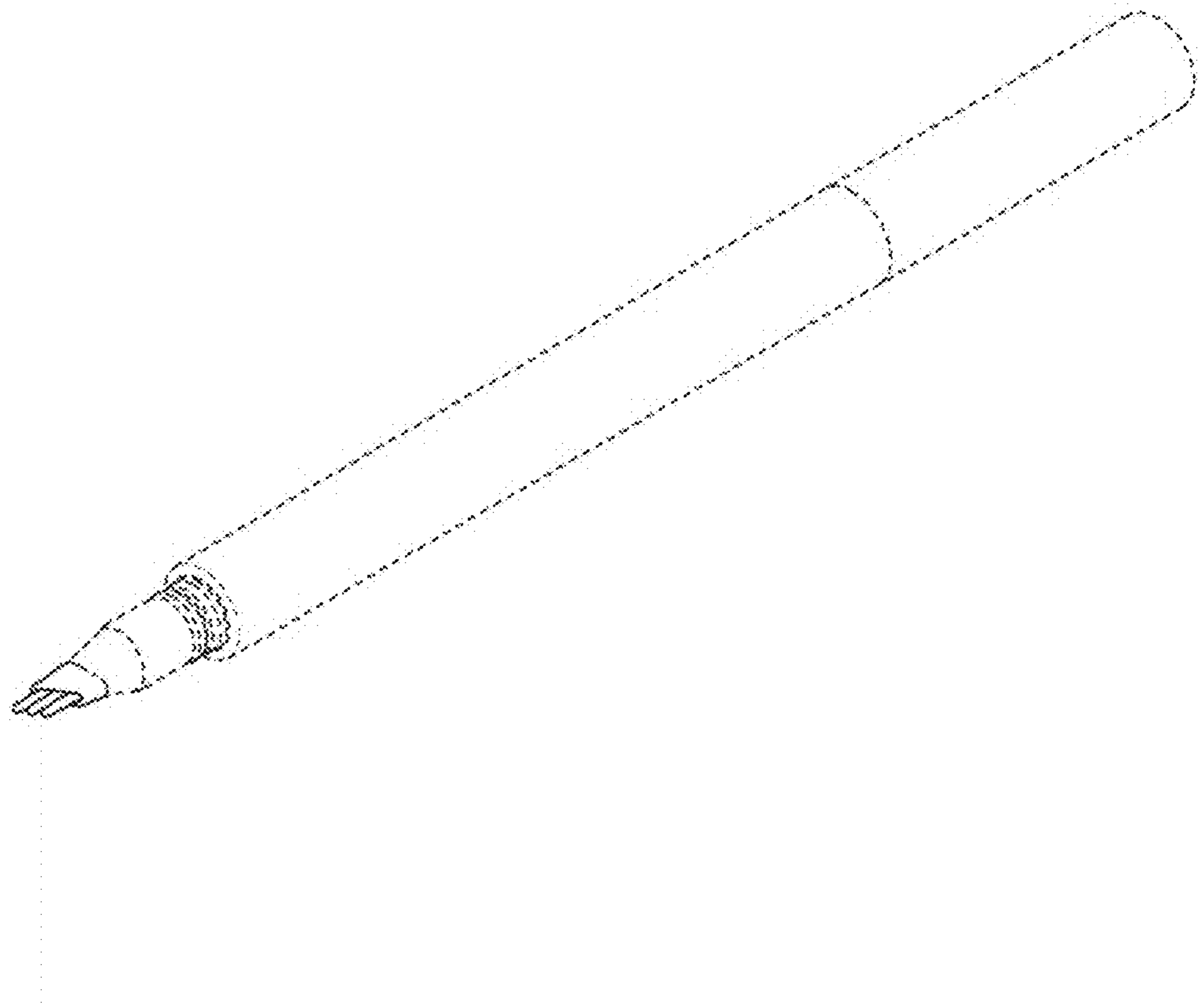
(56) **References Cited**

U.S. PATENT DOCUMENTS

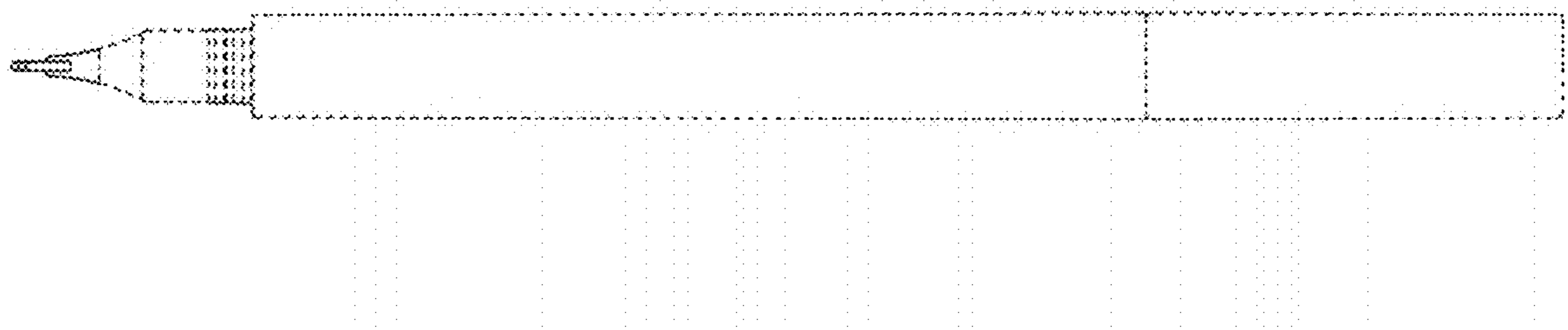
D591,512	S *	5/2009	Mongeon	D28/7
D619,373	S *	7/2010	Tani	D4/114
D693,059	S *	11/2013	Tani	D28/7
D699,903	S *	2/2014	Singer	D30/159
D736,102	S *	8/2015	Tsai	D9/723
D739,603	S *	9/2015	Monaco	D20/11
D746,513	S *	12/2015	Monical	D28/7
9,314,087	B2 *	4/2016	Ishida	A45D 34/04
D764,180	S *	8/2016	Treeby	D4/136
9,603,435	B2 *	3/2017	Ishida	A45D 40/205
D784,027	S *	4/2017	Bennett	D4/136
9,738,113	B2 *	8/2017	Tani	B43K 24/163
9,861,175	B2 *	1/2018	Tanaka	A45D 34/041
D816,897	S *	5/2018	Corsi	D28/7
D822,899	S *	7/2018	Corsi	D28/7
10,239,343	B2 *	3/2019	Tani	B43K 21/003
D859,744	S *	9/2019	Kudo	D28/76
D860,655	S *	9/2019	Treeby	D4/136
D866,191	S *	11/2019	Dawson	D4/135
D869,854	S *	12/2019	Papazian	D4/101
D873,482	S *	1/2020	Kudo	D28/7
2010/0224213	A1 *	9/2010	Kudo	A45D 40/26 132/320
2012/0034015	A1 *	2/2012	Kudo	A45D 24/22 401/143

* cited by examiner

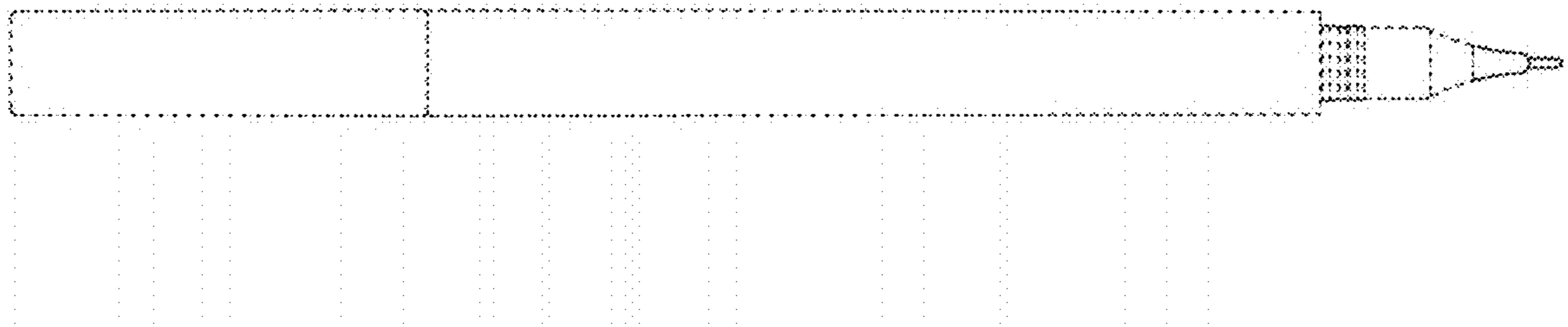
1.1



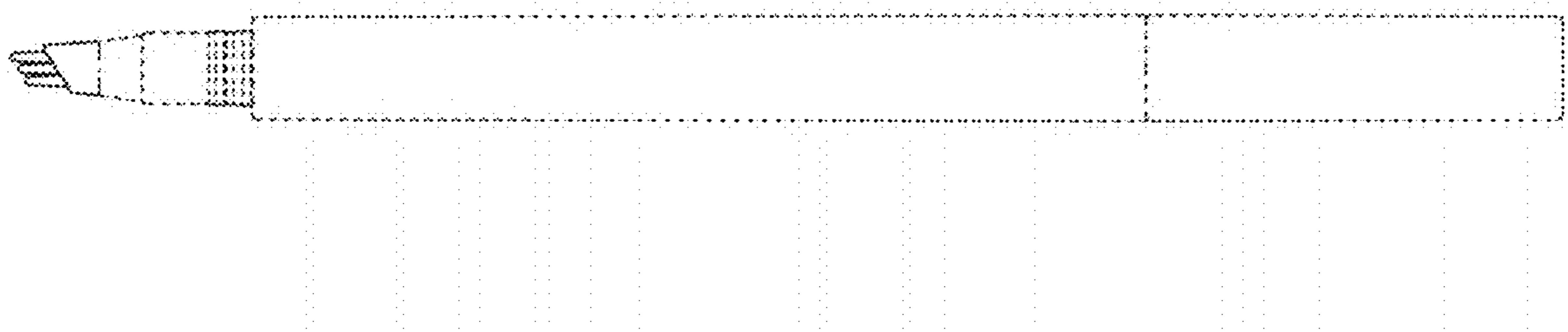
1.2



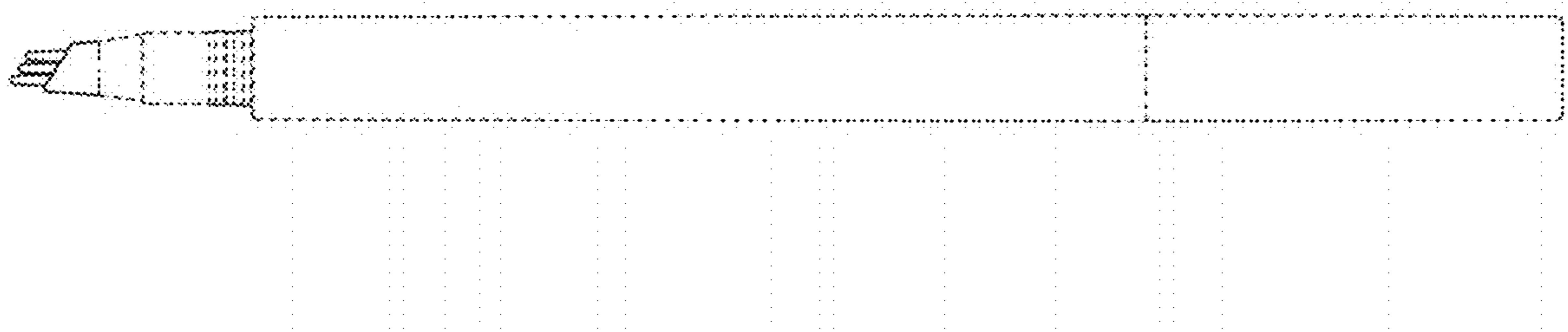
1.3



1.4



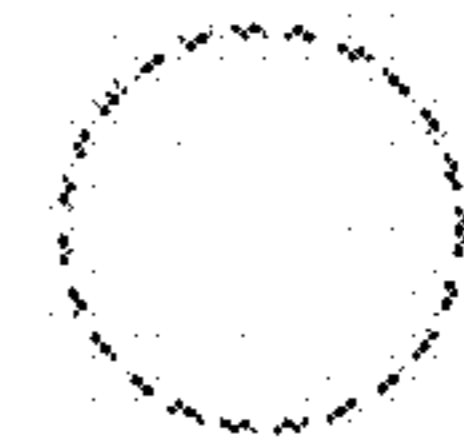
1.5



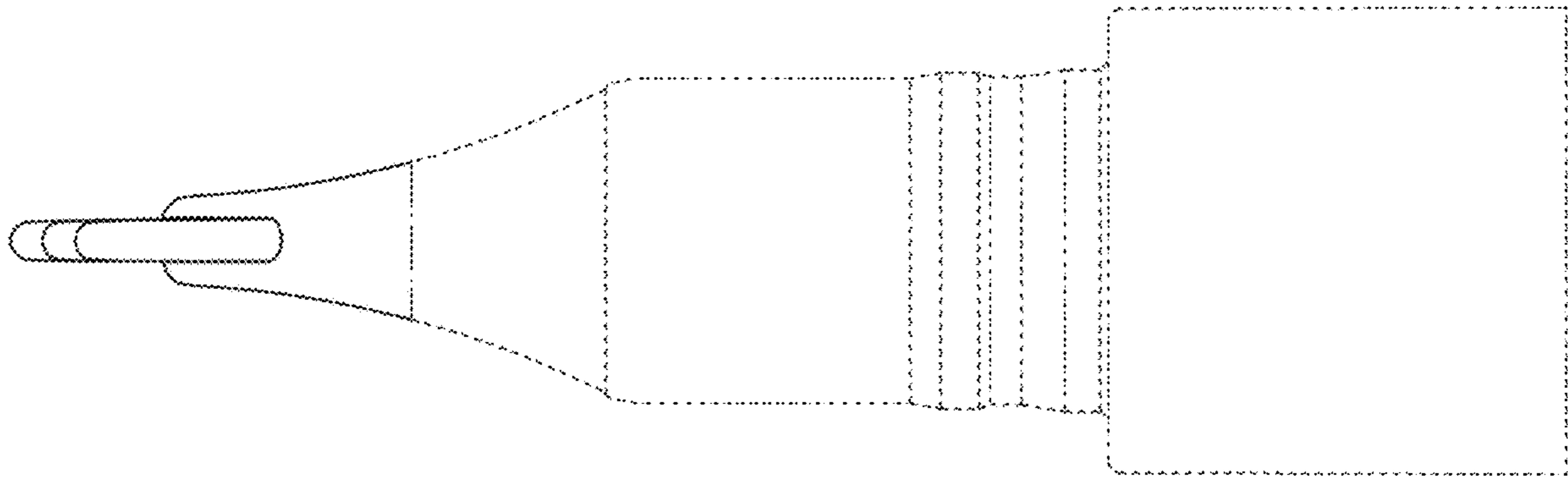
1.6



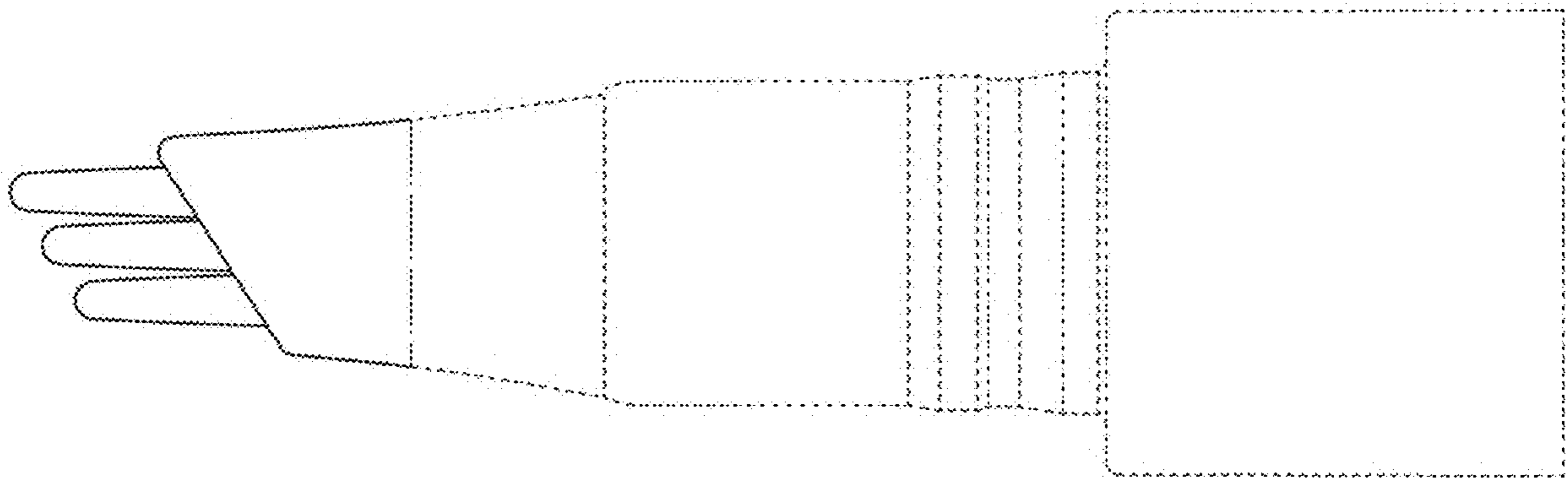
1.7



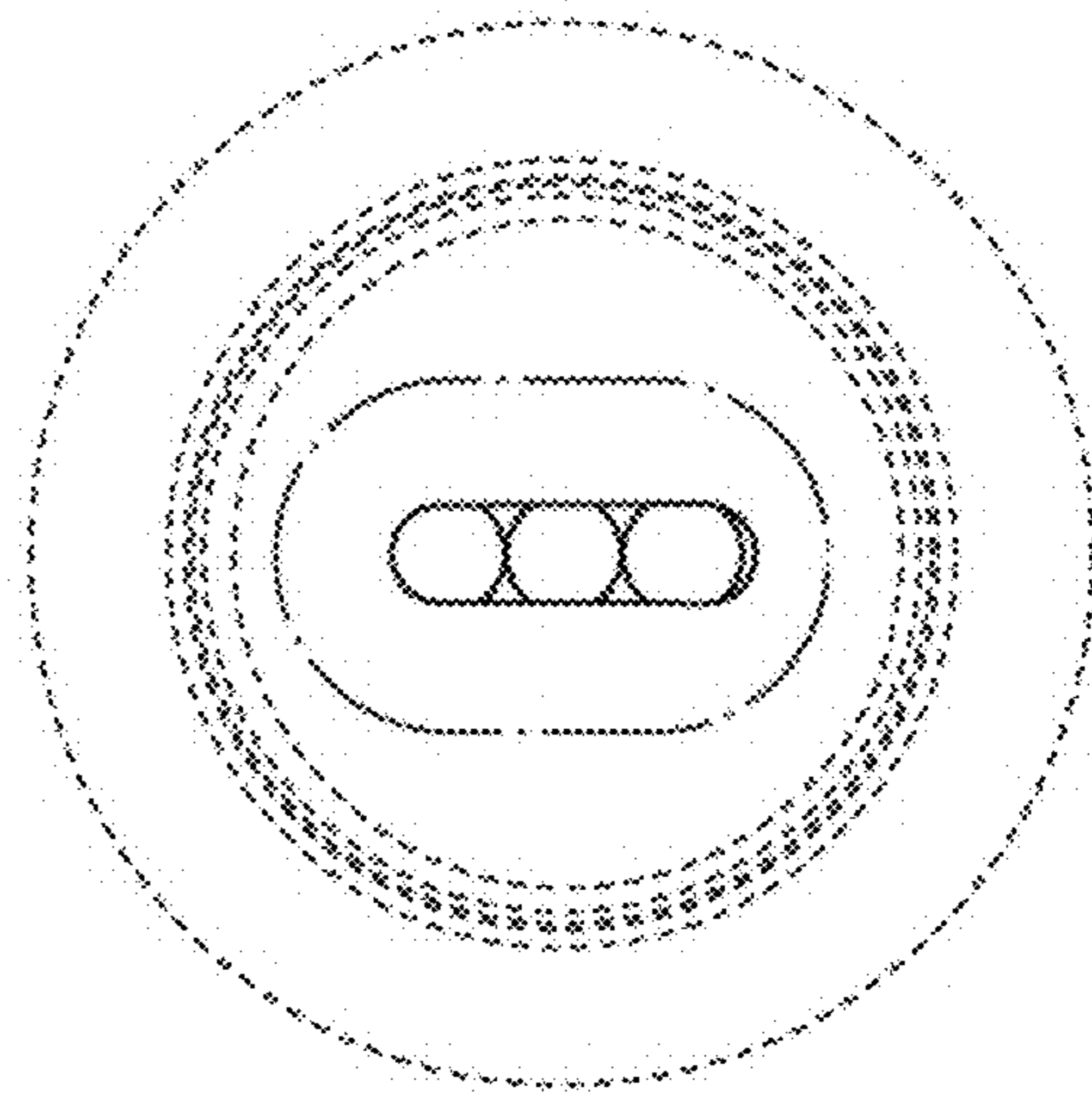
1.8



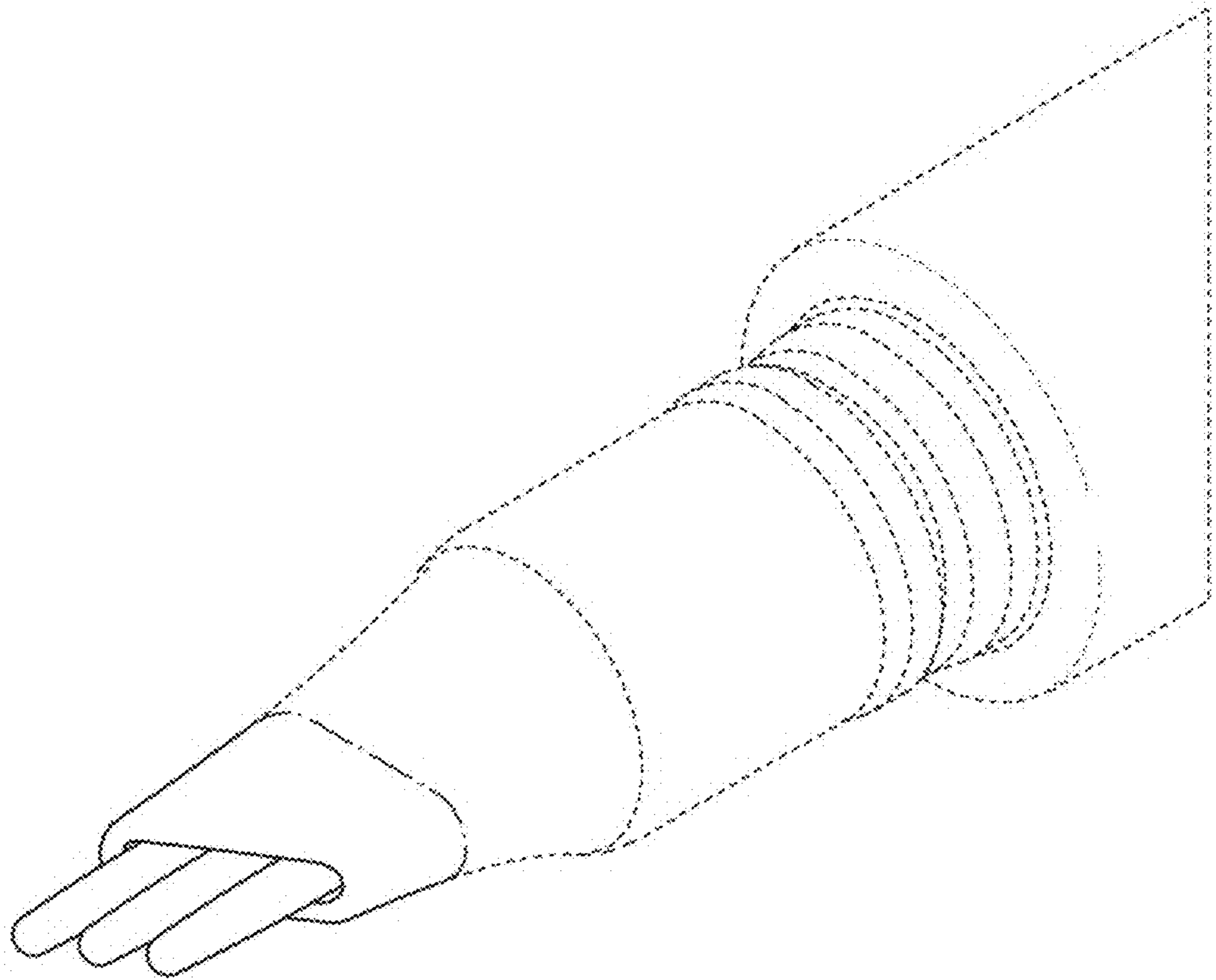
1.9



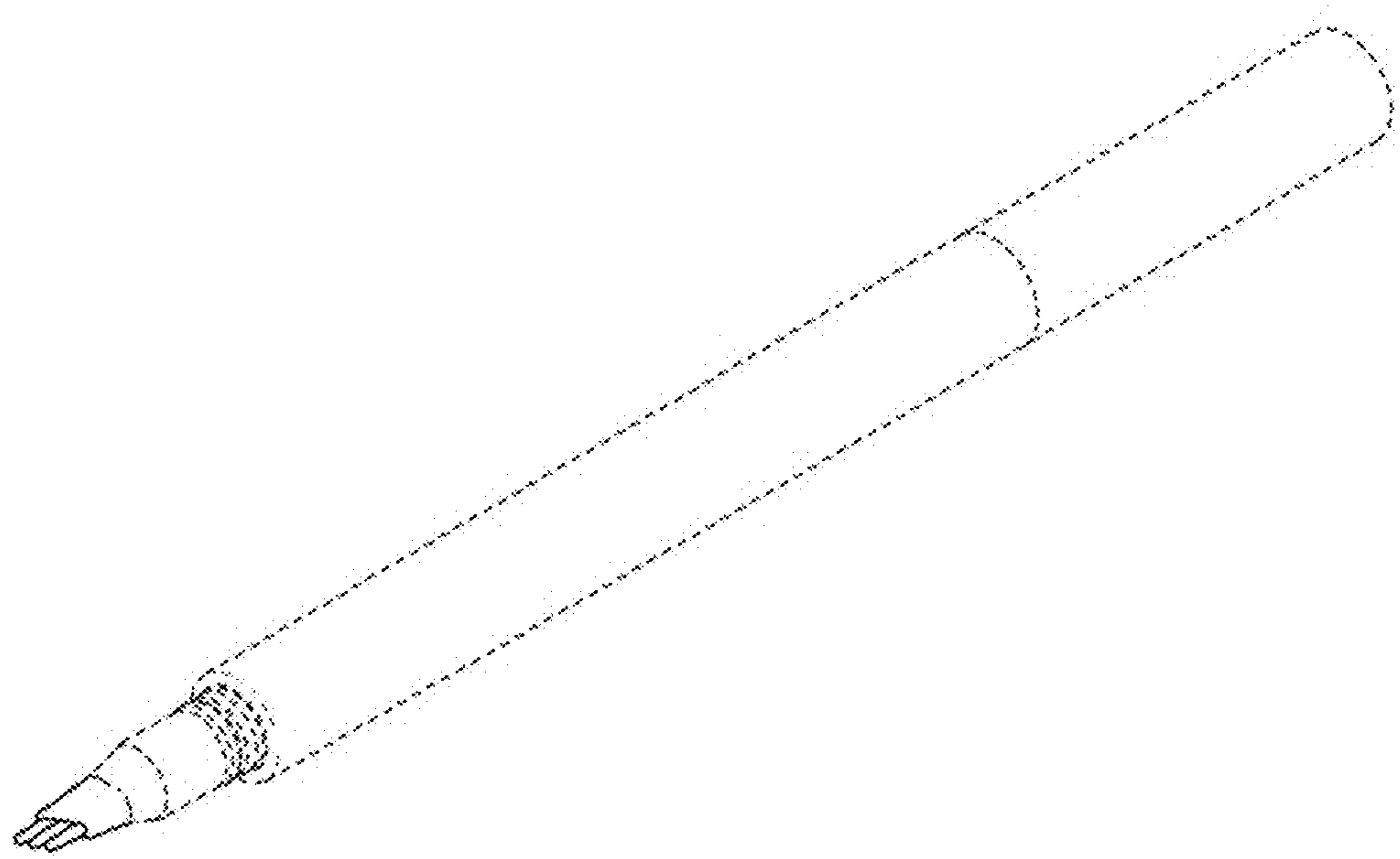
1.10



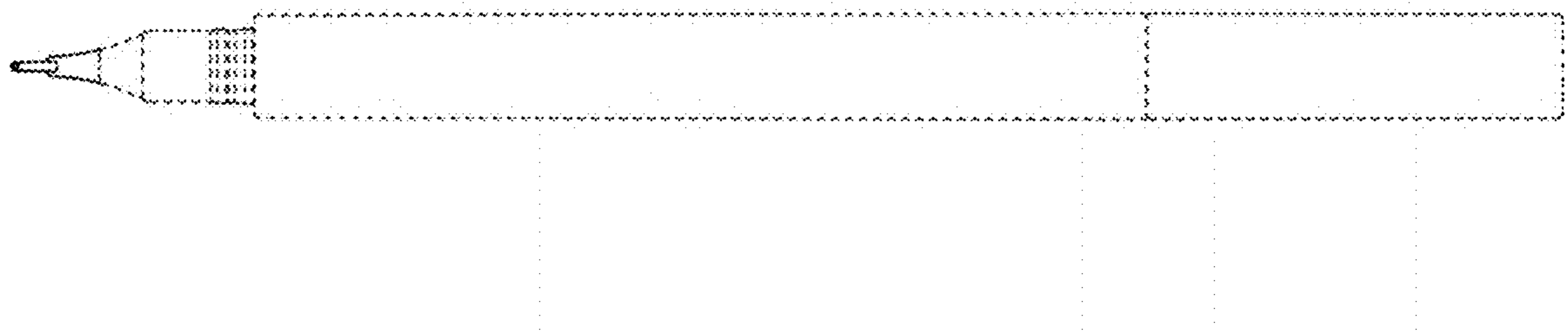
1.11



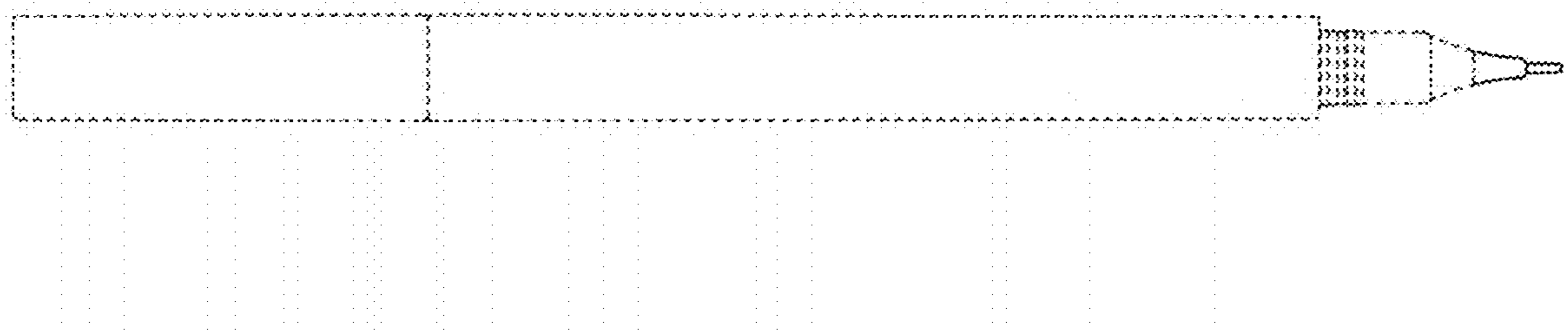
2.1



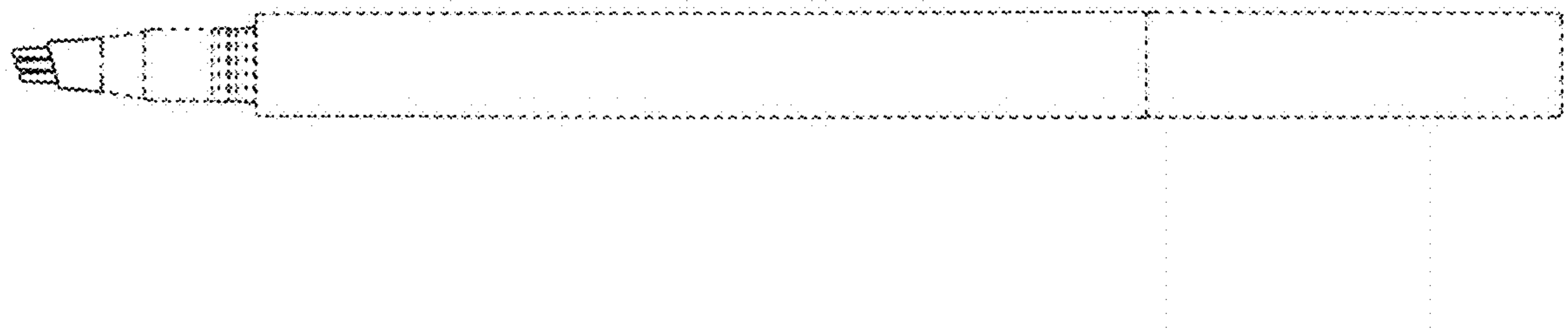
2.2



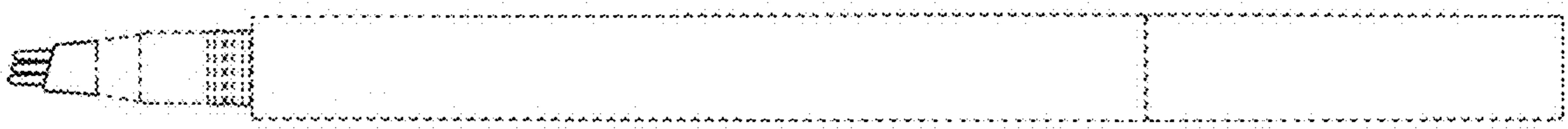
2.3



2.4



2.5



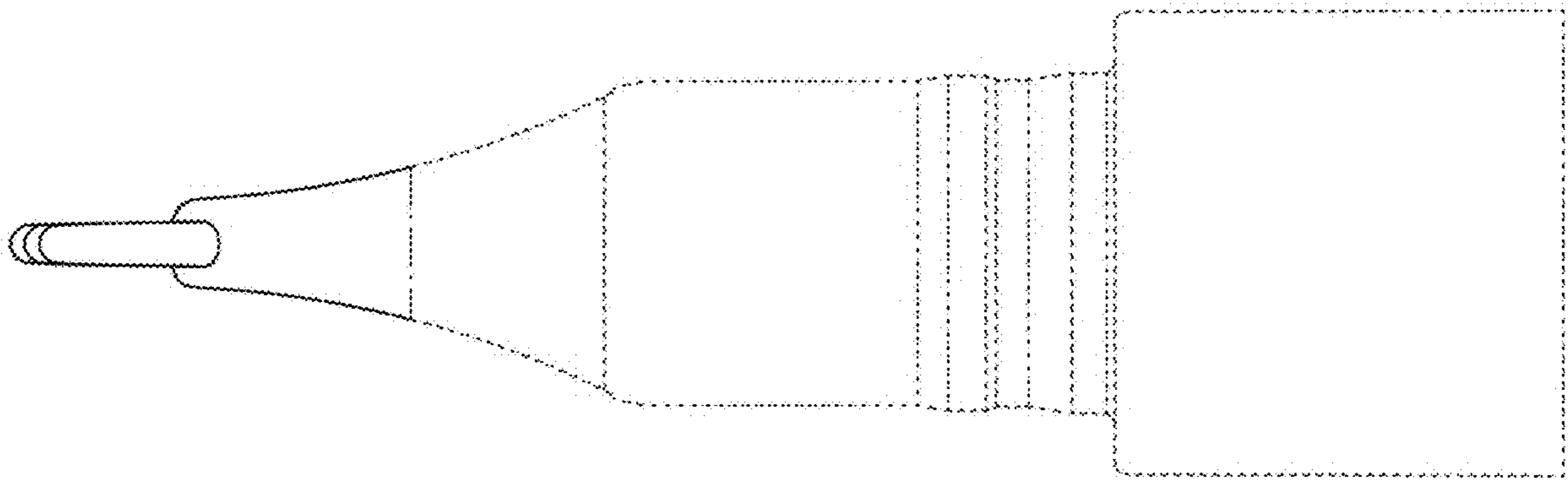
2.6



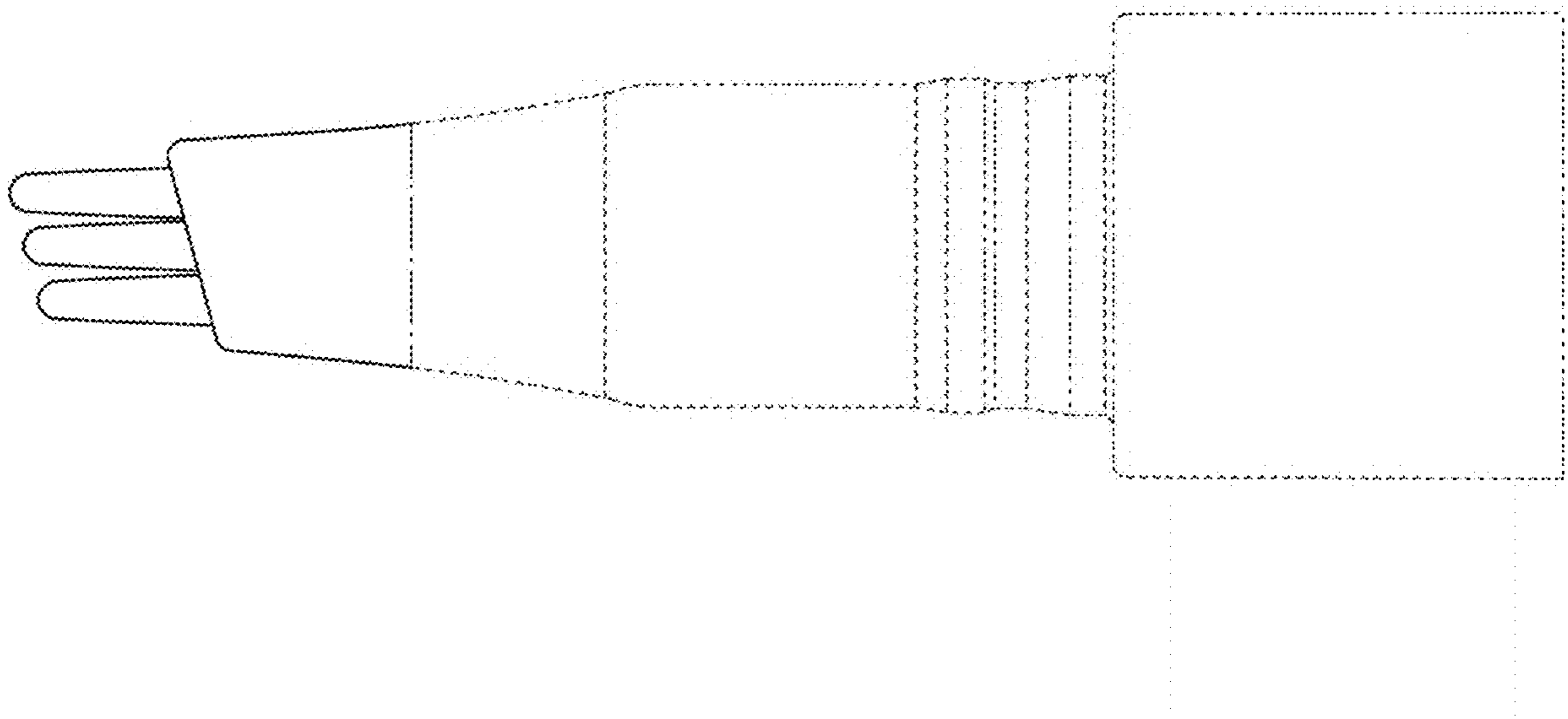
2.7



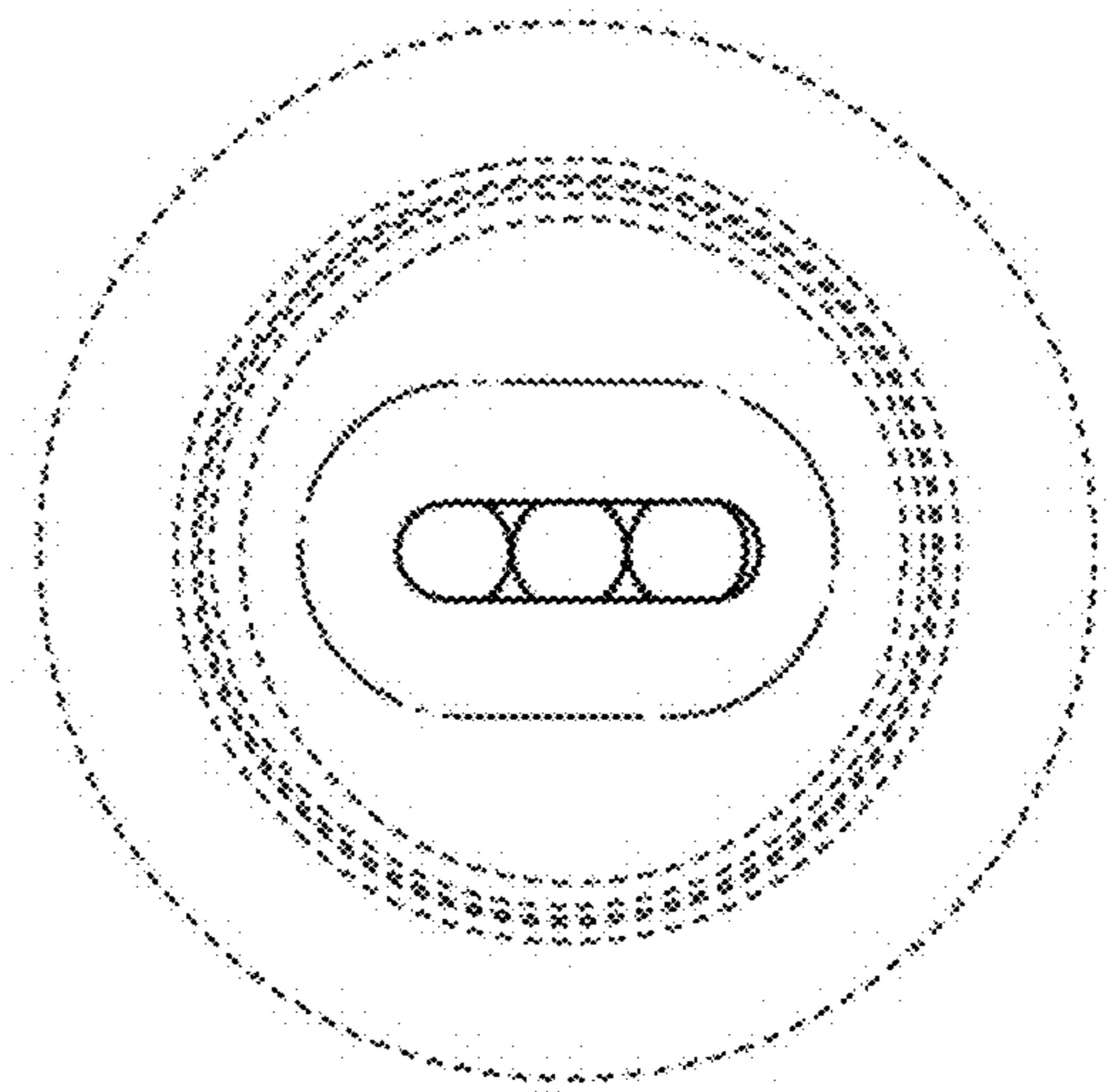
2.8



2.9



2.10



2.11

