



US00D889847S

(12) **United States Design Patent** (10) **Patent No.:** **US D889,847 S**
Guenst et al. (45) **Date of Patent:** **** Jul. 14, 2020**

- (54) **TOOTHBRUSH BODY**
- (71) Applicant: **ToothShower, LLC**, Collegetown, PA (US)
- (72) Inventors: **Lisa Michelle Guenst**, Collegetown, PA (US); **Jeremy Mark Fallis, Jr.**, Lansdale, PA (US); **Marshal Lyndon Chang**, Philadelphia, PA (US)
- (73) Assignee: **Toothshower, LLC**, Collegetown, PA (US)
- (**) Term: **15 Years**
- (21) Appl. No.: **29/675,601**
- (22) Filed: **Jan. 3, 2019**
- (51) **LOC (12) Cl.** **28-03**
- (52) **U.S. Cl.**
USPC **D4/106; D4/115**
- (58) **Field of Classification Search**
USPC D4/100, 101, 102, 104, 105, 106, 107, D4/108, 109, 110, 111, 112, 113, 114; D24/146, 147
CPC A46B 2200/1066; A46B 9/045; A46B 15/008; A46B 15/0081; A46B 5/0012
See application file for complete search history.

- D375,840 S * 11/1996 Ando D4/105
- 5,746,595 A 5/1998 Ford
- D397,873 S * 9/1998 Lecce D4/110
- D400,356 S * 11/1998 Cade, Jr. D4/110
- 6,178,583 B1 * 1/2001 Volpenhein A46B 9/04
15/167.1

(Continued)

OTHER PUBLICATIONS

ToothShower Dual-Headed Toothbrush [on-line]. Retrieved from the Internet Mar. 27, 2020. URL: <https://shop.toothshower.com/products/dual-headed-toothbrush> (Year: 2020).*

Primary Examiner — Karen E Eldridge Powers
(74) *Attorney, Agent, or Firm* — Workman Nydegger

(57) **CLAIM**

The ornamental design for a toothbrush body, as shown and described.

DESCRIPTION

FIG. 1 is a perspective view of a toothbrush body showing the design;
 FIG. 2 is a front elevational view of the toothbrush body of FIG. 1;
 FIG. 3 is a rear elevational view of the toothbrush body of FIG. 1;
 FIG. 4 is a left elevational view of the toothbrush body of FIG. 1;
 FIG. 5 is a right elevational view of the toothbrush body of FIG. 1;
 FIG. 6 is a top plan view of the toothbrush body of FIG. 1; and,
 FIG. 7 is a bottom plan view of the toothbrush body of FIG. 1.

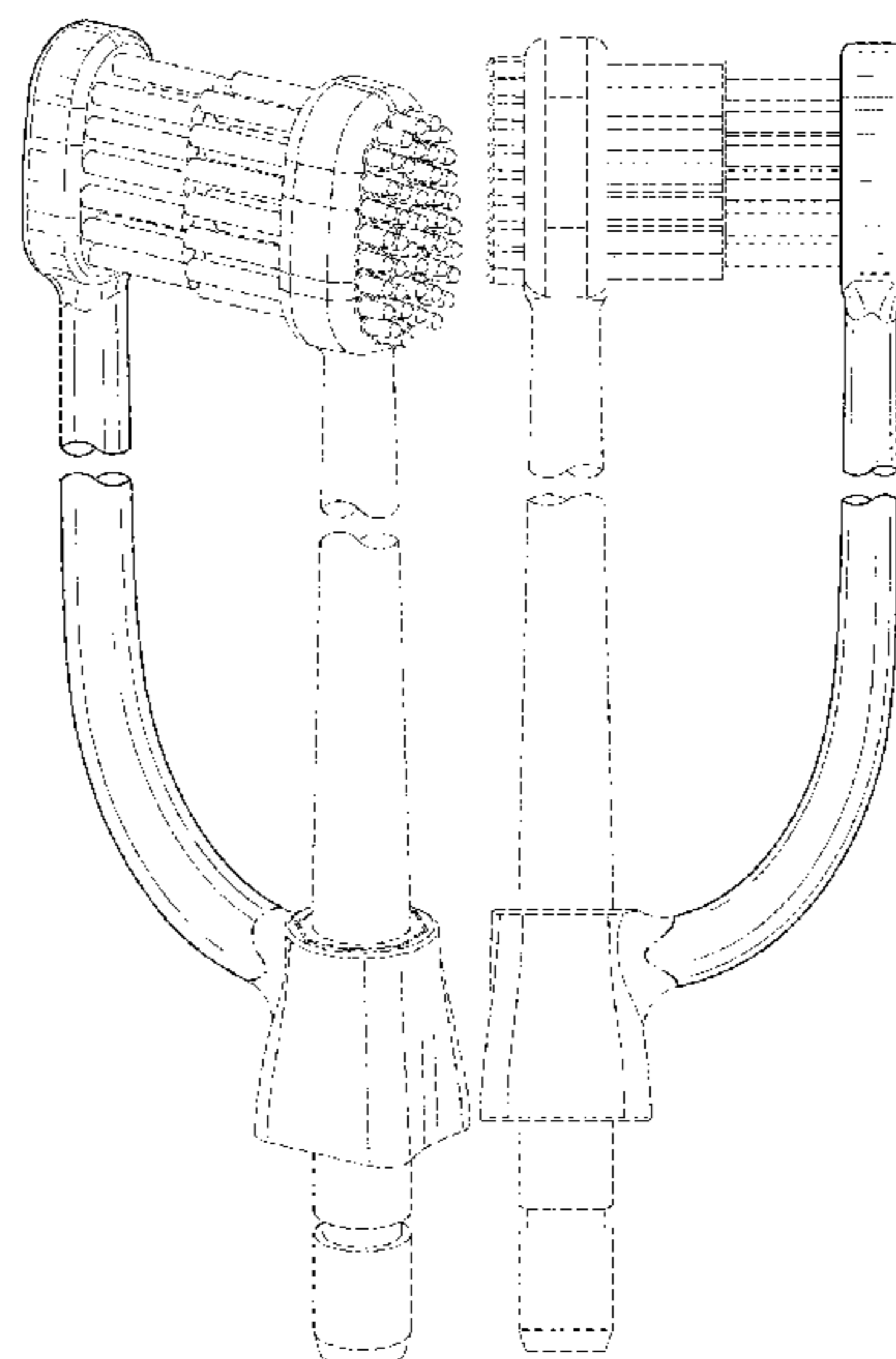
Dash-dash broken lines shown in the drawings illustrate environment and form no part of the claimed design. Dash-dot-dash broken lines shown in the drawings define the boundaries of the claim and form no part thereof.

(56) **References Cited**

U.S. PATENT DOCUMENTS

- D48,666 S * 3/1916 Boccia D4/106
- D151,237 S * 10/1948 Harris D4/112
- 3,953,907 A * 5/1976 Froidevaux A46B 5/0012
15/167.2
- D240,095 S * 6/1976 Sims D4/106
- 4,449,266 A * 5/1984 Northemann A46B 5/00
15/167.2
- 5,062,413 A * 11/1991 Bullard A46B 5/0012
601/140
- 5,360,026 A 11/1994 Klinkhammer
- D370,782 S * 6/1996 Millner D24/146

1 Claim, 4 Drawing Sheets



(56)

References Cited

U.S. PATENT DOCUMENTS

6,203,320	B1	3/2001	Williams	
6,766,549	B2	7/2004	Klupt	
6,902,337	B1	6/2005	Kuo	
D517,814	S *	3/2006	Cade, Jr.	D4/110
7,059,853	B2	6/2006	Hegemann	
7,175,238	B1 *	2/2007	Barman	A46B 9/026 300/21
7,422,598	B2 *	9/2008	Altshuler	A46B 15/0002 607/88
8,801,316	B1	8/2014	Abedini	
D756,122	S *	5/2016	Taylor	A61C 17/0202 D4/108
D795,591	S *	8/2017	DeRicco	D4/104
9,924,789	B2	3/2018	Session	
D814,800	S *	4/2018	Cade, Jr.	D4/110
2009/0226241	A1	9/2009	McEwen	
2012/0034576	A1 *	2/2012	Mostafa	A46B 9/026 433/153
2017/0056147	A1 *	3/2017	Khaef	A61C 17/222
2018/0242727	A1 *	8/2018	Ofek	A46B 15/0071
2019/0298051	A1 *	10/2019	Guenst	A46B 5/0066

* cited by examiner

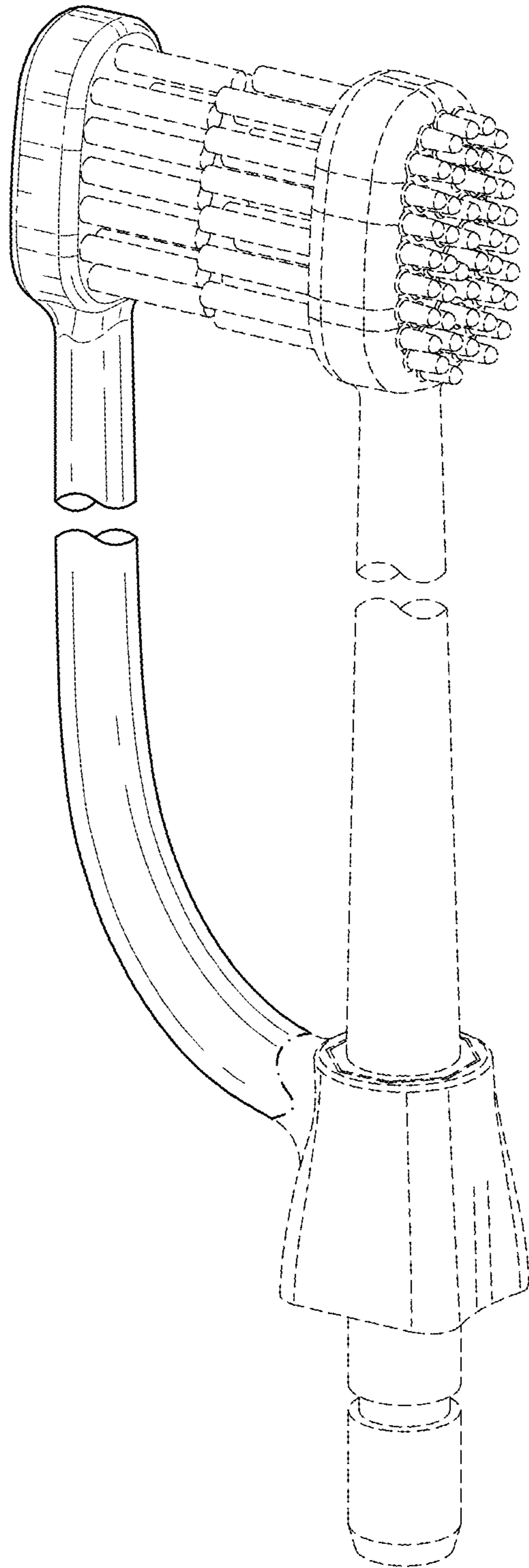


FIG. 1

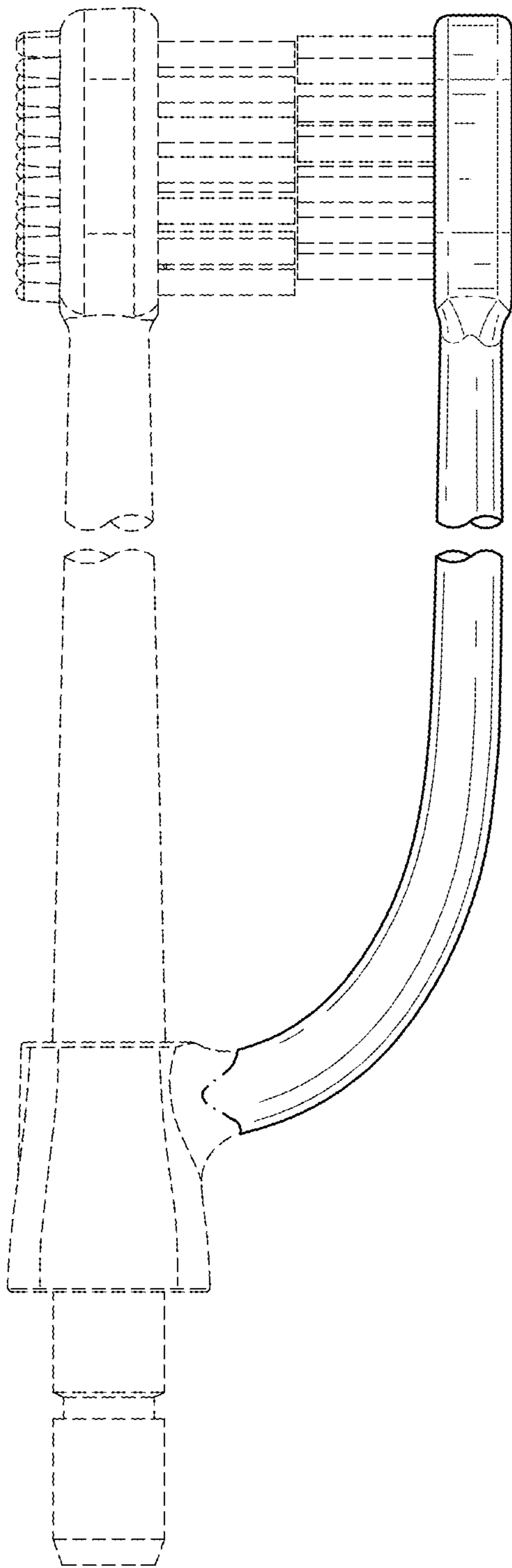


FIG. 2

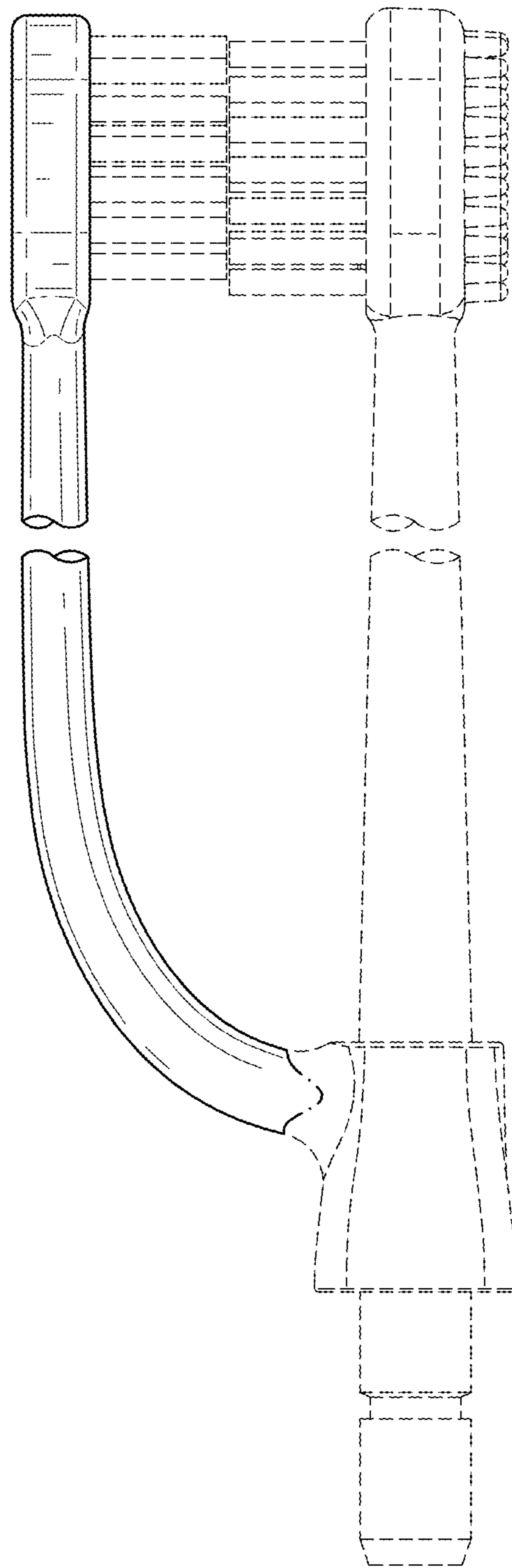


FIG. 3

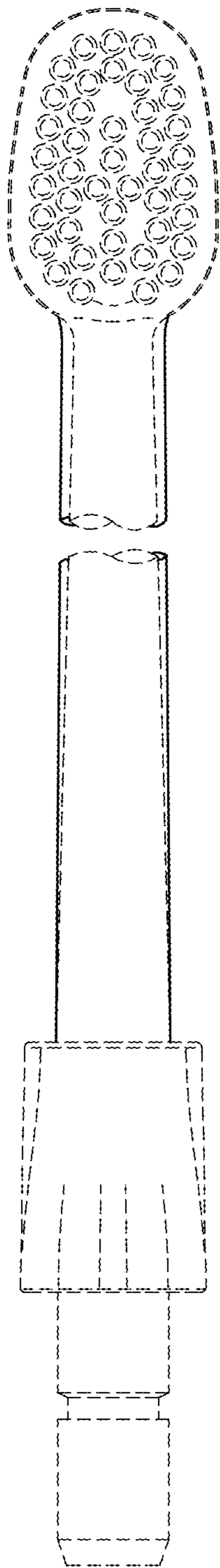


FIG. 4

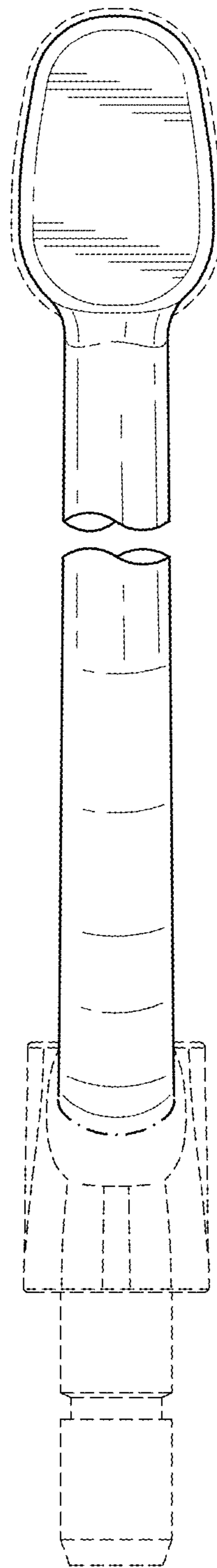


FIG. 5

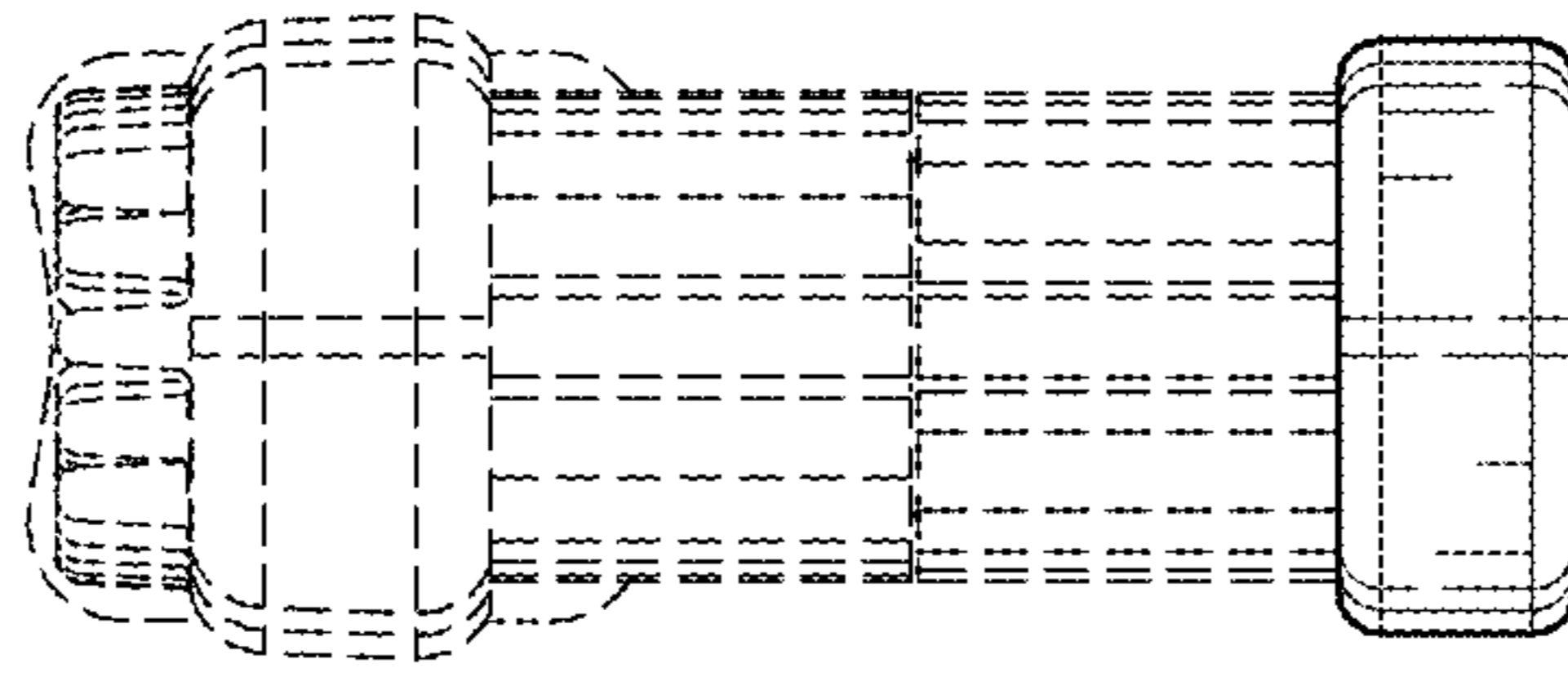


FIG. 6

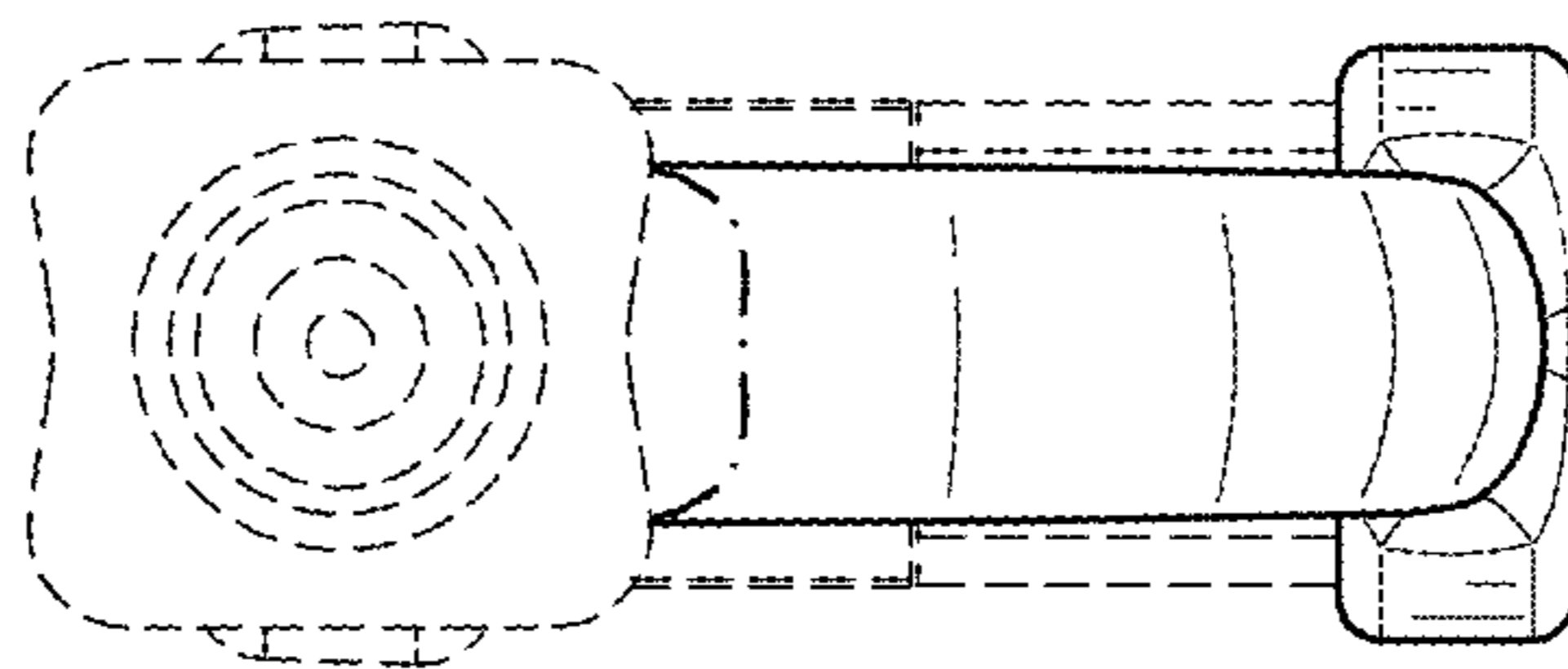


FIG. 7