

US00D889844S

(12) **United States Design Patent** (10) **Patent No.:** **US D889,844 S**  
**Greve et al.** (45) **Date of Patent:** **\*\* Jul. 14, 2020**

(54) **ELECTRIC-TOOTHBRUSH HANDLE**

(71) Applicant: **Braun GmbH**, Kronberg (DE)

(72) Inventors: **Oliver Greve**, Kelkheim (DE); **Ansgar Hübner**, Bad Soden (DE); **Peter Charles Mason, Jr.**, Oberursel (DE); **Jonas Michels**, Frankfurt (DE); **Bianka Becker-Salzsäuler**, Liederbach (DE); **Fritz Schubert**, Bad Camberg (DE); **Andrea Schüring**, Eschborn (DE); **Sören Wasow**, Langenselbold (DE)

(73) Assignee: **BRAUN GMBH**, Kronberg (DE)

(\*\*) Term: **15 Years**

(21) Appl. No.: **29/647,748**

(22) Filed: **May 15, 2018**

**Related U.S. Application Data**

(62) Division of application No. 29/553,895, filed on Feb. 5, 2016, now Pat. No. Des. 819,973.

(51) **LOC (12) Cl.** ..... **04-02**

(52) **U.S. Cl.**  
USPC ..... **D4/101**

(58) **Field of Classification Search**  
USPC ..... D4/100-102, 104-113, 116, 117,  
D4/119-121, 127, 128, 130-138, 199  
See application file for complete search history.

(56) **References Cited**

**U.S. PATENT DOCUMENTS**

D187,362 S 3/1960 Ellefson  
D425,113 S 5/2000 Kleman  
D457,322 S 5/2002 Ferber  
D458,027 S \* 6/2002 Ferber ..... D4/101

D489,183 S 5/2004 Akahori  
D532,974 S \* 12/2006 Zhuan ..... D4/101  
D533,720 S \* 12/2006 Vu ..... D4/101  
D534,725 S 1/2007 Vu  
D636,604 S \* 4/2011 Zhuan ..... D4/101  
D658,382 S \* 5/2012 Heil ..... D4/101  
D658,883 S 5/2012 Winkler  
D688,464 S 8/2013 Hara  
D691,375 S 10/2013 Heil  
D696,023 S 12/2013 Gebski  
D696,517 S 12/2013 Gebski  
D699,908 S 2/2014 Fang  
D717,547 S 11/2014 Adriaenssen  
D725,454 S \* 3/2015 Lin ..... D8/107  
D740,035 S 10/2015 Teherani  
D749,324 S 2/2016 Cessot  
D752,868 S 4/2016 McGarry et al.  
D758,080 S 6/2016 Since  
D759,382 S 6/2016 Watkins

(Continued)

*Primary Examiner* — Michael C Stout  
*Assistant Examiner* — Katrina N Gonzalez  
(74) *Attorney, Agent, or Firm* — Vladimir Vitenberg

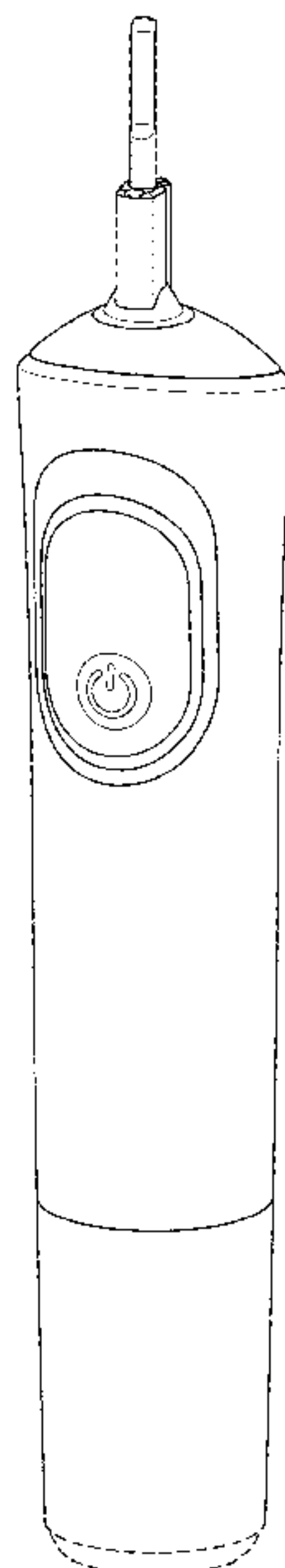
(57) **CLAIM**

The ornamental design for an electric-toothbrush handle, as shown and described.

**DESCRIPTION**

FIG. 1 is a perspective view of an electric-toothbrush handle;  
FIG. 2 is a front view thereof;  
FIG. 3 is a left side view thereof;  
FIG. 4 is a rear view thereof;  
FIG. 5 is a right side view thereof;  
FIG. 6 is a top plan view thereof; and,  
FIG. 7 is a bottom view thereof.  
The broken lines illustrate portions of the electric-toothbrush handle form no part of the claimed design.

**1 Claim, 2 Drawing Sheets**



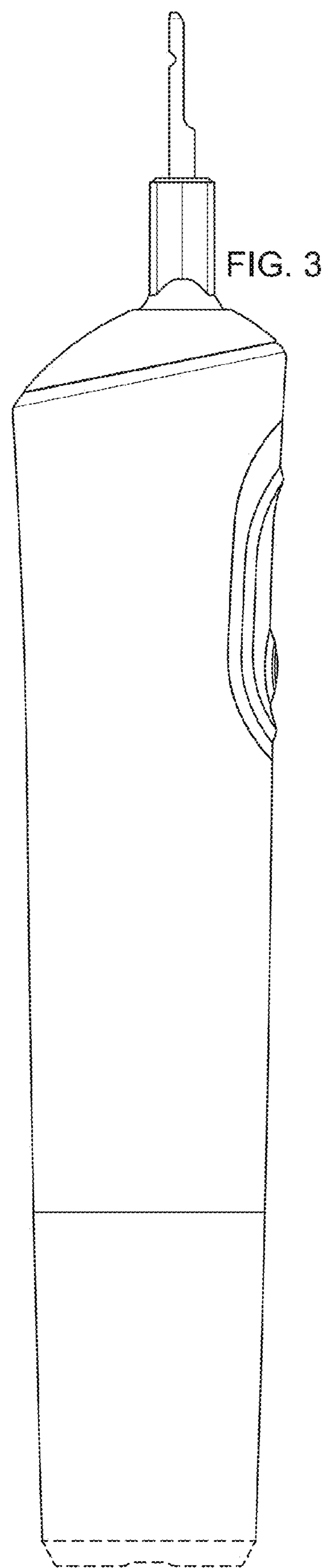
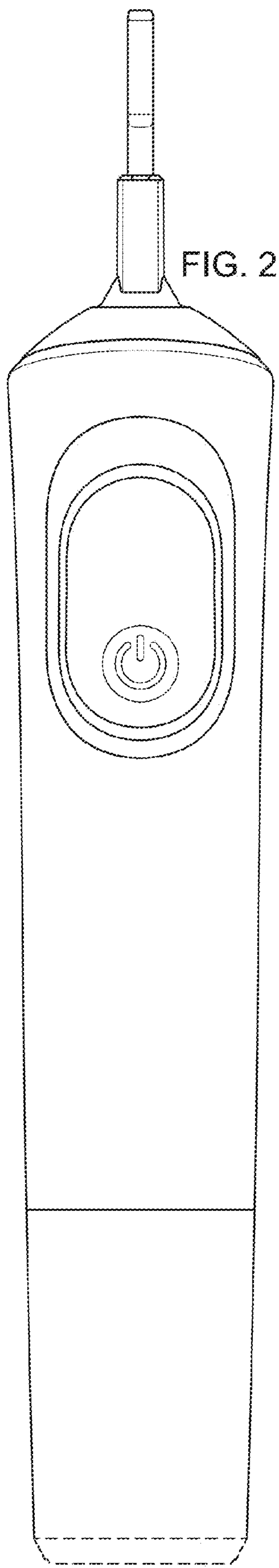
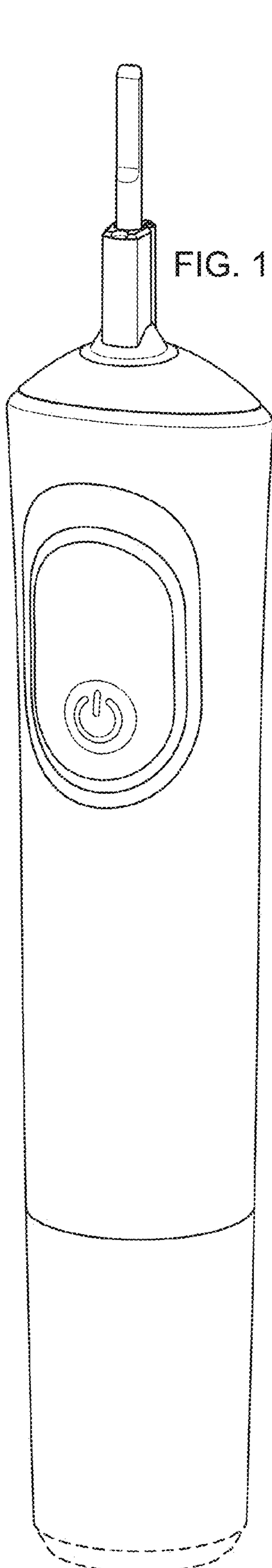
(56)

**References Cited**

## U.S. PATENT DOCUMENTS

D761,567 S *	7/2016	Uchida .....	D4/101
D764,184 S	8/2016	Paetzel	
D765,414 S	9/2016	Sosa	
D766,580 S	9/2016	Kollar	
D766,581 S	9/2016	Bloch	
D767,895 S *	10/2016	Stebila .....	D4/101
D767,896 S	10/2016	Shigeno	
D773,192 S	12/2016	Nabavi	
D773,822 S	12/2016	Sikora	
D788,469 S *	6/2017	McGarry .....	D4/101
D791,485 S *	7/2017	McGarry .....	D4/101
D799,217 S *	10/2017	Massee .....	D4/101
D801,696 S *	11/2017	McGarry .....	D4/101
D819,337 S *	6/2018	Yuan .....	D4/101
D819,973 S *	6/2018	Greve .....	D4/101
D824,677 S *	8/2018	Tseng .....	D4/101
D834,321 S *	11/2018	Demarest .....	D4/100
D834,323 S *	11/2018	Sohn .....	D4/101
D838,991 S *	1/2019	Choi .....	D4/101
D844,995 S *	4/2019	Wong .....	D4/101
D844,997 S *	4/2019	Au .....	D4/104
D845,636 S *	4/2019	Porter .....	D4/104
D846,883 S *	4/2019	Bloch .....	D4/101
D852,021 S *	6/2019	Magana .....	D8/107
D855,263 S *	7/2019	Raku .....	D30/158
2013/0134062 A1	5/2013	Sauer	

\* cited by examiner



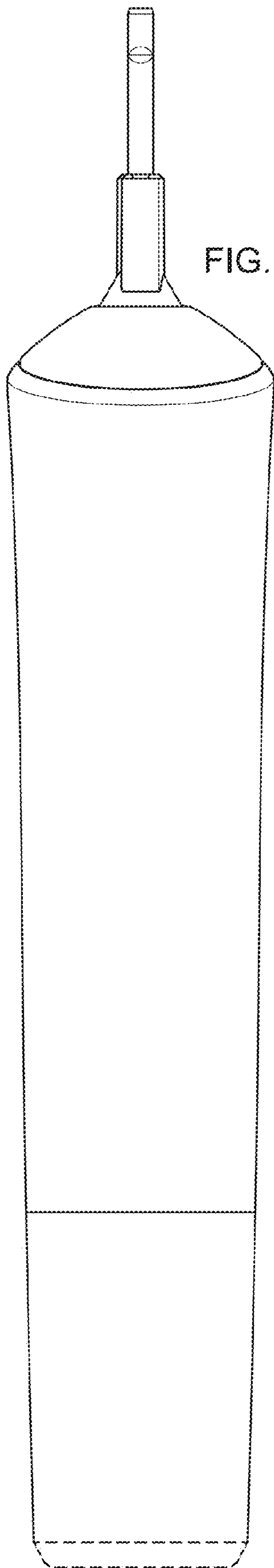


FIG. 4

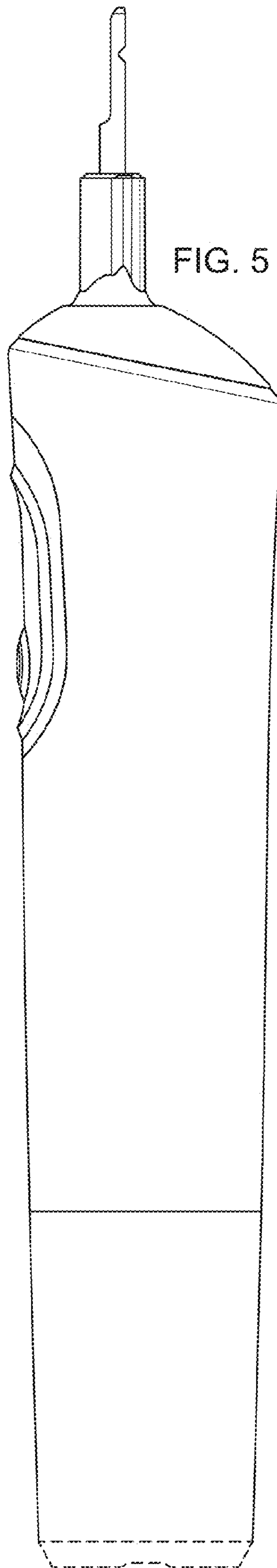


FIG. 5

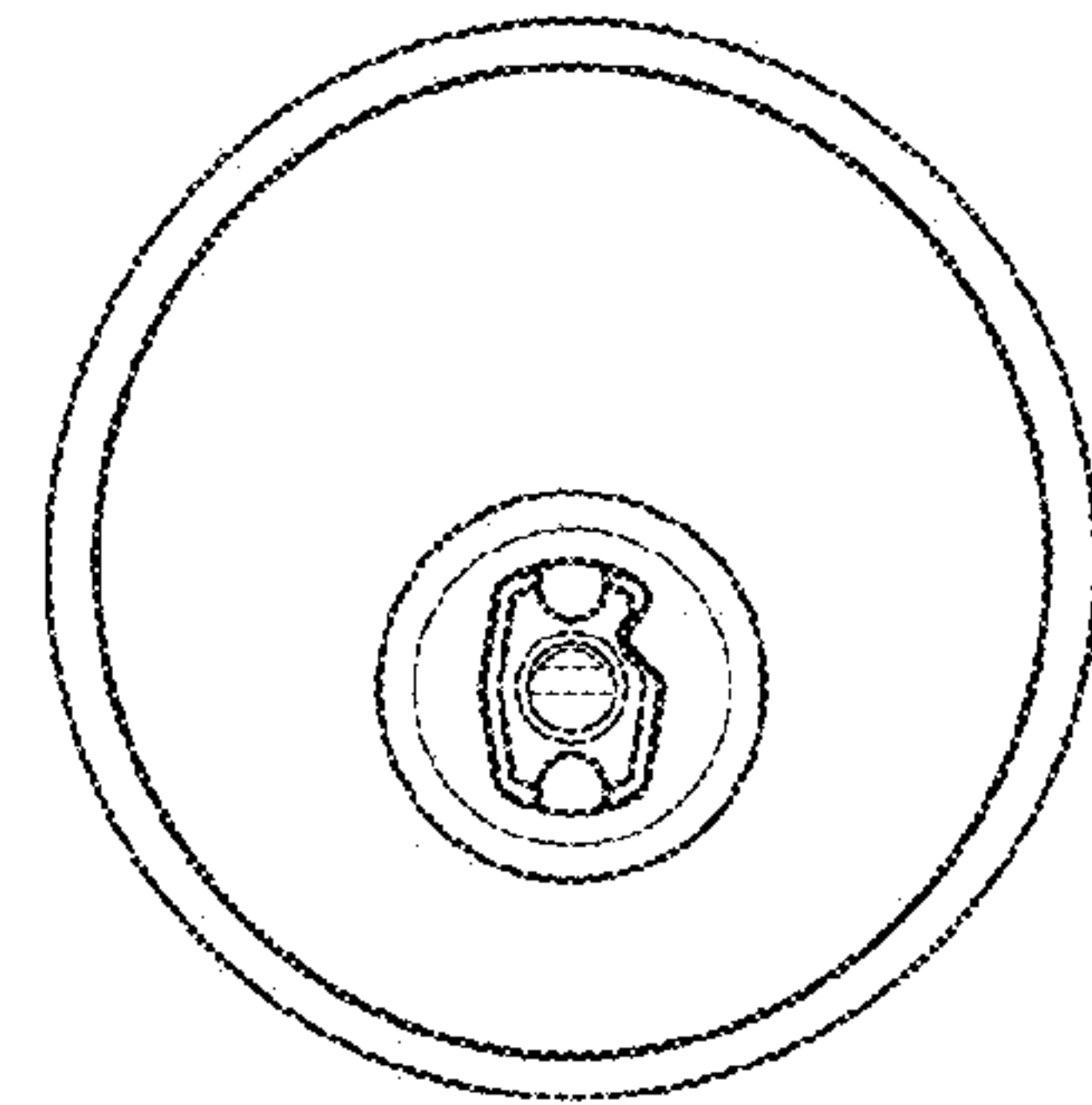


FIG. 6

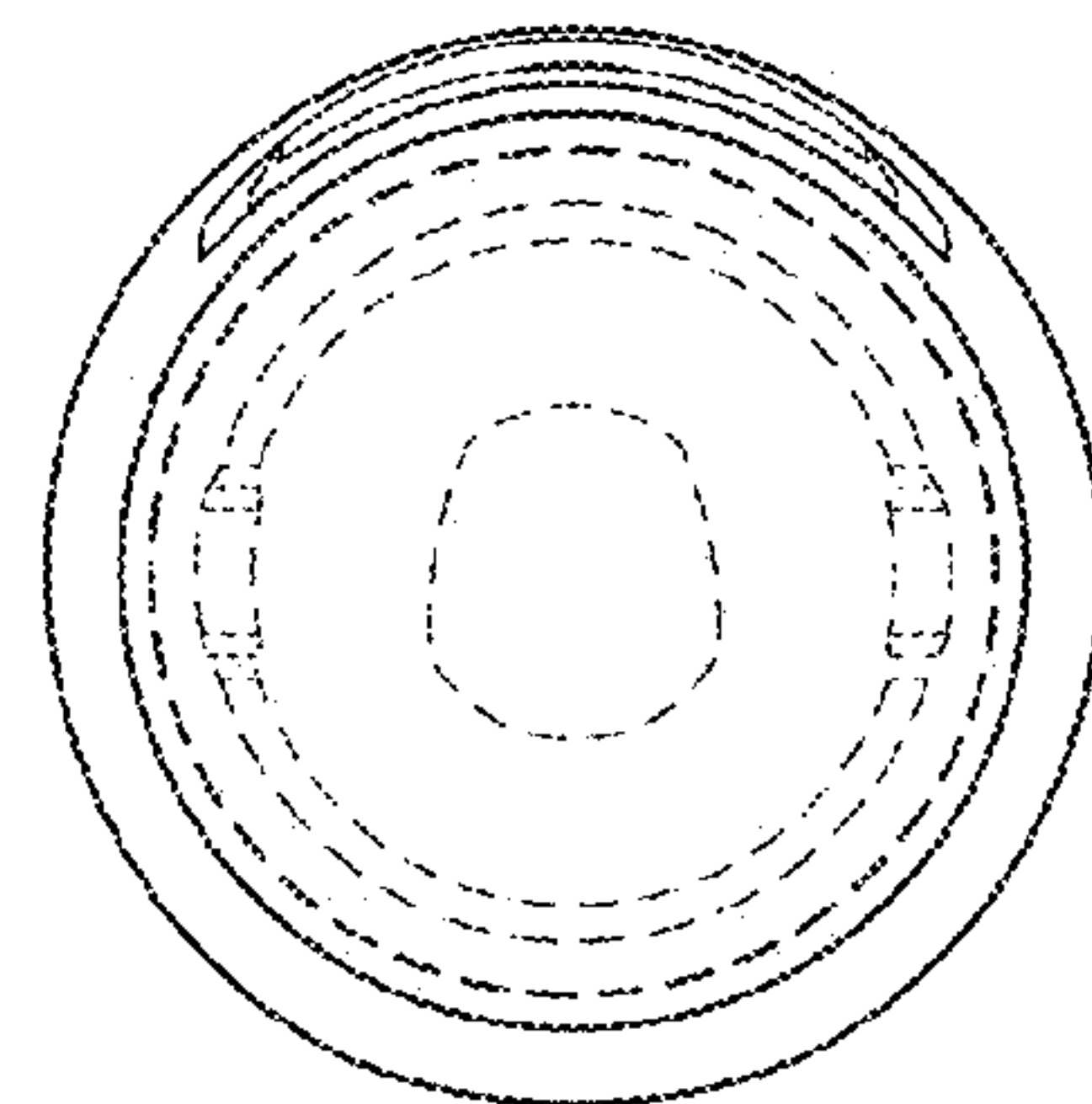


FIG. 7