



US00D889843S

(12) **United States Design Patent** (10) **Patent No.:** **US D889,843 S**
Liu (45) **Date of Patent:** **** Jul. 14, 2020**

(54) **CARRY STRAP**
(71) Applicant: **Maoqin Liu**, Shenzhen (CN)
(72) Inventor: **Maoqin Liu**, Shenzhen (CN)
(**) Term: **15 Years**
(21) Appl. No.: **29/728,476**
(22) Filed: **Mar. 18, 2020**
(51) **LOC (12) Cl.** **03-01**
(52) **U.S. Cl.**
USPC **D3/327**
(58) **Field of Classification Search**
USPC **D3/327**
CPC **A45C 11/00; A63B 47/00**
See application file for complete search history.

Primary Examiner — Holly H Baynham

(57) **CLAIM**

The ornamental design for a carry strap, as shown and described.

DESCRIPTION

FIG. 1 is a perspective view of a carry strap showing my new design;
FIG. 2 is a front elevational view thereof;
FIG. 3 is a rear elevational view thereof;
FIG. 4 is a left side elevational view thereof;
FIG. 5 is a right side elevational view thereof;
FIG. 6 is a top plan view thereof;
FIG. 7 is a bottom plan view thereof; and
FIG. 8 is a perspective view thereof shown in a second state for clarity of disclosure;
FIG. 9 is a perspective view thereof in used with an unclaimed tent; and,
FIG. 10 is a perspective view thereof in used with an unclaimed tent and a man.
The broken lines in the drawings depict portions of the carry strap that form no part of the claimed design.

(56) **References Cited**

U.S. PATENT DOCUMENTS

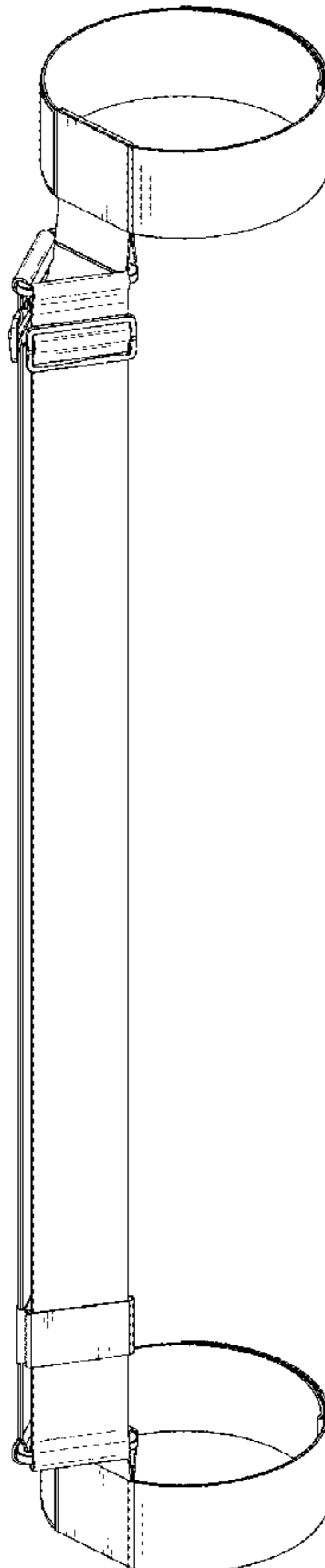
4,088,251 A * 5/1978 Rodriguez A45C 11/00
224/626
D509,065 S 9/2005 Koenig
D650,586 S * 12/2011 Hutcheson D3/316
D655,090 S 3/2012 Puckett
D799,205 S 10/2017 Munson

OTHER PUBLICATIONS

Carry strap. Online catalog, Strapworks, Aug. 1, 2017 [retrieved on May 22, 2020]. Retrieved from the Internet: https://www.strapworks.com/Universal_Carry_Strap_p/ucs112n.htm (Year: 2017).*

* cited by examiner

1 Claim, 10 Drawing Sheets



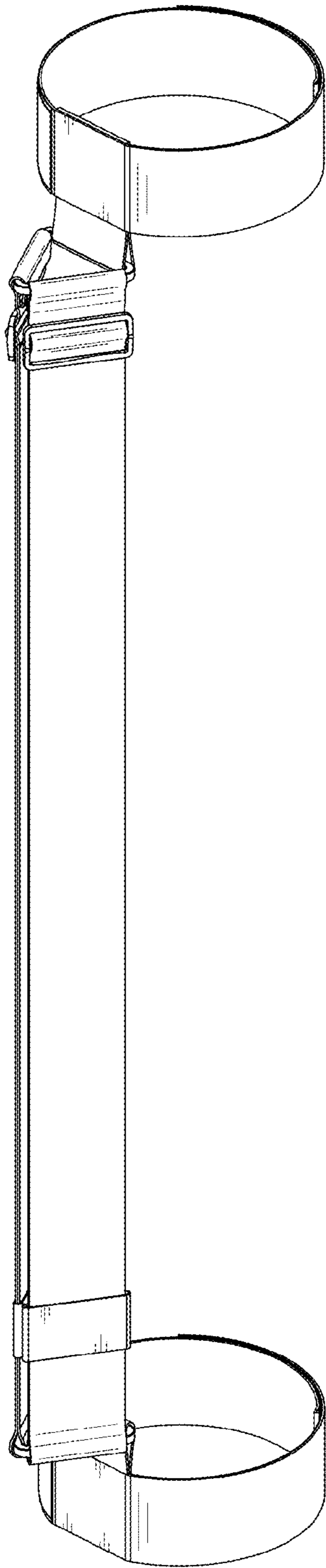


FIG. 1

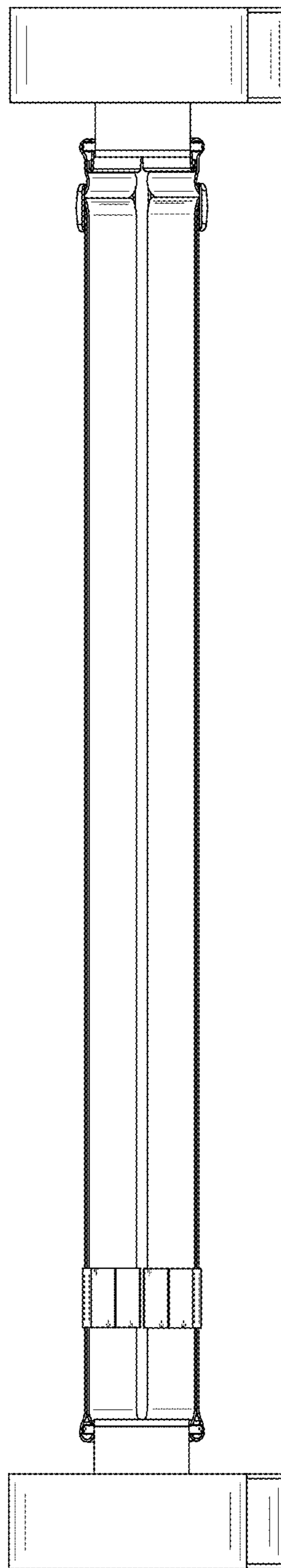


FIG. 2

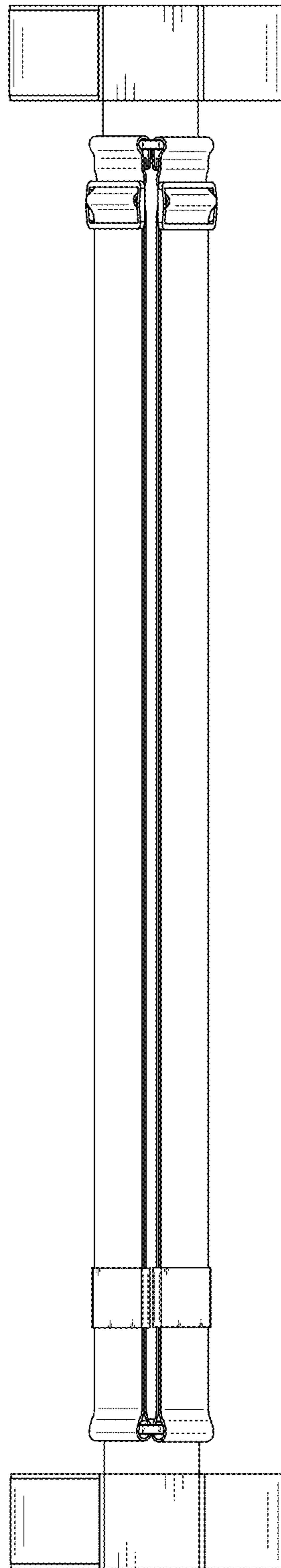


FIG. 3

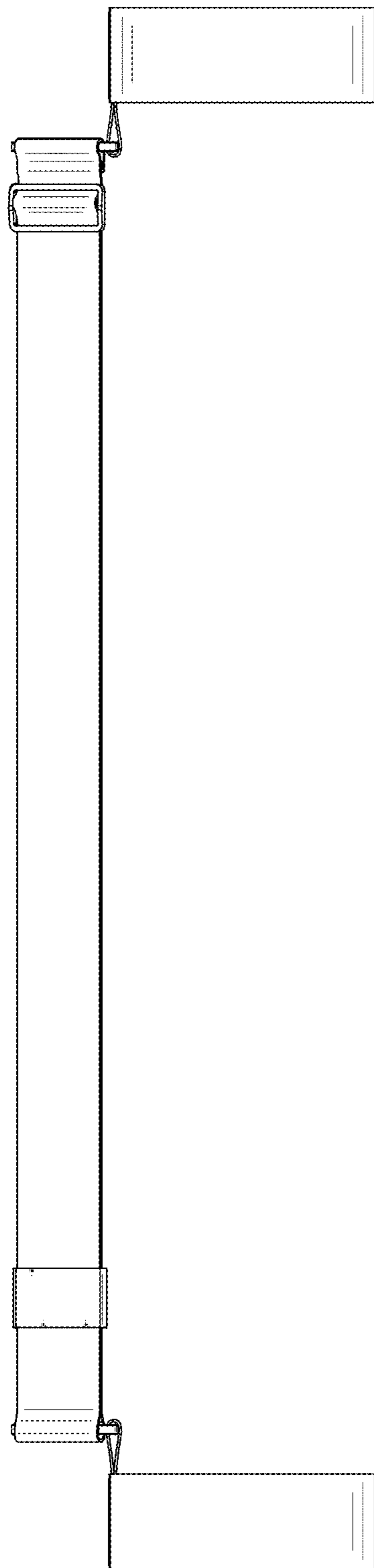


FIG. 4

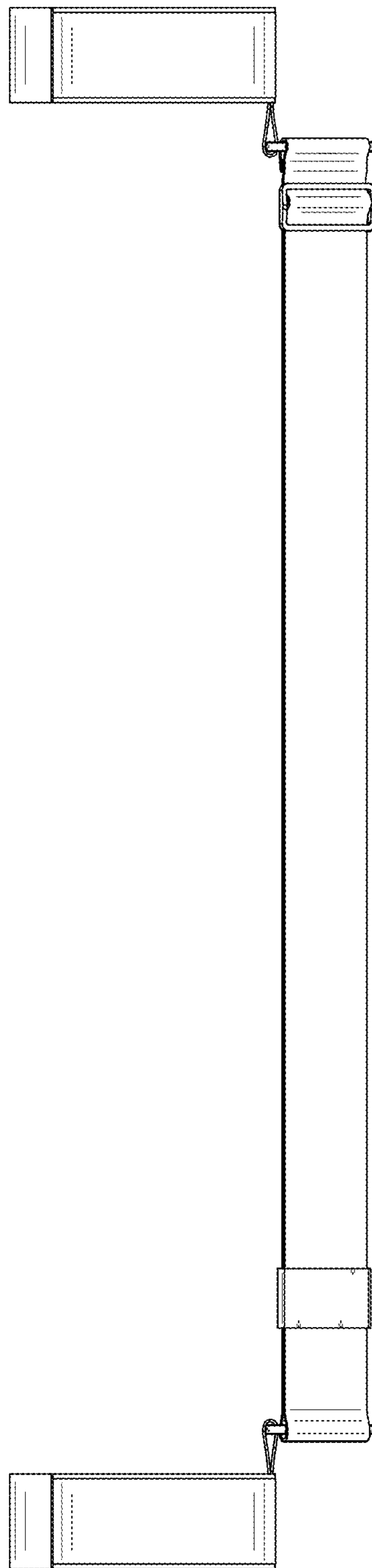


FIG. 5

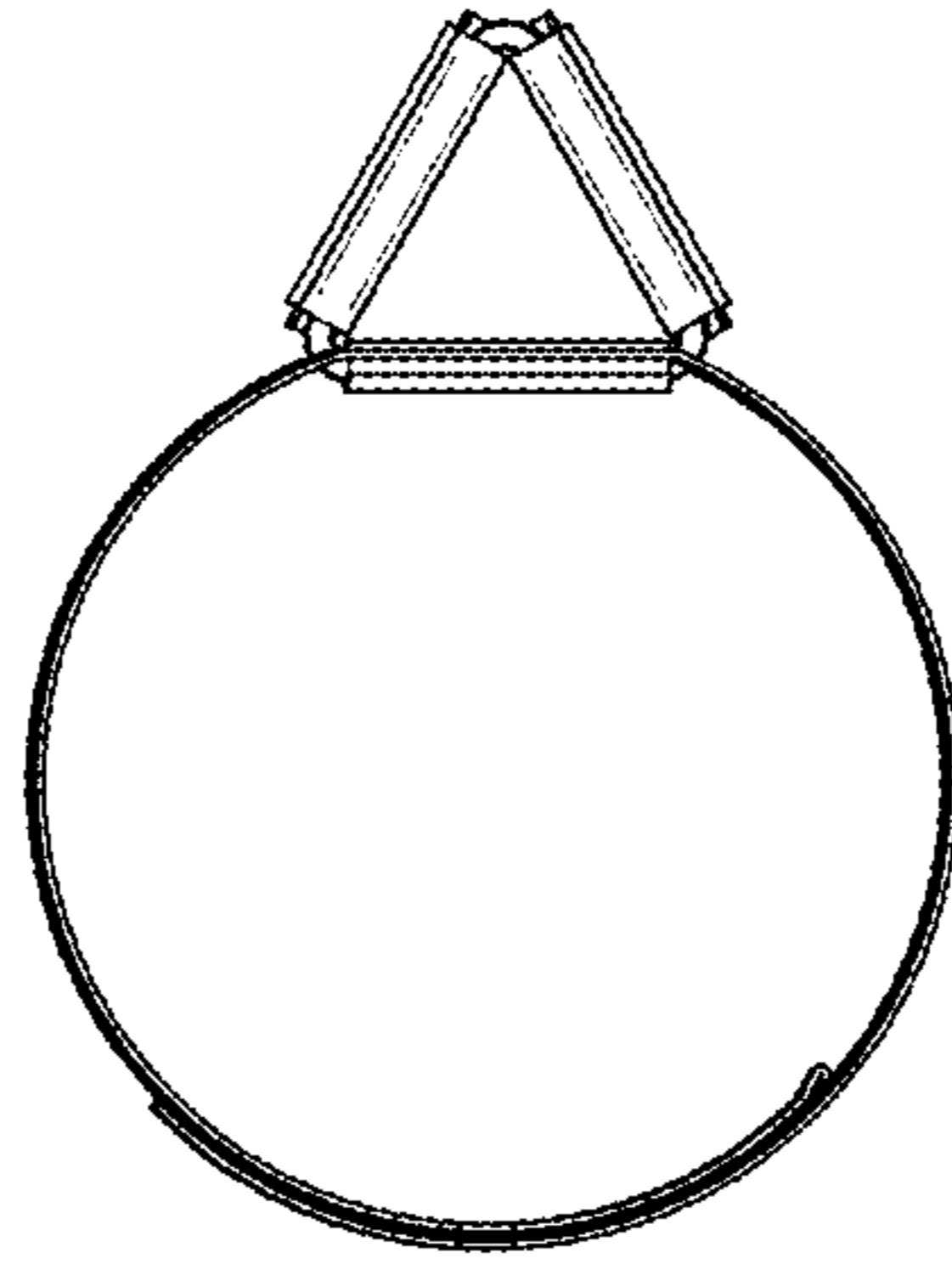


FIG. 6

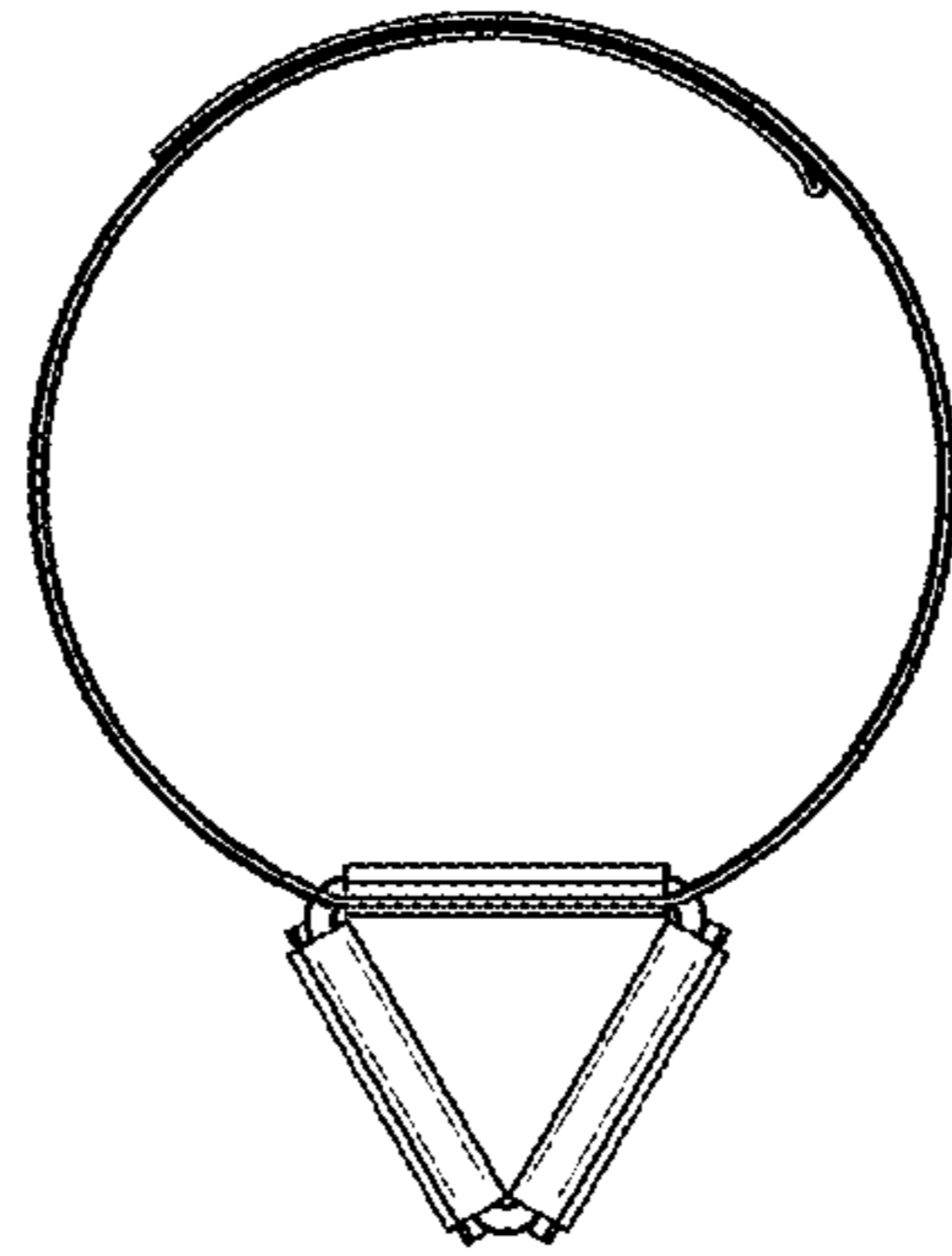


FIG. 7

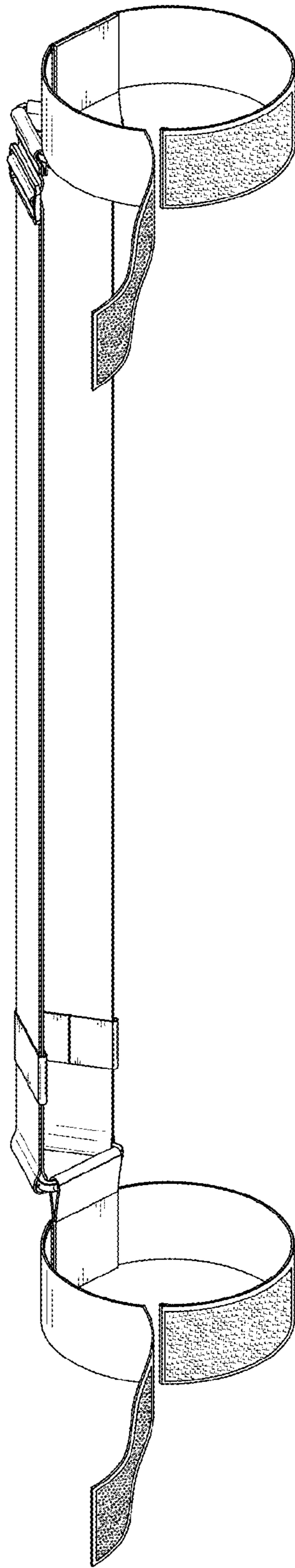


FIG. 8

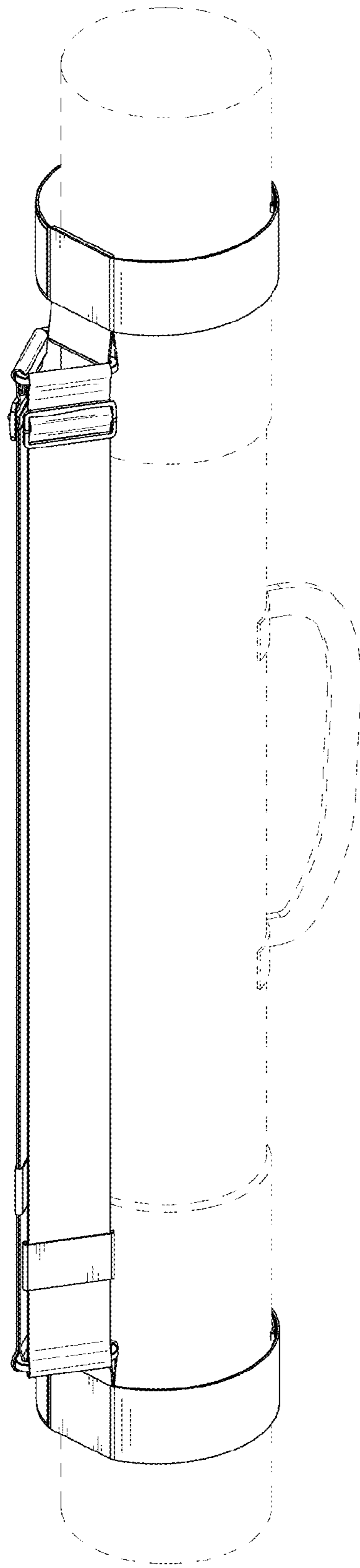


FIG. 9

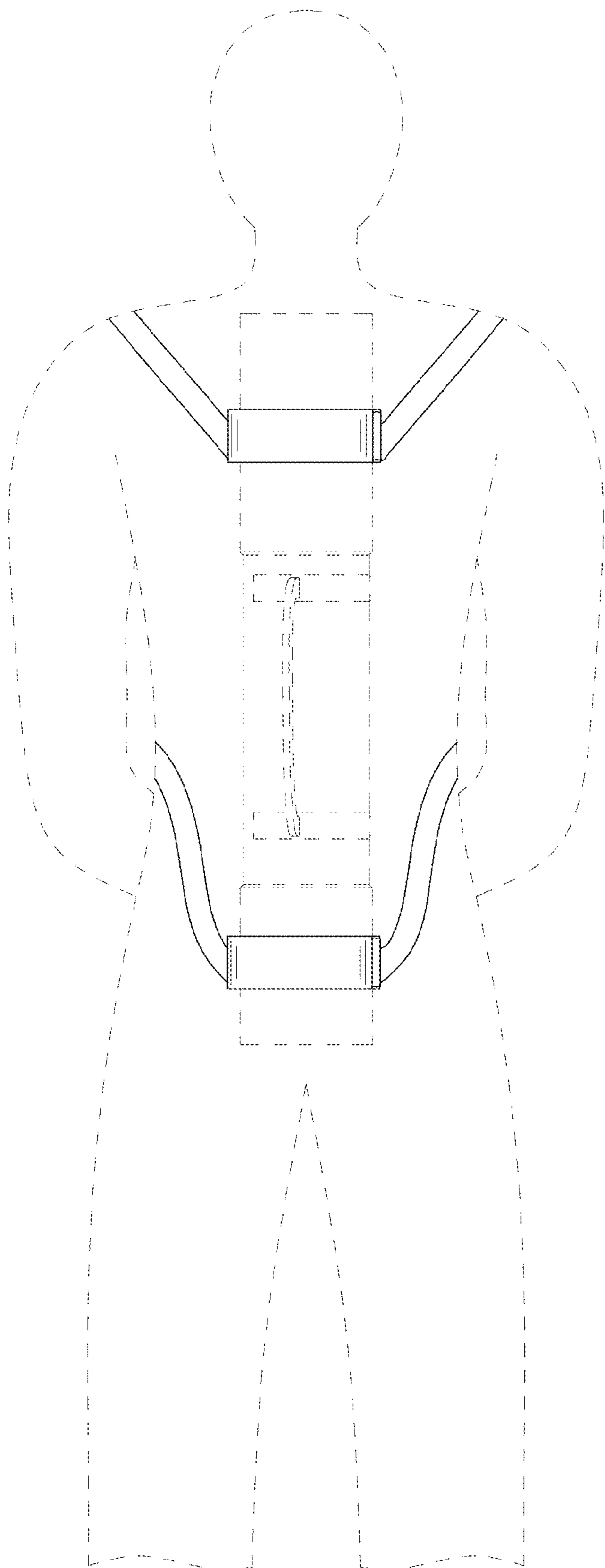


FIG. 10