



US00D889840S

(12) **United States Design Patent**
Slimane

(10) **Patent No.:** **US D889,840 S**

(45) **Date of Patent:** **** Jul. 14, 2020**

(54) **CLASP**

(71) Applicant: **CELINE**, Paris (FR)

(72) Inventor: **Hedi Slimane**, Paris (FR)

(73) Assignee: **CELINE**, Paris (FR)

(**) Term: **15 Years**

(21) Appl. No.: **29/681,881**

(22) Filed: **Feb. 28, 2019**

(30) **Foreign Application Priority Data**

Aug. 28, 2018 (EM) 005621935-0001

(51) **LOC (12) Cl.** **03-01**

(52) **U.S. Cl.**
USPC **D3/318**

(58) **Field of Classification Search**
USPC D3/232–233, 240–243, 245–246, 318
CPC A45C 13/10; A45C 13/06; A44C 5/20;
A44C 5/2009; A44C 1/00; A44C 25/007;
A44C 3/00; A44C 3/001; A44C 5/185;
A44C 5/18
See application file for complete search history.

(56) **References Cited**

U.S. PATENT DOCUMENTS

3,757,392 A * 9/1973 Shteinshleifer A44C 5/2009
24/598.3

D757,430 S * 5/2016 Spaziani D3/243
D762,062 S * 7/2016 Spaziani D3/243
D767,884 S * 10/2016 Venturini Fendi D3/243
D789,079 S * 6/2017 Michele D3/232
D792,093 S * 7/2017 Venturini Fendi D3/243
D802,299 S * 11/2017 Sassi D3/246

* cited by examiner

Primary Examiner — Holly H Baynham

(74) *Attorney, Agent, or Firm* — Finnegan, Henderson,
Farabow, Garrett & Dunner, LLP

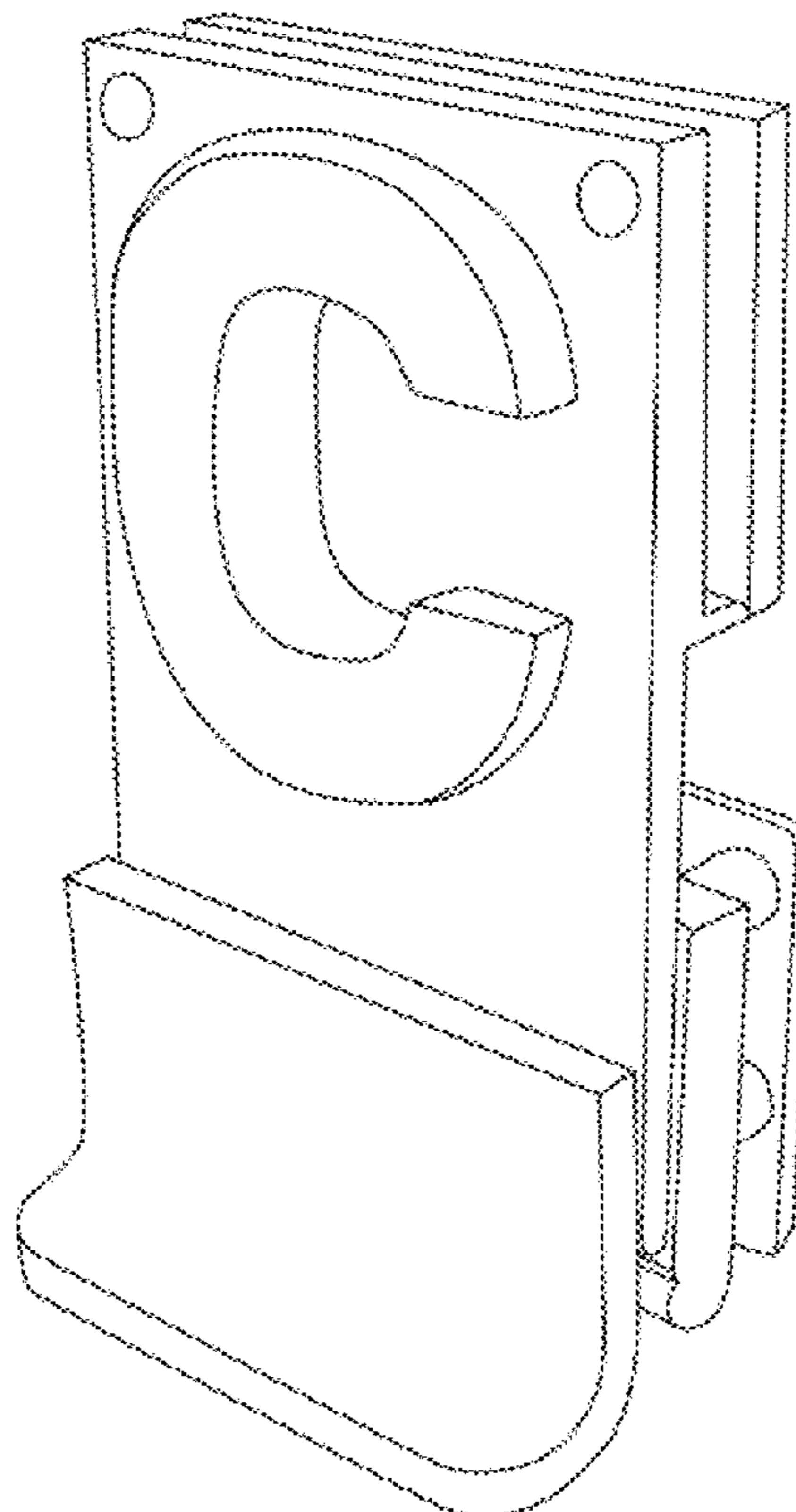
(57) **CLAIM**

The ornamental design for a clasp, as shown and described.

DESCRIPTION

FIG. 1 is a top, front, right perspective view of a clasp showing my new design;
FIG. 2 is a front elevation view thereof;
FIG. 3 is a rear elevation view thereof;
FIG. 4 is right side elevation view thereof;
FIG. 5 is a left side elevation view thereof;
FIG. 6 is a bottom plan view thereof; and,
FIG. 7 is a top plan view thereof.

1 Claim, 7 Drawing Sheets



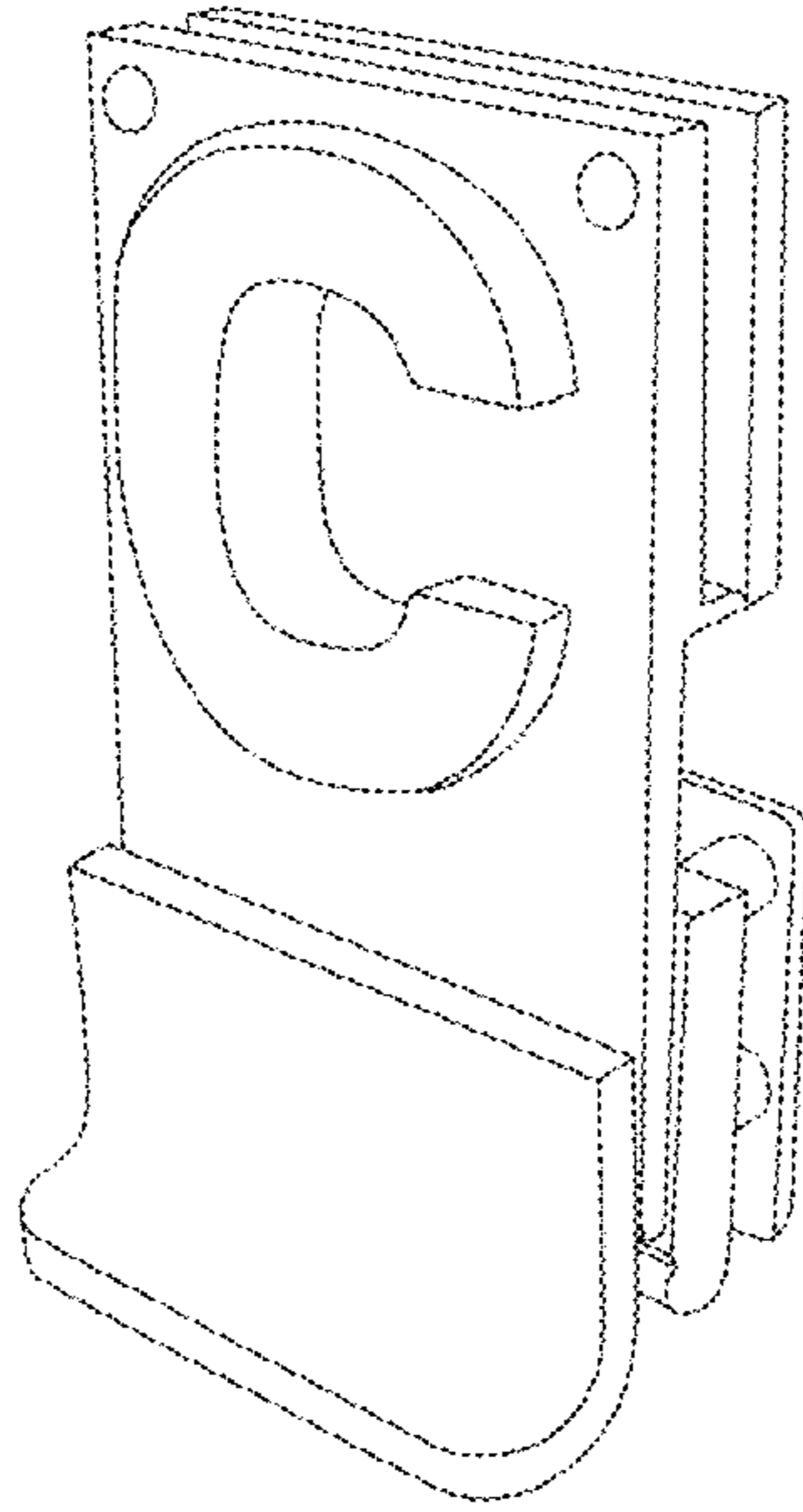


FIG. 1

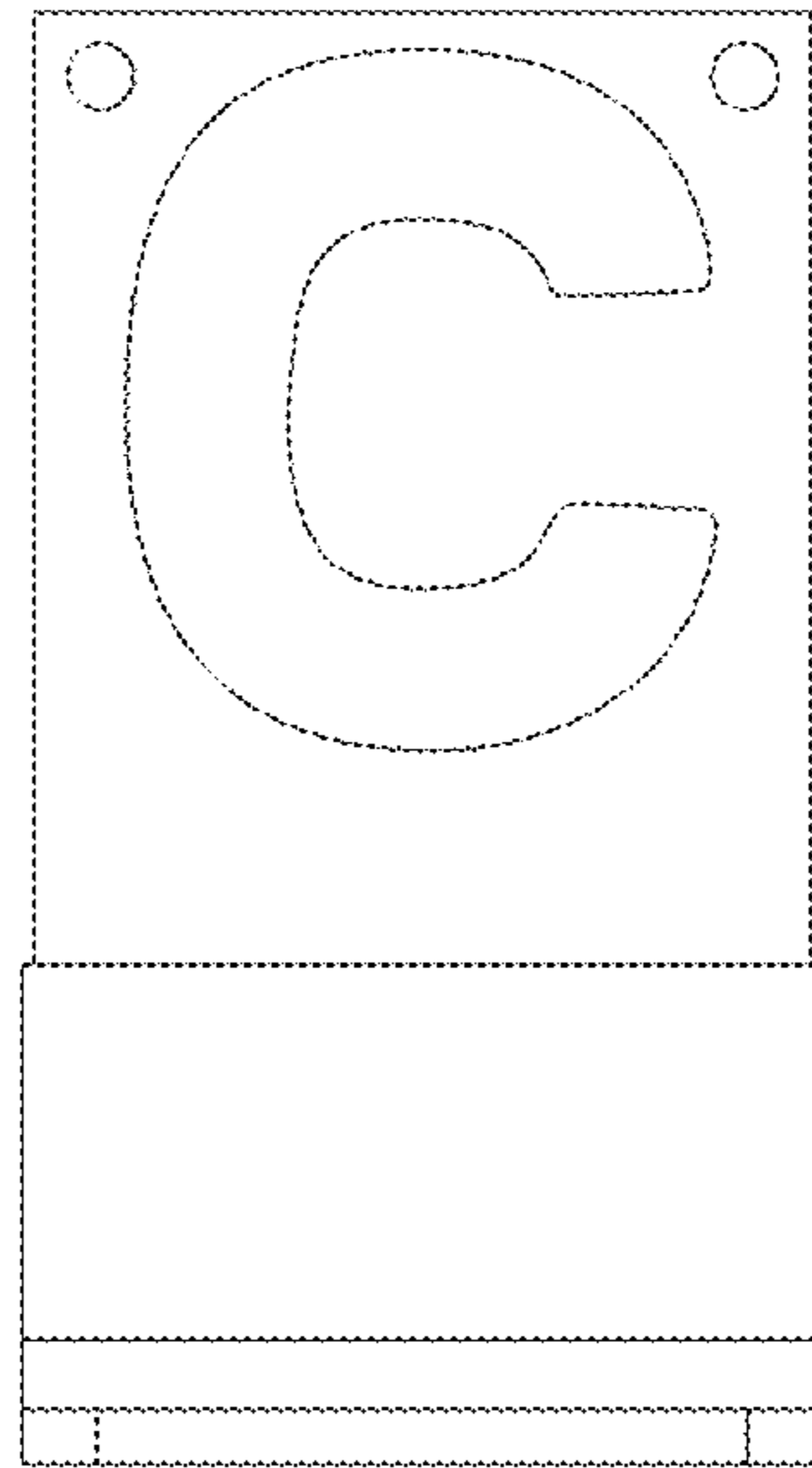


FIG. 2

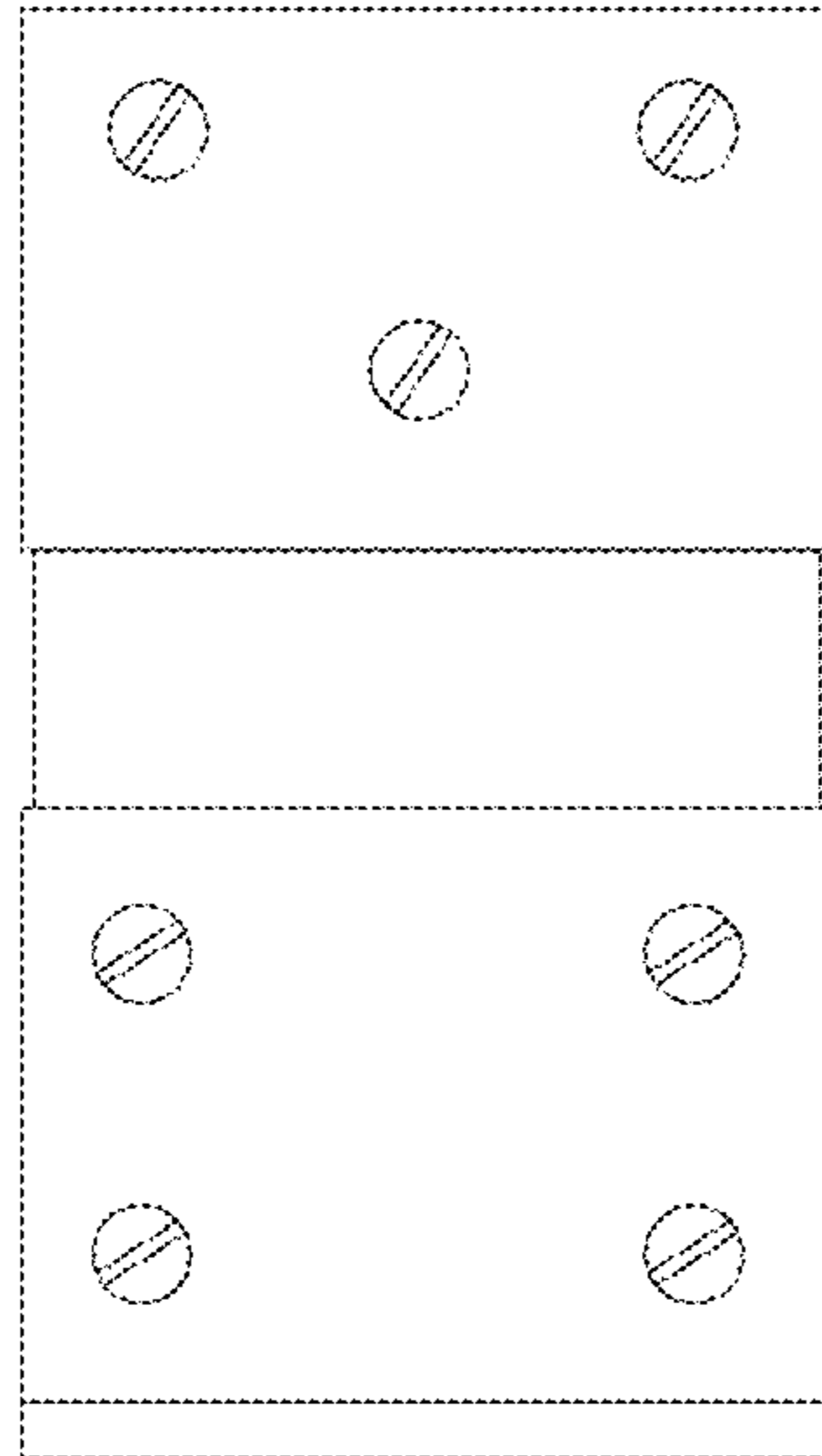


FIG. 3

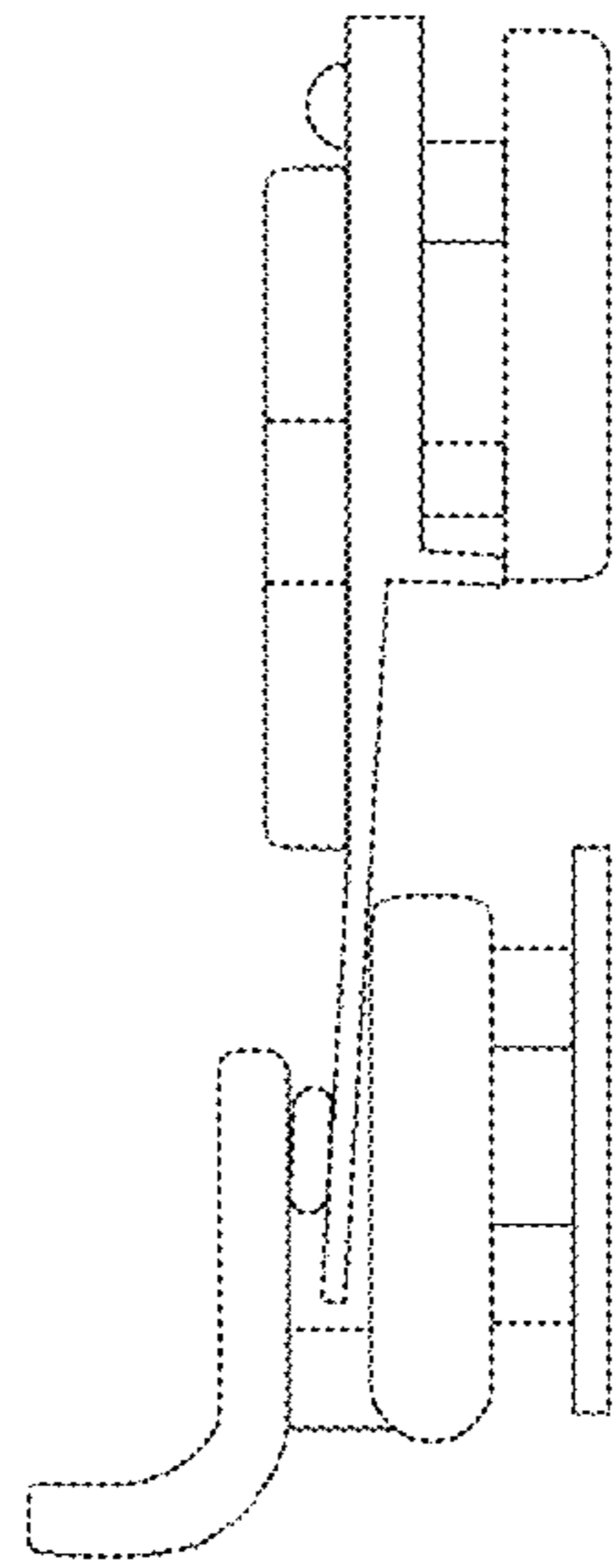


FIG. 4

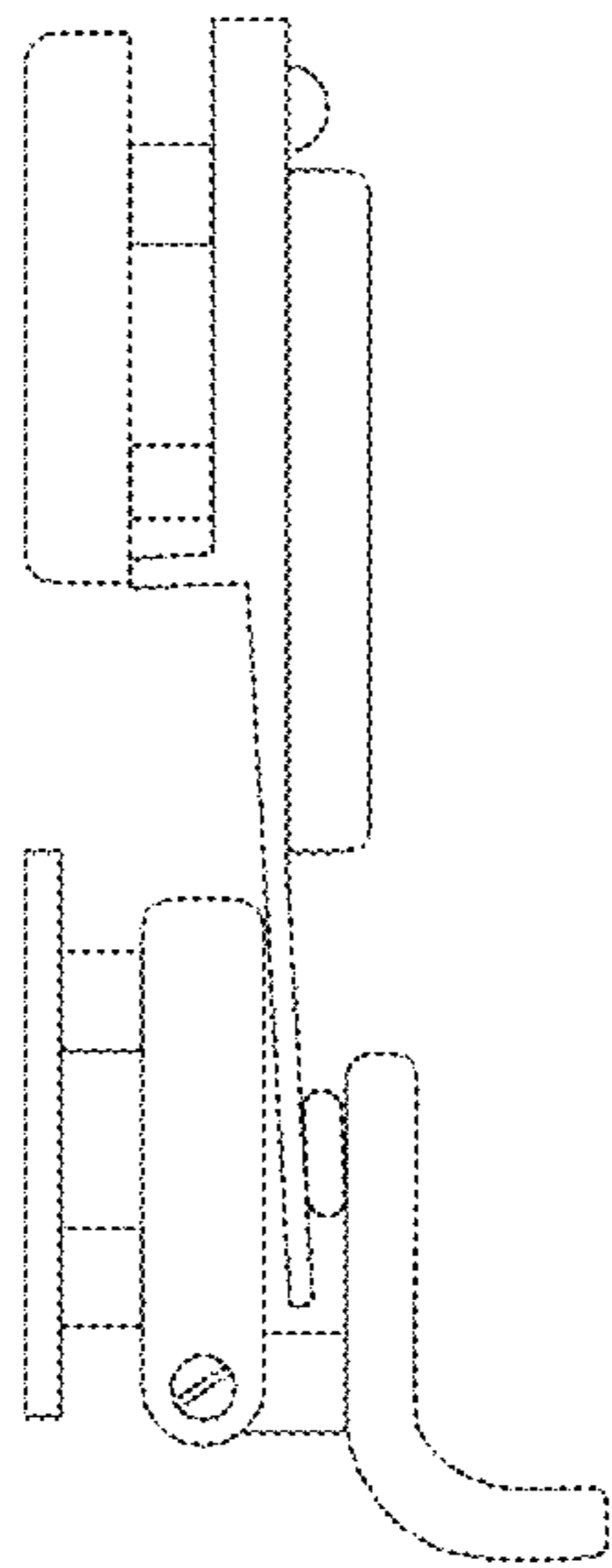


FIG. 5

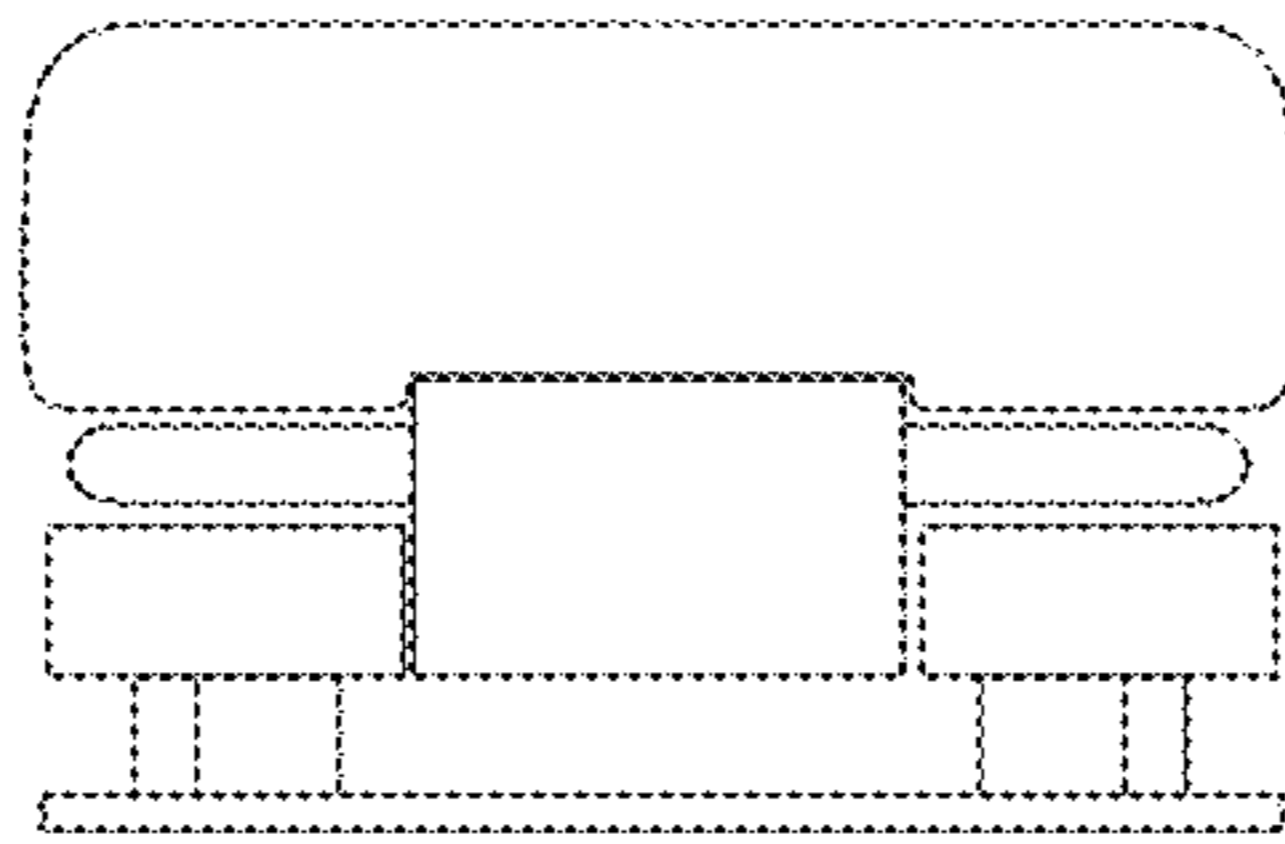


FIG. 6

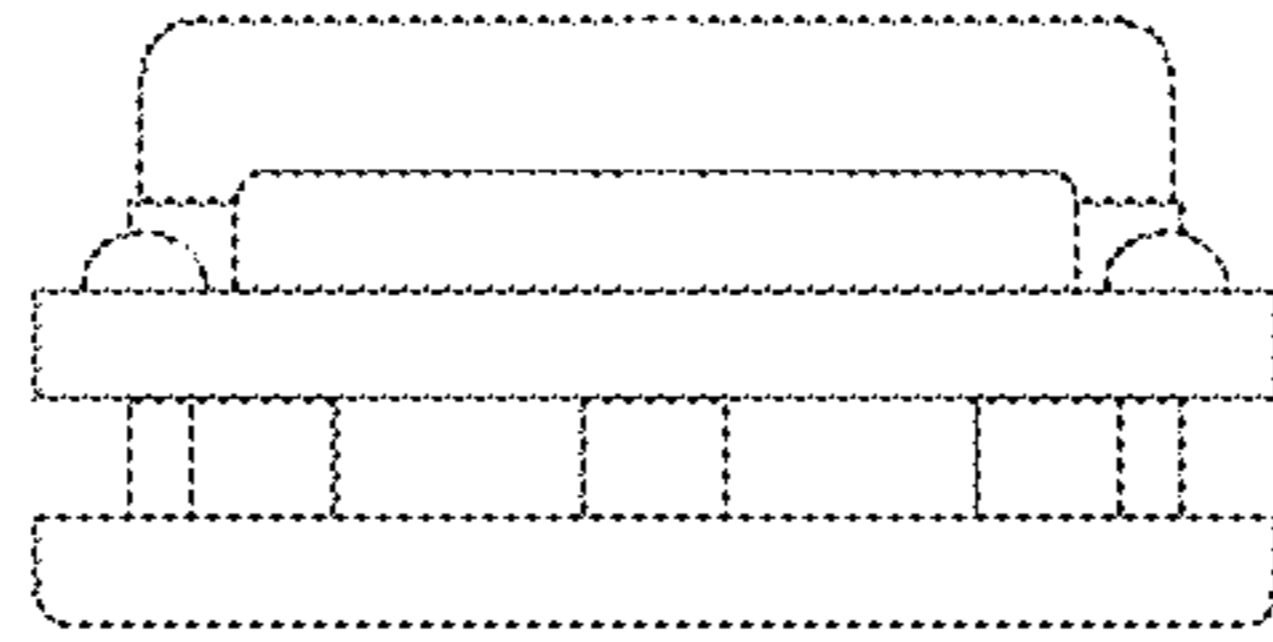


FIG. 7