



US00D889838S

(12) **United States Design Patent** (10) **Patent No.:** **US D889,838 S**
Feifei (45) **Date of Patent:** **** Jul. 14, 2020**

(54) **SHELL**

(74) *Attorney, Agent, or Firm* — Kilpatrick Townsend & Stockton LLP

(71) Applicant: **Xindao (Shanghai) Co., Ltd.**, Shanghai (CN)

(72) Inventor: **Tang Feifei**, Shanghai (CN)

(57) **CLAIM**

(73) Assignee: **Xindao (Shanghai) Co., Ltd.**, Shanghai (CN)

The ornamental design for shell, as shown and described.

(**) Term: **15 Years**

DESCRIPTION

(21) Appl. No.: **29/677,384**

(22) Filed: **Jan. 18, 2019**

FIG. 1 is a front perspective view of shell showing my new design;

(51) **LOC (12) Cl.** **03-01**

FIG. 2 is a front view thereof;

(52) **U.S. Cl.**

FIG. 3 is a back perspective view thereof;

USPC **D3/318**; D3/216; D3/217

FIG. 4 is a left side view thereof, the right side view being a mirror image thereof;

(58) **Field of Classification Search**

USPC D3/216–217, 318

FIG. 5 is a back view thereof;

CPC ... A45F 4/02; A45F 3/04; A45C 13/08; A45C

FIG. 6 is a top view thereof; and

13/30; A45C 5/03; A45C 2005/032; A45C

FIG. 7 is a bottom view thereof.

2005/035

See application file for complete search history.

The broken lines, in part, illustrate portions of the shell shown for context and do not form any portion of the claimed design.

(56) **References Cited**

U.S. PATENT DOCUMENTS

D706,534 S * 6/2014 Zwetzig D3/216

The shading lines shown in the drawings represent an approximate three-dimensional contour of the design, and are not intended to indicate surface decoration.

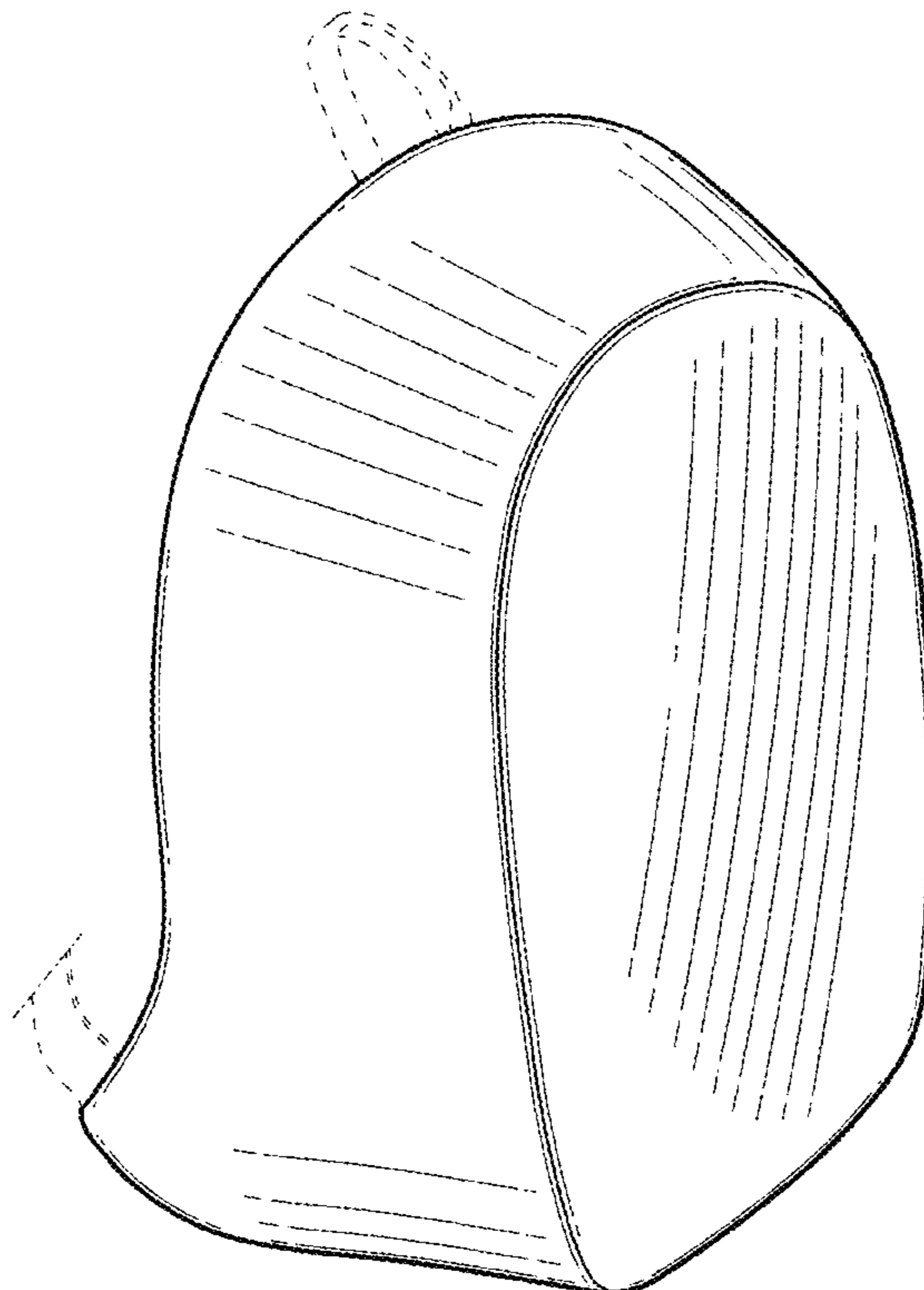
D810,444 S * 2/2018 Lee D3/318

10,413,045 B2 * 9/2019 Crisp A45F 3/04

* cited by examiner

Primary Examiner — Holly H Baynham

1 Claim, 7 Drawing Sheets



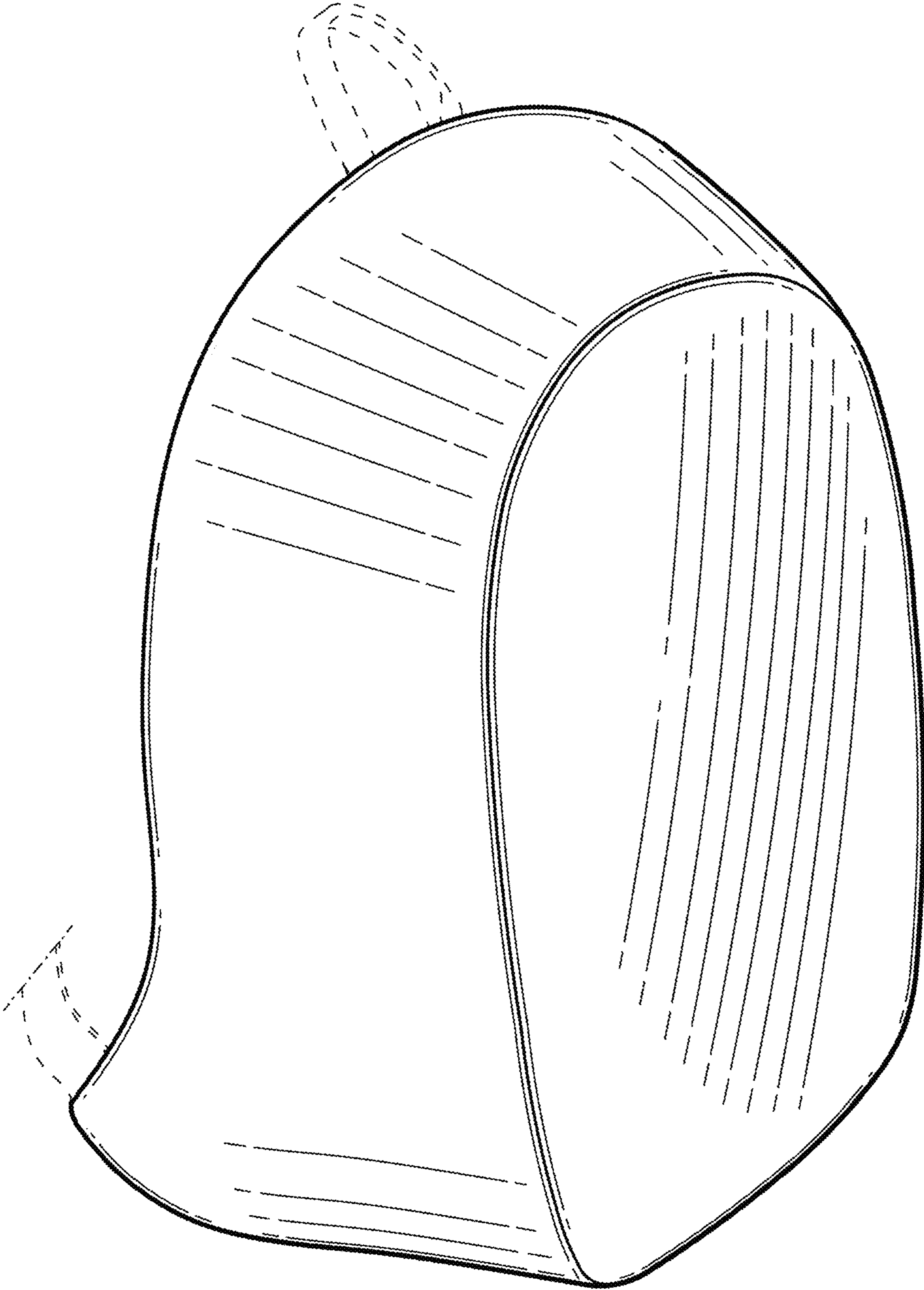


FIG. 1

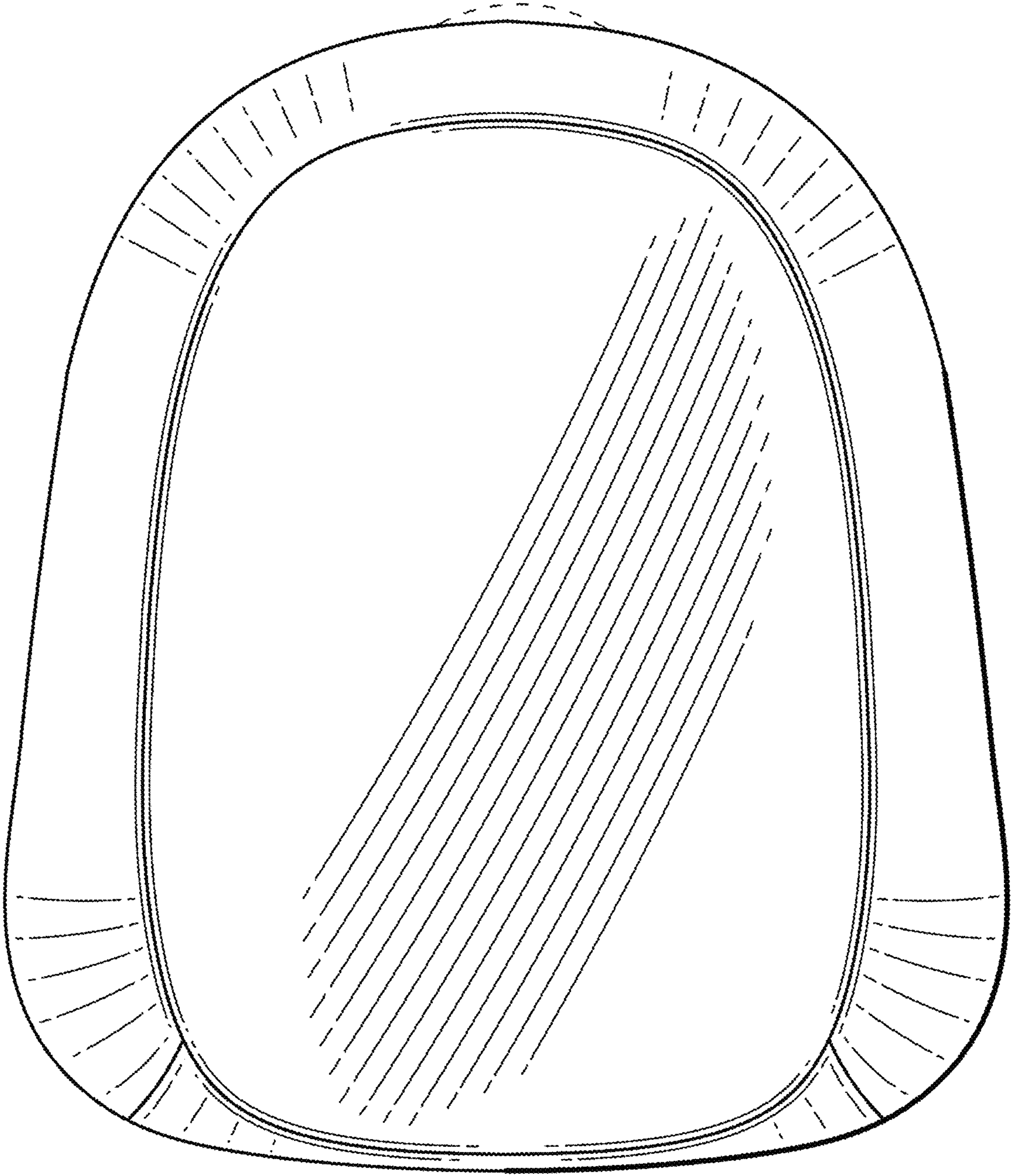


FIG. 2

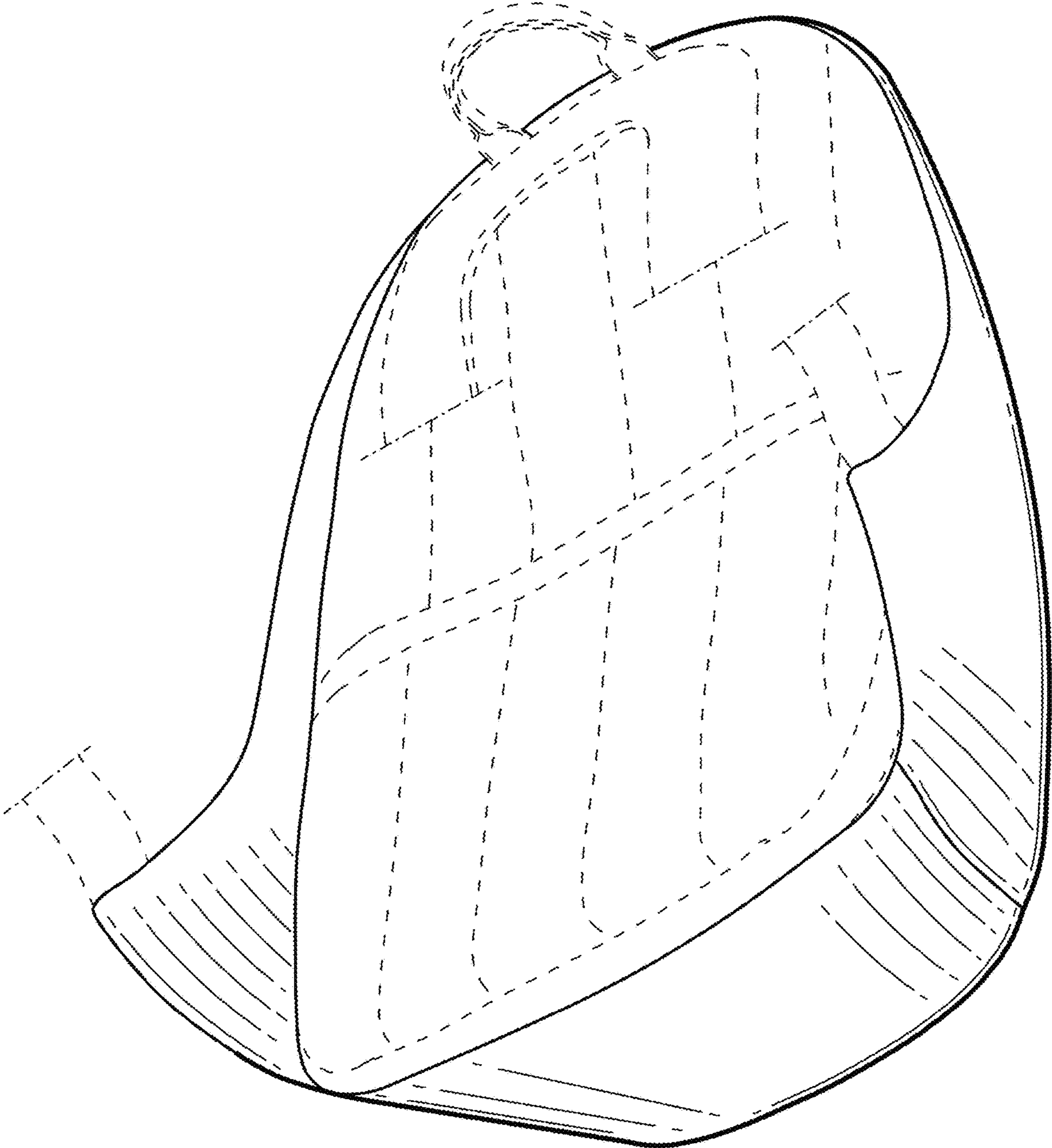


FIG. 3

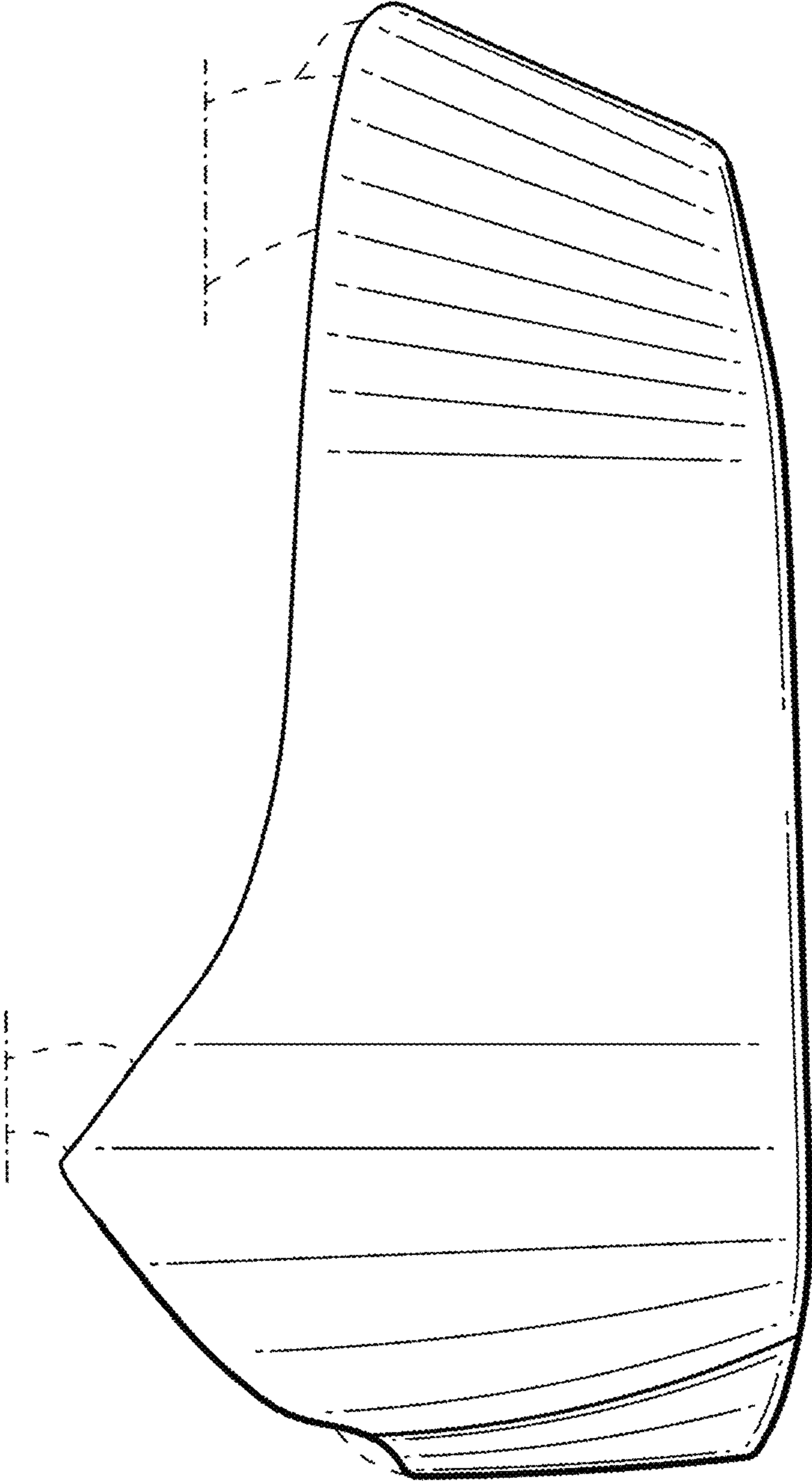


FIG. 4

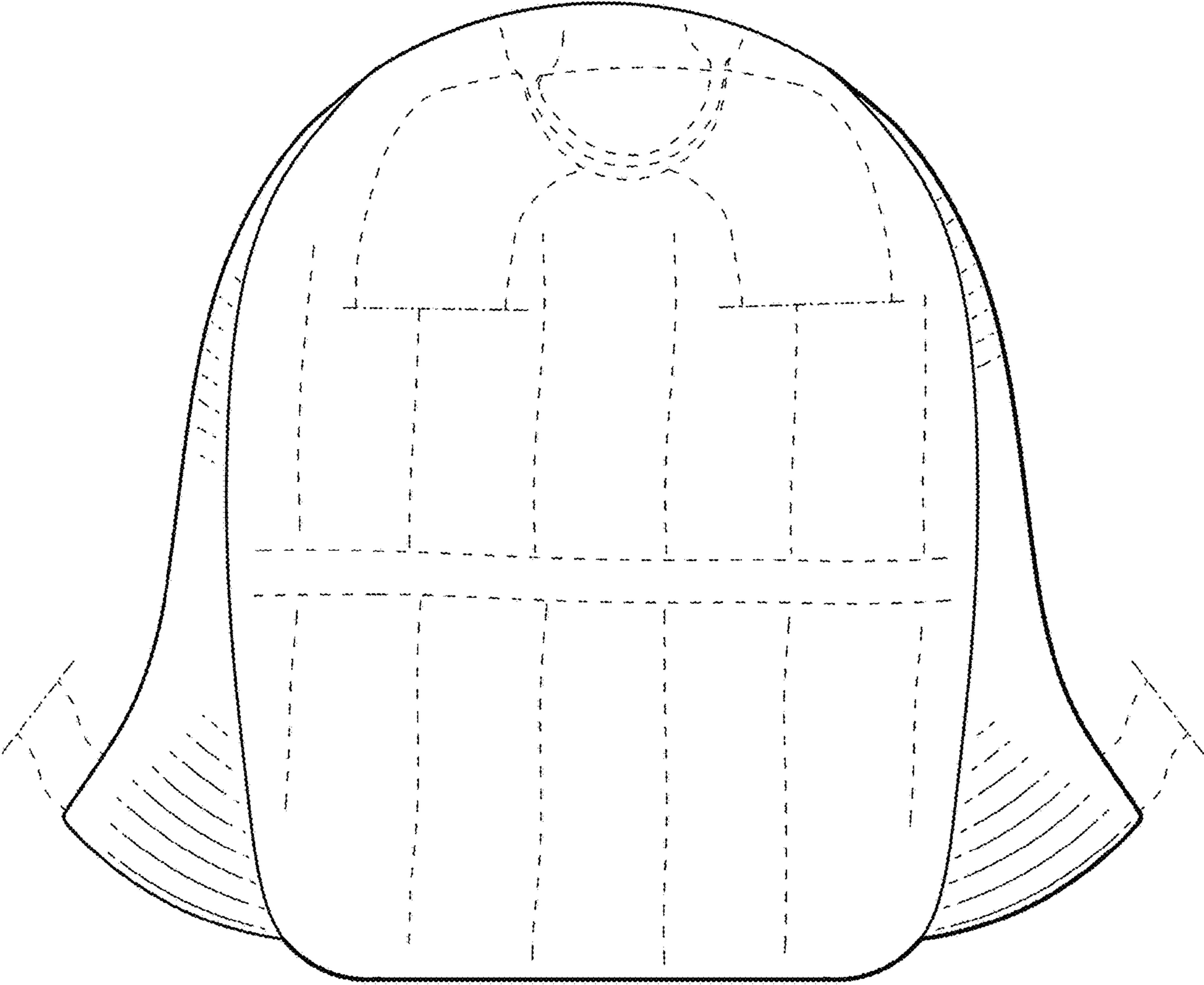


FIG. 5

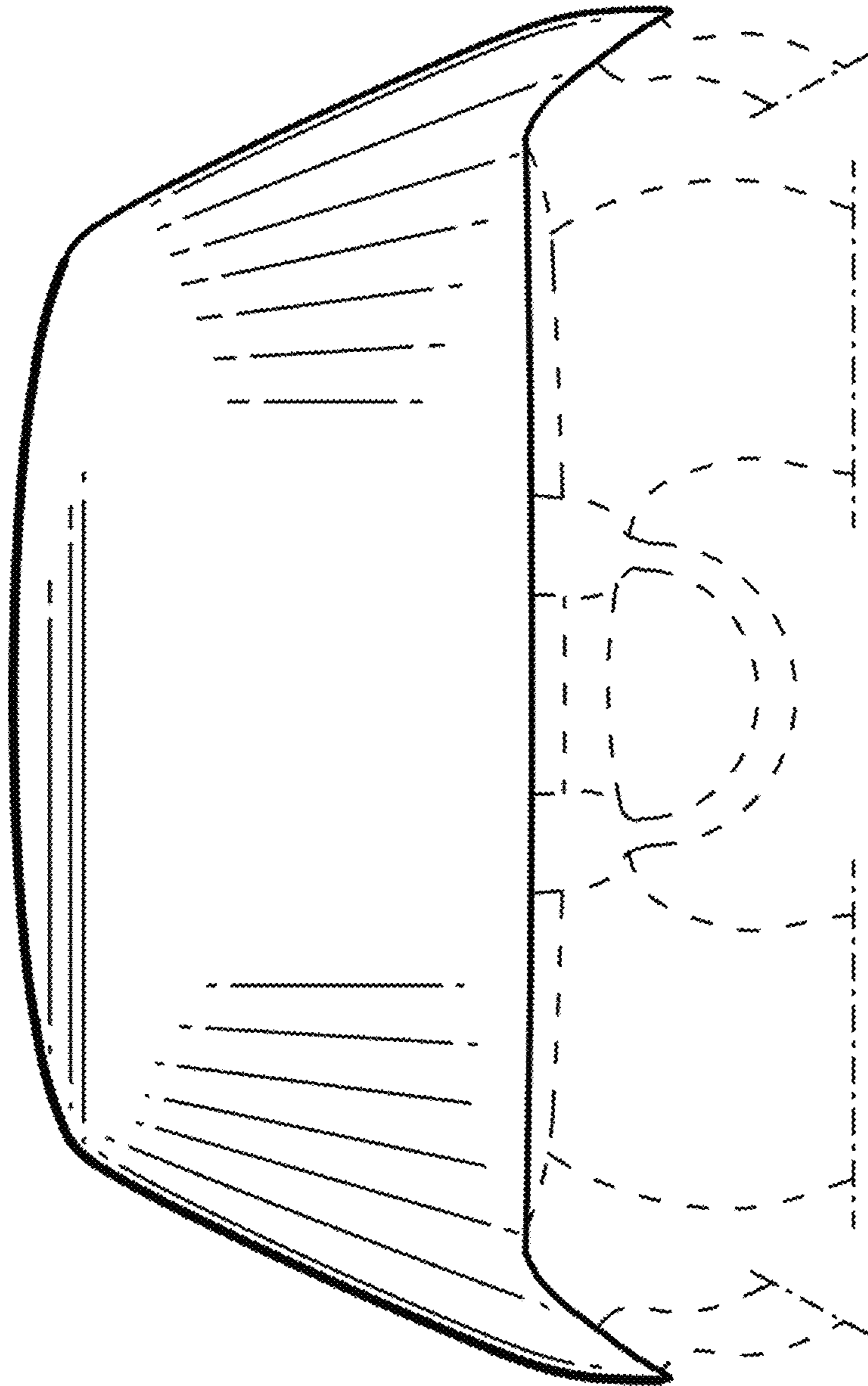


FIG. 6

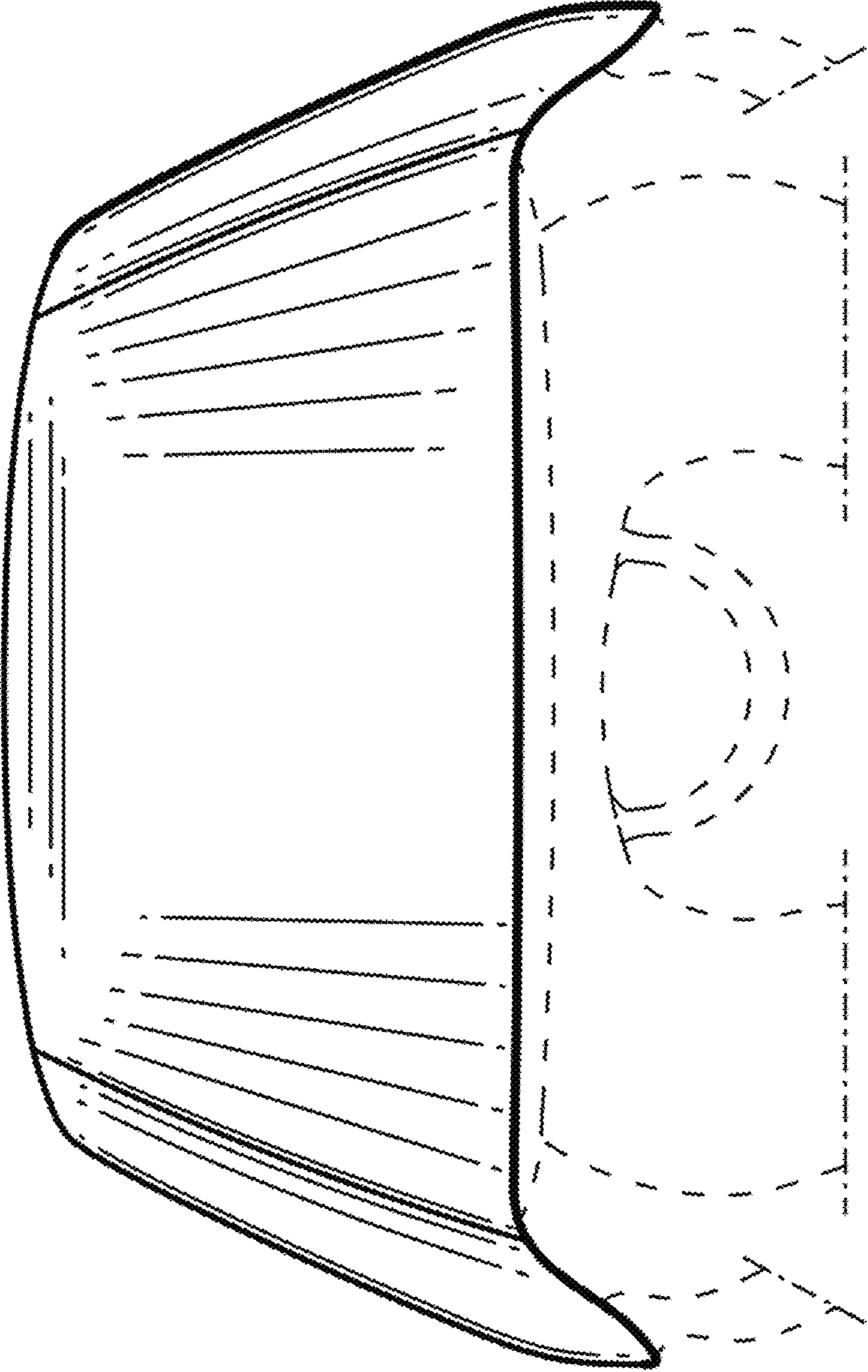


FIG. 7