



US00D889830S

(12) **United States Design Patent**  
**Gao**

(10) **Patent No.:** **US D889,830 S**

(45) **Date of Patent:** **\*\* Jul. 14, 2020**

- (54) **FIREWOOD BAG**
- (71) Applicant: **Bin Gao**, Qingdao (CN)
- (72) Inventor: **Bin Gao**, Qingdao (CN)
- (\*\*) Term: **15 Years**
- (21) Appl. No.: **29/728,344**
- (22) Filed: **Mar. 18, 2020**
- (51) **LOC (12) Cl.** ..... **03-01**
- (52) **U.S. Cl.**  
USPC ..... **D3/299**
- (58) **Field of Classification Search**  
USPC ..... D3/205, 273, 274, 275, 276, 281, 284,  
D3/292, 294-297, 299, 302, 303, 905,  
D3/901, 903  
CPC ..... A45C 5/04; A45C 11/00; A45C 11/16  
See application file for complete search history.

- 4,591,201 A \* 5/1986 Antonelli ..... A45F 5/00  
294/137
- 4,950,014 A \* 8/1990 Smith ..... A45F 5/10  
294/152
- D376,692 S \* 12/1996 Hartman ..... D3/315
- D394,929 S \* 6/1998 Ahumada ..... D34/1
- 5,823,594 A \* 10/1998 Hayes ..... A45F 5/00  
294/142
- D410,144 S \* 5/1999 Kay ..... D3/232
- D562,551 S 2/2008 Liu
- D683,137 S \* 5/2013 Davis ..... D3/315
- D717,545 S \* 11/2014 Chuang ..... D3/318
- D763,575 S \* 8/2016 Tiscareno-Rippe ..... D3/290

\* cited by examiner

*Primary Examiner* — Holly E Thurman  
(74) *Attorney, Agent, or Firm* — ZANIP

(57) **CLAIM**

The ornamental design for a firewood bag, as shown and described.

**DESCRIPTION**

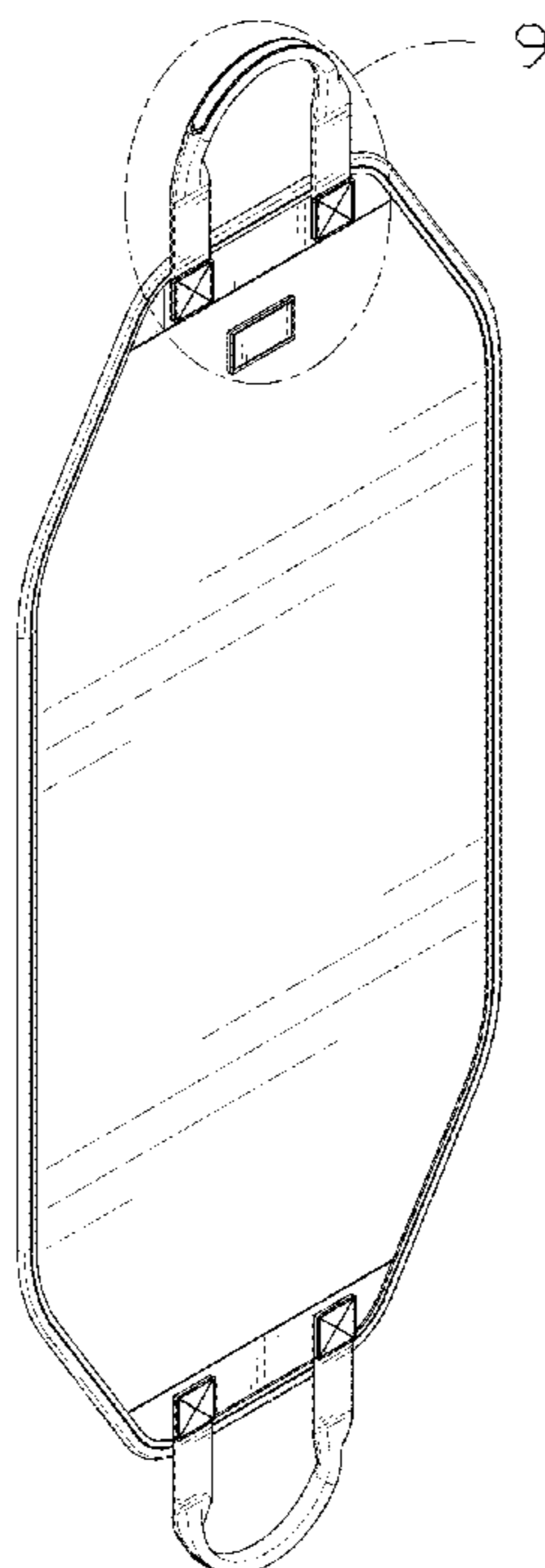
FIG. 1 is a front and top perspective view of a firewood bag, showing my new design;  
 FIG. 2 is a rear and bottom perspective view thereof;  
 FIG. 3 is a front elevational view thereof;  
 FIG. 4 is a rear elevational view thereof;  
 FIG. 5 is a left side elevational view thereof;  
 FIG. 6 is a right side elevational view thereof;  
 FIG. 7 is a top plan view thereof;  
 FIG. 8 is a bottom plan view thereof; and,  
 FIG. 9 is an enlarged view of a portion indicated in FIG. 1. The dash dot dash lines in FIGS. 1 and 9 are for the purpose of depicting the cut line of the enlarged view and form no part of the claim.

**1 Claim, 9 Drawing Sheets**

(56) **References Cited**

U.S. PATENT DOCUMENTS

- 1,373,136 A \* 3/1921 Kranz ..... A45C 3/02  
294/138
- 1,559,046 A \* 10/1925 McLeran ..... A45C 7/0095  
294/152
- 1,627,583 A \* 5/1927 Thum ..... A47G 23/065  
294/151
- 1,971,322 A \* 8/1934 Miller ..... A45F 5/10  
294/152
- 2,848,149 A \* 8/1958 Ward ..... F24B 15/04  
294/142
- 3,481,519 A \* 12/1969 Snetselaar ..... A45F 5/10  
294/152
- D267,623 S \* 1/1983 Giesz, Jr. .... D23/410
- D268,223 S \* 3/1983 Faulkner ..... D3/315



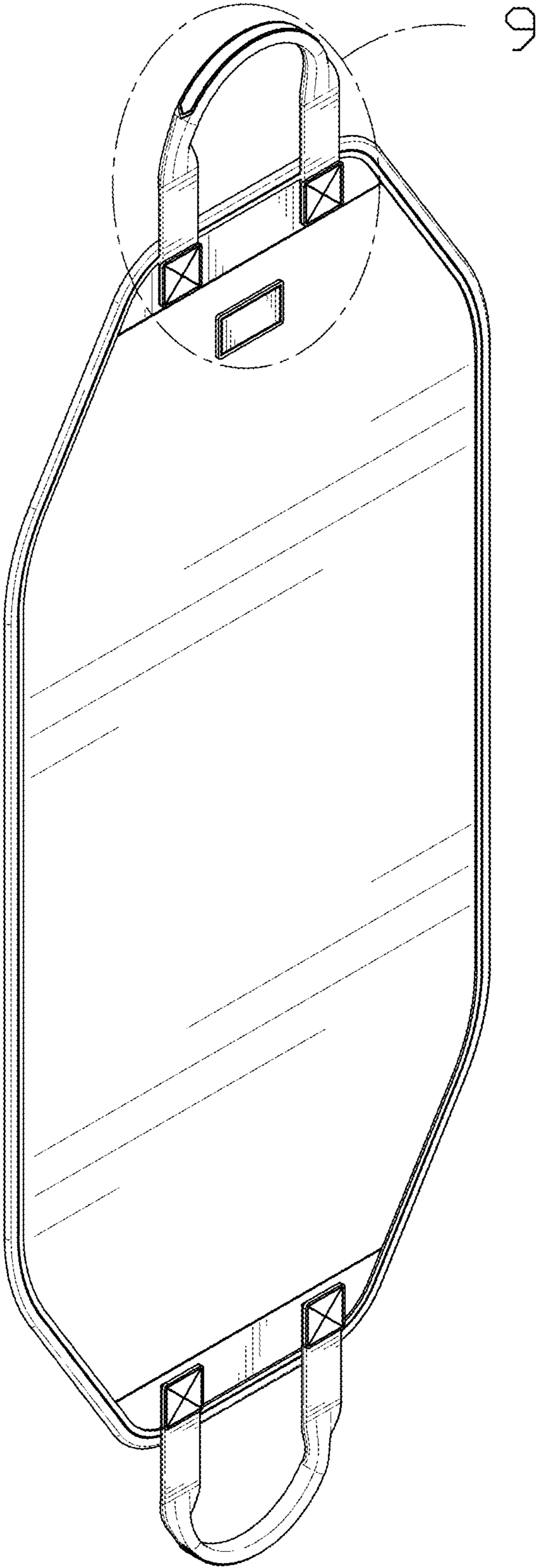


FIG. 1

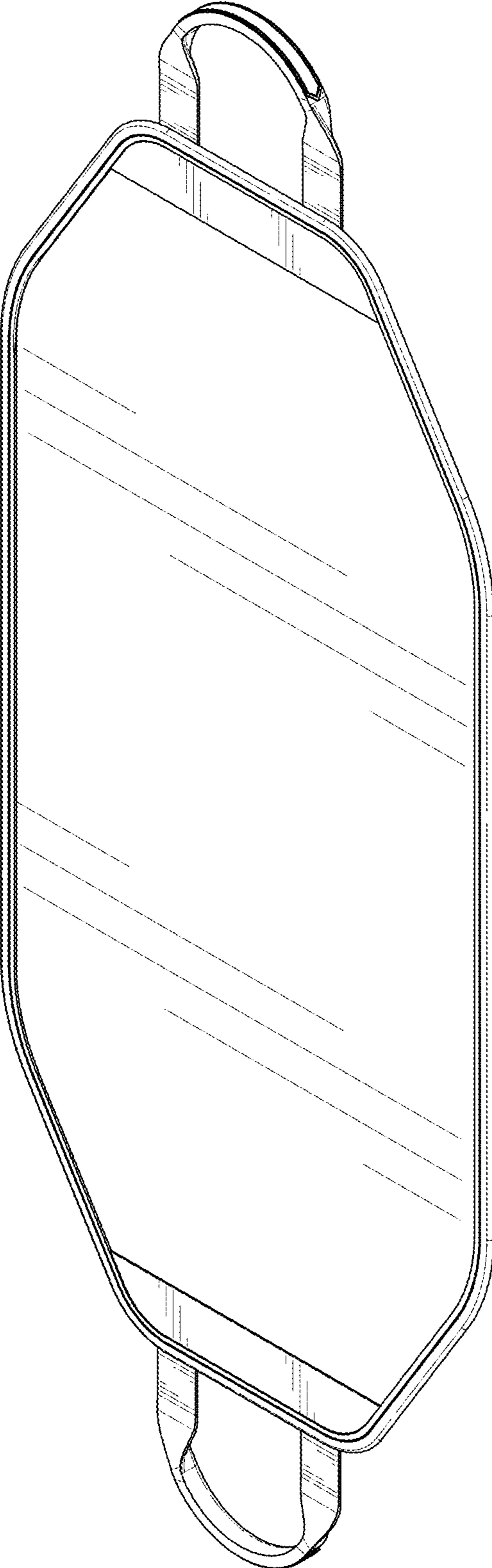


FIG. 2

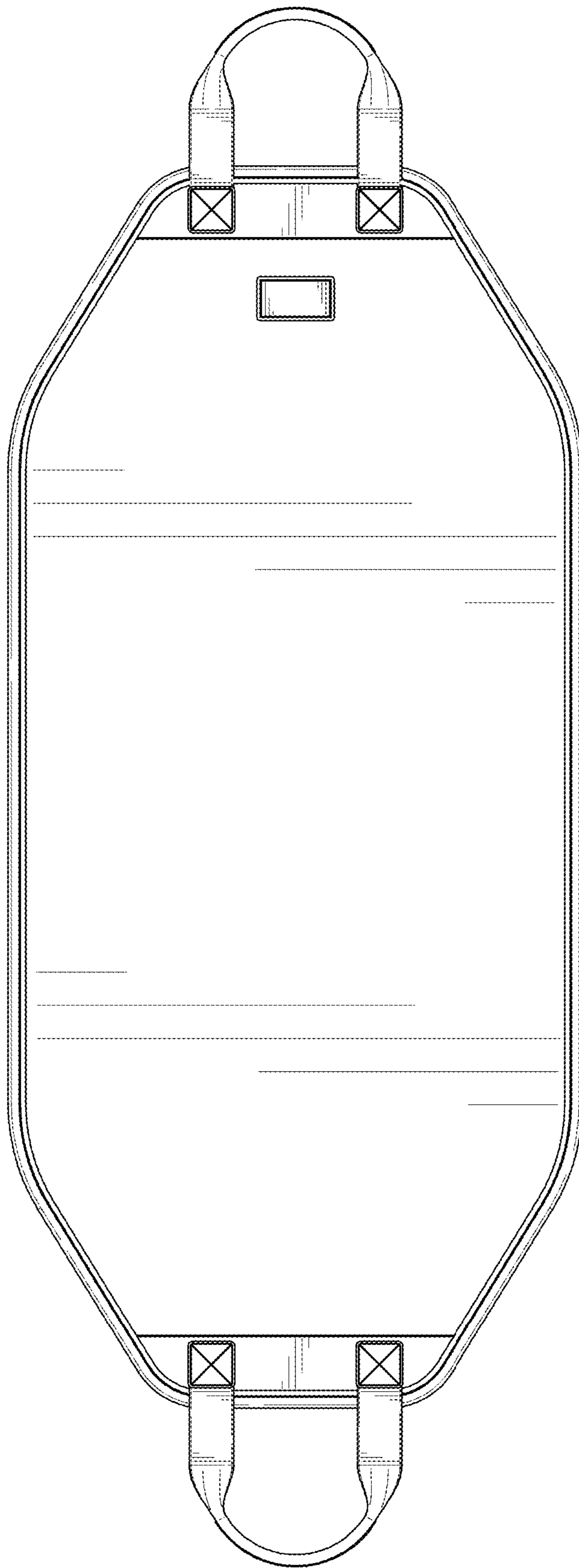


FIG. 3

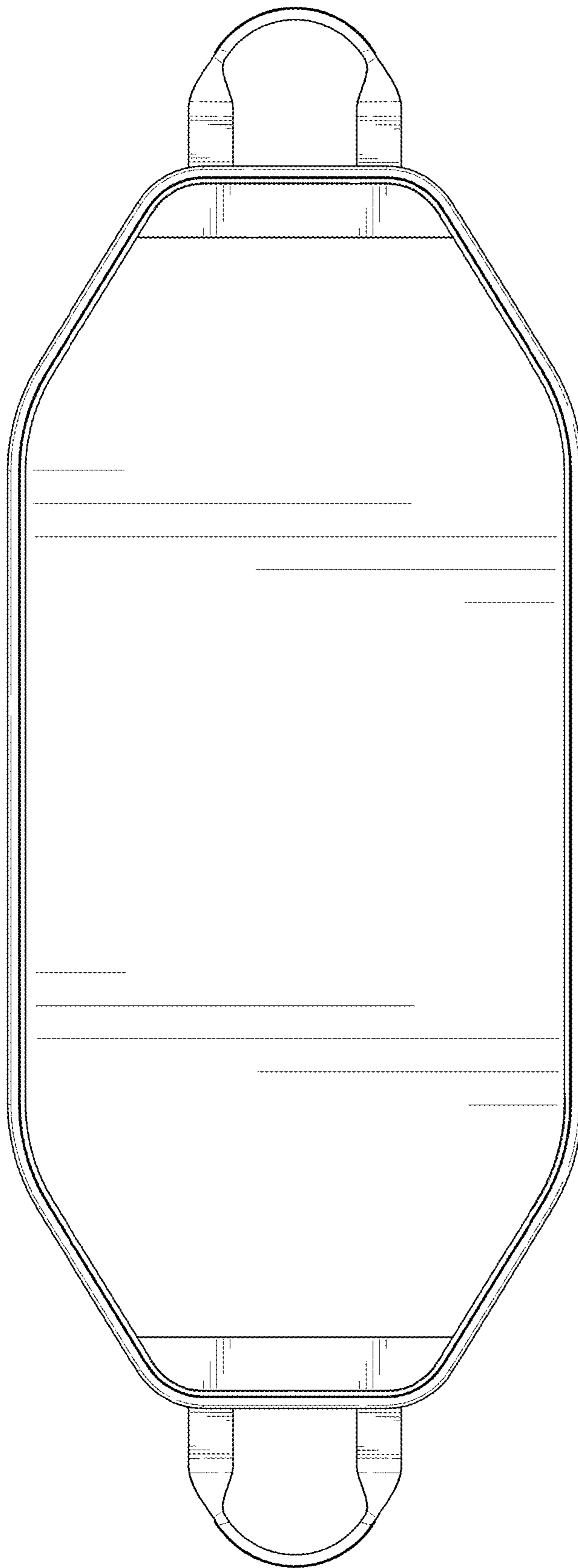


FIG. 4

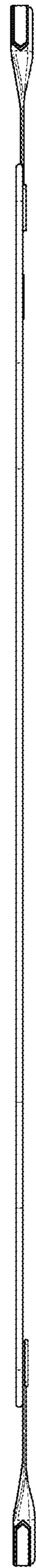


FIG. 5



FIG. 6

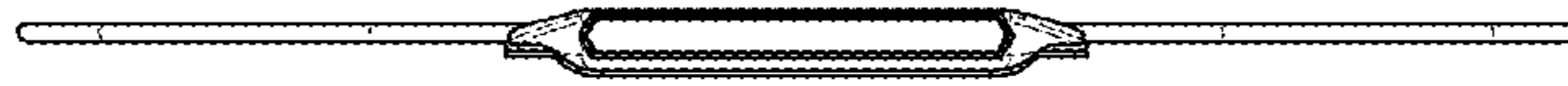


FIG. 7





FIG. 8

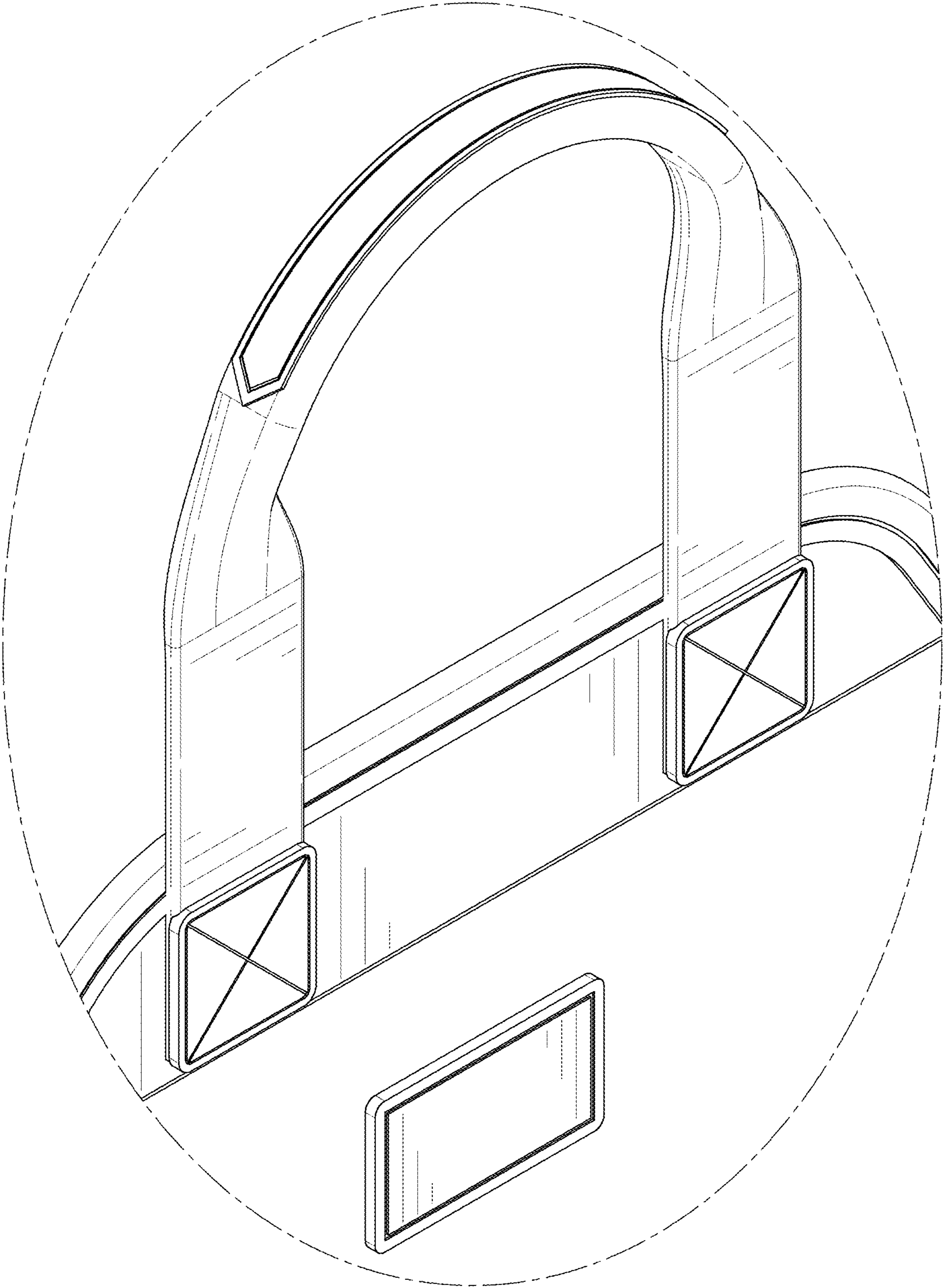


FIG. 9