



US00D889829S

(12) **United States Design Patent**
Thibadeau

(10) **Patent No.:** **US D889,829 S**
(45) **Date of Patent:** **** Jul. 14, 2020**

(54) **BAG**

(71) Applicant: **Thule Sweden AB**, Hillerstorp (SE)
(72) Inventor: **Mark Thibadeau**, Boulder, CO (US)
(73) Assignee: **Thule Sweden AB**, Hillerstorp (SE)
(**) Term: **15 Years**

(21) Appl. No.: **29/659,066**

(22) Filed: **Aug. 6, 2018**

(51) **LOC (12) Cl.** **03-01**

(52) **U.S. Cl.**
USPC **D3/283**; D3/287; D3/289

(58) **Field of Classification Search**
USPC D3/201, 205, 226, 247, 250, 273, 274,
D3/276, 278, 283, 284, 285, 289, 290,
D3/299, 301, 905, 243, 246, 287
CPC A45C 3/00; A45C 3/004; A45C 2003/008;
A45C 5/06; A45C 3/04; A45C 13/00;
A45C 11/00; A45C 2009/007; A45C
3/02; A45C 2011/003; A45F 2004/023
See application file for complete search history.

(56) **References Cited**

U.S. PATENT DOCUMENTS

D116,165 S *	8/1939	Kaufmann	D3/283
D390,004 S *	2/1998	Tawil	D3/232
D417,782 S *	12/1999	Tawil	D3/283
D441,533 S *	5/2001	Tawil	D3/276
D445,252 S *	7/2001	Klamm	D3/276
D505,012 S *	5/2005	Godshaw	D3/287
D543,028 S *	5/2007	Dumas	D3/246
D548,965 S *	8/2007	Aliberti	D3/283
D588,809 S *	3/2009	Shor	D3/287
D596,398 S *	7/2009	Chu	D3/283
D623,857 S *	9/2010	Austin	D3/289
D655,084 S *	3/2012	Shor	D3/276
2004/0045781 A1 *	3/2004	Scicluna	A45C 13/42 190/110

OTHER PUBLICATIONS

Amazon, "Thule Crossover 2 Laptop Bag 13.3", First for sale Oct. 1, 2018. (<https://www.amazon.com/Thule-Crossover-Laptop-Bag-13-3/dp/B07HXX9TMC>) (Year: 2018).
Amazon, "Thule Crossover 40-Litre Duffel Pack by Thule," Amazon.com, Feb. 24, 2012, Available here <https://www.amazon.com/Thule-Crossover-Liter-Duffel-Pack/dp/B002ZHCV6W/ref=sr_1_1?ie=UTF8&qid=1542227011&sr=8-1&keywords=Thule+Crossover+40-Litre+Duffel+Pack&dpID=51znsXwX7wL&preST=_SY300_QL70_&dpSrc=srch>.
Amazon, "Thule Crossover 38-Litre Rolling Carry-On by Thule," Amazon.com, Mar. 16, 2013, Available here <https://www.amazon.com/Thule-3201502-Crossover-Compartment-TCRU-115/dp/B007S0P4XS/ref=sr_1_2?ie=UTF8&qid=1542227049&sr=8-2&keywords=thule+crossover+38-litre+rolling+carry-on&dpID=51T1IxCGnEL&preST=_SY300_QL70_&dpSrc=srch>.

* cited by examiner

Primary Examiner — April Rivas
(74) *Attorney, Agent, or Firm* — Sterne, Kessler, Goldstein & Fox P.L.L.C.

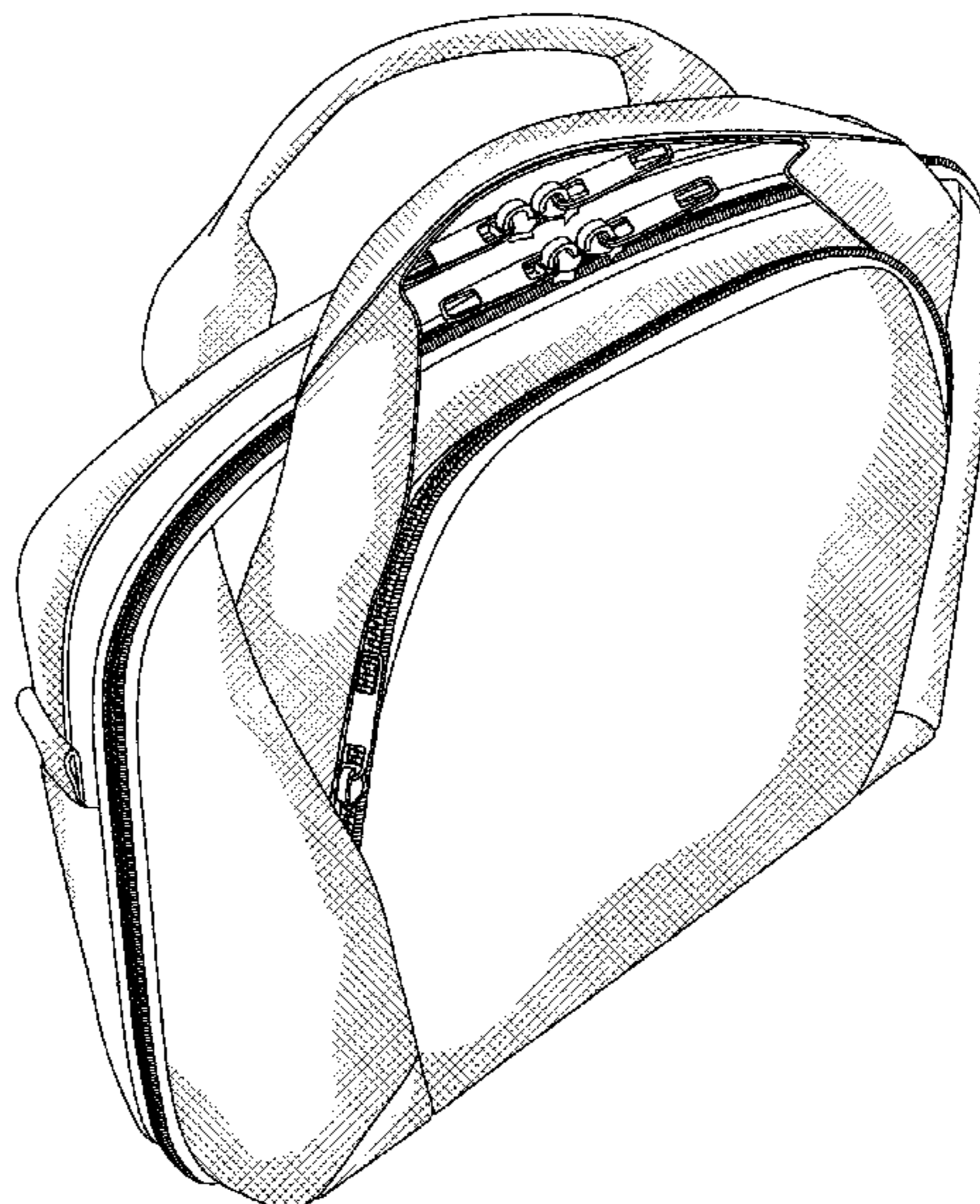
(57) **CLAIM**

The ornamental design for a bag, as shown and described.

DESCRIPTION

FIG. 1 is a top front perspective view of a bag showing the claimed design;
FIG. 2 is a front view thereof;
FIG. 3 is a rear view thereof;
FIG. 4 is a left side view thereof
FIG. 5 is a right side view thereof;
FIG. 6 is a top view thereof;
FIG. 7 is a bottom view thereof; and,
FIG. 8 is a top front perspective view thereof with the shoulder strap in use for reference.
The broken lines in the figures show portions of the bag that form no part of the claimed design.

1 Claim, 8 Drawing Sheets



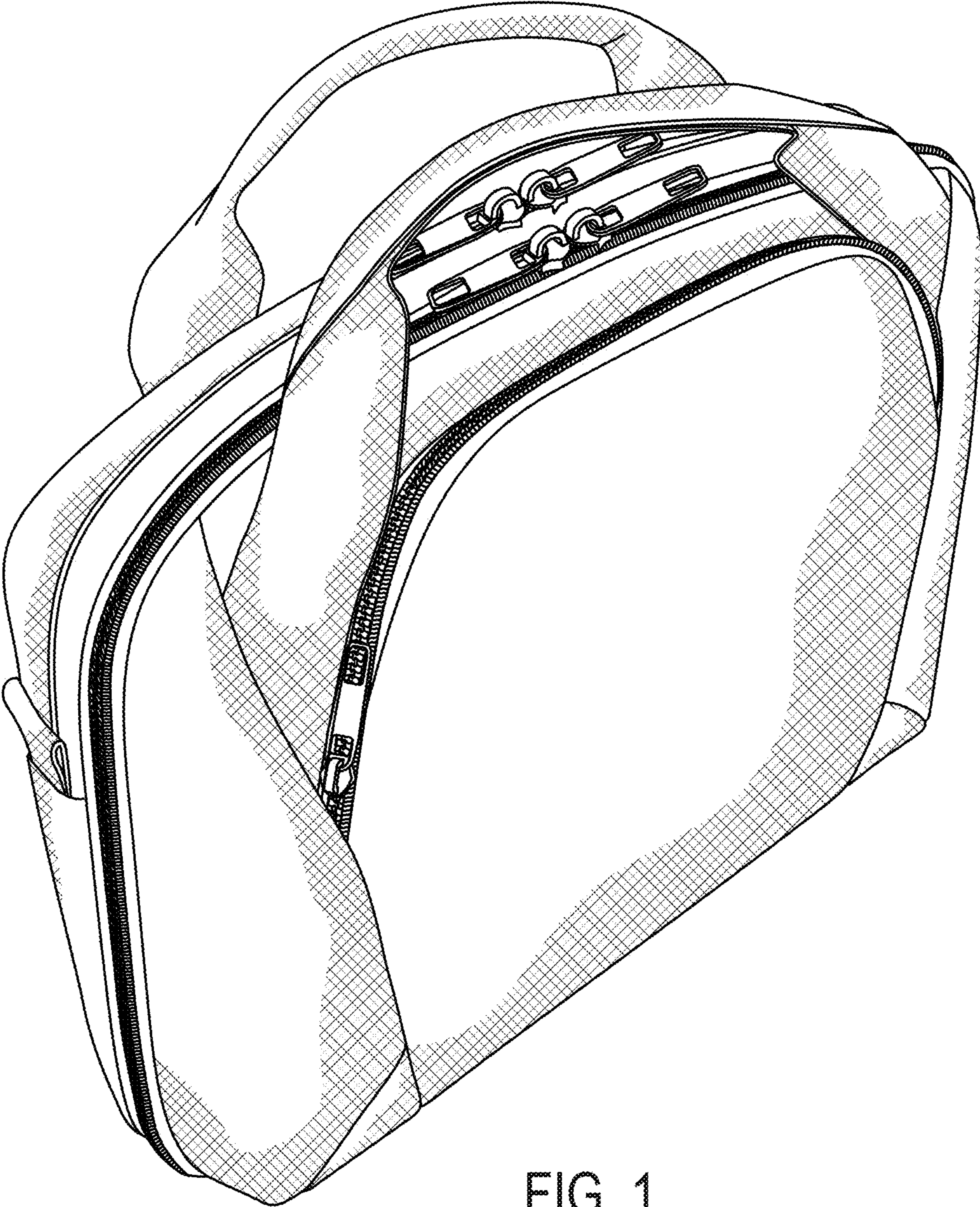


FIG. 1

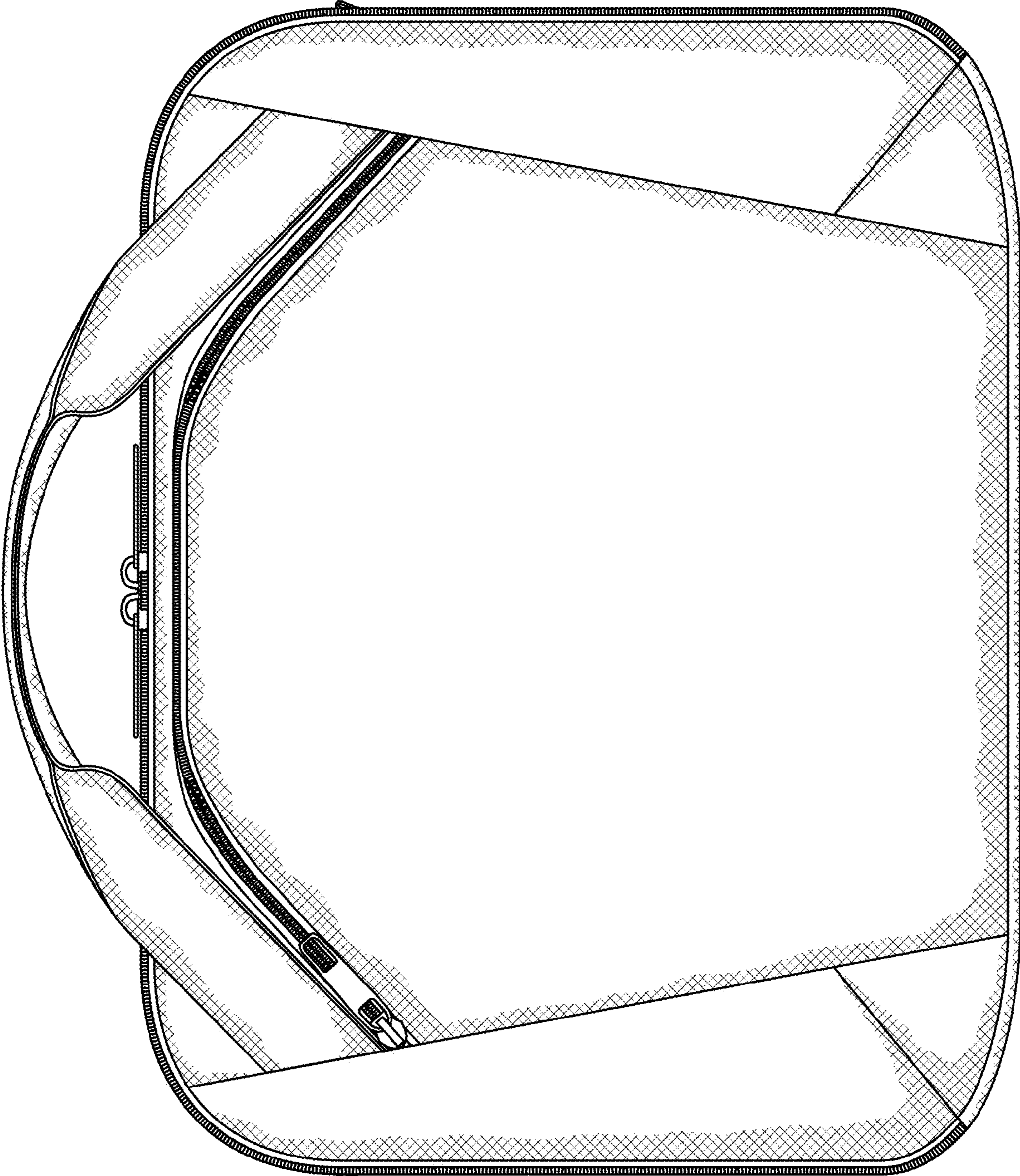


FIG. 2

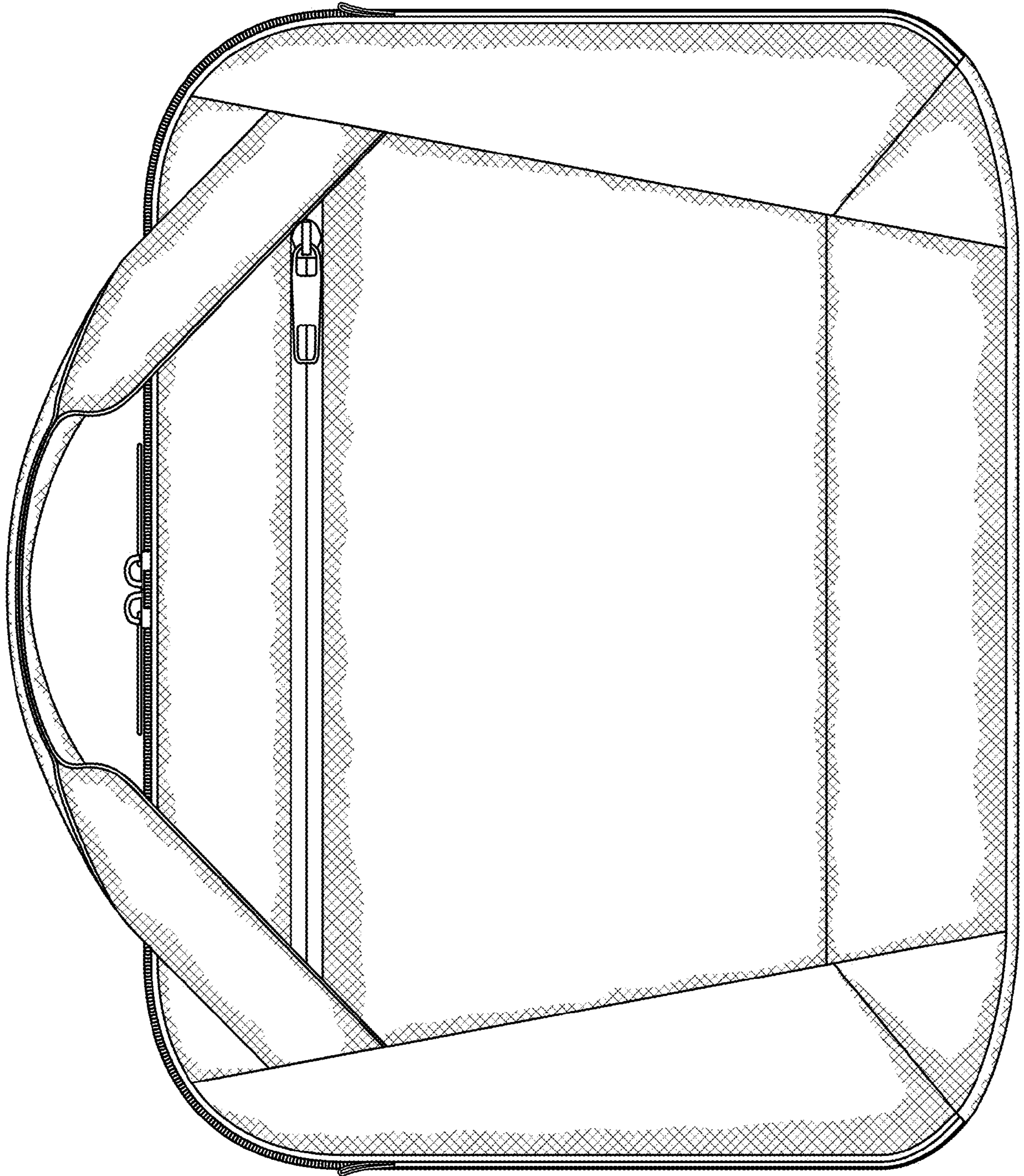


FIG. 3

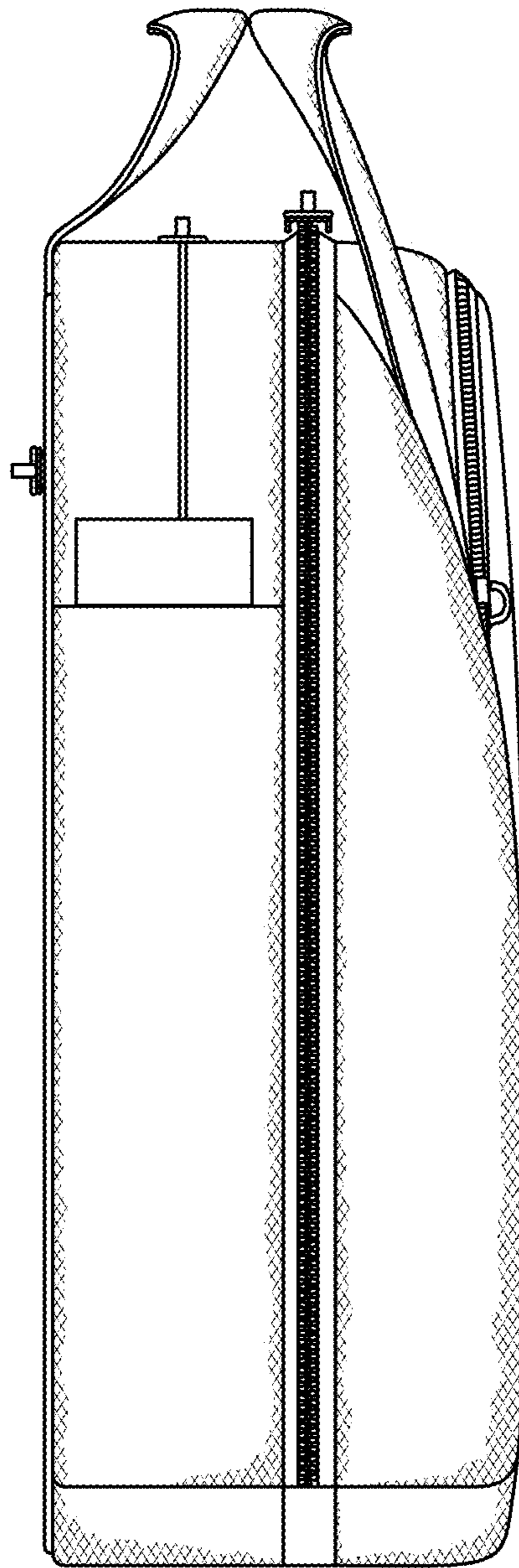


FIG. 4

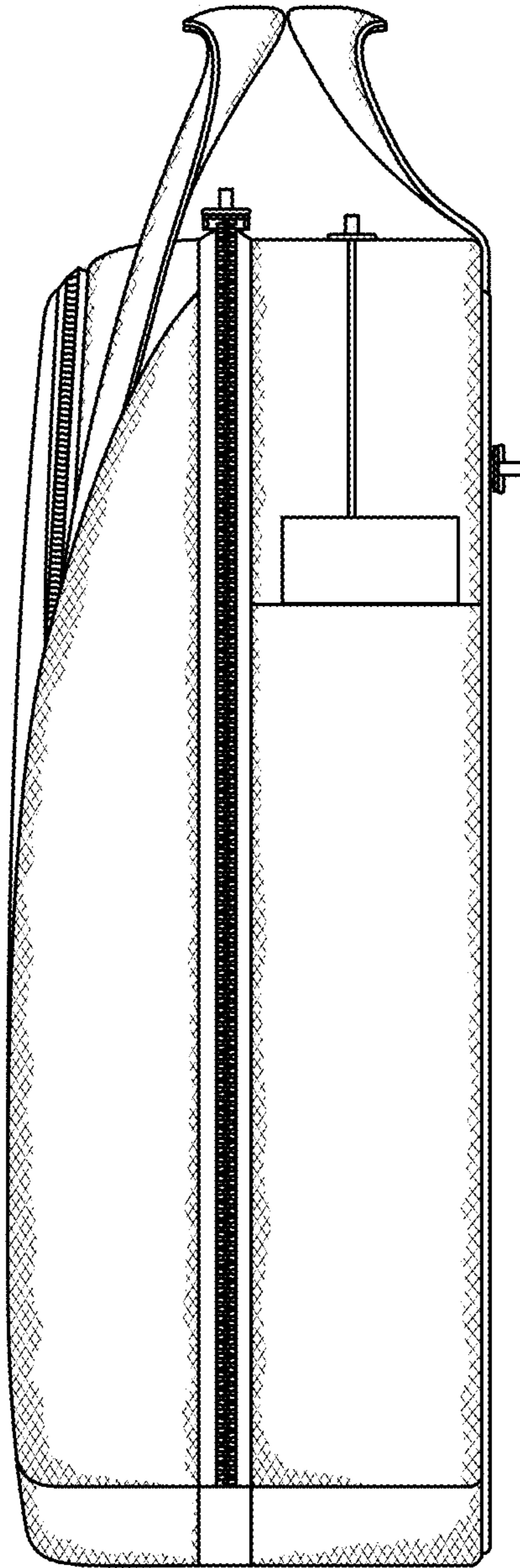


FIG. 5

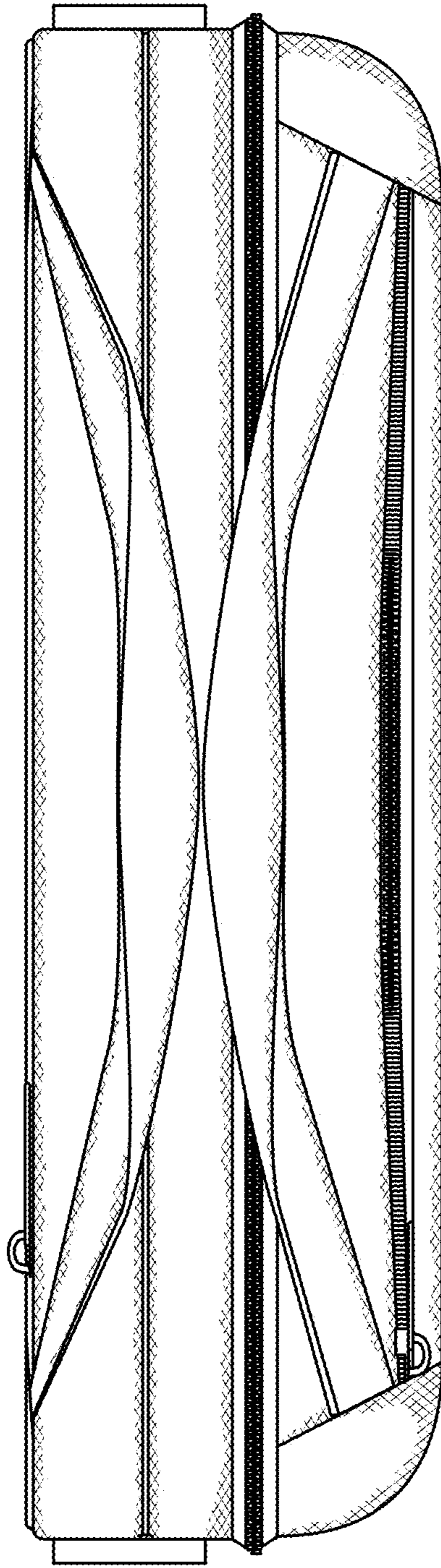


FIG. 6

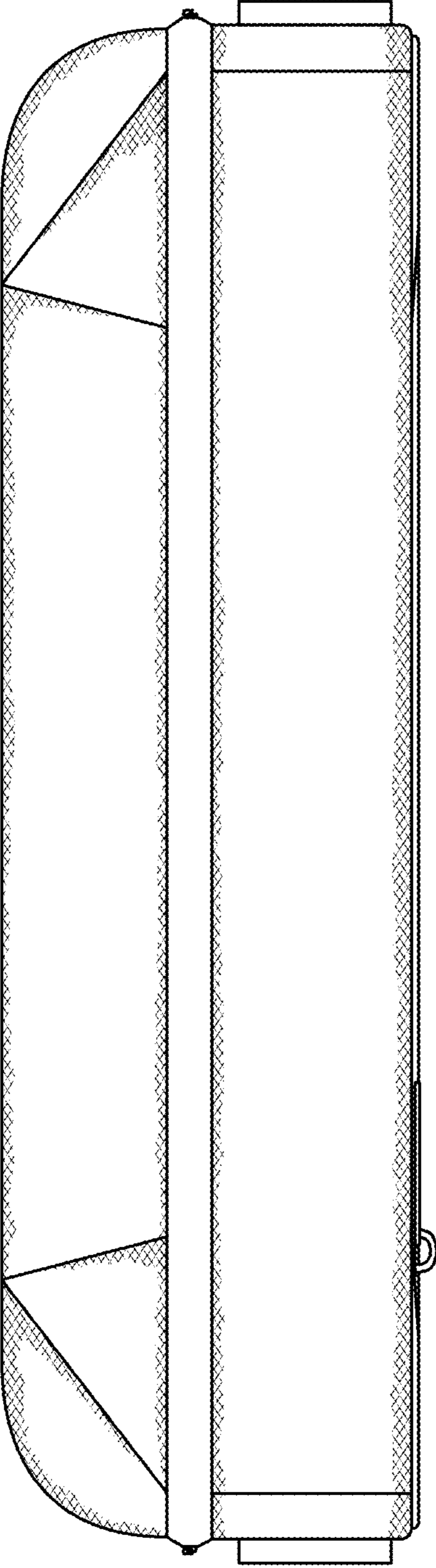


FIG. 7

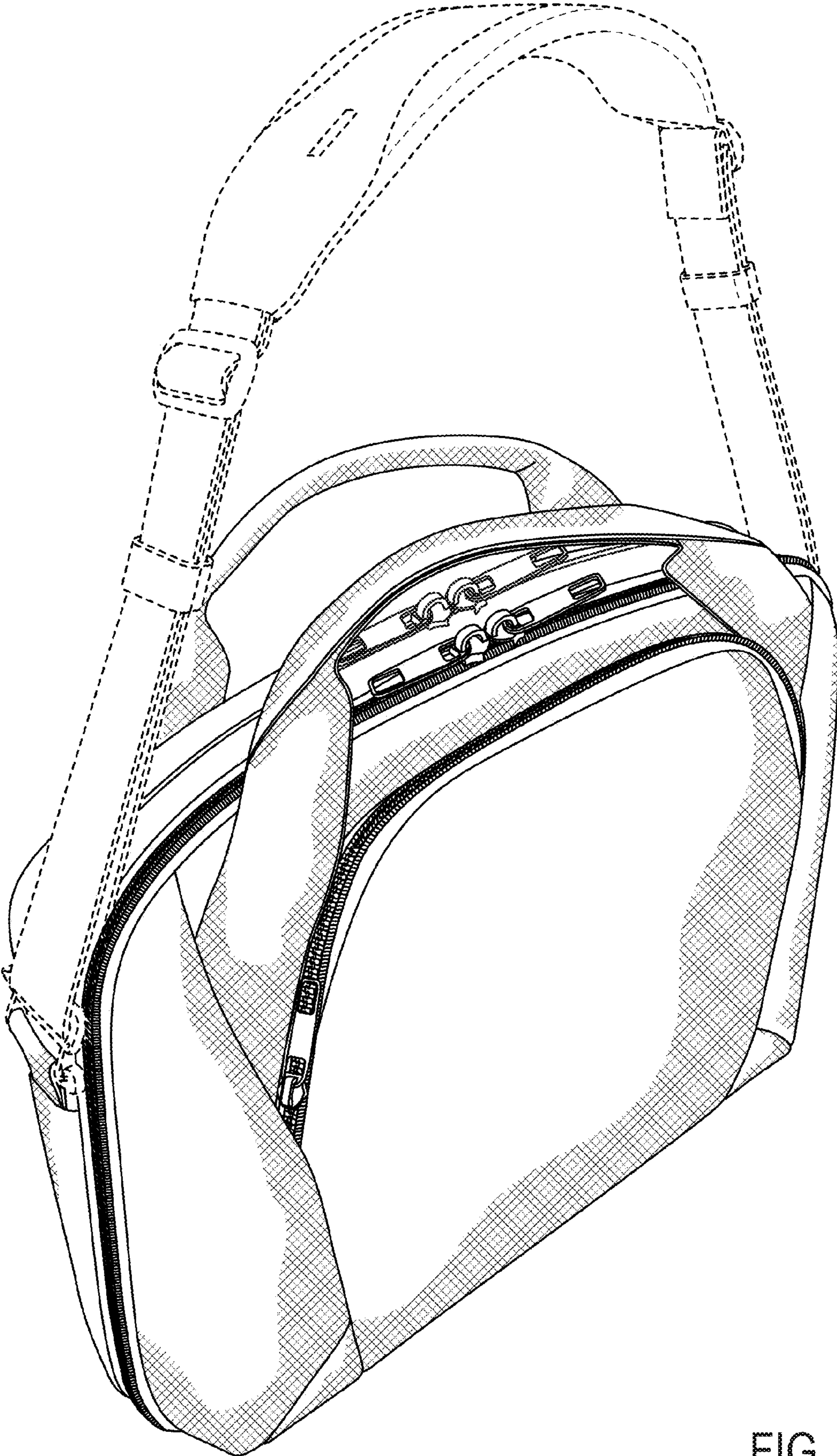


FIG. 8