



US00D889828S

(12) **United States Design Patent**
Georgi

(10) **Patent No.:** **US D889,828 S**
(45) **Date of Patent:** **** Jul. 14, 2020**

- (54) **SUITCASE**
- (71) Applicant: **STAR-TAGS GmbH**, München (DE)
- (72) Inventor: **Bernd Georgi**, München (DE)
- (73) Assignee: **STAR-TAGS GmbH**, Munich (DE)
- (**) Term: **15 Years**
- (21) Appl. No.: **29/658,708**
- (22) Filed: **Aug. 2, 2018**
- (51) **LOC (12) Cl.** **03-01**
- (52) **U.S. Cl.**
USPC **D3/279**; D3/294
- (58) **Field of Classification Search**
USPC D3/273, 274, 276, 279, 281, 289, 321,
D3/900, 902, 294
CPC A45C 5/00; A45C 2003/008; A45C 3/02;
A45C 5/03; A45C 2005/032; A45C
2005/035; A45C 2005/037; A45C 5/06;
A45C 5/14; A45C 2005/142; A45C
2200/20; A45C 3/12
See application file for complete search history.

D765,972 S * 9/2016 Daniel D3/274
D836,909 S * 1/2019 Karl D3/279
2019/0059539 A1* 2/2019 Russell A45C 9/00

OTHER PUBLICATIONS

OPUMO, "Meet Floyd: Travel Cases Inspired by 1970s Skateboard-
ing Culture", Posted Jun. 5, 2019. ([https://www.opumo.com/magazine/
meet-floyd-travel-cases-inspired-by-1970s-skateboarding-culture/](https://www.opumo.com/magazine/meet-floyd-travel-cases-inspired-by-1970s-skateboarding-culture/)) (Year:
2019).*

* cited by examiner

Primary Examiner — April Rivas

(74) *Attorney, Agent, or Firm* — Levenfeld Pearlstein,
LLC

(57) **CLAIM**

The ornamental design for a suitcase, as shown and
described.

DESCRIPTION

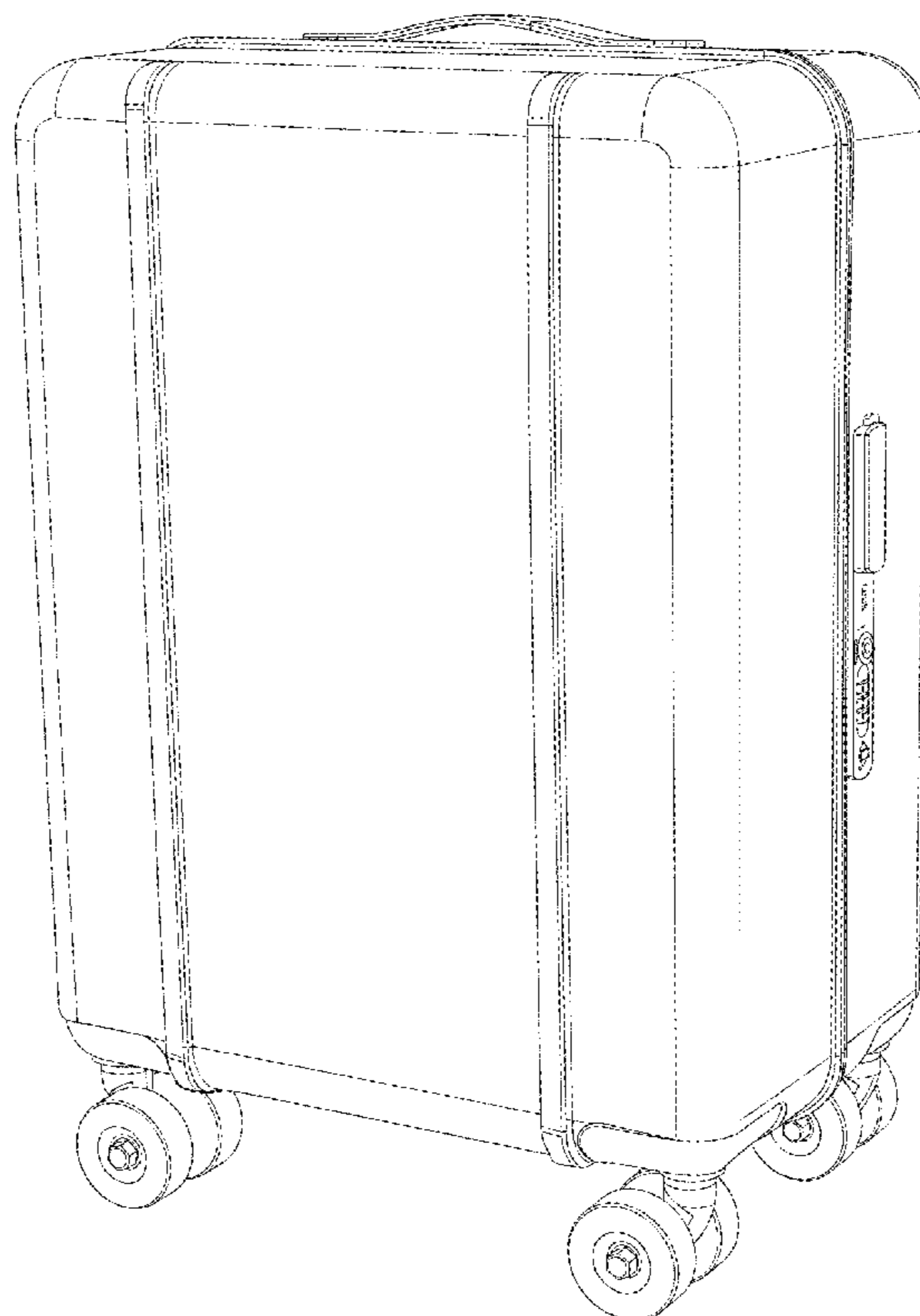
FIG. 1 is a front, right hand side perspective view of a
SUITCASE embodying my new design;
FIG. 2 is a front view thereof;
FIG. 3 is a rear view thereof;
FIG. 4 is a side view thereof as seen from the right-hand side
of FIG. 2;
FIG. 5 is a side view thereof as seen from left right-hand side
of FIG. 2;
FIG. 6 is a top view thereof;
FIG. 7 is a bottom view thereof; and,
FIG. 8 is a rear, left hand side perspective view thereof.

1 Claim, 5 Drawing Sheets

(56) **References Cited**

U.S. PATENT DOCUMENTS

D335,030 S * 4/1993 Alfonso D3/279
D677,050 S * 3/2013 Saba D3/276
D702,941 S * 4/2014 Frahm D3/276
D718,051 S * 11/2014 Frahm D3/279
D762,977 S * 8/2016 Xu D3/279



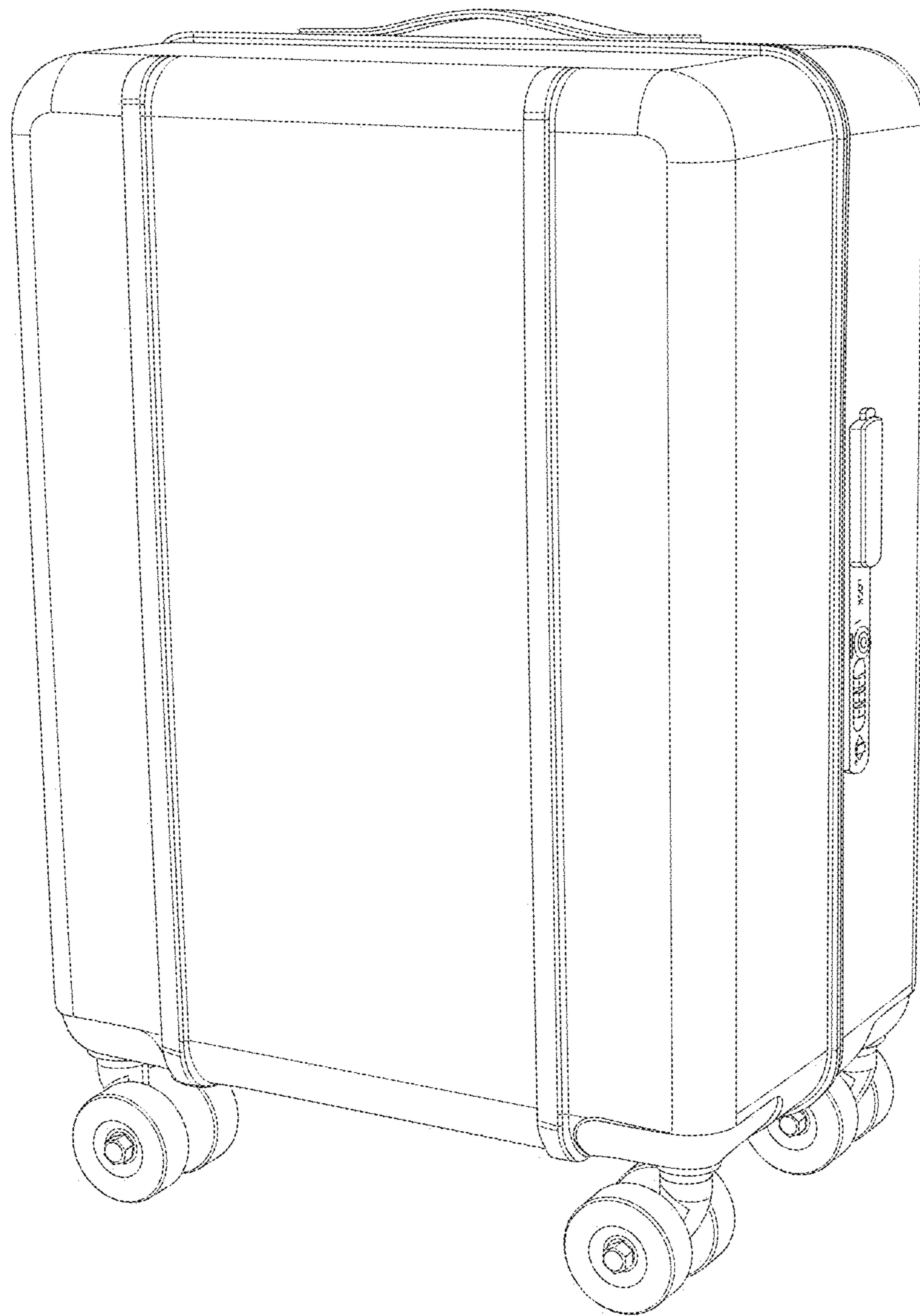


FIG. 1

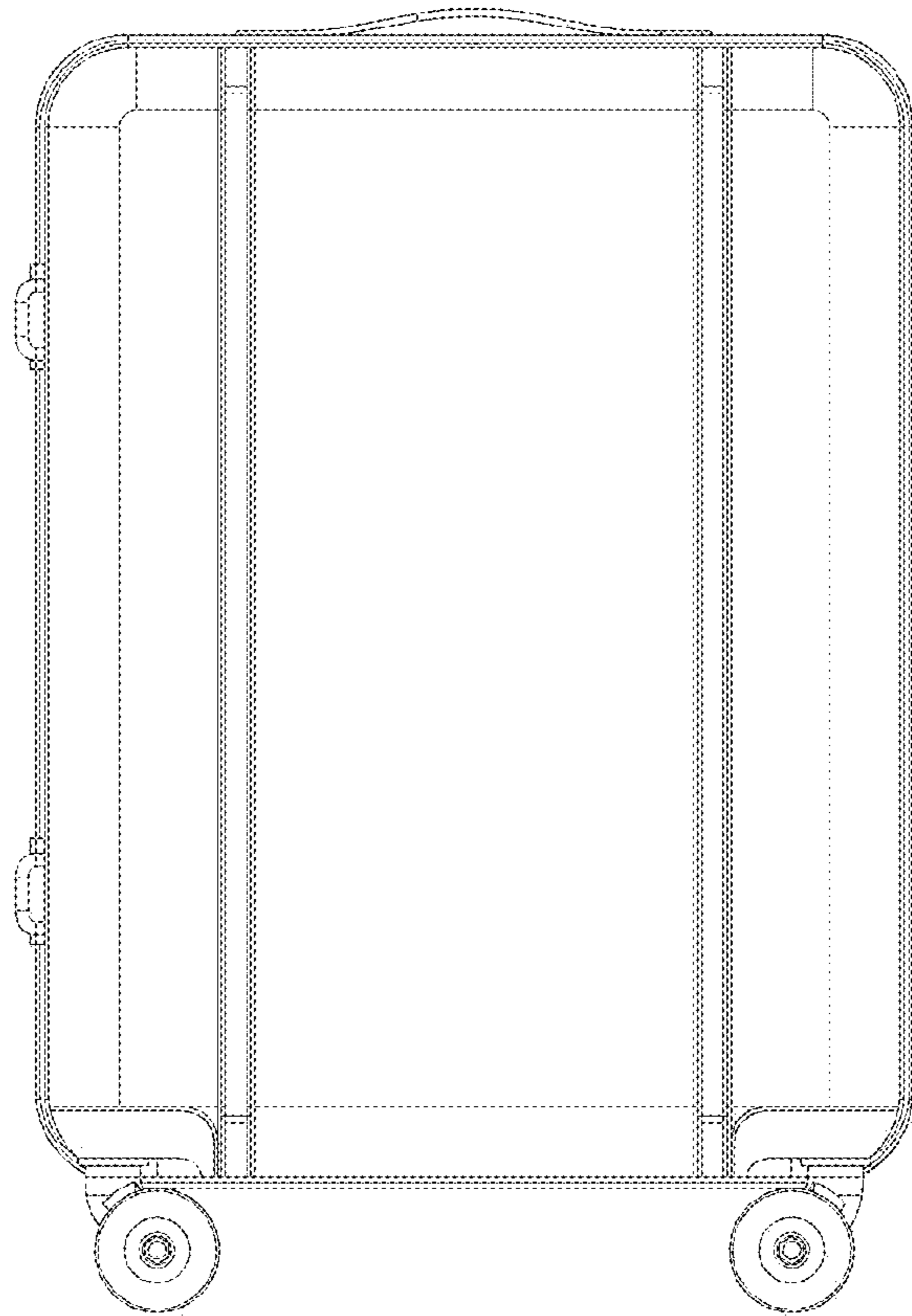


FIG. 2

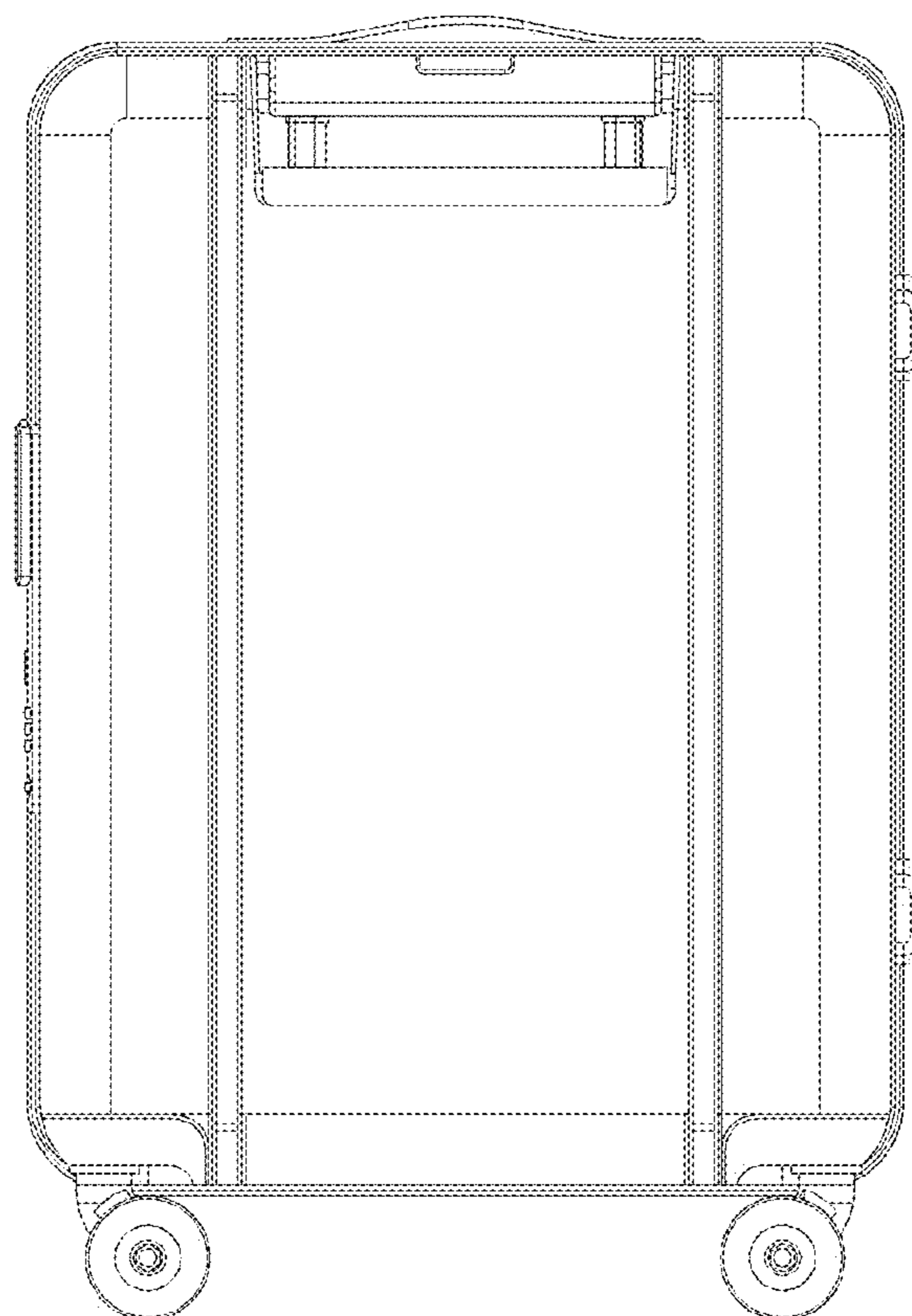


FIG. 3

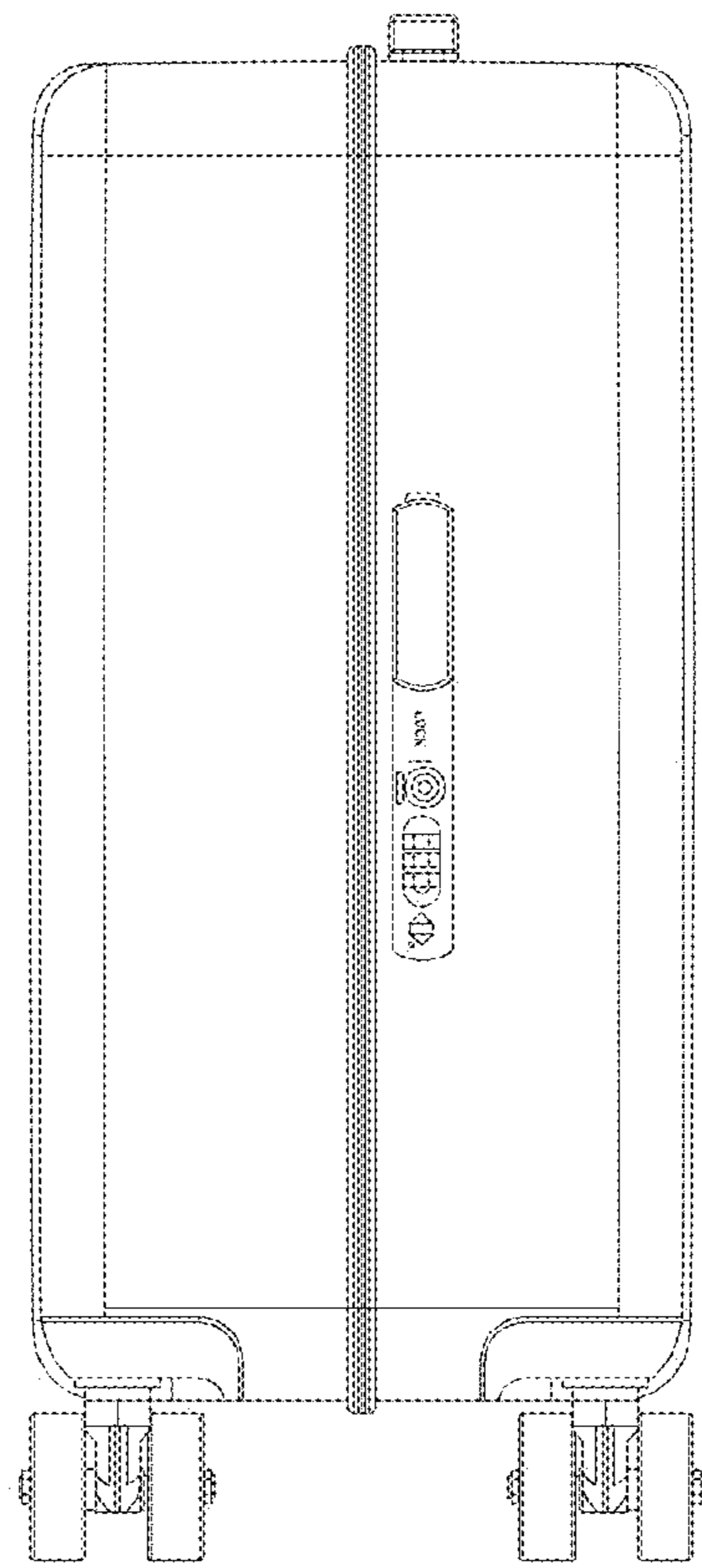


FIG. 4

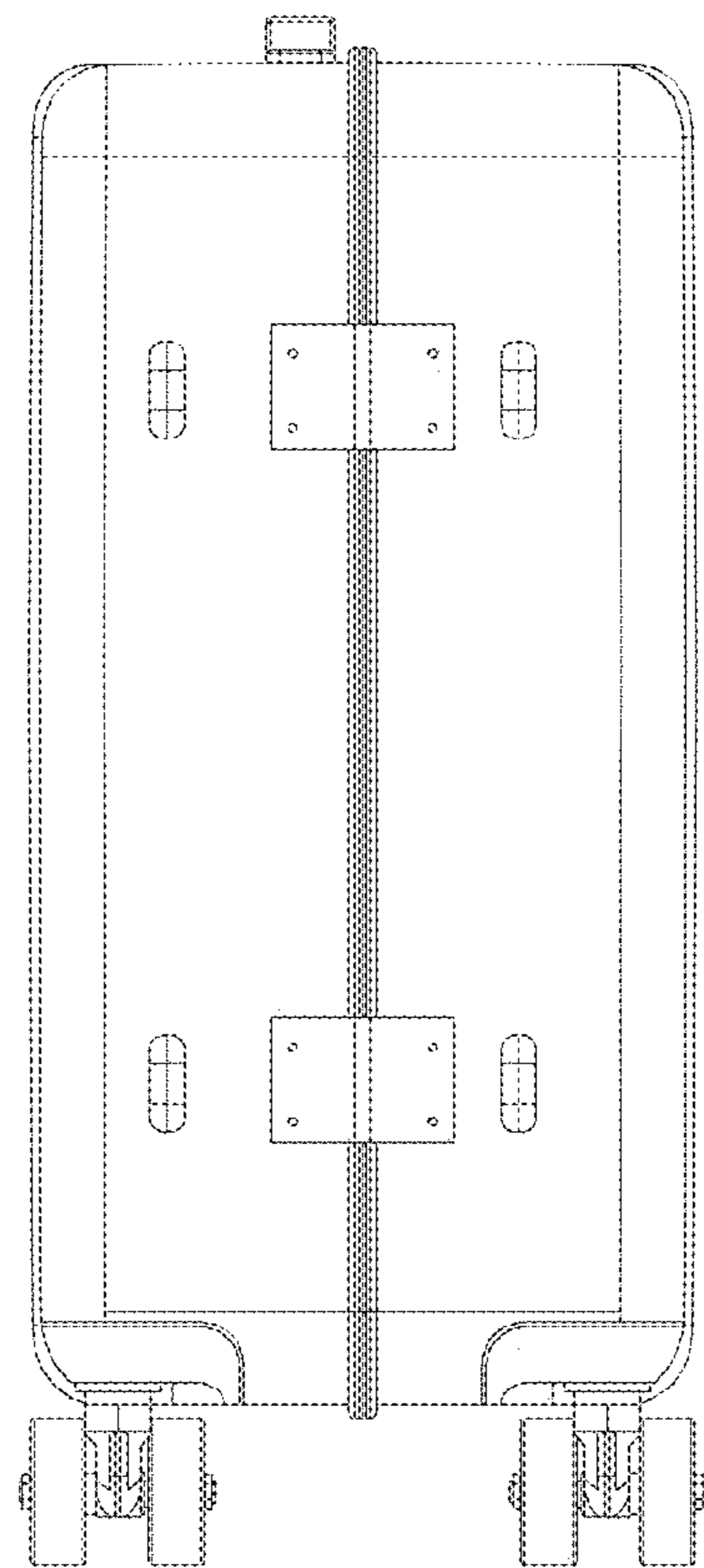


FIG. 5

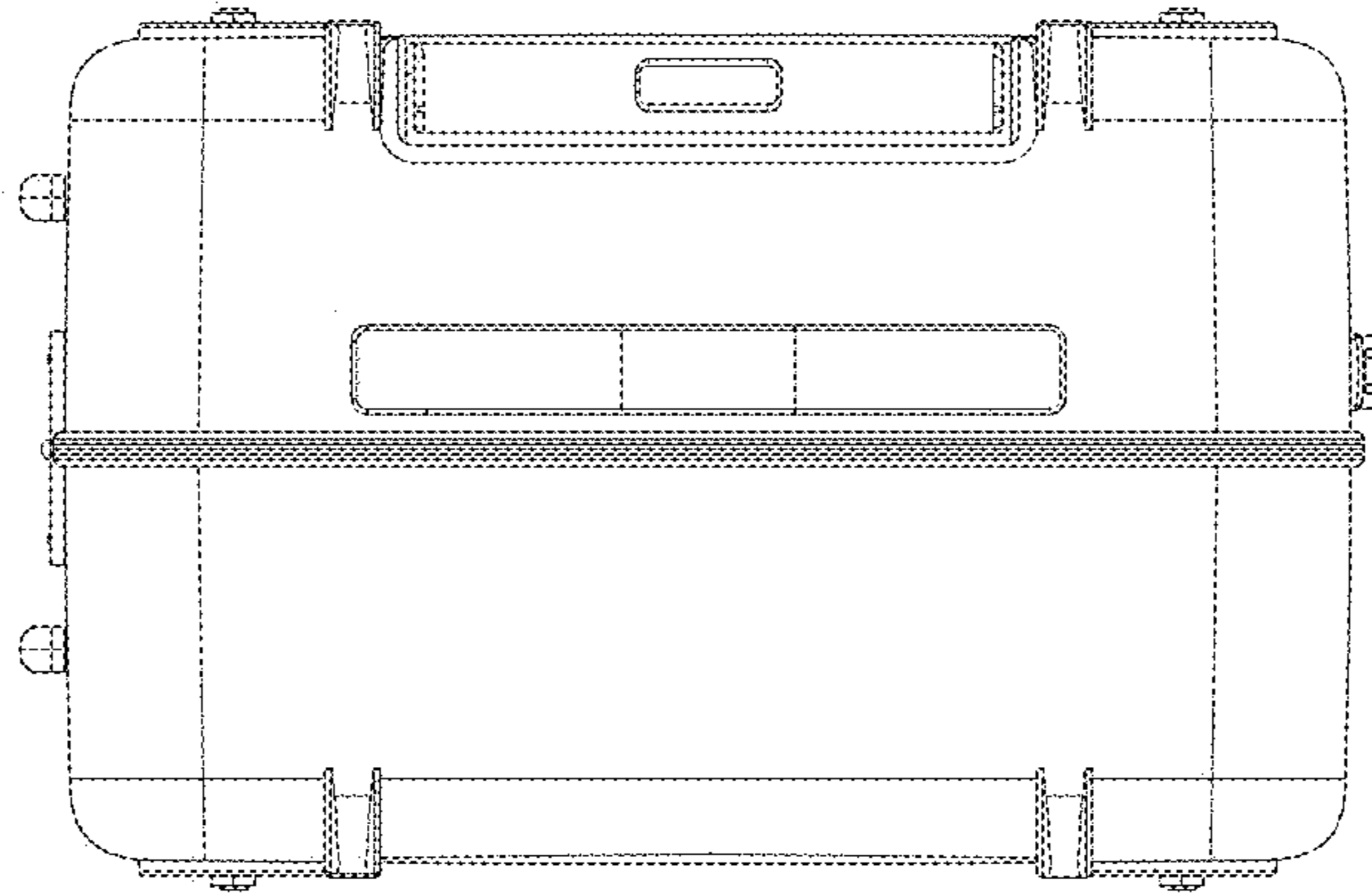


FIG. 6

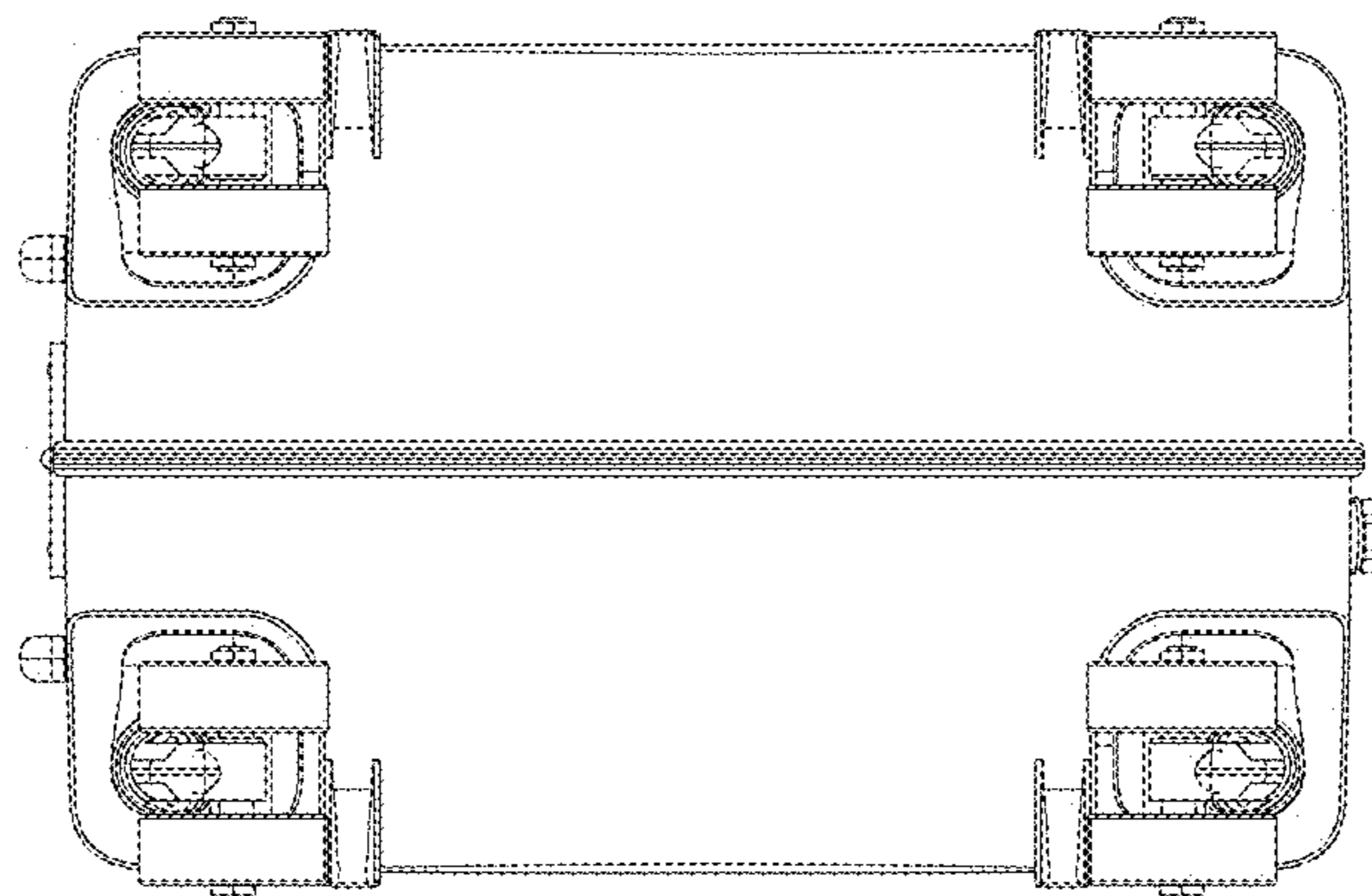


FIG. 7

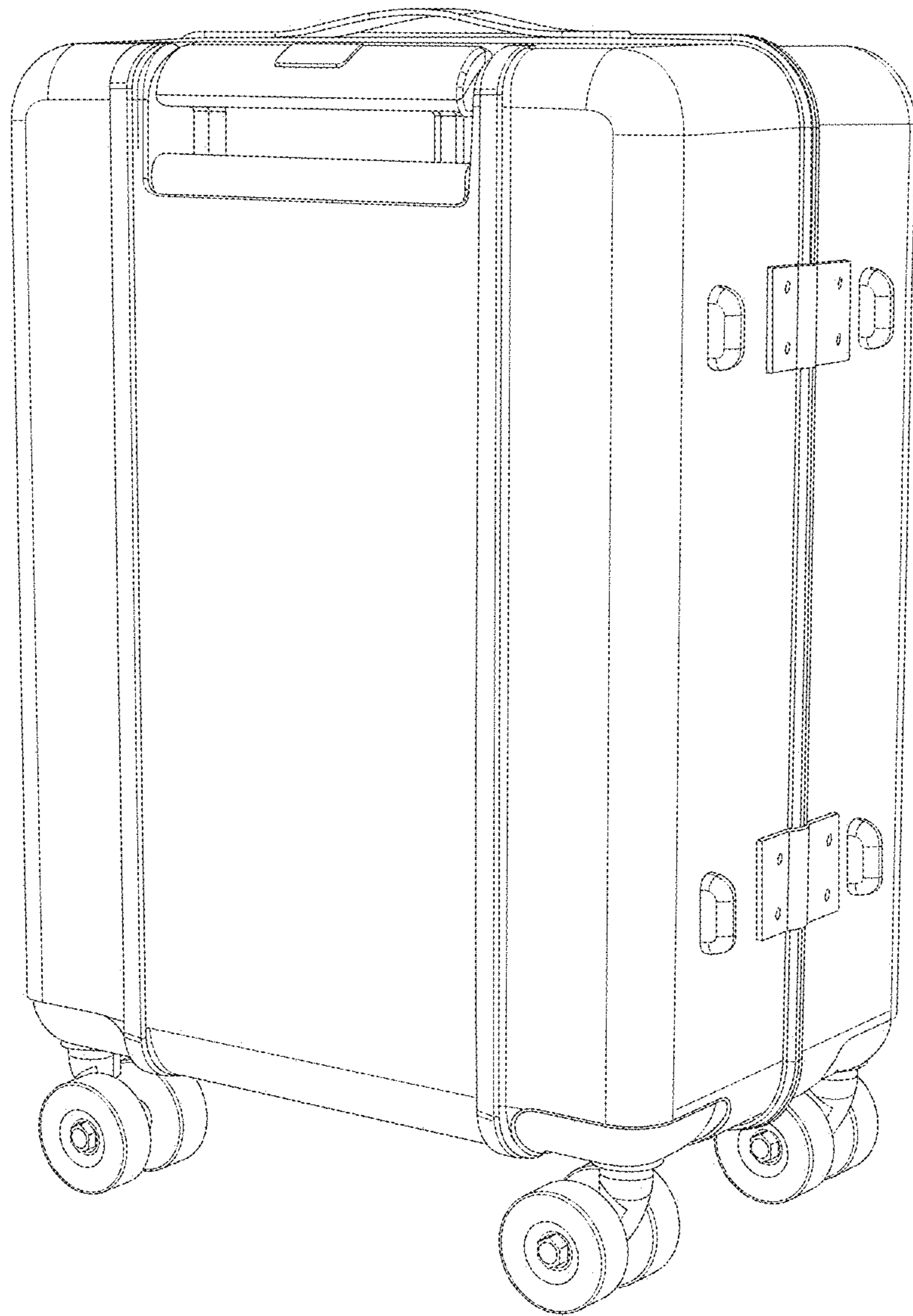


FIG. 8