



US00D889827S

(12) **United States Design Patent** (10) **Patent No.:** **US D889,827 S**
Wark (45) **Date of Patent:** **** Jul. 14, 2020**

(54) TOTE BAG	3,121,452 A	2/1964	Hyman
	4,186,859 A	2/1980	Frankfort et al.
(71) Applicant: CYNWARK Corporation , The Woodlands, TX (US)	4,708,243 A	11/1987	Nailon
	4,817,791 A	4/1989	Adams
	D304,264 S *	10/1989	Peregrine D3/289
(72) Inventor: Cynthia A. Wark , The Woodlands, TX (US)	4,961,522 A	10/1990	Weber
	4,993,613 A	2/1991	Frisbie
	5,007,250 A *	4/1991	Musielak A45C 11/20 383/29
(73) Assignee: CYNWARK Corporation , The Woodlands, TX (US)	5,056,697 A	10/1991	Sheffield
	D339,129 S *	9/1993	Watson D14/138 R

(Continued)

(**) Term: **15 Years**

(21) Appl. No.: **29/694,006**

(22) Filed: **Jun. 6, 2019**

Related U.S. Application Data

(63) Continuation of application No. 15/960,699, filed on Apr. 24, 2018, now abandoned, which is a continuation of application No. 14/556,359, filed on Dec. 1, 2014, and a continuation of application No. 14/556,359, filed on Dec. 1, 2014.

(51) **LOC (12) Cl.** **03-01**

(52) **U.S. Cl.**
USPC **D3/255; D3/289**

(58) **Field of Classification Search**
USPC D3/273, 276, 278, 283, 284, 285, 289,
D3/290, 301, 900, 243, 245, 217, 239,
D3/240, 246, 902, 905, 255
CPC .. A45C 11/20; A45C 1/02; A45C 3/04; A45C
5/005; A45C 3/004
See application file for complete search history.

(56) **References Cited**

U.S. PATENT DOCUMENTS

336,017 A	2/1886	Prahar et al.
1,575,875 A	3/1926	Szewczyk
1,755,548 A	4/1930	Lowe
2,796,905 A	6/1957	Hebron

OTHER PUBLICATIONS

ADCO Marketing, "Stealth Cooler for Golf, Wine or Fun", cached from Feb. 15, 2012. (<https://www.adcomarketing.com/product/stealth-cooler-bag.aspx>) (Year: 2012).*

(Continued)

Primary Examiner — April Rivas

(74) *Attorney, Agent, or Firm* — Young Basile Hanlon & MacFarlane, P.C.

(57) **CLAIM**

The design for a tote bag, as shown.

DESCRIPTION

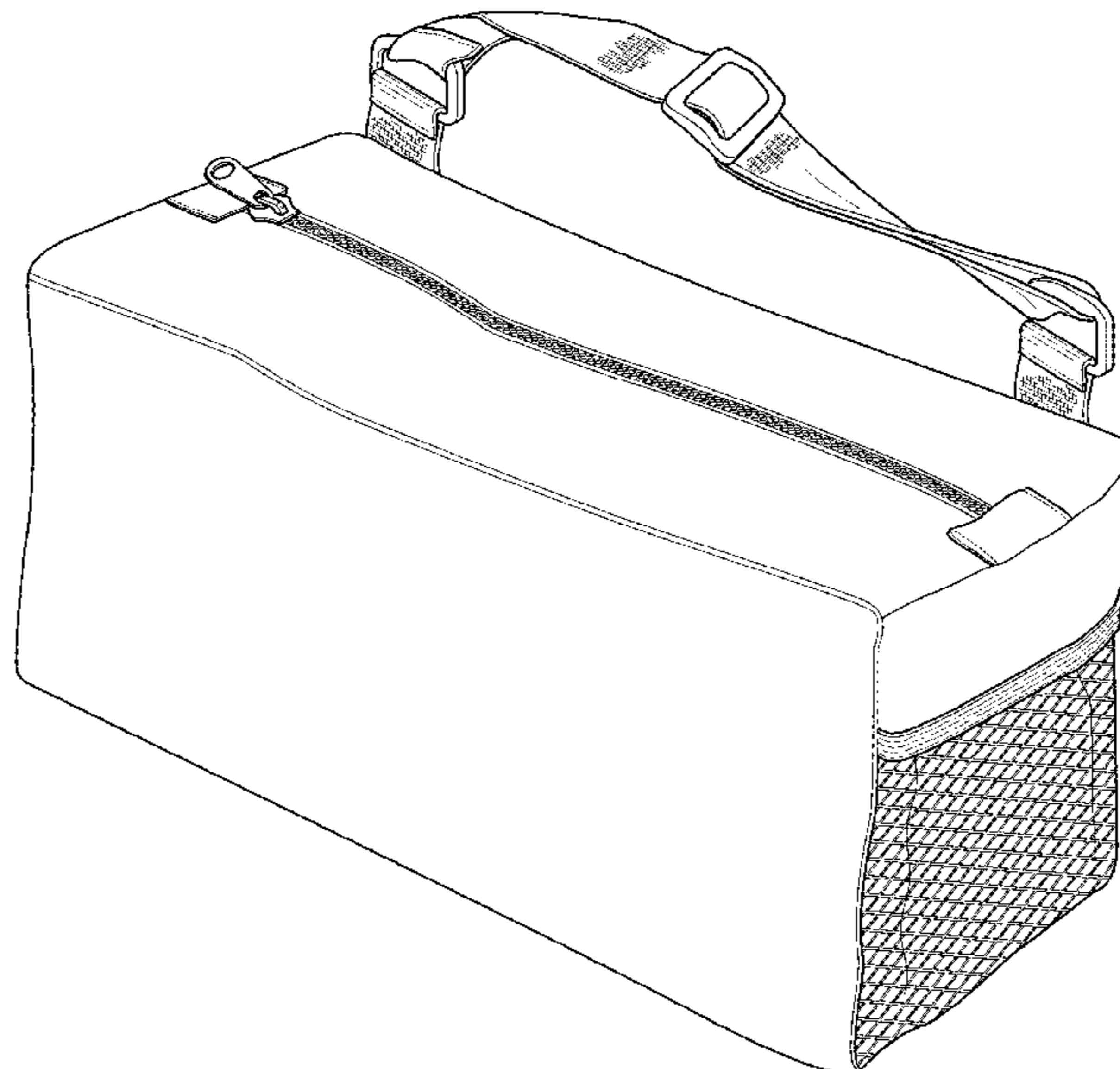
FIG. 1 is front right perspective view of a tote bag embodying the design;

FIG. 2 is a rear right perspective view of the tote bag embodying the design;

FIG. 3 is a front left perspective view of the tote bag embodying the design with an appliance article attached; and,

FIG. 4 is a perspective view of the tote bag attached to a golf cart that forms no part of the inventive design. The broken lines on the tote bag illustrate claimed stitching. The broken line golf cart in FIG. 4 illustrates environment and forms no part of the claimed design.

1 Claim, 4 Drawing Sheets



(56)

References Cited

U.S. PATENT DOCUMENTS

D387,837	S	12/1997	Luchynsky	
D416,677	S *	11/1999	Christman	D3/232
6,116,045	A	9/2000	Hodosh et al.	
6,371,560	B1	4/2002	Fulford et al.	
6,422,641	B1	7/2002	Coryell	
6,471,105	B1	10/2002	Ammerman et al.	
D467,772	S *	12/2002	Williams	D7/607
D543,695	S	6/2007	Sands	
D565,837	S *	4/2008	Miles	D3/203.1
D567,320	S	4/2008	Pelosi	
D653,720	S	2/2012	Piatkowski	
D674,454	S	1/2013	Asberg	
D685,049	S	6/2013	Hughes	
D819,327	S *	6/2018	Jusic	D3/217
D830,686	S *	10/2018	Rogers	D3/217
2004/0022455	A1	2/2004	Reason	
2005/0098594	A1	5/2005	Truong	
2005/0121121	A1	6/2005	Wang	
2005/0276522	A1	12/2005	Hard	
2007/0228097	A1	10/2007	Recanati	
2010/0044259	A1	2/2010	Wang	
2010/0327615	A1	12/2010	Juan Ponsa et al.	
2011/0127183	A1	6/2011	Davis, Jr.	
2012/0104059	A1	5/2012	Yen	
2013/0181025	A1	7/2013	Bergman et al.	
2014/0231472	A1	8/2014	Cha	

OTHER PUBLICATIONS

PGF Fan, "Personal Golf Tote", cached on Apr. 28, 2014. (http://www.pgffan.com/PGF_Personal_Golf_Fan_Personal_Golf_Tote.html) (Year: 2014).*

* cited by examiner

FIG. 1

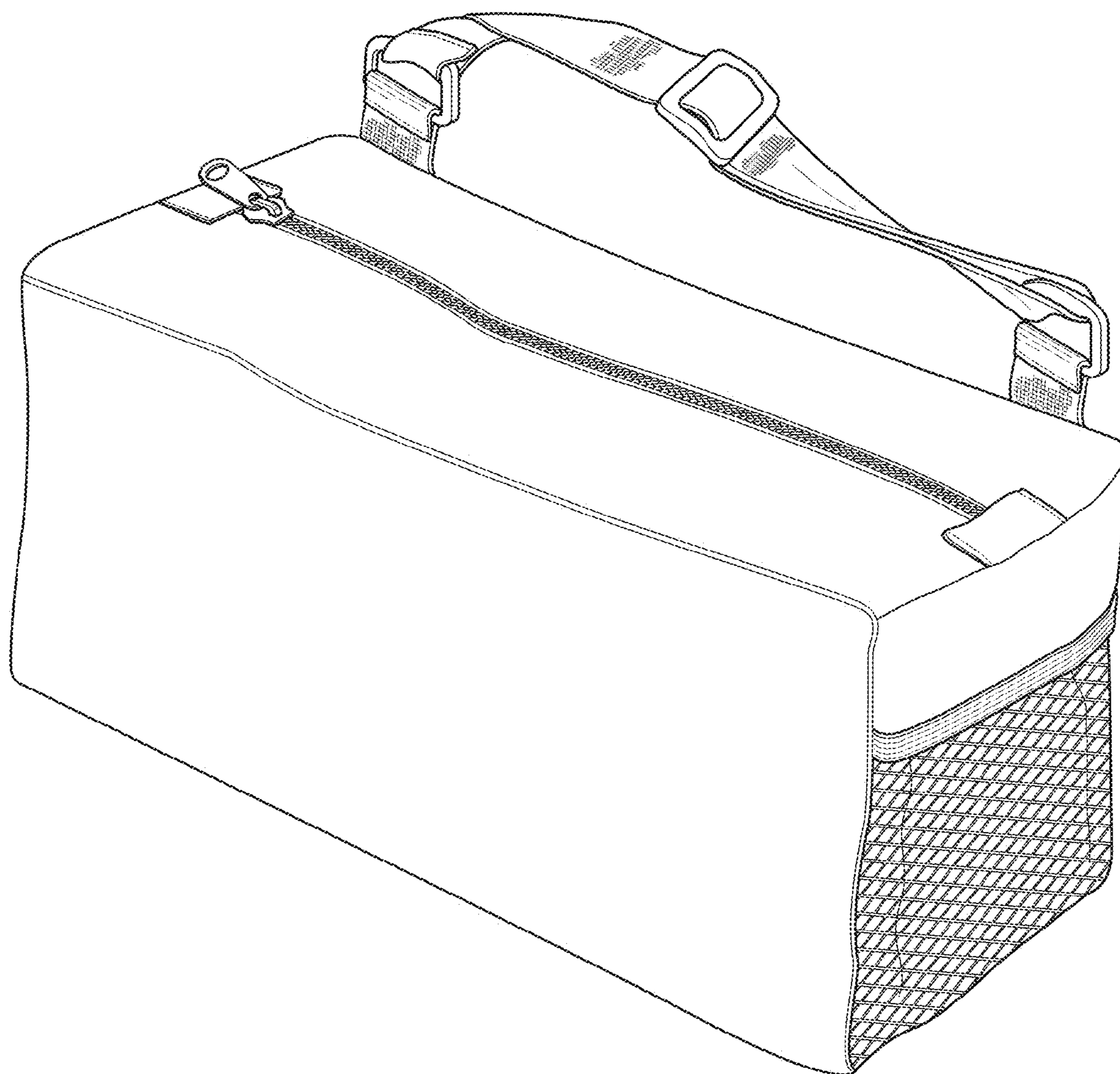
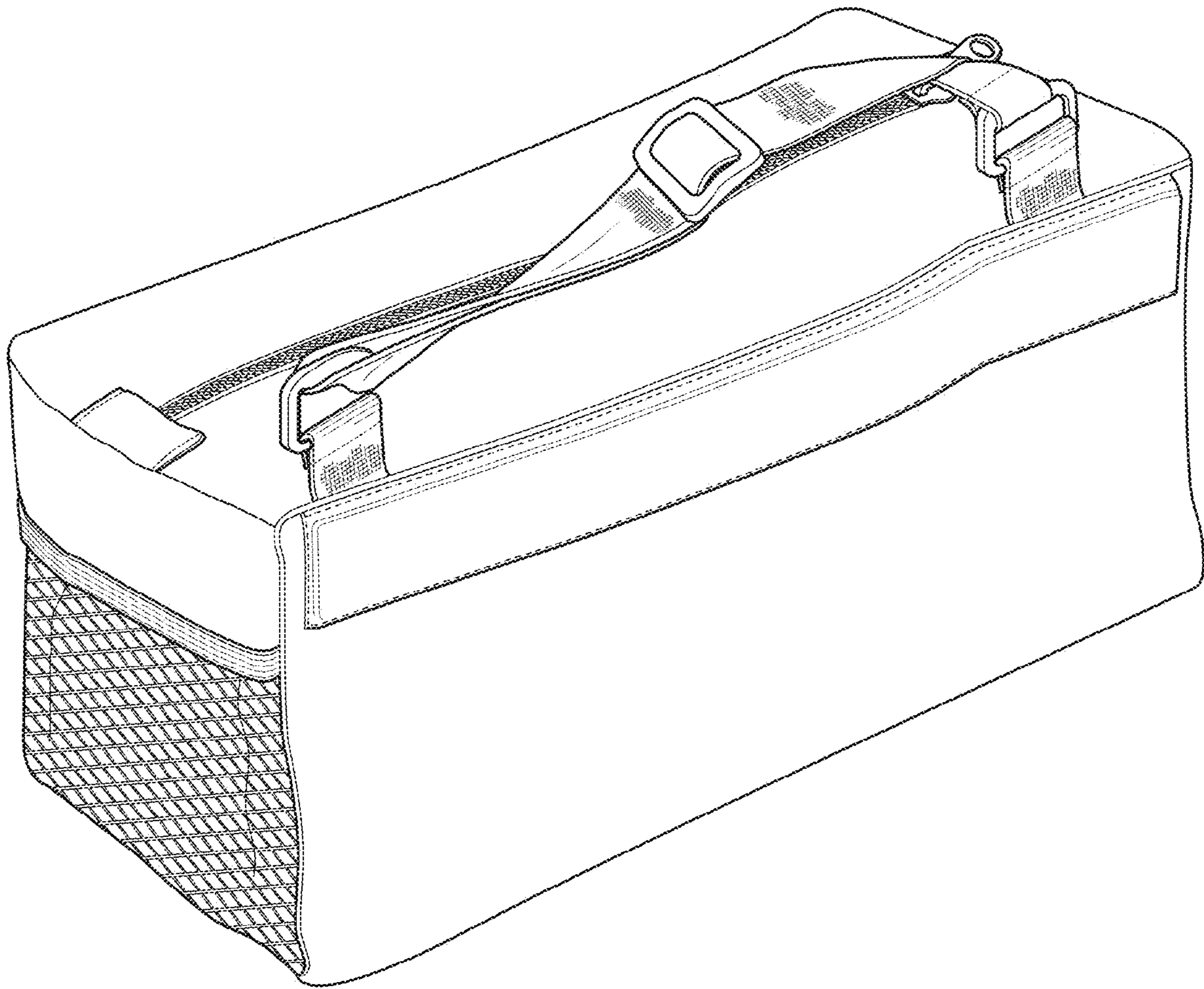


FIG. 2



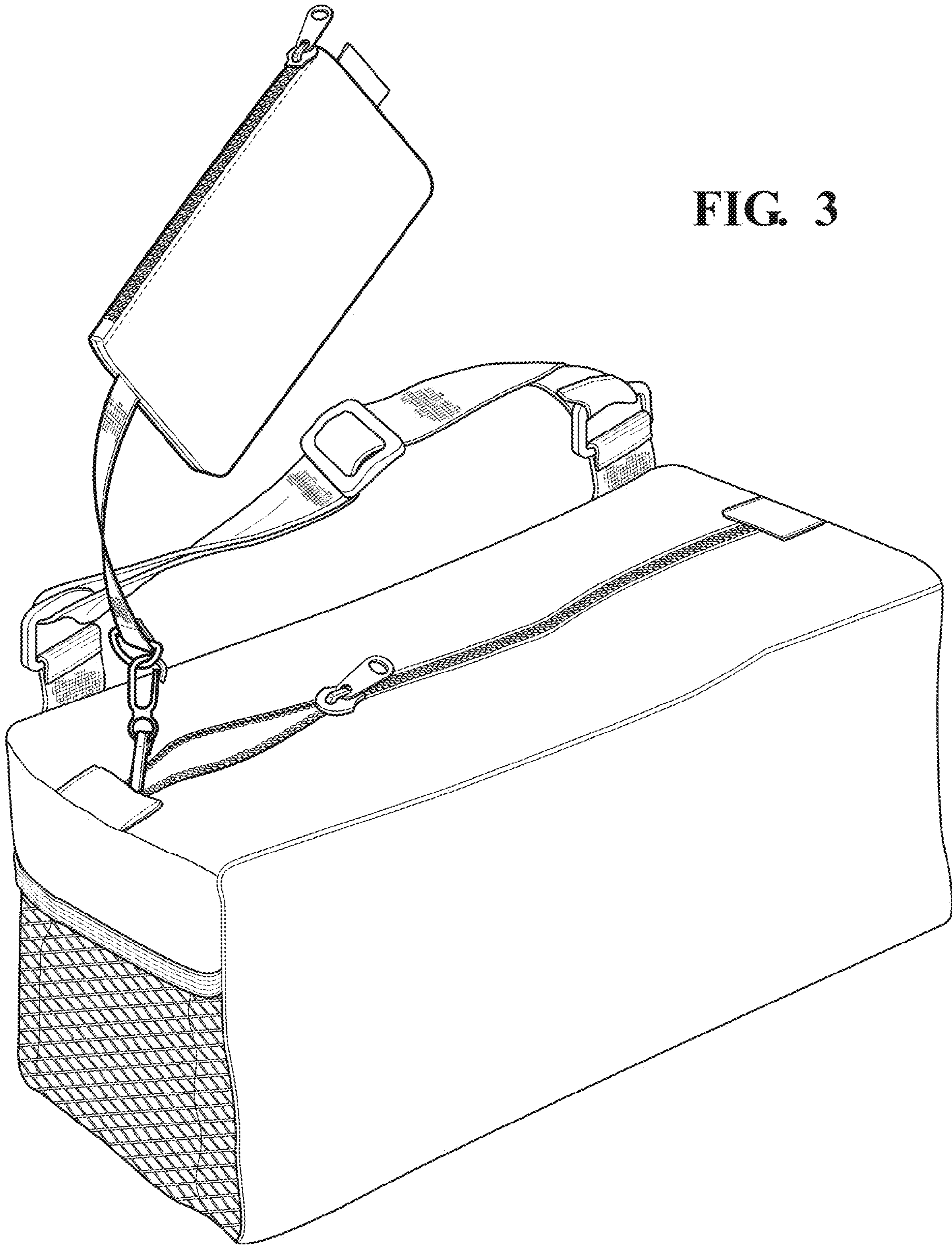


FIG. 3

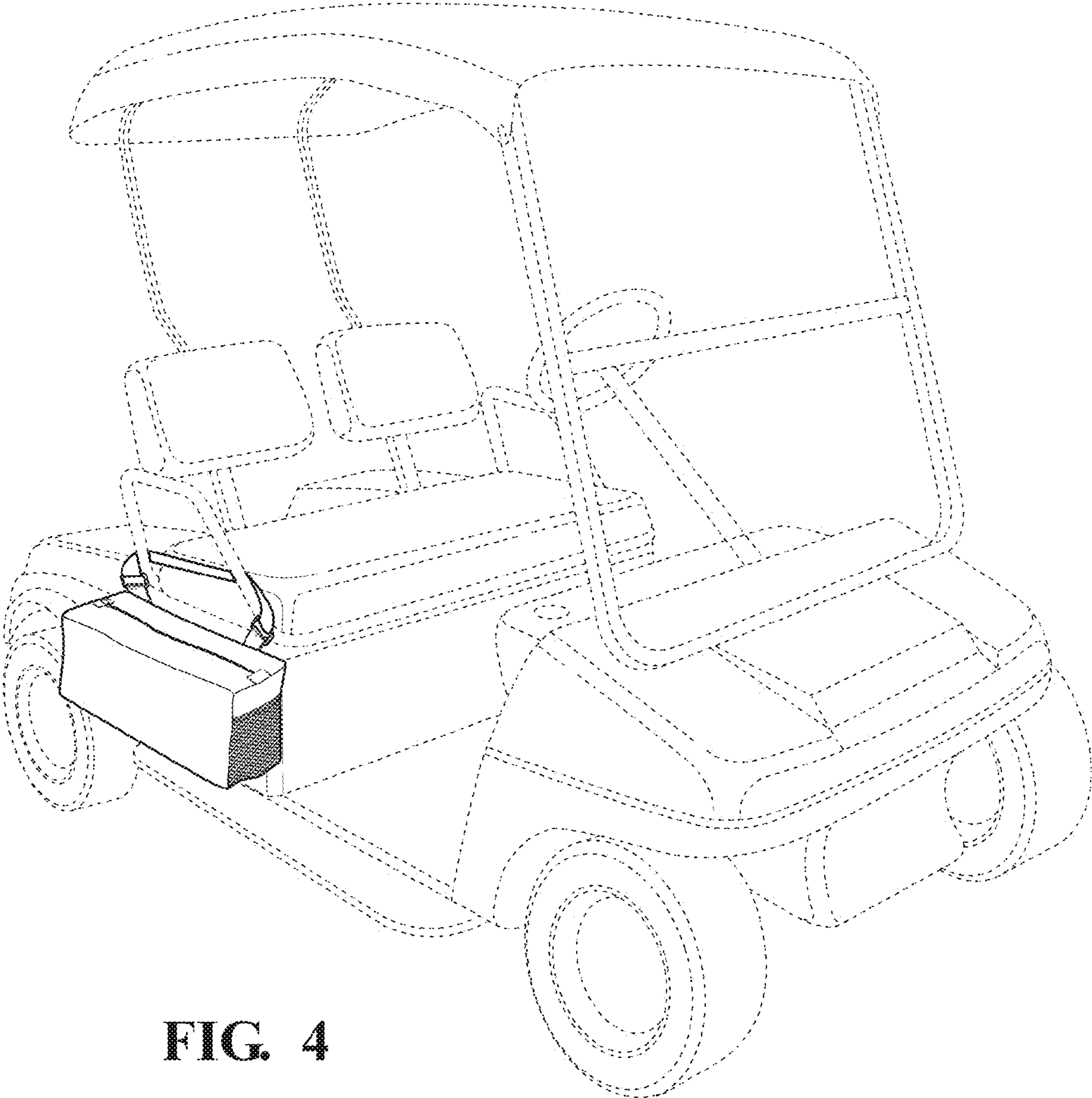


FIG. 4