



US00D889822S

(12) **United States Design Patent**  
**Melamed**

(10) **Patent No.:** **US D889,822 S**  
(45) **Date of Patent:** **\*\* Jul. 14, 2020**

- (54) **FOOTBALL HANDBAG**
- (71) Applicant: **PurseN, LLC**, Atlanta, GA (US)
- (72) Inventor: **Hardeep Melamed**, Atlanta, GA (US)
- (73) Assignee: **PURSEN, LLC**, Atlanta, GA (US)
- (\*\*) Term: **15 Years**

D231,586 S *	5/1974	Lazo de la Vega	.....	D3/238
D231,590 S *	5/1974	McKinney	.....	D3/234
D232,130 S *	7/1974	Burkett	.....	D3/238
D243,913 S *	4/1977	Miles	.....	D7/710
D246,873 S *	1/1978	Kling	.....	D3/238
D248,189 S *	6/1978	Loomis	.....	D3/271.9
D249,395 S *	9/1978	Kling	.....	D3/246
D251,284 S *	3/1979	Weaver	.....	D7/710
4,164,284 A *	8/1979	Witt	.....	B65D 81/3846 206/217

(Continued)

(21) Appl. No.: **29/650,541**

(22) Filed: **Jun. 7, 2018**

(51) **LOC (12) Cl.** ..... **03-01**

(52) **U.S. Cl.**  
USPC ..... **D3/238**

(58) **Field of Classification Search**  
USPC ..... D3/226, 227, 229, 230, 232, 233, 234,  
D3/235, 238, 239, 240, 241, 242, 243,  
D3/244, 245, 246, 247, 248, 249, 250,  
D3/251, 253, 270, 271.2, 271.3, 271.9  
CPC .. A45C 1/024; A45C 3/04; A45C 3/06; A45C  
3/08; A45C 3/10; A45C 7/0059; A45C  
7/0077; A45C 13/08; A45C 13/26; A45C  
2001/083

See application file for complete search history.

(56) **References Cited**

**U.S. PATENT DOCUMENTS**

476,862 A *	6/1892	Bates	.....	B65D 33/10 383/6
D93,987 S *	12/1934	Lynn	.....	D3/238
D128,495 S *	7/1941	Loeb	.....	D3/238
3,624,939 A *	12/1971	Gossard	.....	A47G 1/12 206/0.84
3,628,583 A *	12/1971	Poelman	.....	A45C 3/00 150/110
D226,147 S *	1/1973	Sosa	.....	D3/238
D226,344 S *	2/1973	Loomis	.....	D3/238
D230,102 S *	1/1974	Reneau	.....	D3/238
D230,216 S *	1/1974	Tibbs	.....	D3/238
D230,217 S *	1/1974	Tibbs	.....	D3/238

**OTHER PUBLICATIONS**

Football Bag, Forever New Orleans, Jul. 12, 2018, site visited Mar. 23, 2020, available online at <https://shopforeverneworleans.com/football-bag-both/> (Year: 2018).\*

(Continued)

*Primary Examiner* — Cathron C Brooks  
(74) *Attorney, Agent, or Firm* — Robert M. Downey, P.A.

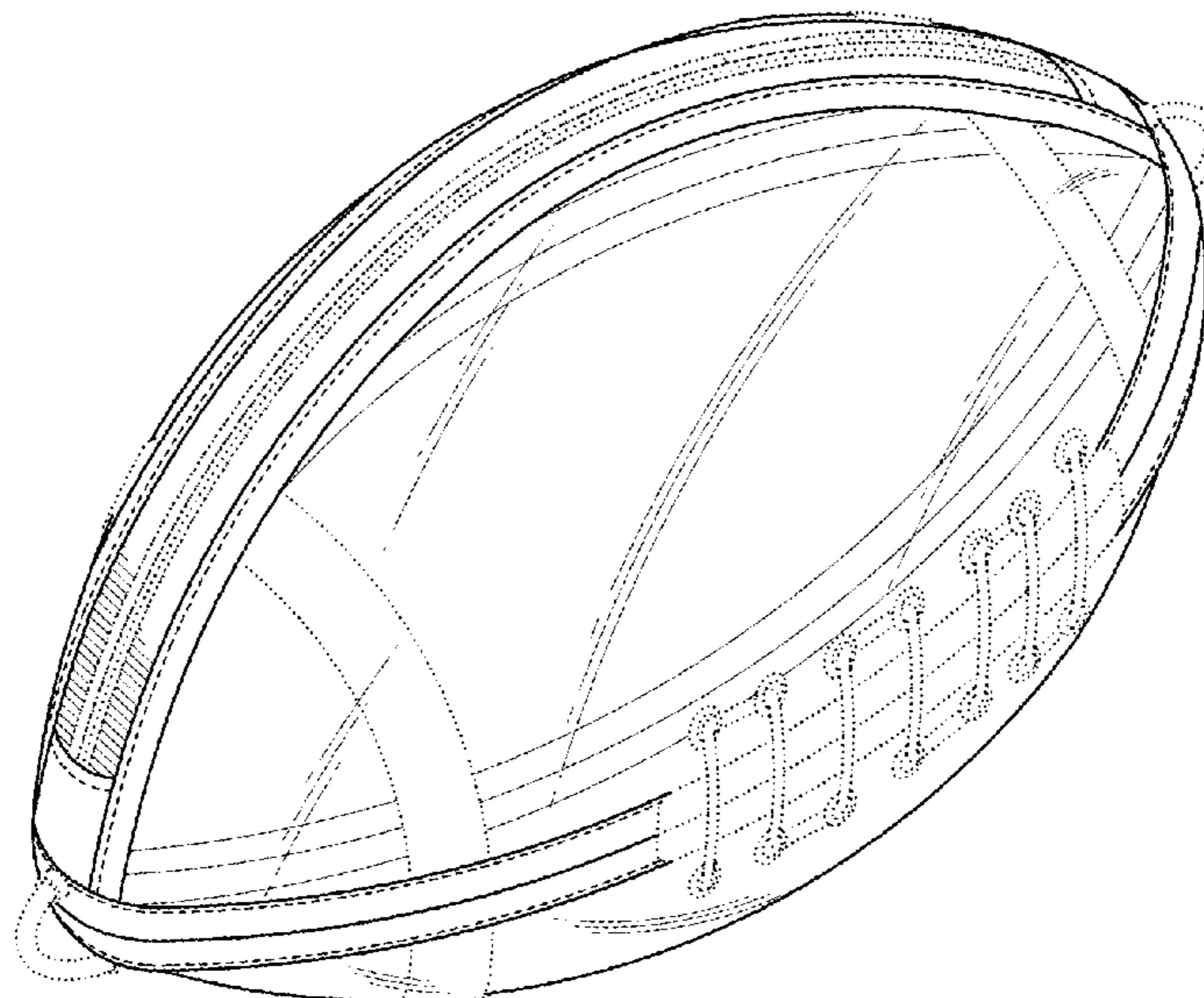
(57) **CLAIM**

The ornamental design for a football handbag, as shown and described.

**DESCRIPTION**

FIG. 1 is a front, top perspective view of a football handbag showing my new design;  
FIG. 2 is a front elevational view thereof;  
FIG. 3 is a rear elevational view thereof;  
FIG. 4 is a top plan view thereof;  
FIG. 5 is a bottom plan view thereof;  
FIG. 6 is a left end elevational view thereof; and,  
FIG. 7 is a right end elevational view thereof.  
The closely spaced dotted lines illustrate portions of the article that form no part of the claimed design. The dashed broken lines illustrate stitching that forms part of the claimed design.

**1 Claim, 7 Drawing Sheets**



(56)

References Cited

U.S. PATENT DOCUMENTS

D253,330 S \* 11/1979 Weaver ..... D7/710  
 D335,956 S \* 6/1993 Lucas ..... D3/238  
 D341,295 S \* 11/1993 Thorpe ..... D3/238  
 D346,185 S \* 4/1994 Francis ..... D3/270  
 D365,443 S \* 12/1995 Wu ..... D3/226  
 D369,544 S \* 5/1996 Culliss ..... D21/440  
 D375,833 S \* 11/1996 Dixon ..... D3/216  
 D394,348 S \* 5/1998 Aliff ..... D3/234  
 D401,293 S \* 11/1998 Alarid, Jr. .... D21/712  
 D411,715 S \* 6/1999 Hansen ..... D7/606  
 D425,757 S \* 5/2000 Printz ..... D7/510  
 D471,708 S \* 3/2003 Rugg ..... D3/257  
 D481,252 S \* 10/2003 Fung ..... D3/270  
 D482,523 S \* 11/2003 Friou ..... D3/226  
 D484,353 S \* 12/2003 Tung ..... D3/270  
 D505,594 S \* 5/2005 Minor ..... D3/271.9  
 6,892,916 B1 \* 5/2005 Rugg ..... A45C 13/103  
 224/645

D521,727 S \* 5/2006 Albini ..... D3/238  
 D528,787 S \* 9/2006 Prentice ..... D3/238  
 D557,499 S \* 12/2007 Friedman ..... D3/271.9  
 D591,502 S \* 5/2009 Sartor ..... D3/238  
 D627,233 S \* 11/2010 Blakeman ..... D9/668  
 D636,990 S \* 5/2011 Traiger ..... D3/244  
 D677,885 S \* 3/2013 Shyr ..... D3/234  
 D691,799 S \* 10/2013 Rall ..... D3/234  
 D732,847 S \* 6/2015 Jan ..... D6/591  
 D797,447 S \* 9/2017 Peng ..... D3/271.9  
 D802,188 S \* 11/2017 Chan ..... D26/38  
 2006/0237106 A1 10/2006 Pearson

OTHER PUBLICATIONS

Touchdown Bag, PurseN, earliest review date Jun. 13, 2018, site visited Mar. 23, 2020, available online at <https://shoppursen.com/collections/gameday-bags/products/touchdown-bag-black-w-coin-purse> (Year: 2018).\*

\* cited by examiner

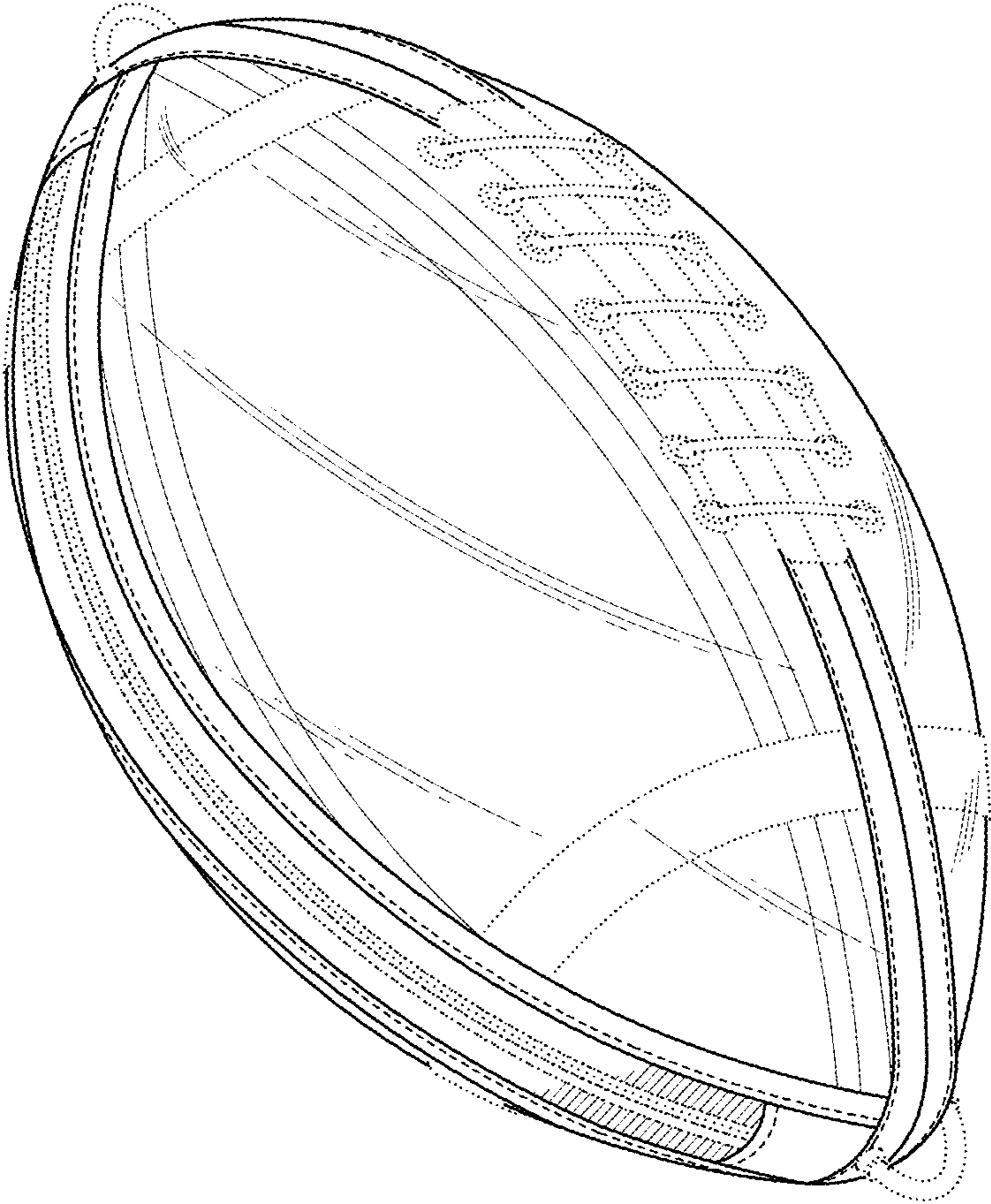


FIG. 1

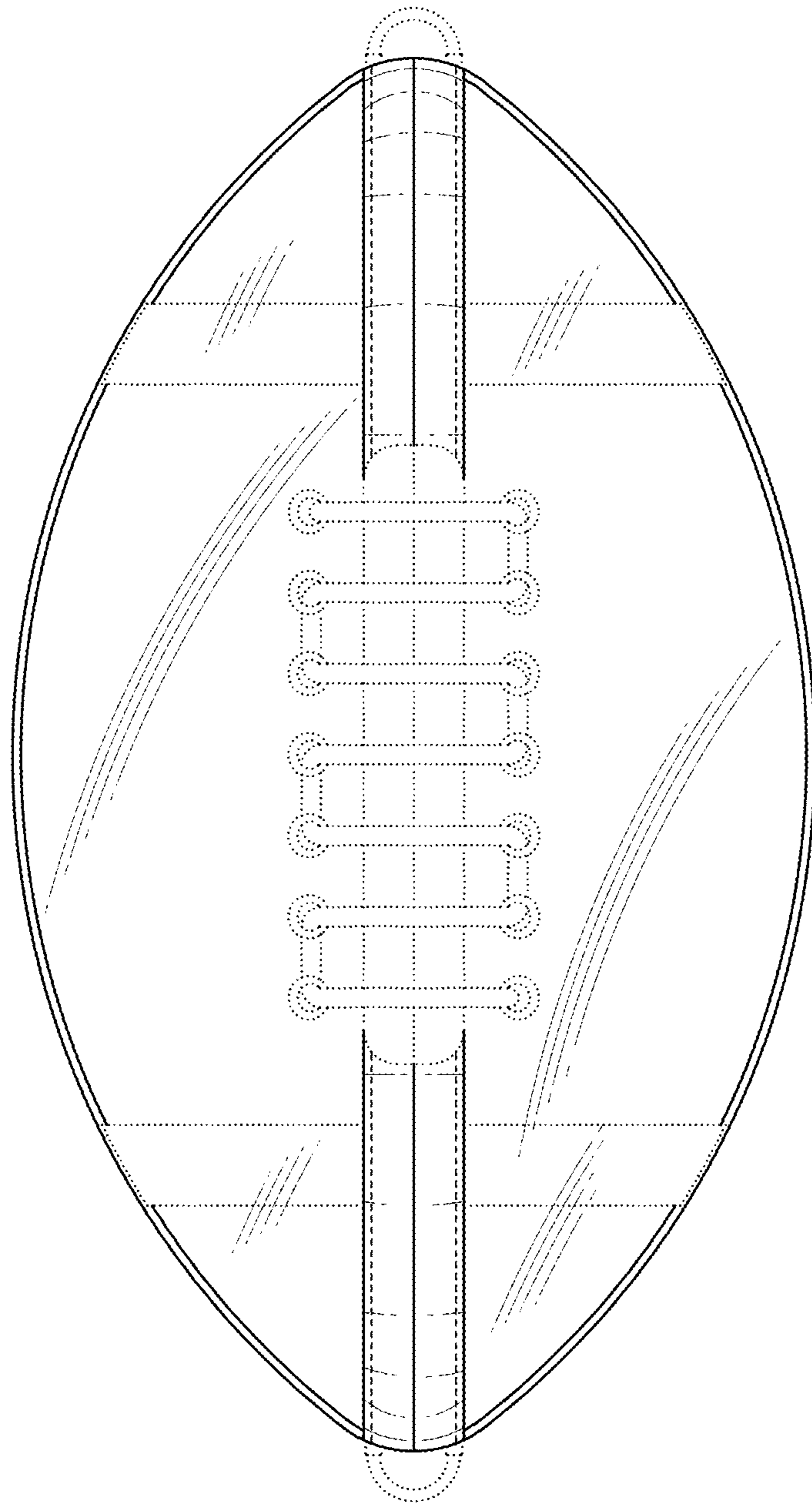


FIG. 2

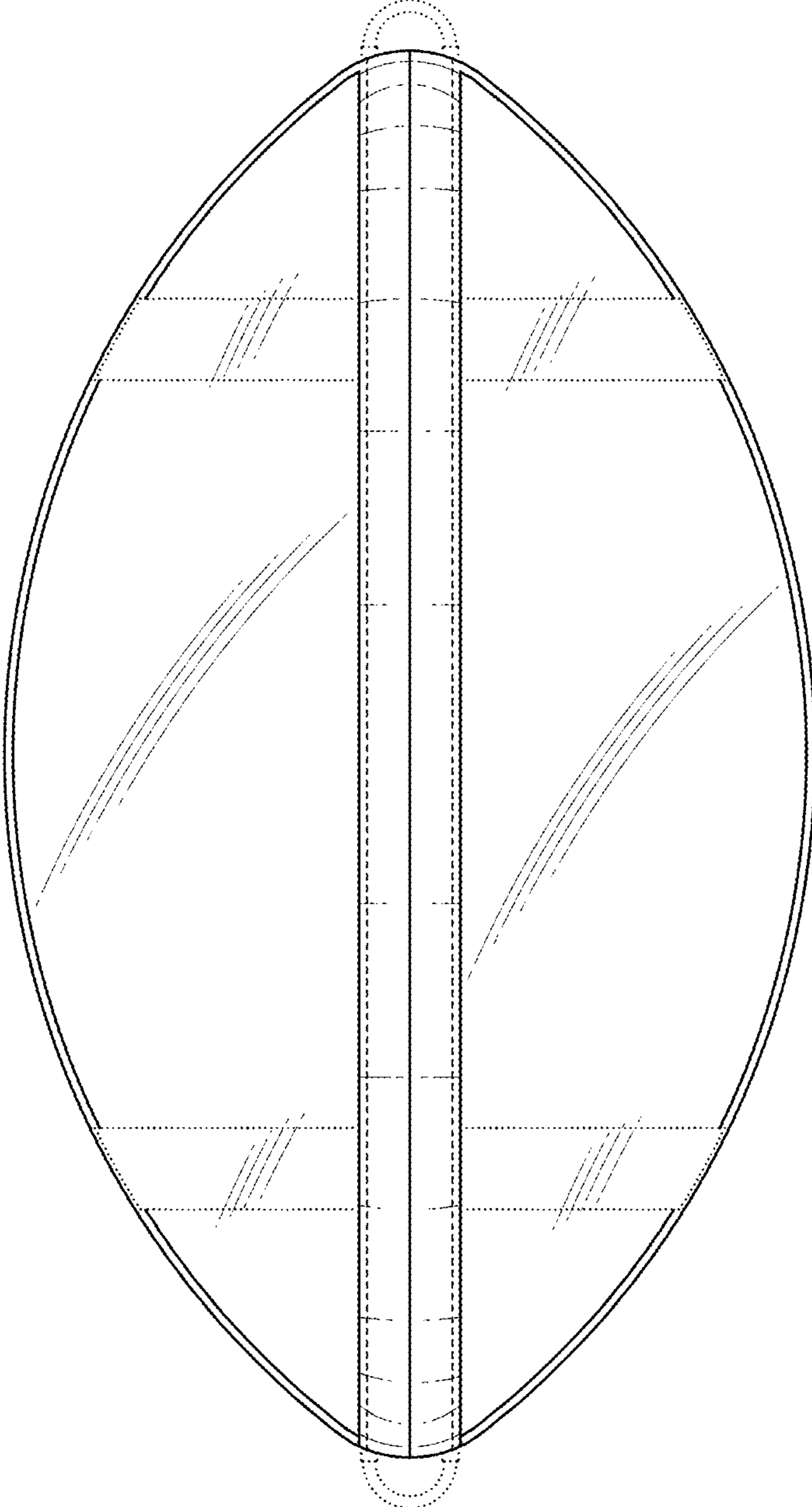


FIG. 3

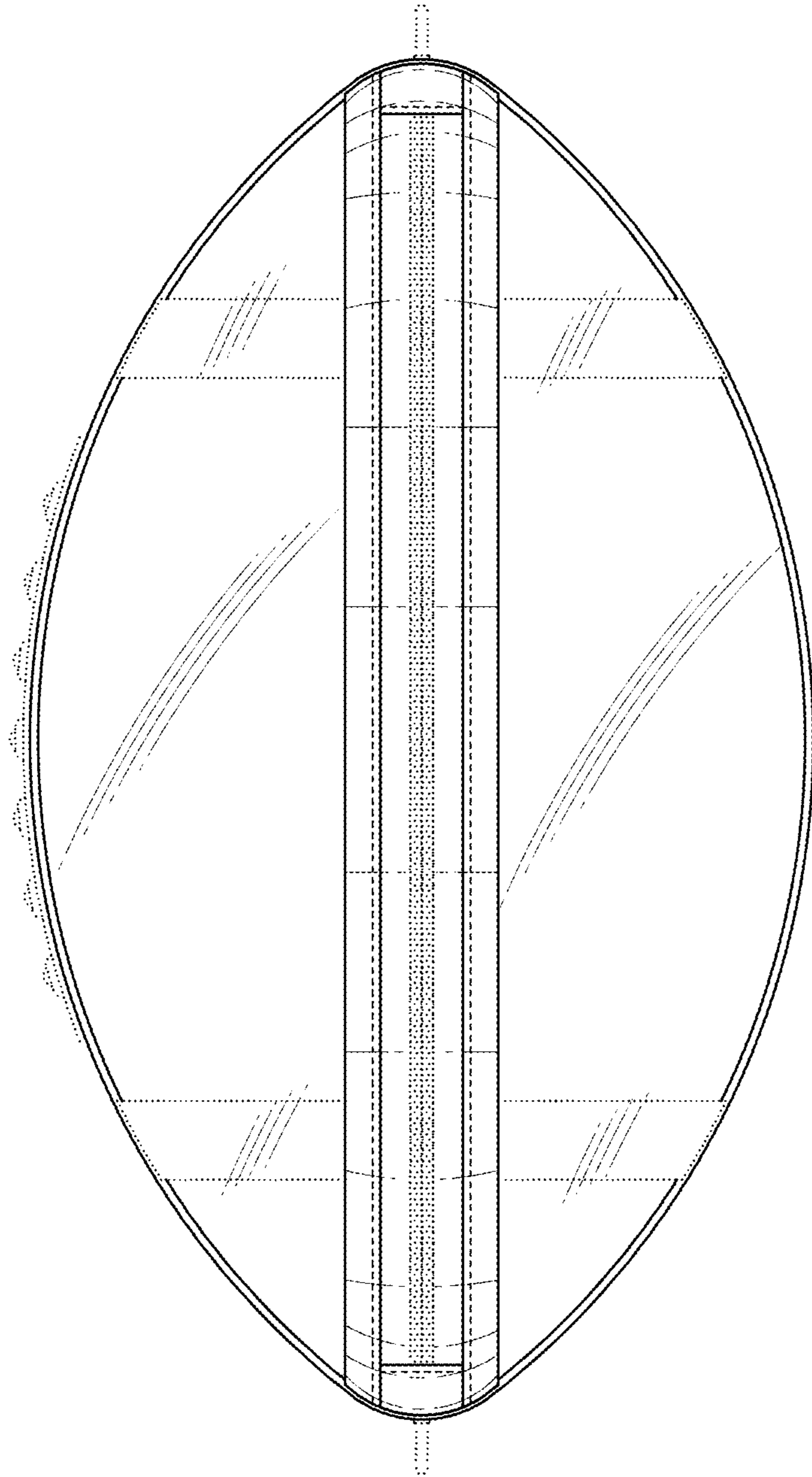


FIG. 4

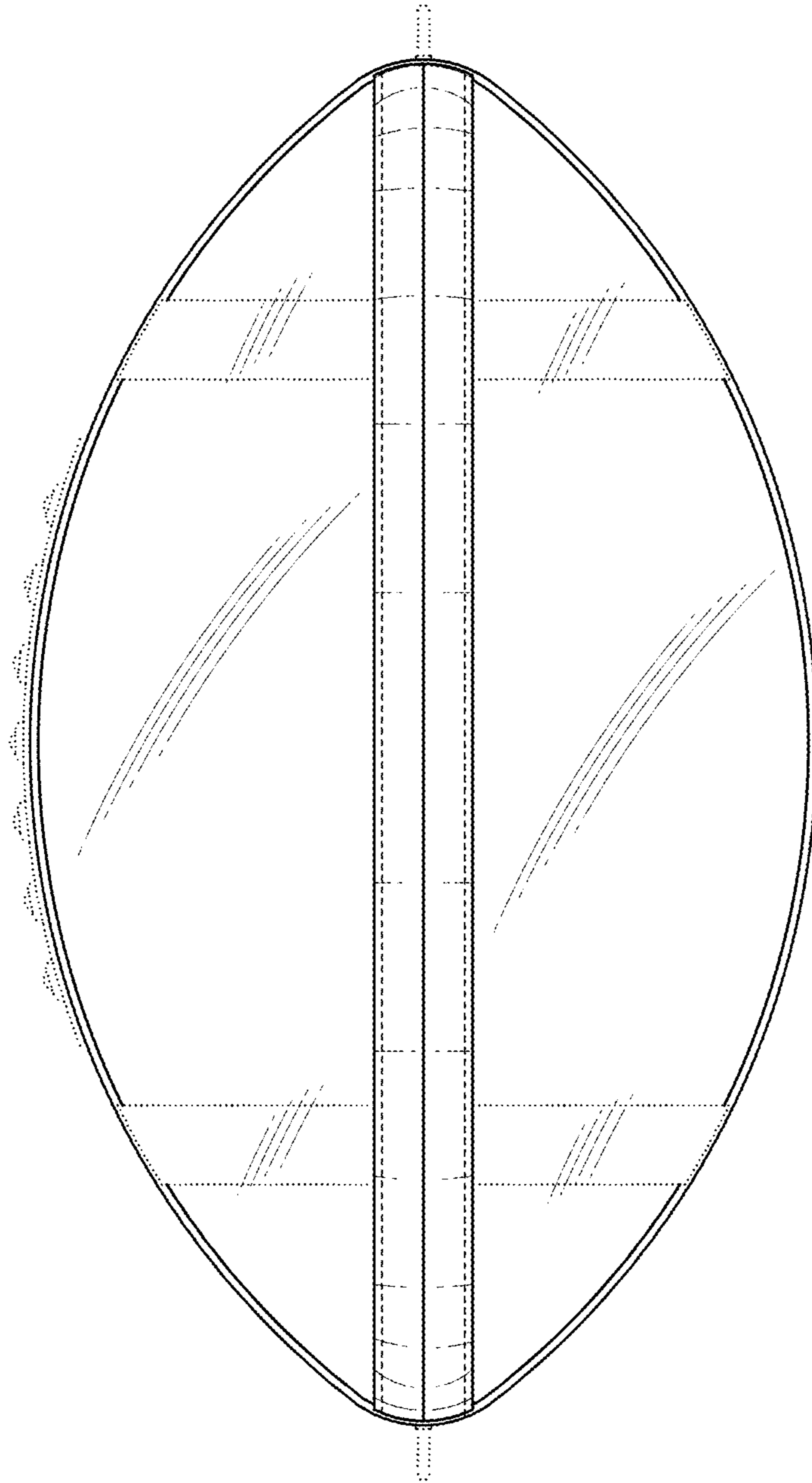


FIG. 5

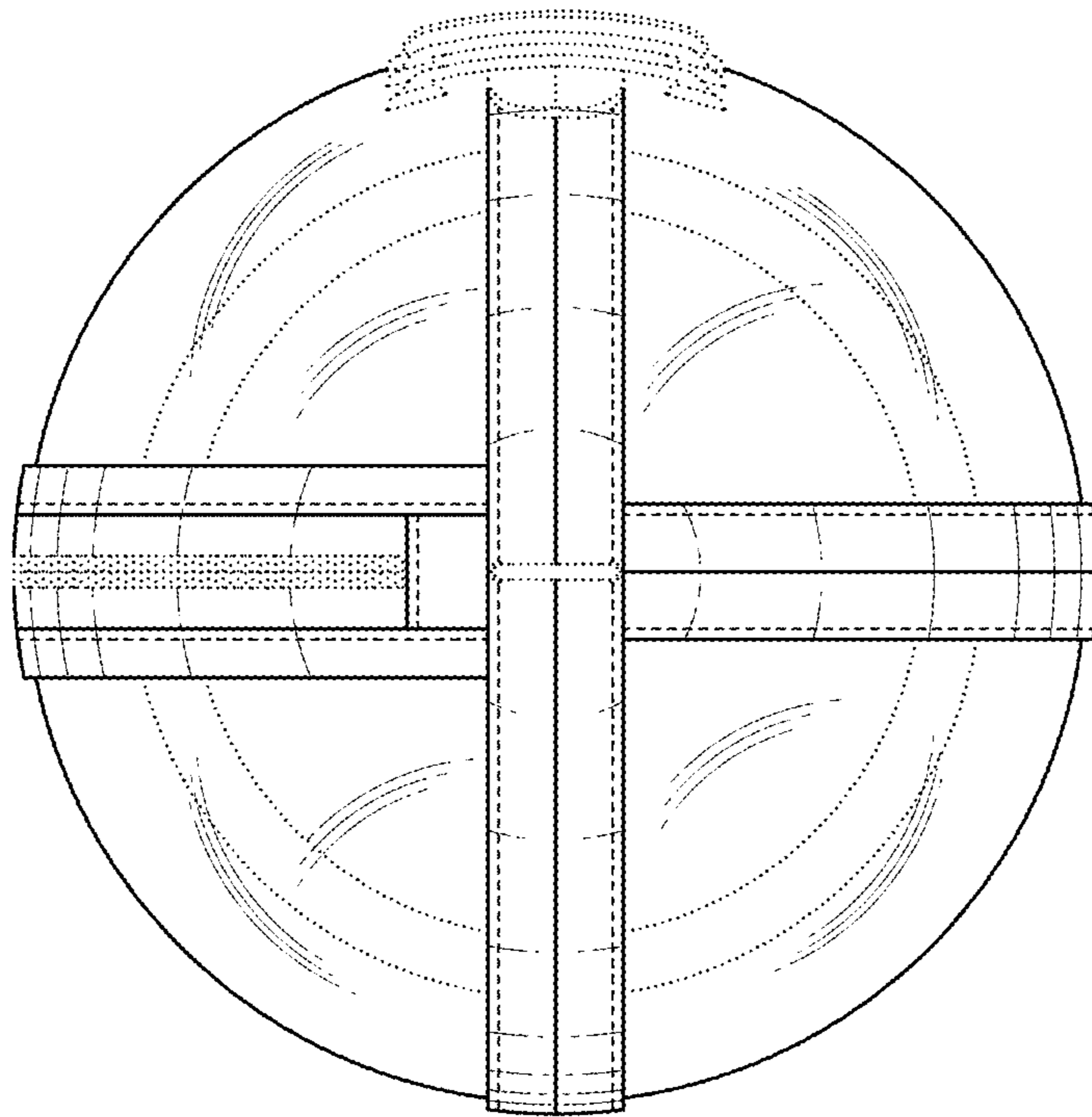


FIG. 6



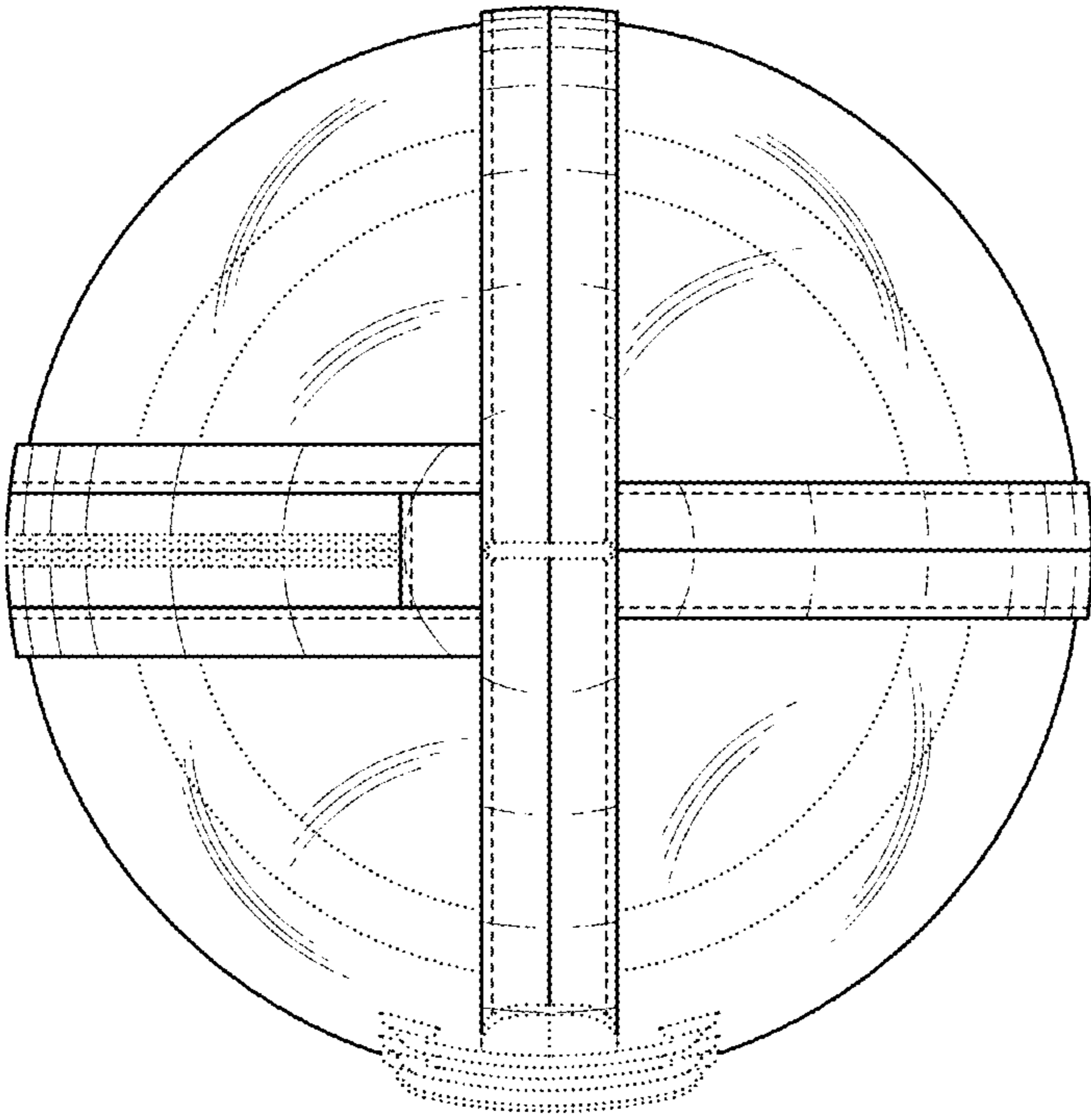


FIG. 7