



US00D889821S

(12) **United States Design Patent**
Xu

(10) **Patent No.:** **US D889,821 S**

(45) **Date of Patent:** **** Jul. 14, 2020**

(54) **PICNIC BACKPACK**

(71) Applicant: **Xiaohong Xu**, Qingdao (CN)

(72) Inventor: **Xiaohong Xu**, Qingdao (CN)

(**) Term: **15 Years**

(21) Appl. No.: **29/727,412**

(22) Filed: **Mar. 10, 2020**

(51) **LOC (12) Cl.** **03-01**

(52) **U.S. Cl.**
USPC **D3/217**

(58) **Field of Classification Search**
USPC D3/215-218, 224, 226, 303
CPC A45F 3/04; A45F 3/047; A45F 2003/045;
A45F 4/02

See application file for complete search history.

(56) **References Cited**

U.S. PATENT DOCUMENTS

5,649,658	A *	7/1997	Hoffman	A45F 3/04
					190/2
5,988,465	A *	11/1999	Vitale	A45C 15/00
					224/153
D500,590	S *	1/2005	Sachen	D3/216
D543,021	S *	5/2007	Lee	D3/216
D544,708	S *	6/2007	Barker	D3/216
D674,591	S *	1/2013	Hargens	D3/217
D702,434	S *	4/2014	Chalk	D3/216
D714,541	S *	10/2014	Anderson	D3/217
D775,816	S *	1/2017	Slimane	D3/217
D781,575	S *	3/2017	Etekochoy	D3/217
D791,473	S *	7/2017	Herrera	D3/217
D819,959	S *	6/2018	Choi	D3/217

D856,662	S *	8/2019	Breines	D3/217
D857,376	S	8/2019	Thibadeau		
D879,464	S *	3/2020	Vario, Jr.	D3/217

OTHER PUBLICATIONS

VonShef 4 Person OUdoor Picnic Backpack on Amazon, reviewed Jun. 11, 2018. Viewed by Examiner May 15, 2020. Available at URL: https://www.amazon.com/VonShef-Outdoor-Backpack-Insulated-Compartment/dp/B07BQXJCPB/ref=pd_bxgy_img_2/142-9233081-5177809?encoding=UTF8&pd_rd_i=B07BQXJCPB&pd_rd_r=4bb21d58-fd8f-43f6-bc62-5823ad0.*

* cited by examiner

Primary Examiner — Jennifer L Watkins

(74) *Attorney, Agent, or Firm* — ZANIP

(57) **CLAIM**

The ornamental design for a picnic backpack, as shown and described.

DESCRIPTION

FIG. 1 is a front and top perspective view of a picnic backpack, showing my new design;
FIG. 2 is a rear and bottom perspective view thereof;
FIG. 3 is a front elevational view thereof;
FIG. 4 is a rear elevational view thereof;
FIG. 5 is a left side elevational view thereof;
FIG. 6 is a right side elevational view thereof;
FIG. 7 is a top plan view thereof; and,
FIG. 8 is a bottom plan view thereof.
The broken lines in the figures illustrate portions of the picnic backpack that form no part of the claimed design.

1 Claim, 8 Drawing Sheets

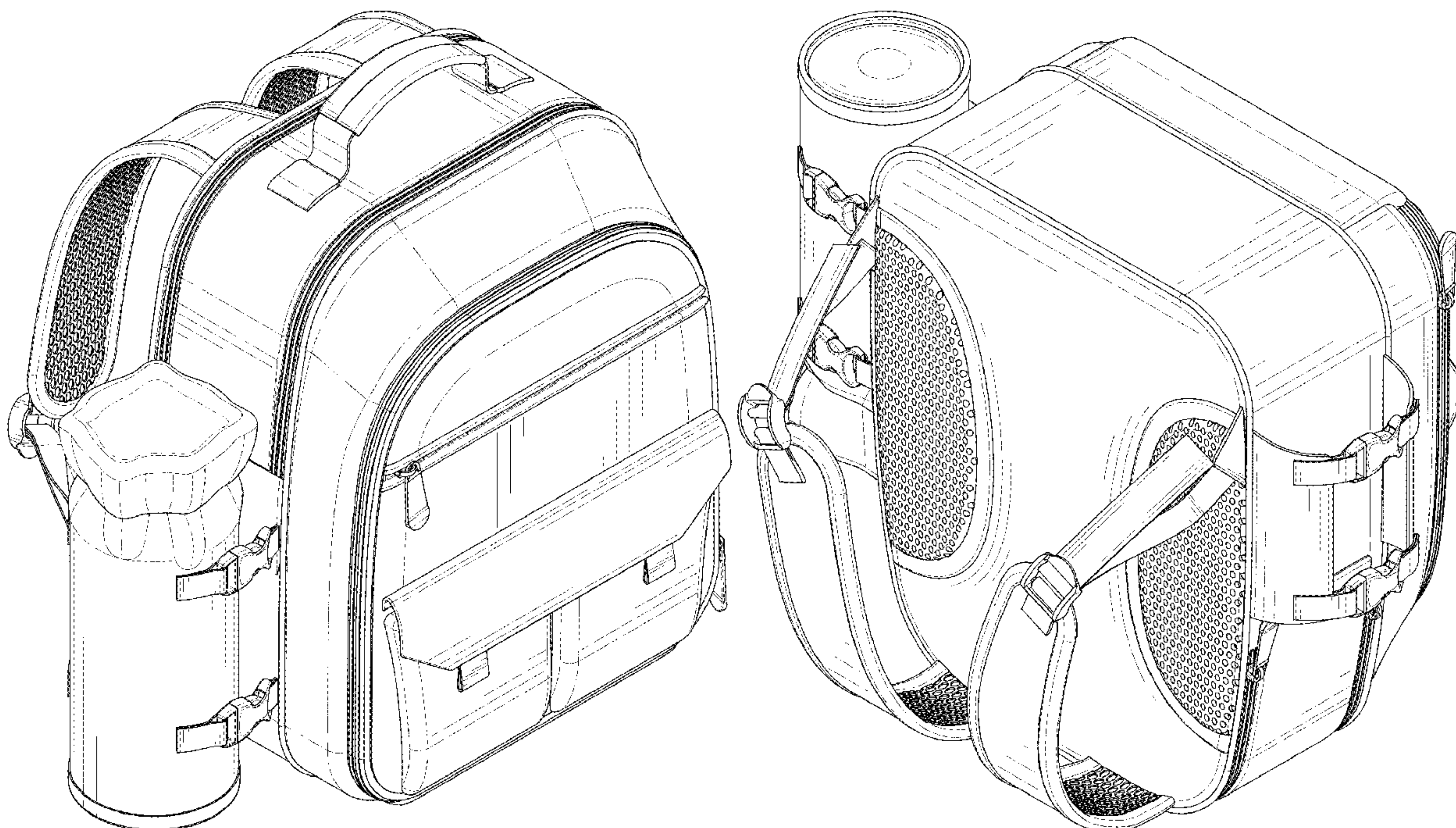




FIG. 1

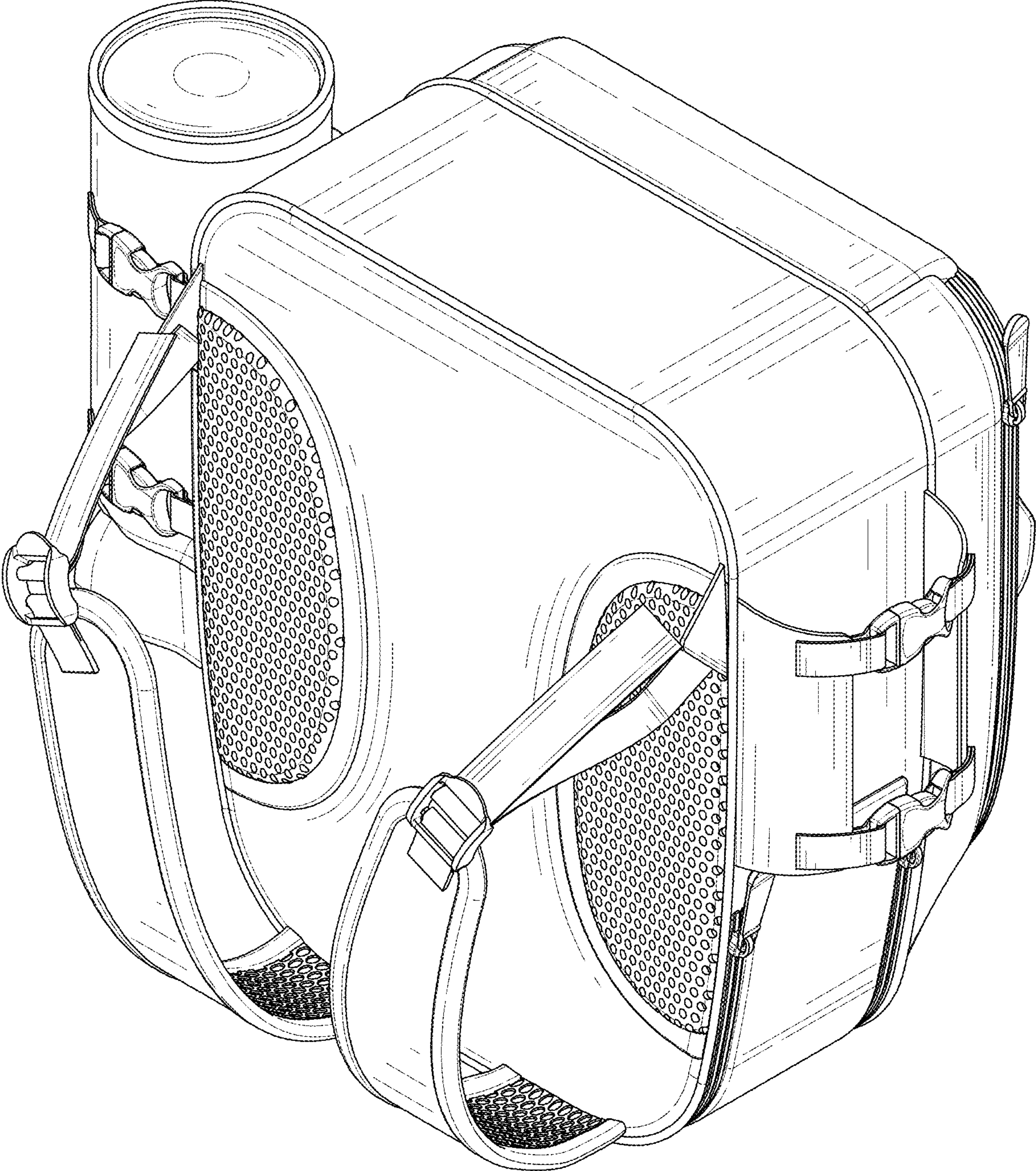


FIG. 2

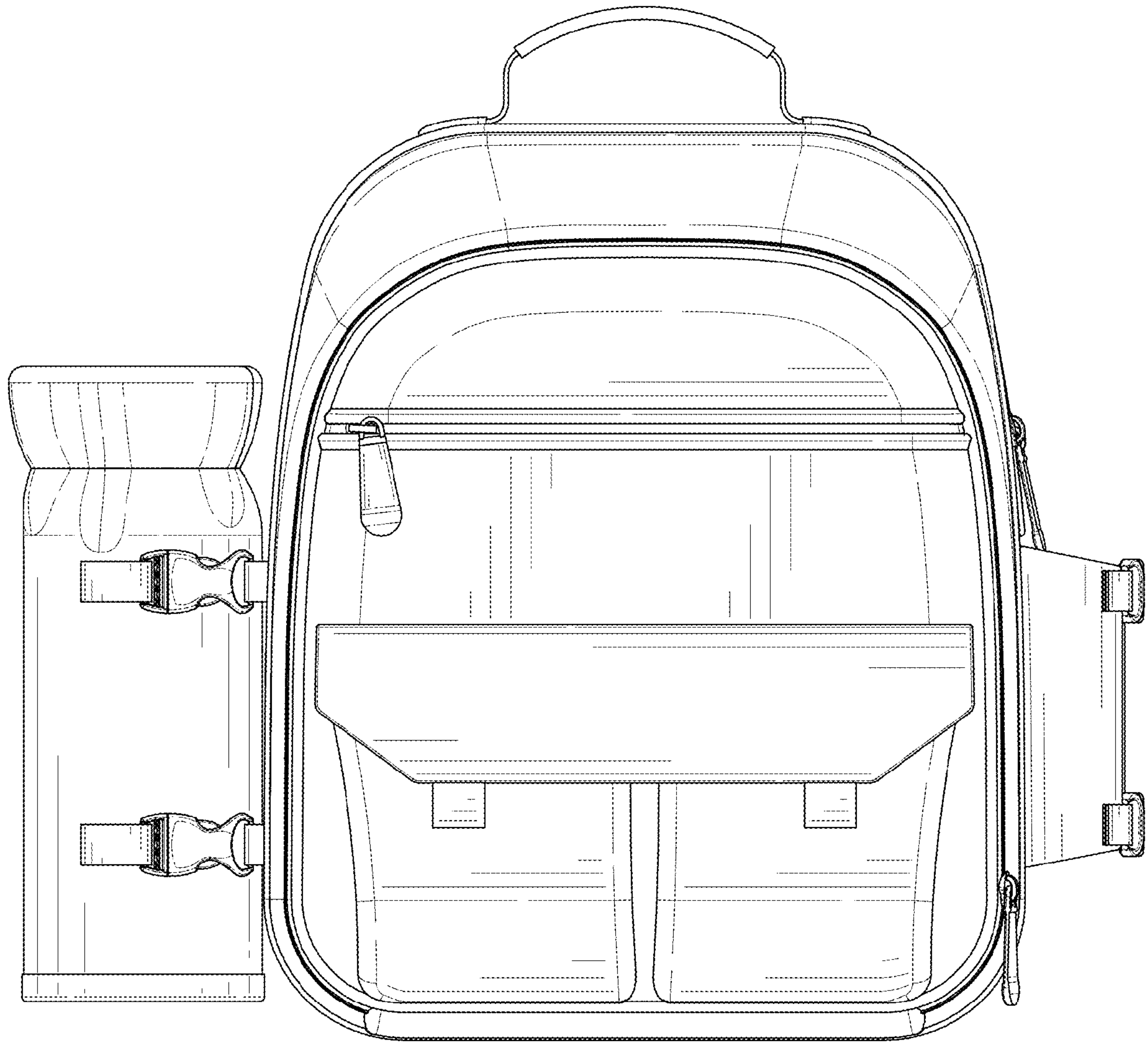


FIG. 3

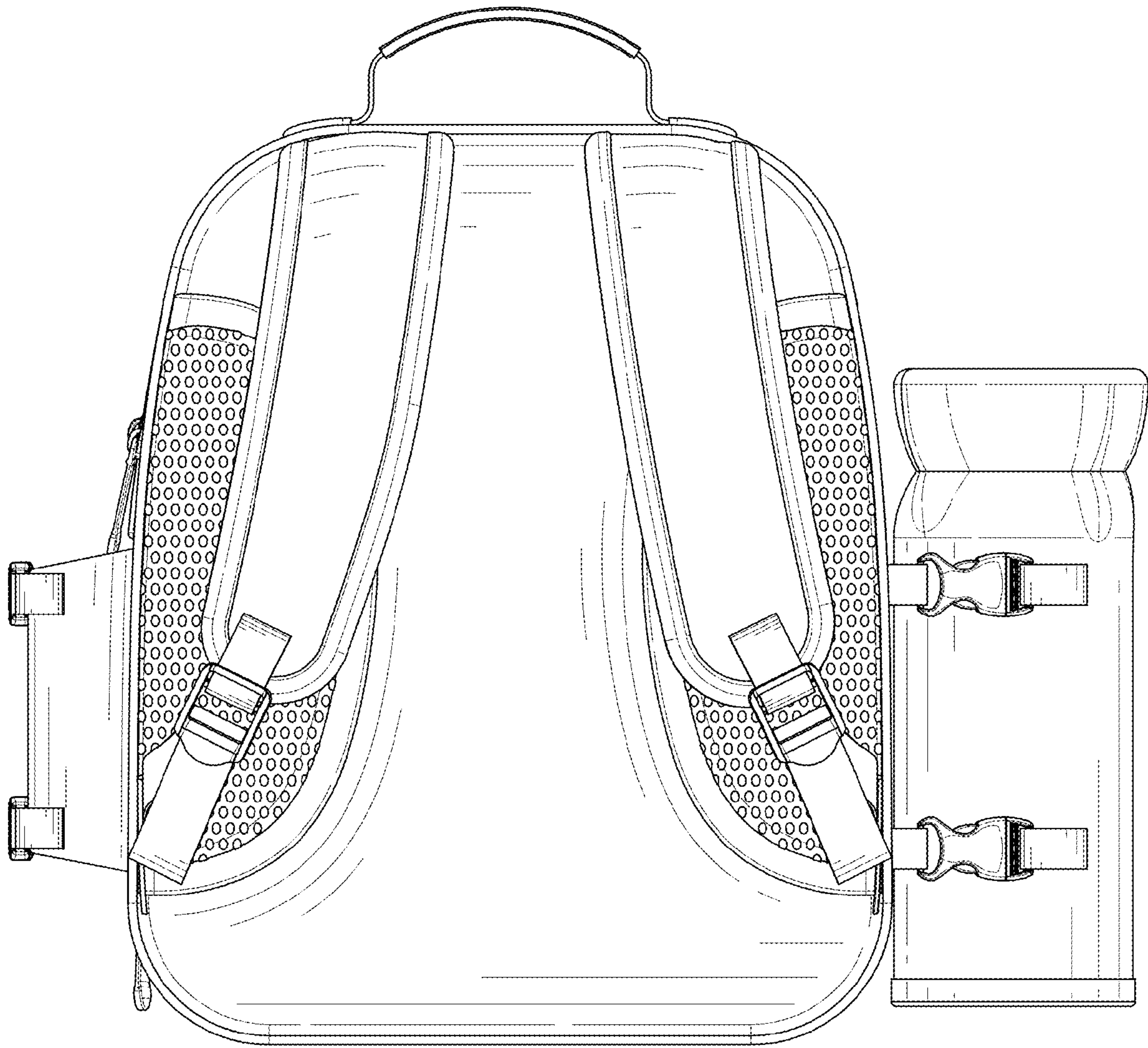


FIG. 4

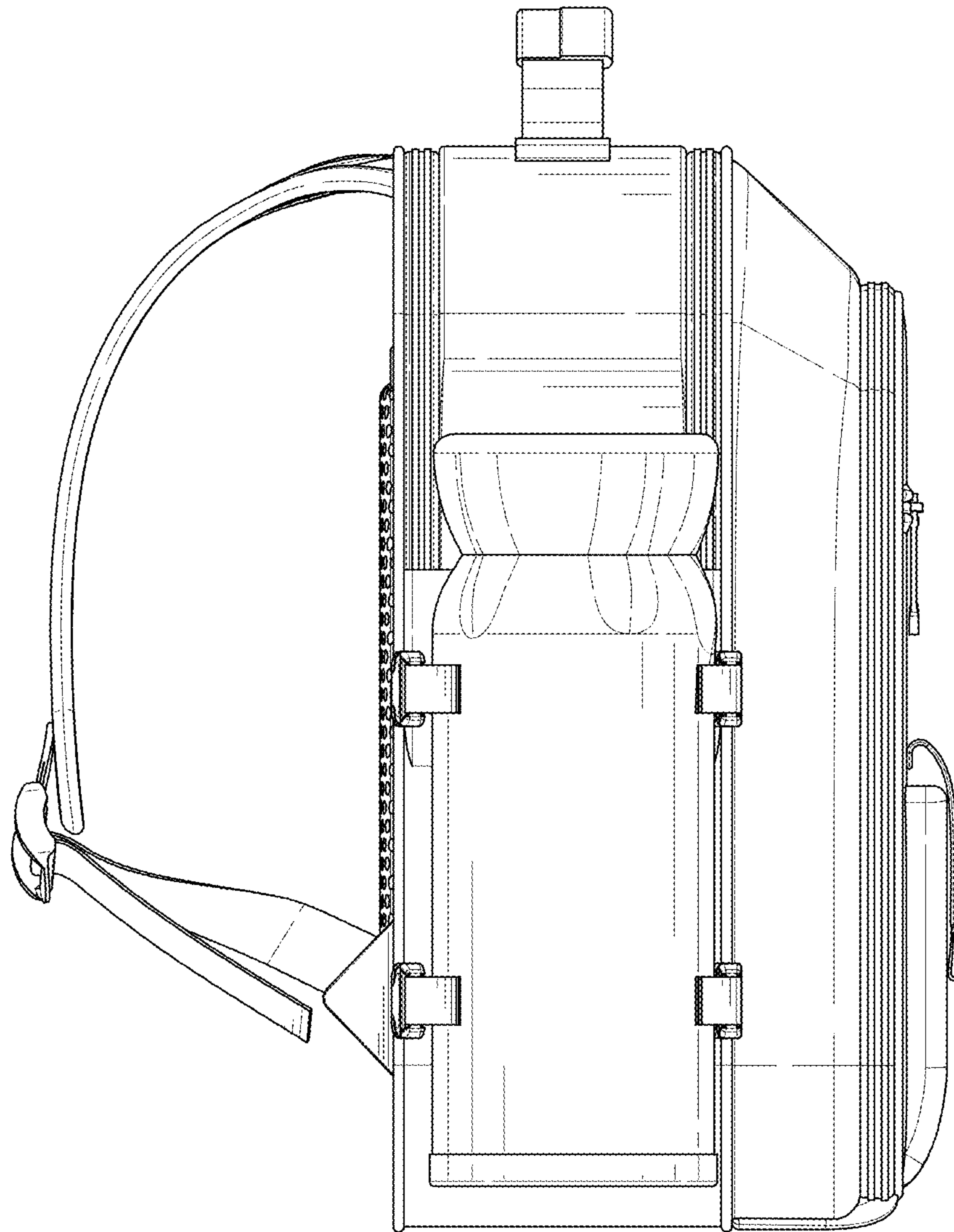


FIG. 5

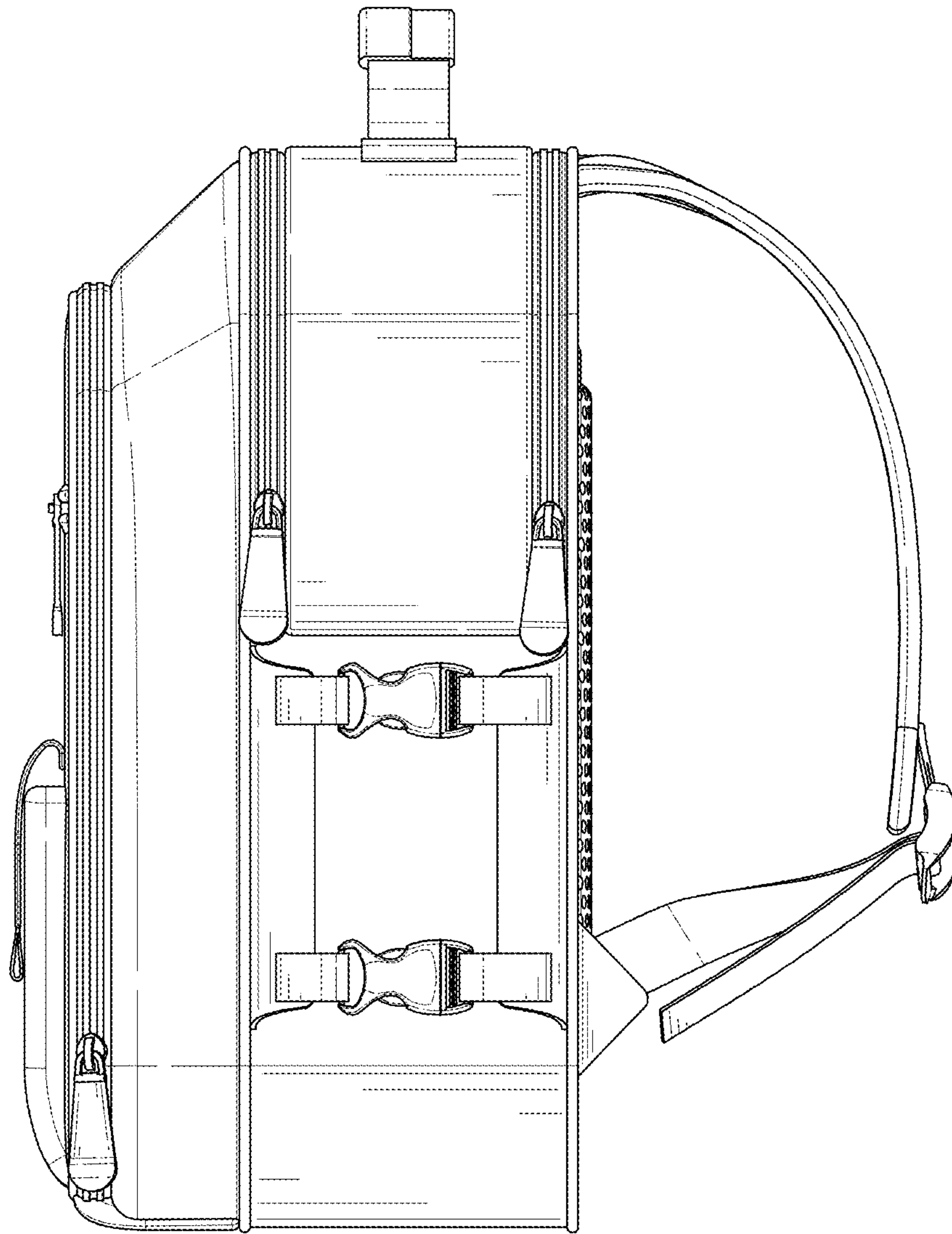


FIG. 6

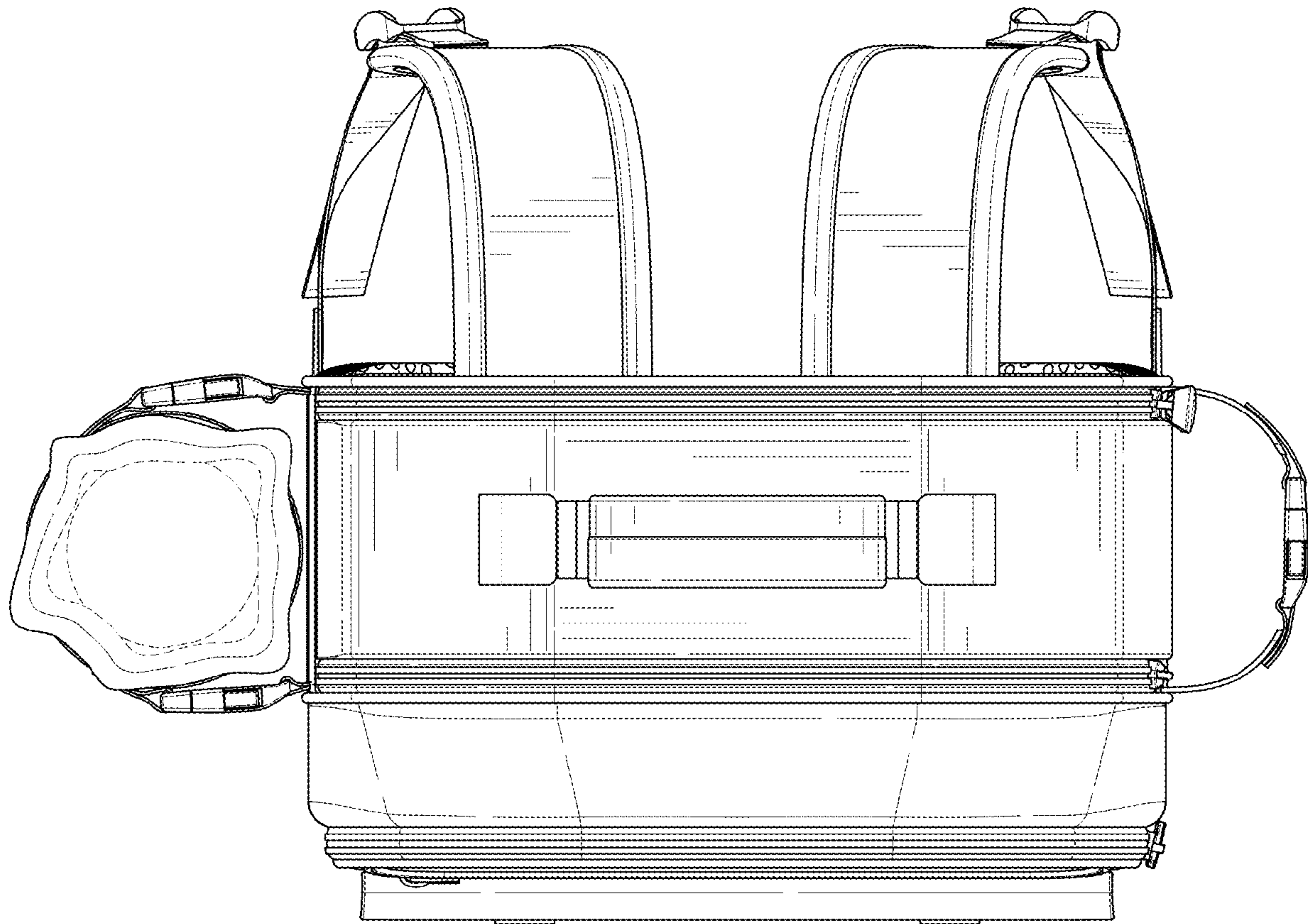


FIG. 7

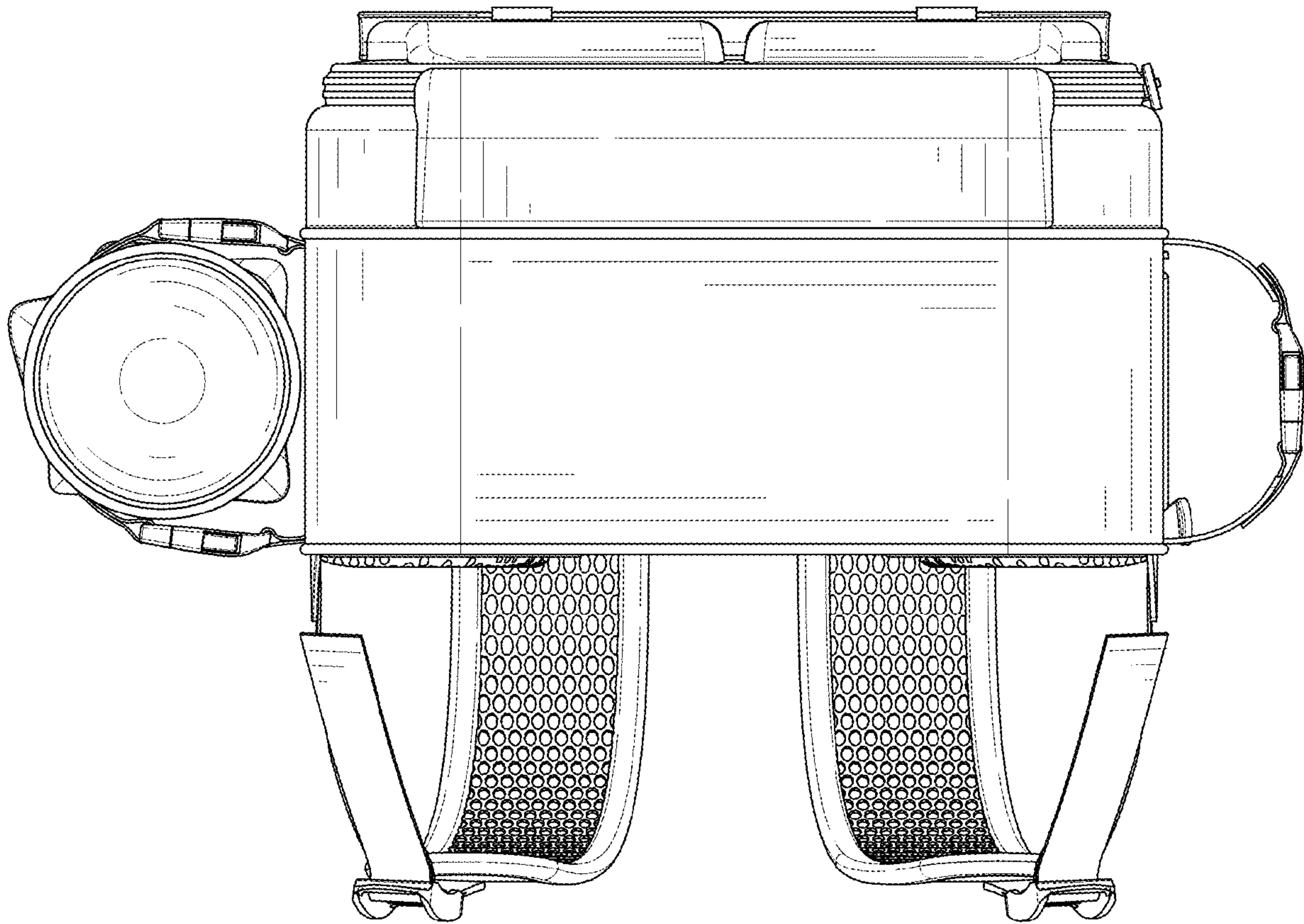


FIG. 8