



US00D889820S

(12) **United States Design Patent** (10) **Patent No.:** **US D889,820 S**  
**Vogel** (45) **Date of Patent:** **\*\* Jul. 14, 2020**

(54) **MODULAR KEY JACKET**  
(71) Applicant: **Frank Vogel LLC**, Boulder, CO (US)  
(72) Inventor: **Frank Vogel**, Boulder, CO (US)  
(\*\*) Term: **15 Years**  
(21) Appl. No.: **29/673,027**  
(22) Filed: **Dec. 11, 2018**  
(51) **LOC (12) Cl.** ..... **09-04**  
(52) **U.S. Cl.**  
USPC ..... **D3/207**  
(58) **Field of Classification Search**  
USPC .... D3/207, 208, 209, 210, 211, 212; D8/33,  
D8/34, 38  
CPC .. A44B 15/00; Y10T 70/8676; Y10T 24/1379  
See application file for complete search history.

10,138,655 B2 \* 11/2018 Borenstein ..... E05B 19/04  
D863,037 S \* 10/2019 Eriksson ..... D8/347  
D876,925 S \* 3/2020 Eriksson ..... D8/347  
2003/0037580 A1 2/2003 Blake

**FOREIGN PATENT DOCUMENTS**

WO 9717863 A1 5/1997

\* cited by examiner

*Primary Examiner* — Kevin K Rudzinski

*Assistant Examiner* — Amber J Rabie

(74) *Attorney, Agent, or Firm* — MP Patents, LLC

(57) **CLAIM**

The ornamental design for a modular key jacket, as shown and described.

**DESCRIPTION**

FIG. 1 is a perspective view of the modular key jacket holding an example key.

FIG. 2 is a front view thereof.

FIG. 3 is a rear view thereof.

FIG. 4 is a right-side view thereof.

FIG. 5 is a left-side view thereof.

FIG. 6 is a top view thereof.

FIG. 7 is a bottom view thereof.

FIG. 8 is a perspective view thereof shown in environmental use.

FIG. 9 is a rear view thereof shown in environmental use; and,

FIG. 10 is a rear view thereof shown in environmental use.

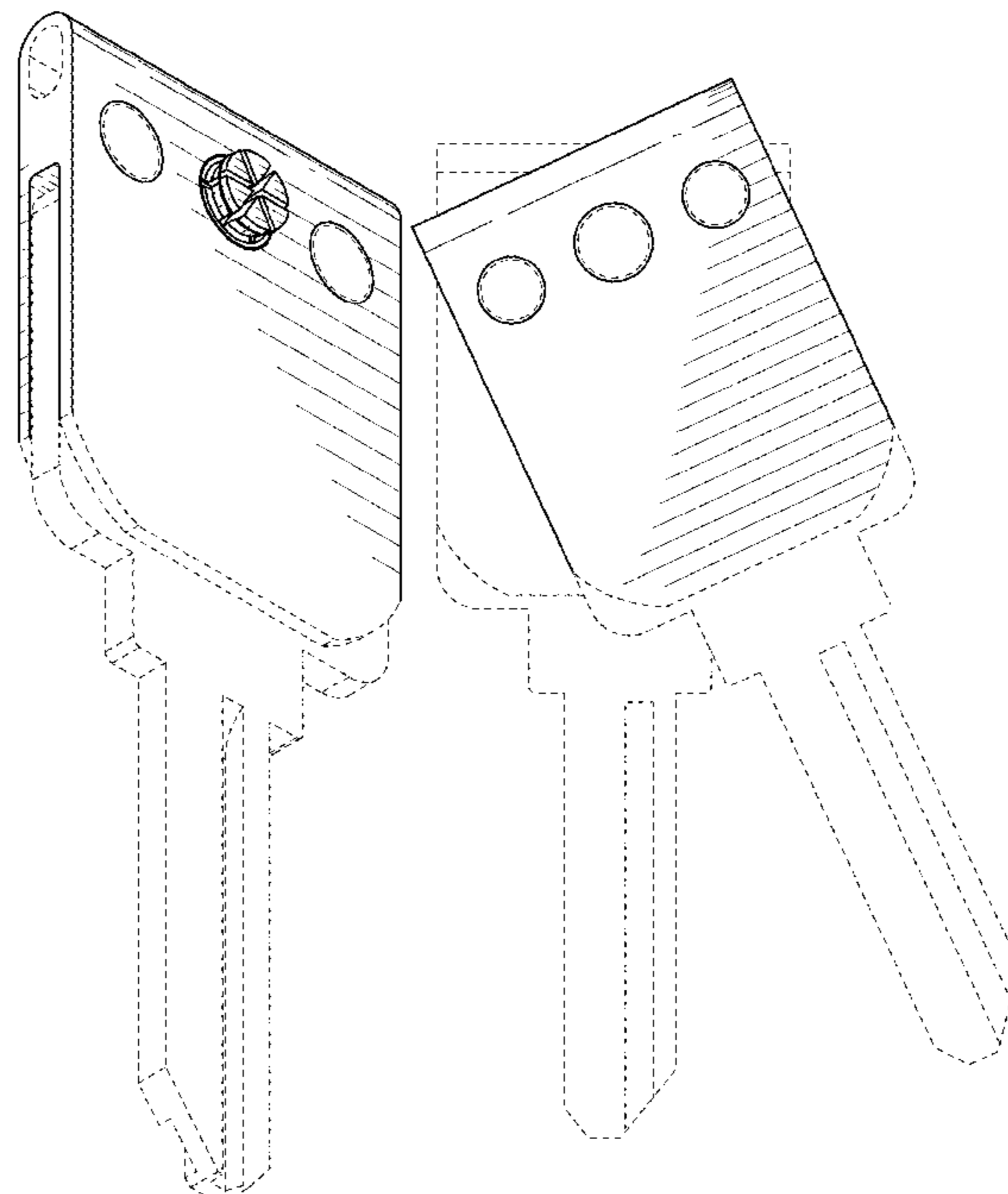
The broken lines shown in the Figures represent unclaimed subject matter and form no part of the claimed design.

(56) **References Cited**

**U.S. PATENT DOCUMENTS**

1,425,089 A \* 8/1922 Henry ..... A45F 5/02  
24/3.6  
1,794,498 A \* 3/1931 Ridgway ..... E05B 19/24  
40/330  
1,974,160 A \* 9/1934 Peirson ..... A44B 15/00  
70/458  
D133,144 S \* 7/1942 Struble ..... D3/212  
2,883,851 A \* 4/1959 Gold ..... A44B 15/00  
70/456 R  
3,267,534 A \* 8/1966 Dansereau ..... A45F 5/02  
24/3.1  
D241,539 S \* 9/1976 Iverson ..... D20/22  
7,047,776 B2 5/2006 Blake  
D570,196 S \* 6/2008 McKinnon ..... D8/347  
D702,527 S \* 4/2014 Yashar ..... D8/347  
D725,996 S \* 4/2015 Pellegrini ..... D8/347  
D802,079 S \* 11/2017 Lees ..... D22/118

**1 Claim, 5 Drawing Sheets**



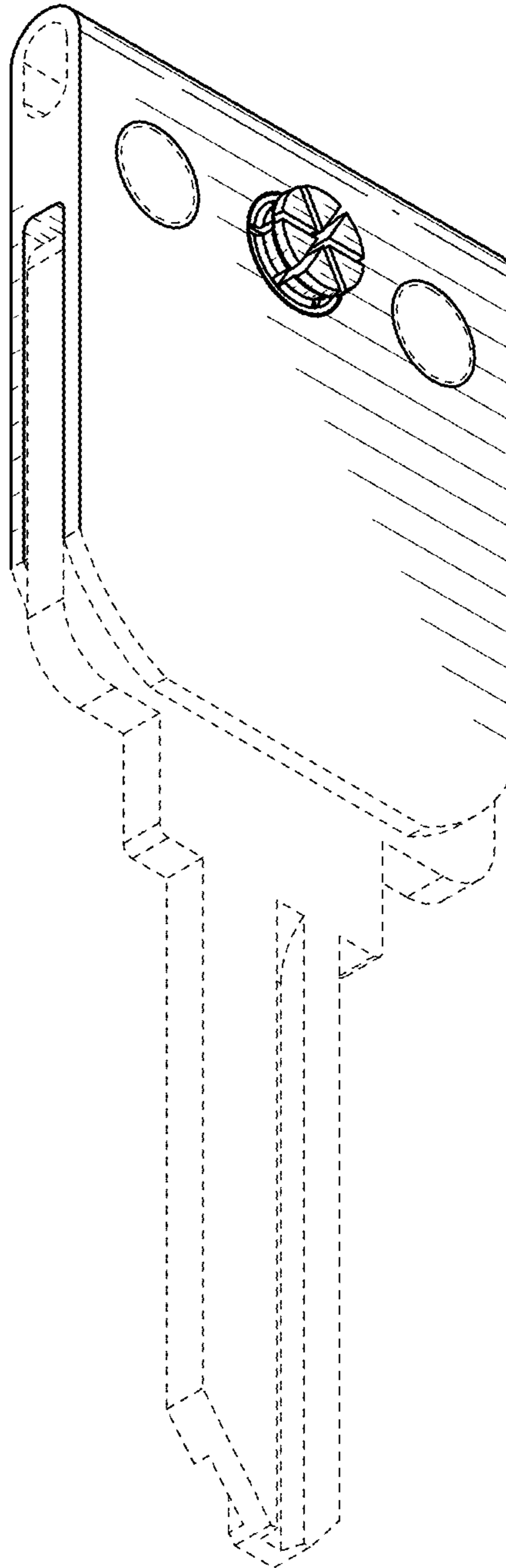


FIG. 1

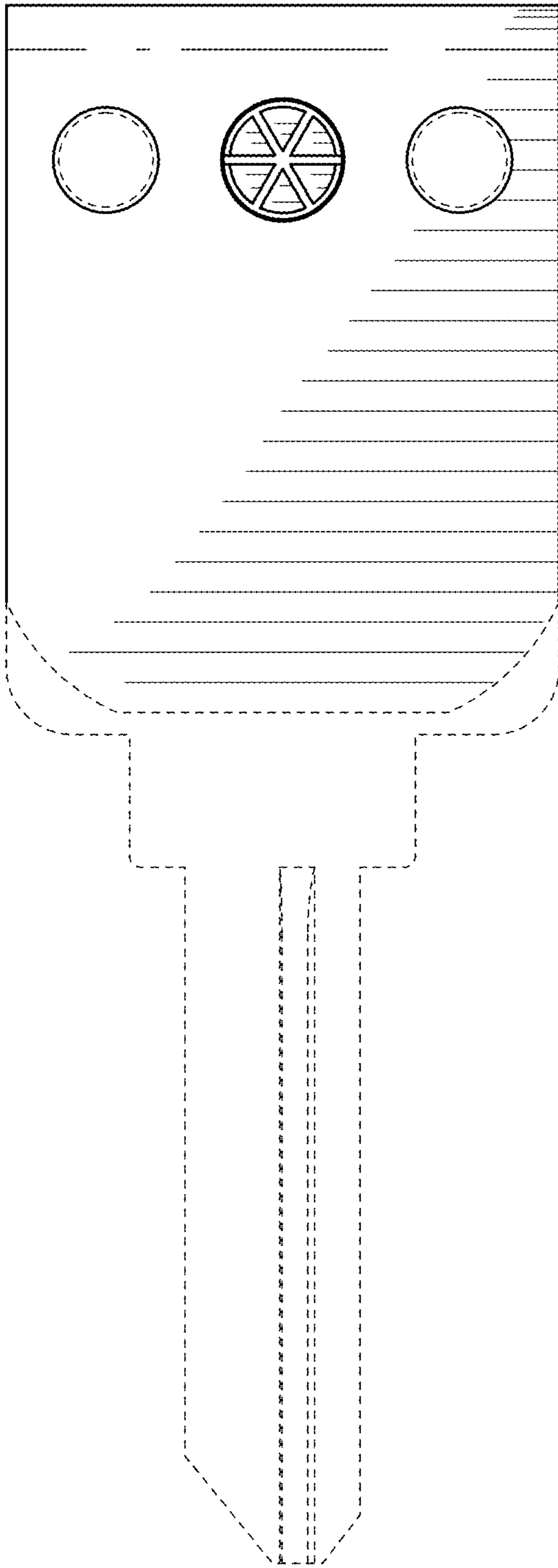


FIG. 2

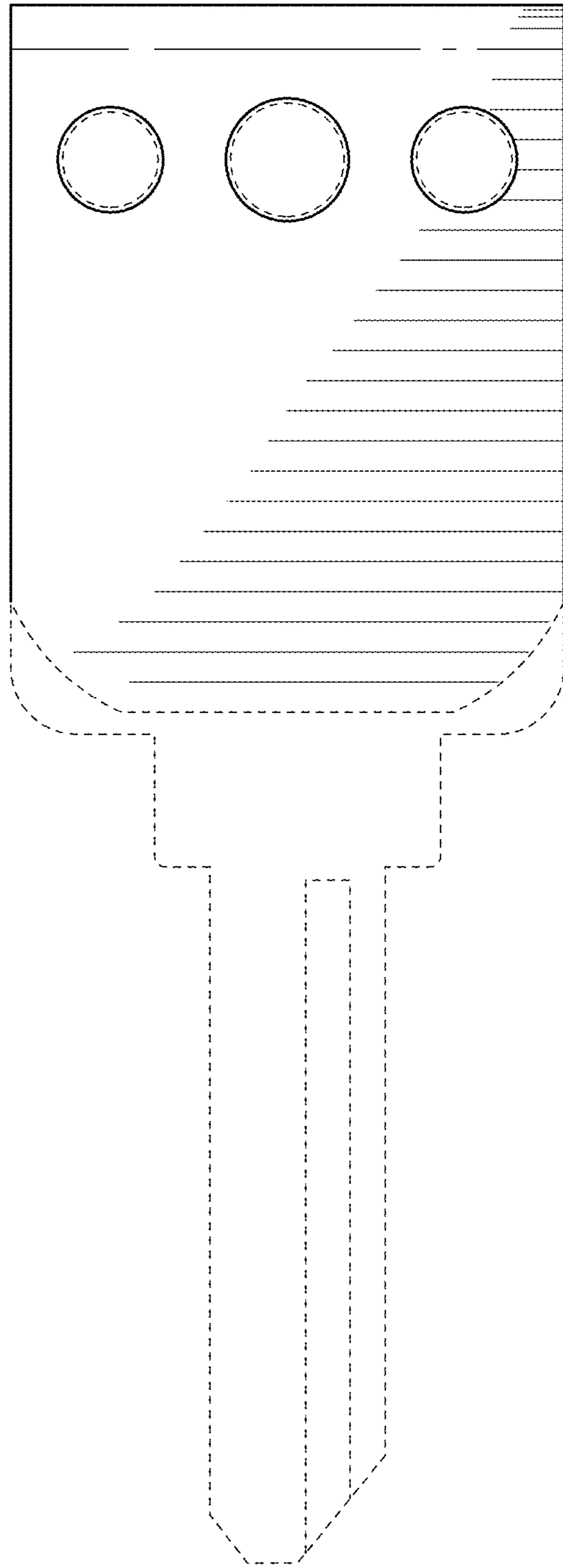


FIG. 3

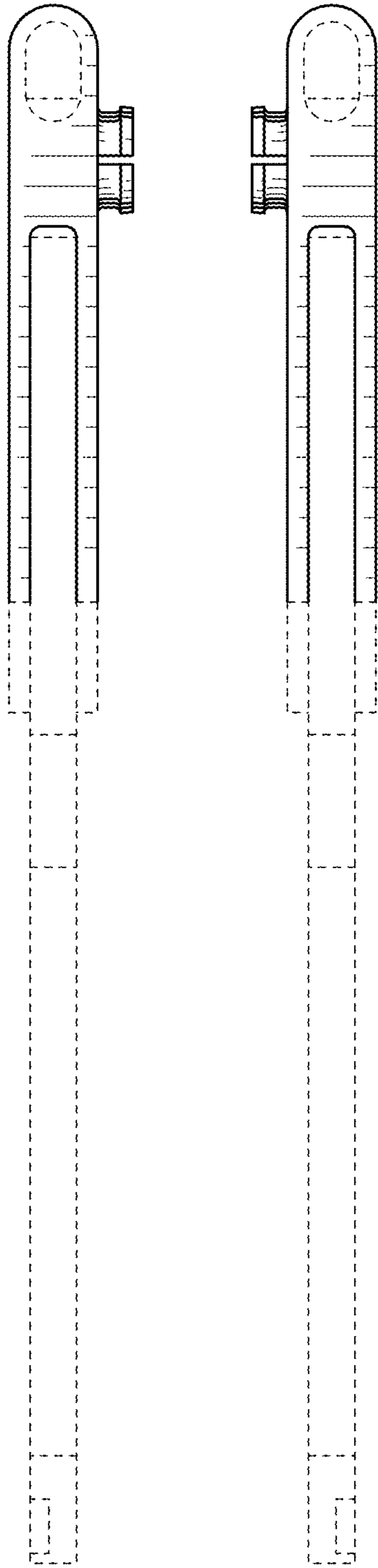


FIG. 4

FIG. 5

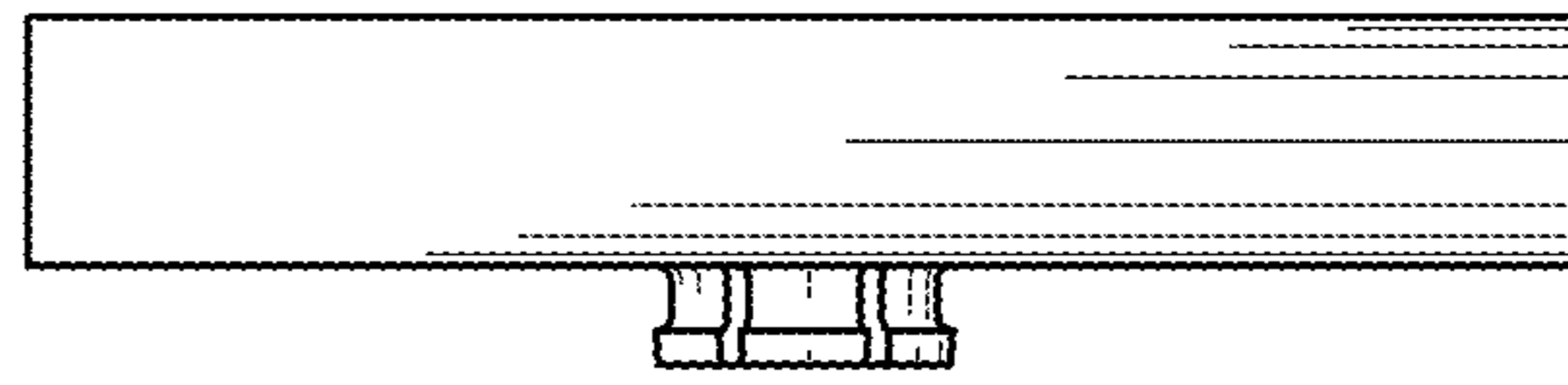


FIG. 6

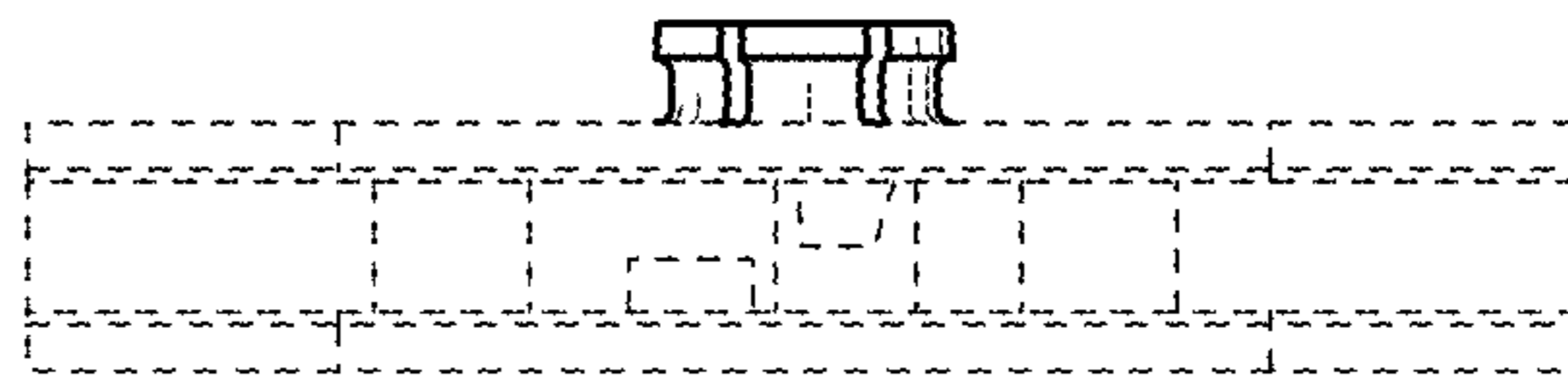


FIG. 7

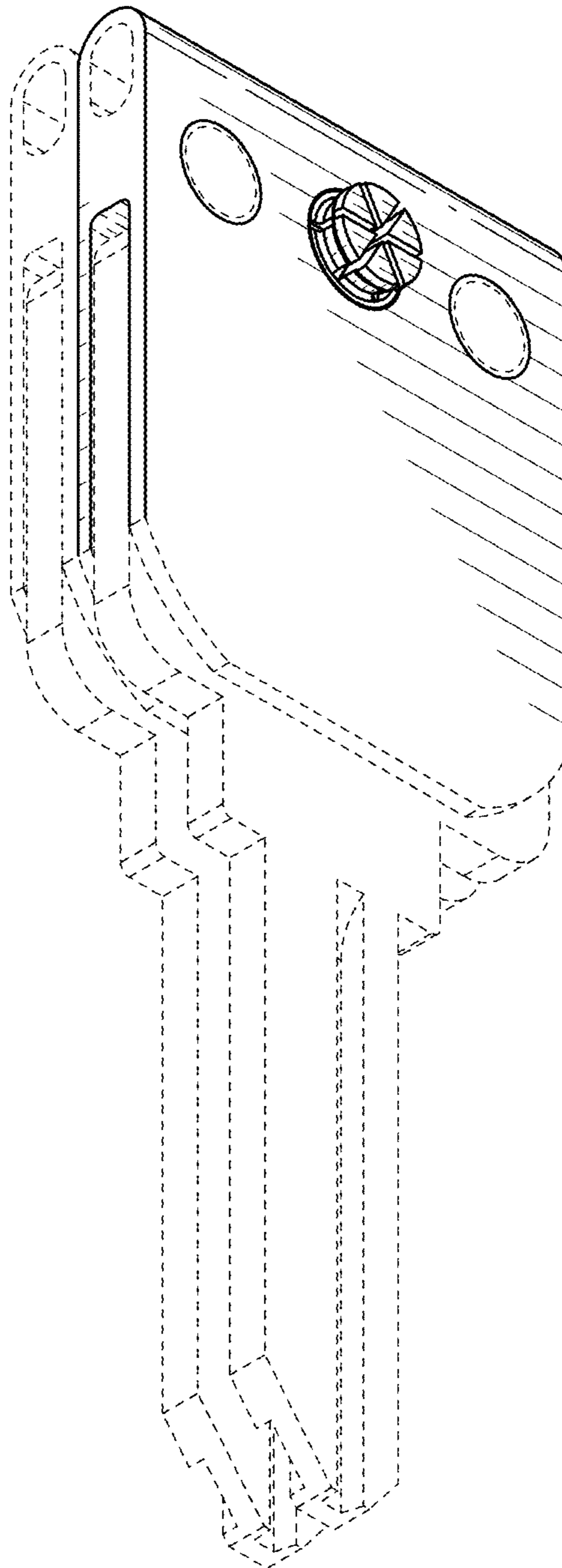


FIG. 8

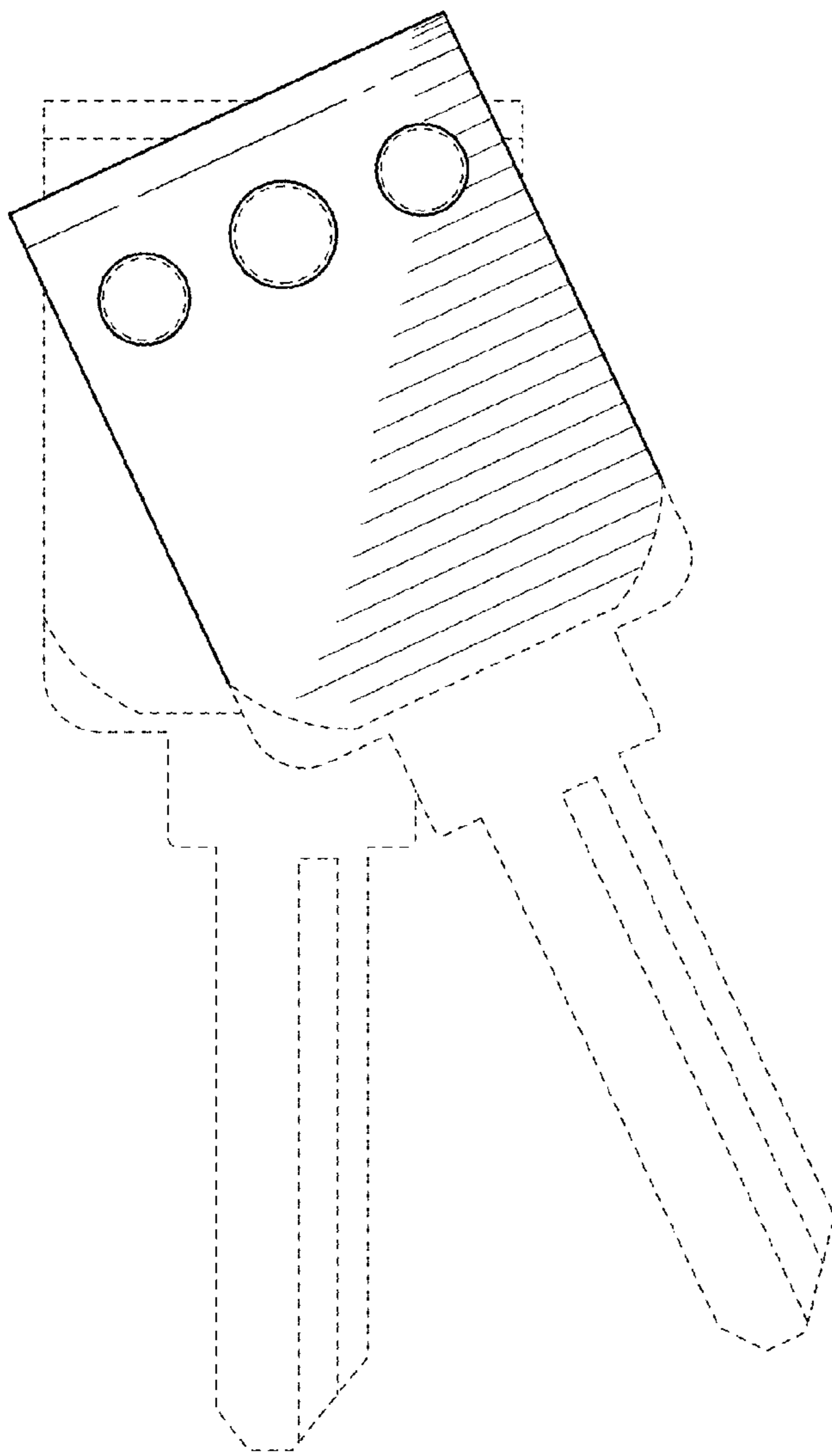


FIG. 9

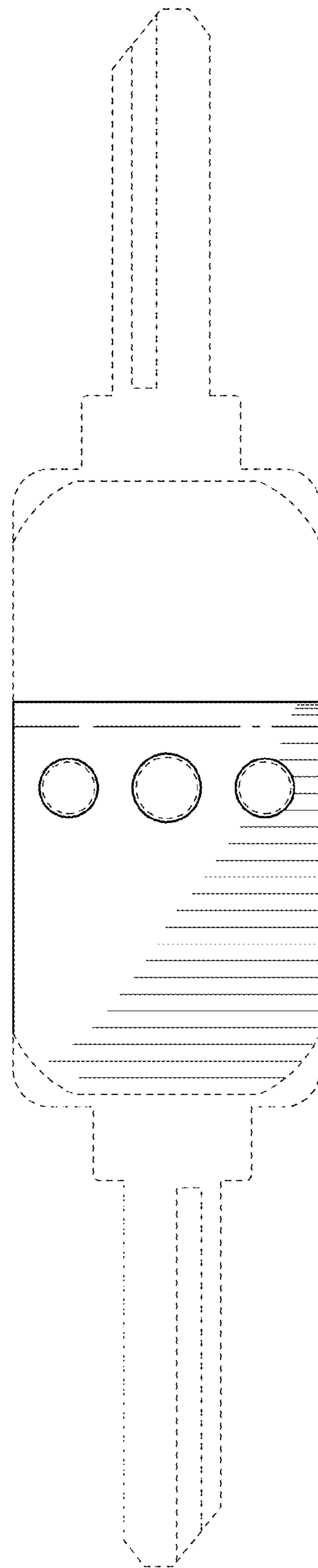


FIG. 10